

F 11

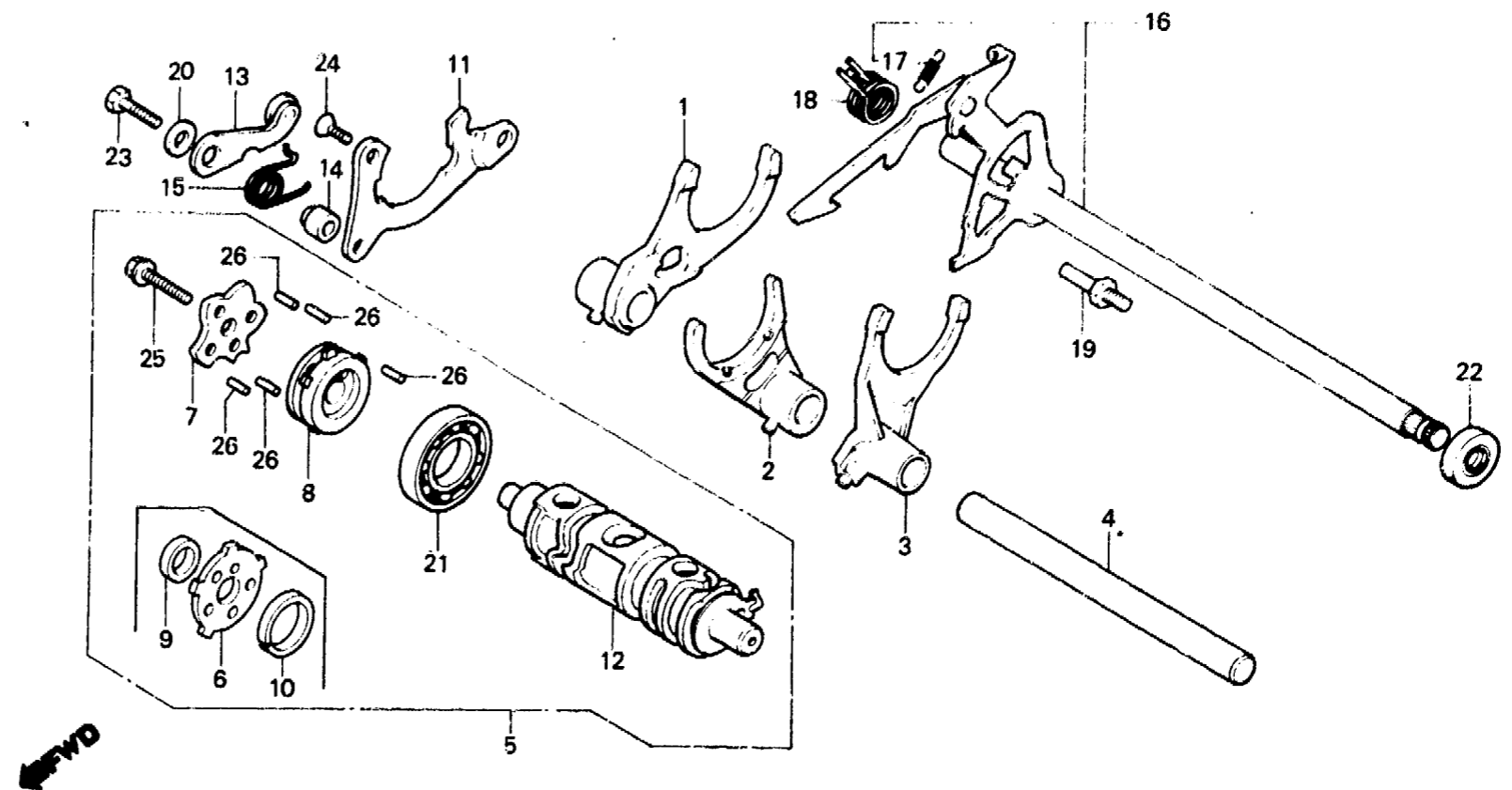
E-17

Gearshift drum

Tambour de changement de vitesse

Gangschaltwalze

Tambor de cambio



B425-140A

Service item	F.R.T.	Ref. No.	Part No.	Description	Reqd. No. CB750							Serial No.	Area code
					Fz	FA	Fb	Fc	F2c	Fd	F2d		
		11	24307-425-000	PLATE, GEARSHIFT DRUM SETTING	1	1	1	1	1	1	1		
		12	24310-425-000	DRUM COMP., GEARSHIFT			1	1					CM
		13	24430-413-000	STOPPER COMP., GEARSHIFT DRUM	1	1	1	1	1	1	1		
		14	24432-413-000	COLLAR, GEARSHIFT DRUM STOPPER	1								
			24432-425-000	COLLAR, GEARSHIFT DRUM STOPPER		1						2116069	
			24432-425-000	COLLAR, GEARSHIFT DRUM STOPPER		1	1	1	1	1	1	2116070	
		15	24435-425-000	SPRING, SHIFT DRUM STOPPER	1	1	1	1	1	1	1		
		16	24610-425-000	SPINDLE COMP., GEARSHIFT	1	1	1	1	1	1	1		
		17	24641-425-000	SPRING, GEARSHIFT ARM	1	1	1	1	1	1	1		
		18	24651-425-000	SPRING, GEARSHIFT RETURN	1	1	1	1	1	1	1		
		19	24652-259-000	PIN, SHIFT RETURN SPRING	1								
						1						2104347	CM

1982.09.20

E

F11

F 12

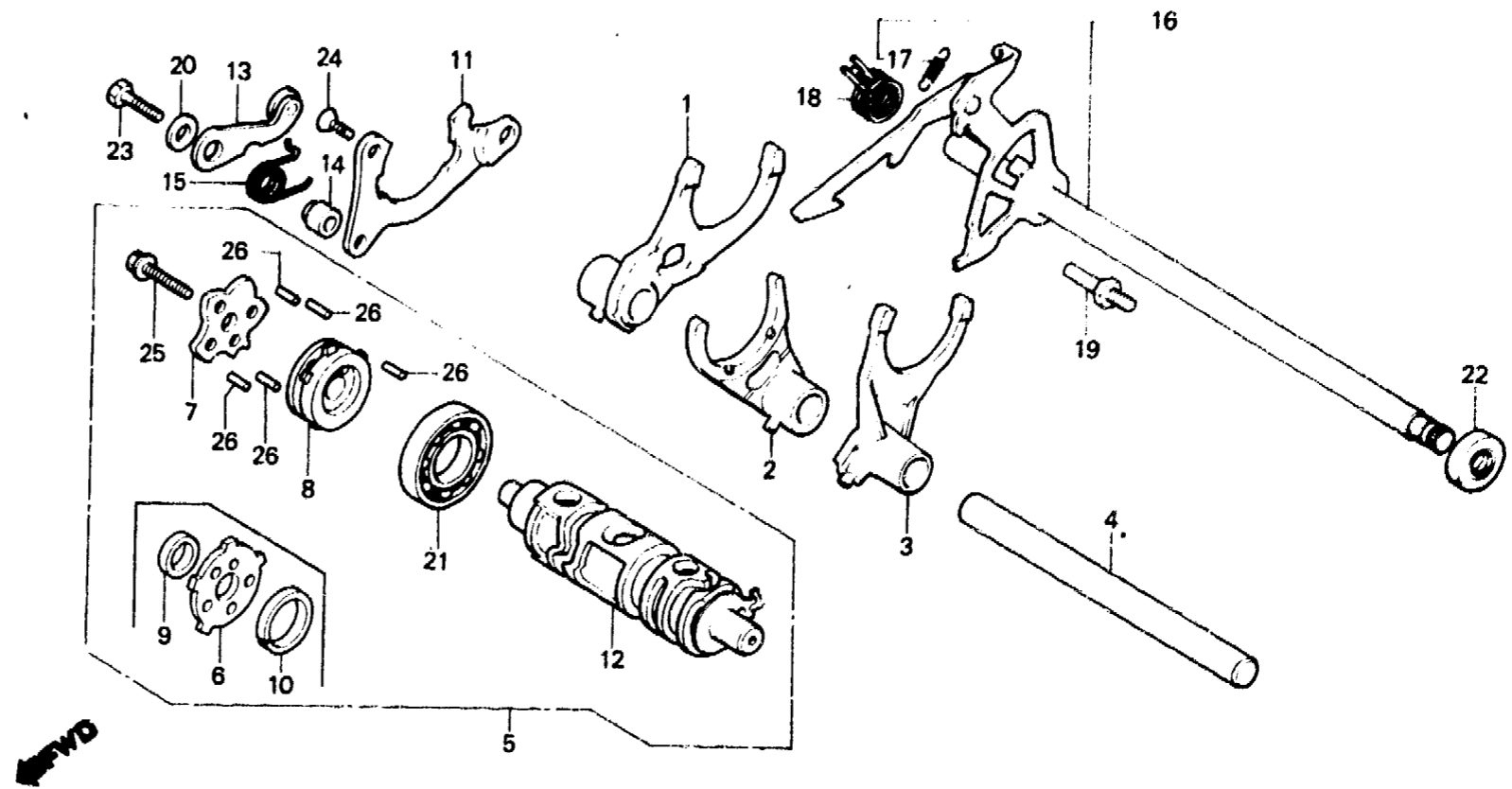
E-17

Gearshift drum

Tambour de changement de vitesse

Gangschaltwalze

Tambor de cambio



B425-140A

Service item	F.R.T.	Ref. No.	Part No.	Description	Reqd. No. CB750							Serial No.	Area code
					Fz	FA	Fa	Fc	F2c	Fd	F2d		
			24652-028-000	PIN, SHIFT RETURN SPRING		1						2104348	CM DK,DM,E,ED,F,G SA,U,IT CM
		20	90486-028-000	WASHER, SPARK ADVANCER SETTING	1	1	1	1	1	1	1		
		21	91008-374-003	BEARING, BALL, 16005 (TOYO)	1	1	1	1	1	1	1		
		22	91204-350-003	OIL SEAL, 12.5X25X8		1	1						
			91204-425-003	OIL SEAL, 12.5X25X8				1	1	1	1		
		23	92000-06028	BOLT, HEX., 6X28	1								
			92200-06028	BOLT, HEX., 6X28		1						2116070	2116069
		24	93600-06014	SCREW, FLAT, 6X14	1	1	1	1	1	1	1		
		25	95725-06025-00	BOLT, FLANGE, 6X25	1	1	1	1	1	1	1		
		26	96220-40118	ROLLER, 4X11.8	5	5	5	5	5	5	5		

1982.09.20

E

F12

F 13

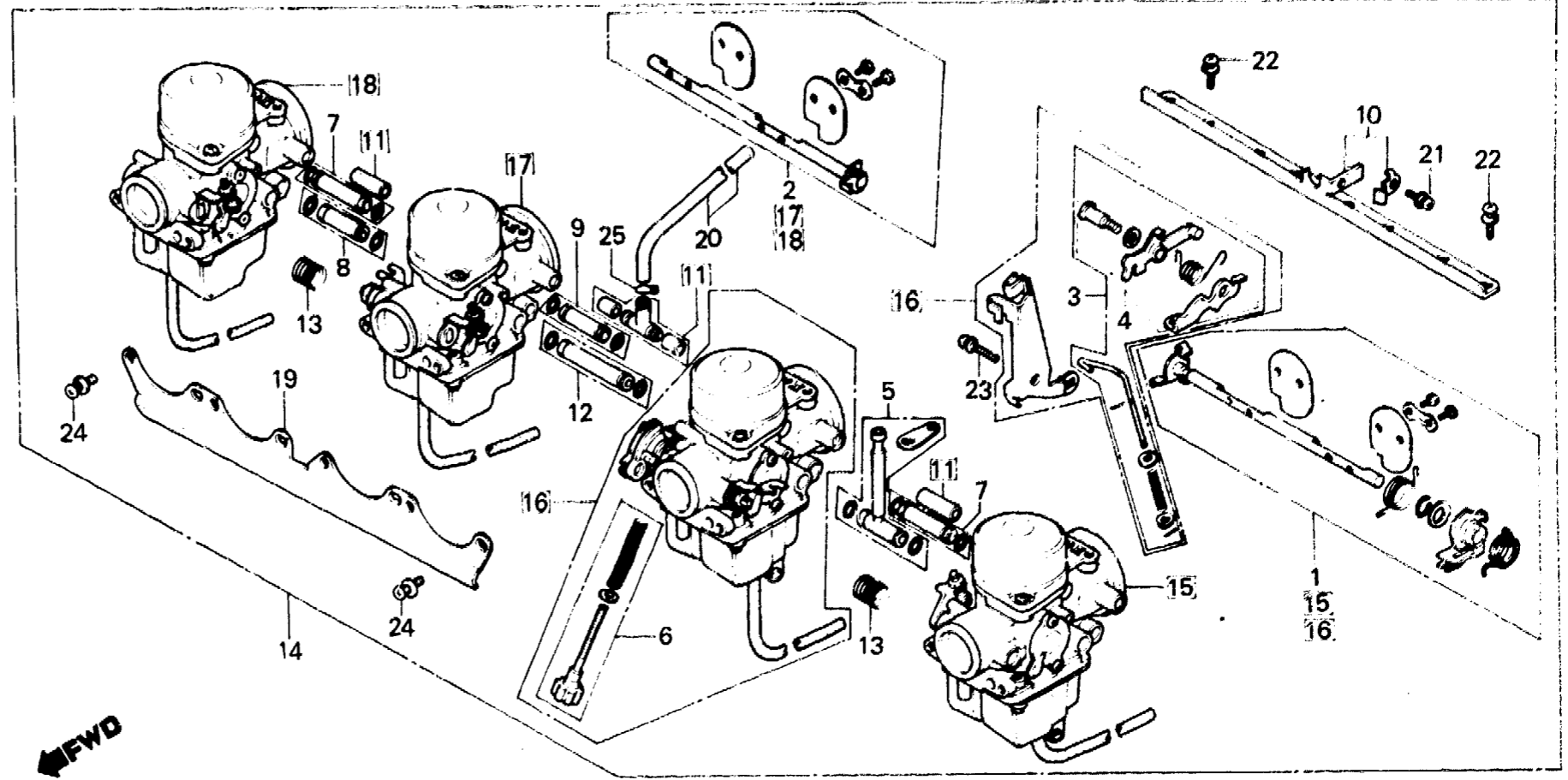
E-18

**Carburetor
(Assy-Link)**

**Carburateur
(Ens. Tringlerie)**

**Vergaser
(Kompl.-Gestänge)**

**Carburador
(Ens. Articulación)**



B425-18

Service item	F.R.T.	Ref. No.	Part No.	Description	Reqd. No. CB750							Serial No.	Area code
					F	FA	Fa	Fc	F2c	Fp	F2p		
LINK SET CHOKE (ADD 0.2 FOR EACH.)	1.6	1	16017-425-305	LINK SET A, CHOKE	1	1	1	1					CM DK,DM,E,ED,F,G SA,U,IT
			16017-425-405	LINK SET A, CHOKE		1	1	1	1	1	1		
JOINT SET FUEL (WHEN SERVICING COMP., UNIT, F.R.T. IS 1.8.)		2	16018-425-305	LINK SET B, CHOKE	1	1	1	1					CM DK,DM,E,ED,F,G SA,U,IT
			16018-425-405	LINK SET B, CHOKE		1	1	1	1	1	1		
CARBURETOR ASSY. 1 (ADD 0.4 FOR EACH.)	0.4	3	16019-425-671	ROD SET, PUMP	1								CM DK,DM,E,ED,F,G SA,U,IT
			16019-425-672	ROD SET, PUMP		1	1	1					
PLATE SET, RR, STAY	1.2	4	16020-425-602	ARM SET, LINK		1	1	1	1	1	1		
JOINT SET E, FUEL	0.8	5	16027-425-671	JOINT SET A, FUEL	1	1							
			16027-MA4-671	JOINT SET A, FUEL			1	1	1	1	1	1	
CARBURETOR ASSY.		6	16028-425-671	SCREW SET B	1	1	1	1	1	1	1		CM
			16031-425-671	JOINT SET B, FUEL	2	2	2	2					
		7	16031-425-671	JOINT SET B, FUEL									
		8	16033-425-671	JOINT SET C, FUEL	1	1	1	1	1	1	1		
		9	16034-425-671	JOINT SET D, FUEL	1	1	1	1	1	1	1		
		10	16035-425-671	PLATE SET, RR, STAY	1	1	1	1	1	1	1		

F 14

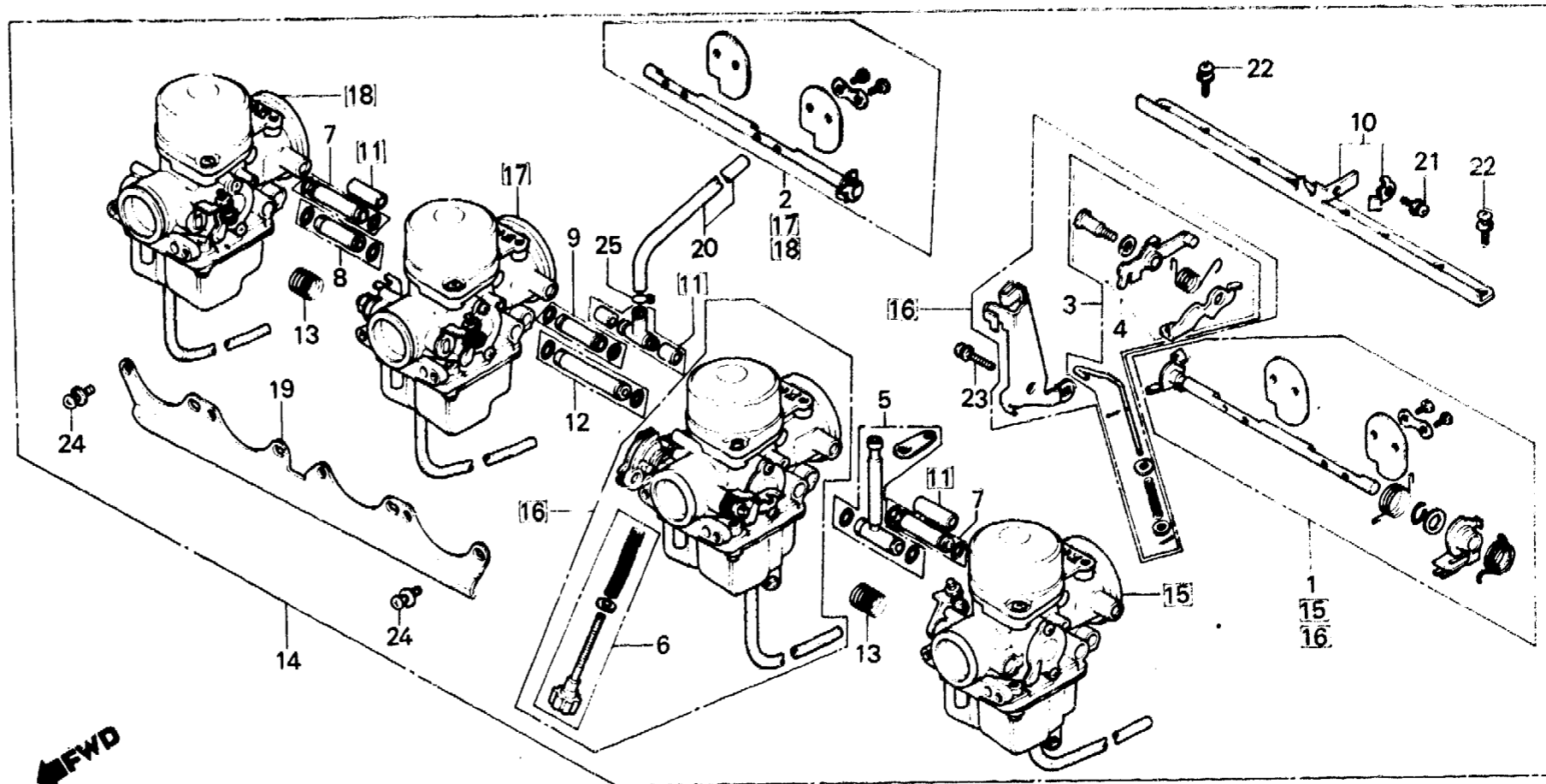
E-18

**Carburetor
(Assy-Link)**

**Carburateur
(Ens. Tringlerie)**

**Vergaser
(Kompl.-Gestänge)**

**Carburador
(Ens. Articulación)**



B425-18

Service item	F.R.T.	Ref. No.	Part No.	Description	Reqd. No. CB750							Serial No.	Area code
					Fz	Fa	Fb	Fc	F2c	Fo	F2o		
		11	16036-425-671	JOINT SET, THREE WAY	1	1	1	1	1	1	1		
		12	16037-425-671	JOINT SET E, FUEL	1	1	1	1	1	1	1		
		13	16051-413-004	SPRING, COMPRESSION COIL	2	2	2	2	2	2	2		
		14	16100-445-003	CARBURETOR ASSY.	1								
			16100-425-603	CARBURETOR ASSY.		1							DK,DM,E,ED,F,G SA,U,IT
			16100-445-721	CARBURETOR ASSY.		1							CM
			16100-MA5-601	CARBURETOR ASSY.			1	1	1	1	1		DK,DM,E,ED,F,G SA,U
			16100-445-731	CARBURETOR ASSY.			1						CM
			16100-445-733	CARBURETOR ASSY.				1					CM
		15	16101-445-305	CARBURETOR ASSY. 1	1								
			16101-425-425	CARBURETOR ASSY. 1		1							DK,DM,E,ED,F,G SA,U,IT
			16101-445-405	CARBURETOR ASSY. 1		1							CM
			16101-MA5-305	CARBURETOR ASSY. 1			1	1	1	1	1		DK,DM,E,ED,F,G SA,U
			16101-445-415	CARBURETOR ASSY. 1			1						CM
			16101-445-435	CARBURETOR ASSY. 1				1					CM

1982.09.20

E

F14

F 15

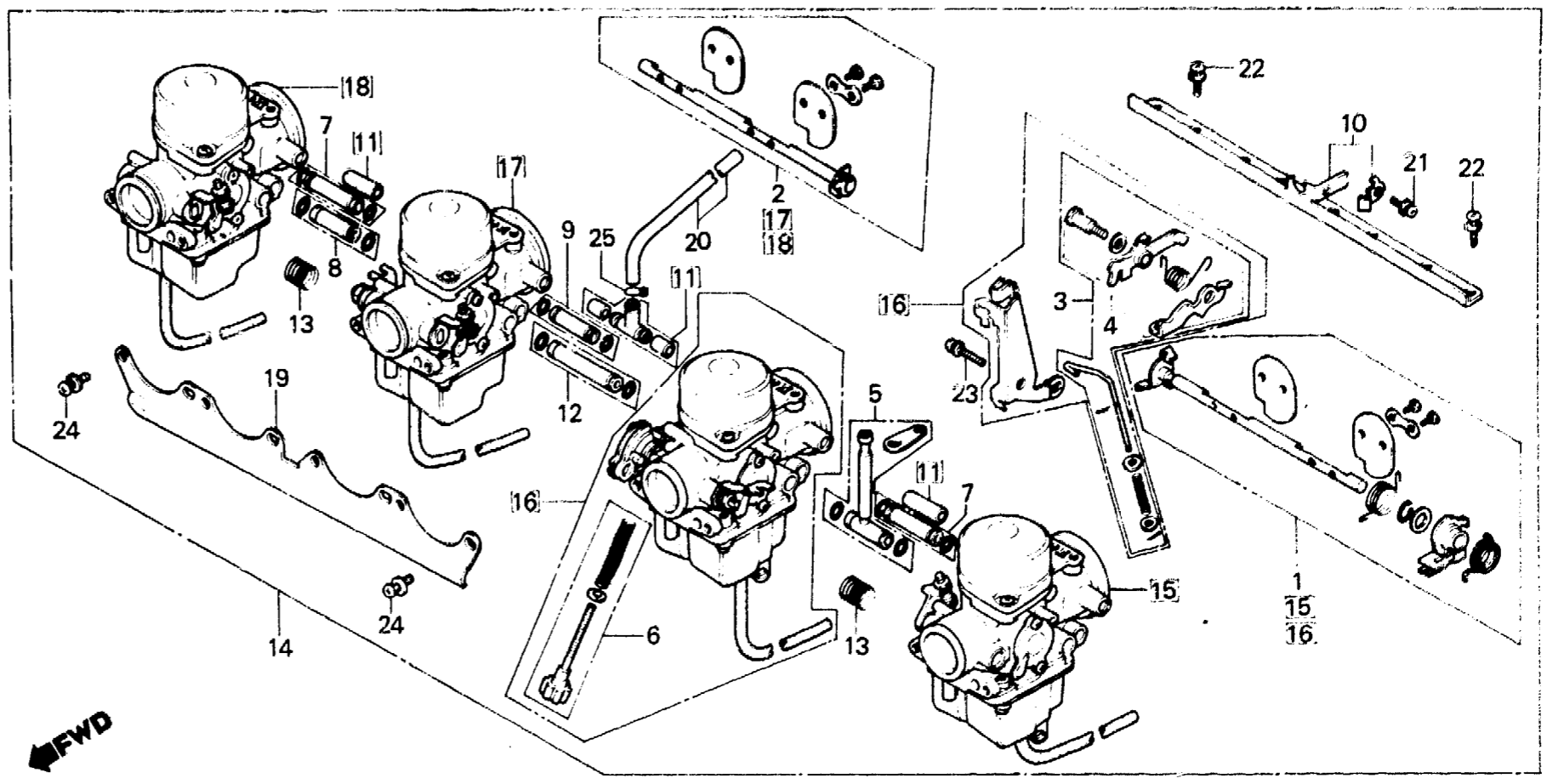
E-18

**Carburetor
(Assy-Link)**

**Carburateur
(Ens. Tringlerie)**

**Vergaser
(Kompl.-Gestänge)**

**Carburador
(Ens. Articulación)**



B425-18

Service item	F.R.T.	Ref. No.	Part No.	Description	Reqd. No. CB750							Serial No.	Area code
					Fz	Fa	Fb	Fc	F2c	Fd	F2d		
		16	16102-445-305	CARBURETOR ASSY. 2	1								DK,DM,E,ED,F,G
			16102-425-425	CARBURETOR ASSY. 2		1							SA,U
			16102-445-405	CARBURETOR ASSY. 2		1							CM
			16102-MA5-305	CARBURETOR ASSY. 2			1	1	1	1	1		DK,DM,E,ED,F,G
			16102-445-415	CARBURETOR ASSY. 2			1						SA,U,IT
			16102-445-435	CARBURETOR ASSY. 2				1					CM
		17	16103-445-305	CARBURETOR ASSY. 3	1								DK,DM,E,ED,F,G
			16103-425-425	CARBURETOR ASSY. 3		1							SA,U
			16103-445-405	CARBURETOR ASSY. 3		1							CM
			16103-MA5-305	CARBURETOR ASSY. 3			1	1	1	1	1		DK,DM,E,ED,F,G
			16103-445-415	CARBURETOR ASSY. 3			1						SA,U,IT
			16103-445-435	CARBURETOR ASSY. 3				1					CM
		18	16104-445-305	CARBURETOR ASSY. 4	1								DK,DM,E,ED,F,G
			16104-425-425	CARBURETOR ASSY. 4		1							SA,U
			16104-445-405	CARBURETOR ASSY. 4		1							CM

F 16

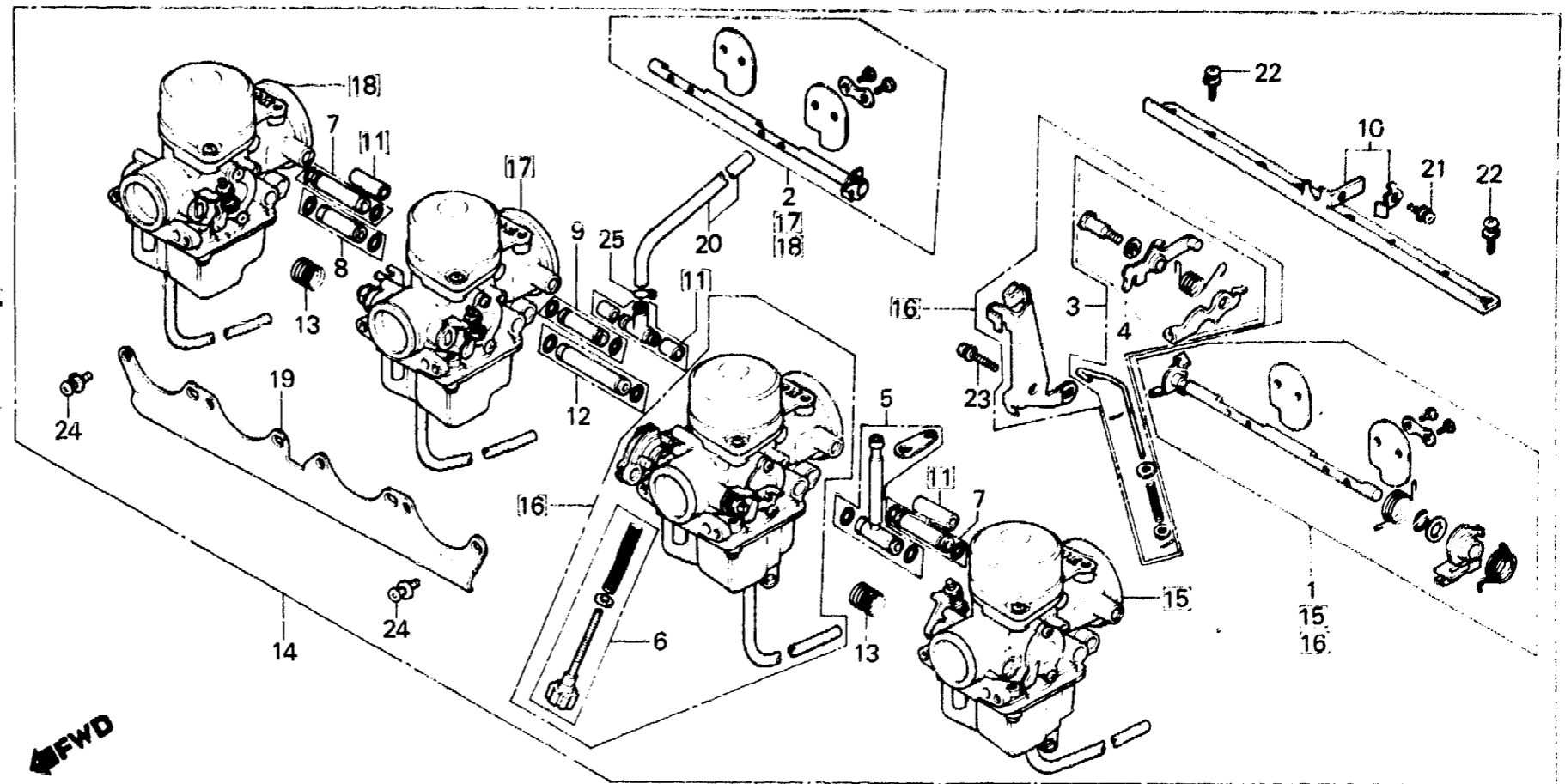
E-18

**Carburetor
(Component parts)**

**Carburateur
(Ens. Tringlerie)**

**Vergaser
(Kompl.-Gestänge)**

**Carburador
(Ens. Articulación)**



B425-18

Service item	F.R.T.	Ref. No.	Part No.	Description	Reqd. No. CB750							Serial No.	Area Code
					Fz	FA	Fb	Fc	F2c	Fd	F2d		
			16104-MA5-305	CARBURETOR ASSY. 4			1	1	1	1	1		DK,DM,E,ED,F,G SA,U,IT
			16104-445-415	CARBURETOR ASSY. 4				1					CM
			16104-445-435	CARBURETOR ASSY. 4				1					CM
		19	16119-425-671	PLATE, STAY	1								
			16119-425-672	PLATE, STAY		1	1	1	1	1	1		
		20	16199-425-671	TUBE, FUEL	1	1	1	1	1	1	1		
		21	93892-04012-00	SCREW-WASHER, 4X12	1	1	1	1	1	1	1		
		22	93892-05012-00	SCREW-WASHER, 5X12	8	8	8	8	8	8	8		
		23	93892-05016-00	SCREW-WASHER, 5X16	1	1	1	1	1	1	1		
		24	93892-06014-00	SCREW-WASHER, 6X14	8	8	8	8	8	8	8		CM
			93892-06016-00	SCREW-WASHER, 6X16		8	8	8	8	8	8		DK,DM,E,ED,F,G SA,U,IT
		25	95002-02080	CLIP B8, TUBE	1	1	1	1	1	1	1		

G 1

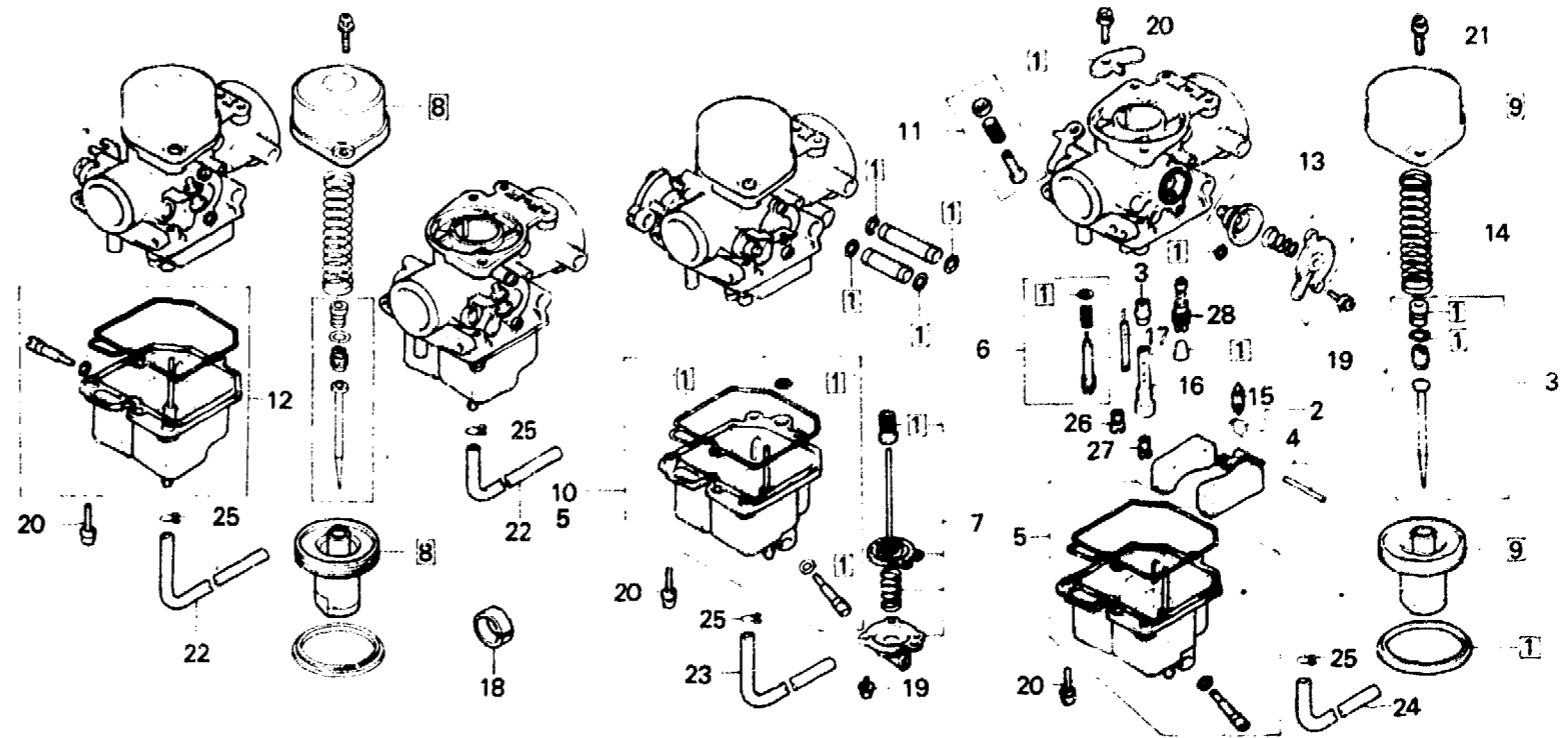
E-18-1

**Carburetor
(Component parts)**

**Carburateur
(Pièces composantes)**

**Vergaser
(Einzelteil)**

**Carburador
(Piezas componentes)**



E-25-117B

Service item	F.R.T.	Ref. No.	Part No.	Description	Reqd. No. CB750							Serial No.	Area code
					Fz	FA	Fb	Fc	F2c	Fd	F2d		
PACKING SET (ADD 0.4 FOR EACH.)	2.0	1	16010-425-601	PACKING SET		4	4	4	4	4	4		DK,DM,E,ED,F,G SA,U,IT
VALVE SET, FLOAT (ADD 0.2 FOR EACH.)	1.1	2	16011-382-004	VALVE SET, FLOAT	4	4	4	4					CM
FLOAT SET (ADD 0.2 FOR EACH.)		3	16012-425-601	NEEDLE SET, JET		4	4	4	4	4	4		DK,DM,E,ED,F,G SA,U,IT
NEEDLE SET, JET (ADD 0.2 FOR EACH.)	1.0		16012-425-671	NEEDLE SET, JET	4								CM
CHAMBER SET, FLOAT (L. SIDE 0.3)	0.2	4	16013-679-005	FLOAT SET	4								CM
PISTON SET, VACUUM			16013-413-751	FLJAT SET		4	4	4	4	4	4		CM
VALVE SET, AIR CUT	0.1	5	16015-413-004	CHAMBER SET, FLOAT	1	1	1	1	1	1	1		DK,DM,E,ED,F,G SA,U,IT
JET, PRIMARY MAIN, (ADD 0.2 FOR EACH.)	0.5					2	2	2	2	2	2		CM
		6	16016-410-601	SCREW SET A	4								DK,DM,E,ED,F,G SA,U,IT
			16016-385-681	SCREW SET A		4	4	4					CM
		7	16021-679-005	DIAPHRAGM SET, PUMP	1	1	1	1					CM
		8	16022-413-014	PISTON SET, VACUUM	2								CM
			16044-425-771	PISTON SET, VACUUM		2	2	2	2	2	2		

1982.09.20

E

G1



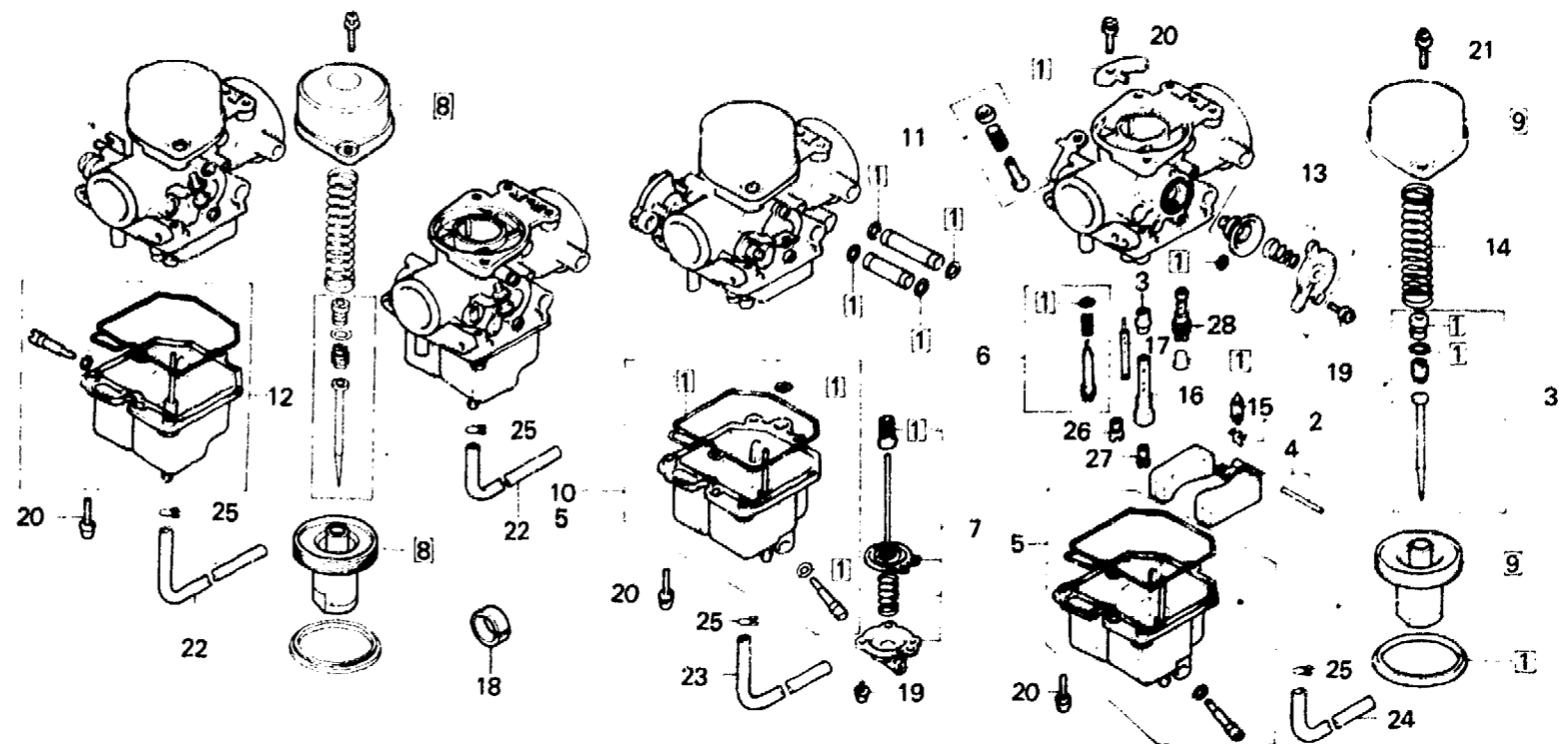
E-18-1

Carburetor
(Component parts)

Carburateur
(Pièces composantes)

Vergaser
(Einzelteil)

Carburador
(Piezas componentes)



B425-117B

Service item	F.R.T.	Ref. No.	Part No.	Description	Reqd. No. CB750								Serial No.	Area code
					Fz	FA	Fa	Fc	F2c	Fd	F2d			
		9	16022-413-891	PISTON SET, VACUUM		2	2	2	2	2	2			
			16022-413-014	PISTON SET, VACUUM	2									
		10	16023-425-671	CHAMBER SET B, FLOAT	1	1	1	1					CM	
		11	16029-413-004	SCREW SET C	3	3	3	3	3	3	3			
		12	16045-425-671	CHAMBER SET C, FLOAT	2	2	2	2	2	2	2			
		13	16048-425-671	VALVE SET, AIR CUT	4									
			16048-429-671	VALVE SET, AIR CUT		4	4	4	4	4	4			
		14	16050-443-701	SPRING, VACUUM PISTON	4									
						4	4	4	4	4	4		DK,DM,E,ED,F,G	
			16050-415-003	SPRING, VACUUM PISTON		4	4	4					SA,U,IT	
		15	16155-413-751	VALVE COMP., FLOAT		4	4	4	4	4	4		CM	
		16	16165-425-671	HOLDER, NEEDLE JET	4	4	4	4	4	4	4			
		17	16166-425-671	NOZZLE, MAIN	4	4	4	4	4	4	4			
		18	16291-300-300	BAND, RUBBER	1	1	1	1	1	1	1			
		19	93892-04012-00	SCREW-WASHER, 4X12	11	11	11	11	11	11	11			
		20	93892-04016-00	SCREW-WASHER, 4X16	16	16	16	16	16	16	16			



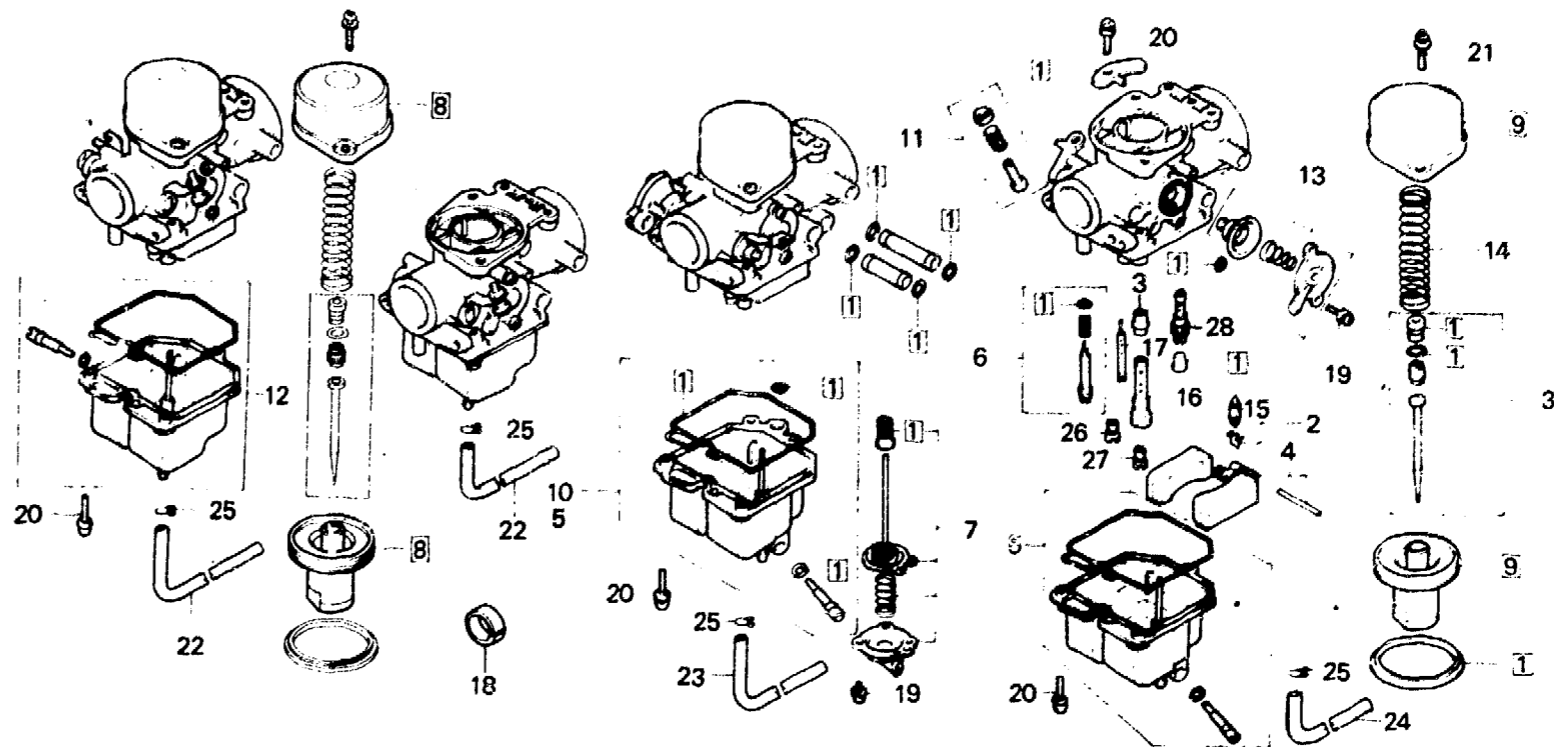
E-18-1

Carburetor
(Component parts)

Carburateur
(Pièces composantes)

Vergaser
(Einzelteil)

Carburador
(Piezas componentes)



8425-117B

Service item	F.R.T.	Ref. No.	Part No.	Description	Reqd. No. CB750								Serial No.	Area code
					Fz	Fa	Fa	Fc	F2c	Fd	F2d			
		21	93892-05016-00	SCREW-WASHER, 5X16	8	8	8	8	8	8	8			
		22	95001-35480-40	TUBE, FUEL, 3.5X480	2									
			16144-413-751	TUBE, OVER FLOW		2	2	2	2	2	2			
		23	95001-35550-40	TUBE, FUEL, 3.5X550	1									
			16195-449-771	TUBE, FUEL		1	1	1	1	1	1			
		24	95001-35610-40	TUBE, FUEL, 3.5X610	1									
			16198-425-671	TUBE, FUEL		1	1	1	1	1	1			
		25	95002-02070	CLIP B7, TUBE	4									
			95002-02650	CLIP B6.5, TUBE		4	4	4	4	4	4			
		26	99101-393-0680	JET, PRIMARY MAIN, #68	4	4	4	4	4	4	4			
		27	99102-393-0980	JET, SECONDARY MAIN, #98	4									
			99102-393-1000	JET, SECONDARY MAIN, #100		4	4	4						
			99102-393-1020	JET, SECONDARY MAIN, #102		4	4	4	4	4	4			
		28	99103-MA4-0350	JET, SLOW, #35			4	4	4	4	4			

CM
DK,DM,E,ED,F,G
SA,U,IT



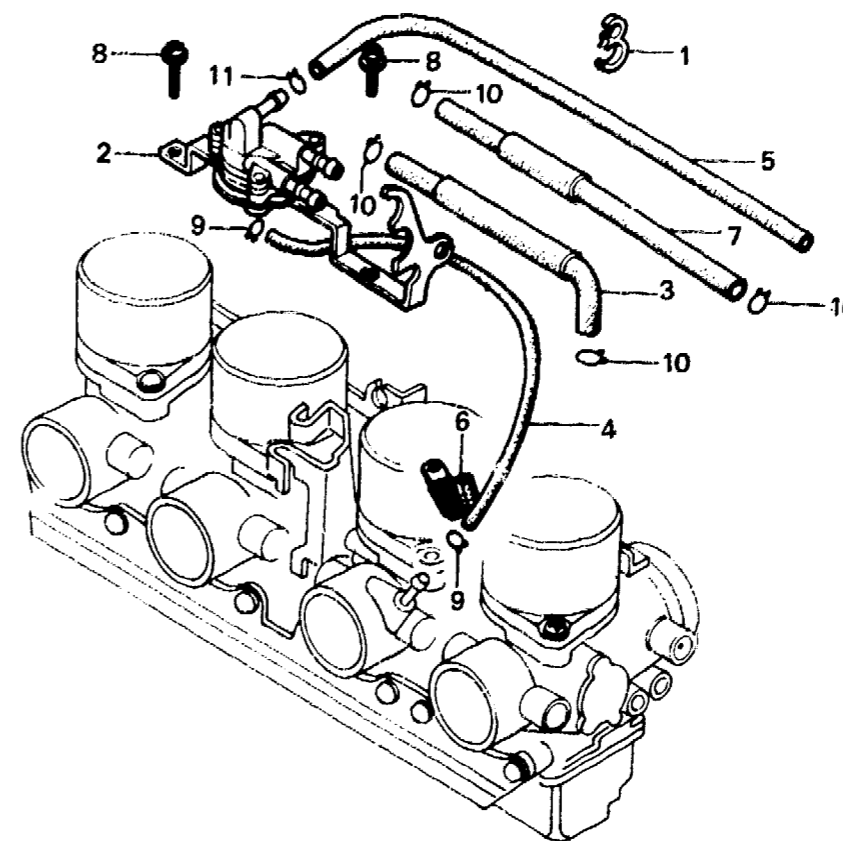
E-19

**Automatic fuel cock
(CB750Fb·Fc·F2c·Fd·F2d)**

**Robine d'essence automatique
(CB750Fb·Fc·F2c·Fd·F2d)**

**Aoutmatischer Benzinhahn
(CB750Fb·Fc·F2c·Fd·F2d)**

**Grifo de combustible automático
(CB750Fb·Fc·F2c·Fd·F2d)**



B461-38

Service item	F.R.T.	Ref. No.	Part No.	Description	Reqd. No. CB750						Serial No.	Area code
					Fz	FA	Fb	Fc	F2c	Fd		
COCK ASSY., AUTOMATIC FUEL TUBE, FUEL (ONE OR ALL)	0.3	1	16876-671-650	CLAMP A, TUBE	1	1	1	1	1			
	0.2	2	16970-461-751	COCK ASSY., AUTOMATIC FUEL	1						2206510	CM
		16970-461-771	COCK ASSY., AUTOMATIC FUEL	1								DK,DM,E,ED,F,G
	16970-461-750	COCK ASSY., AUTOMATIC FUEL	1	1	1	1	1				SA,U,IT	
	16970-461-772	COCK ASSY., AUTOMATIC FUEL	1							2206511		
	3	16971-461-771	TUBE, FUEL, 7.3X200	1	1	1	1	1				
	4	16972-461-771	TUBE, VACUUM, 3.5X300	1	1	1	1	1				
	5	16973-461-771	TUBE, AIR VENT, 3X360	1	1	1	1	1				
	6	16974-461-771	CLAMPER, TUBE	1	1	1	1	1				
	7	16990-461-770	TUBE, FUEL, 7.3X235	1							2207640	
	16990-461-771	TUBE, FUEL, 7.3X235	1							2207641		
16990-461-750	TUBE COMP., FUEL, 7.3X225		1	1	1	1						
8	93892-05016-00	SCREW-WASHER, 5X16	2	2	2	2	2					
9	95002-02070	CLIP B7, TUBE	2	2	2	2	2					



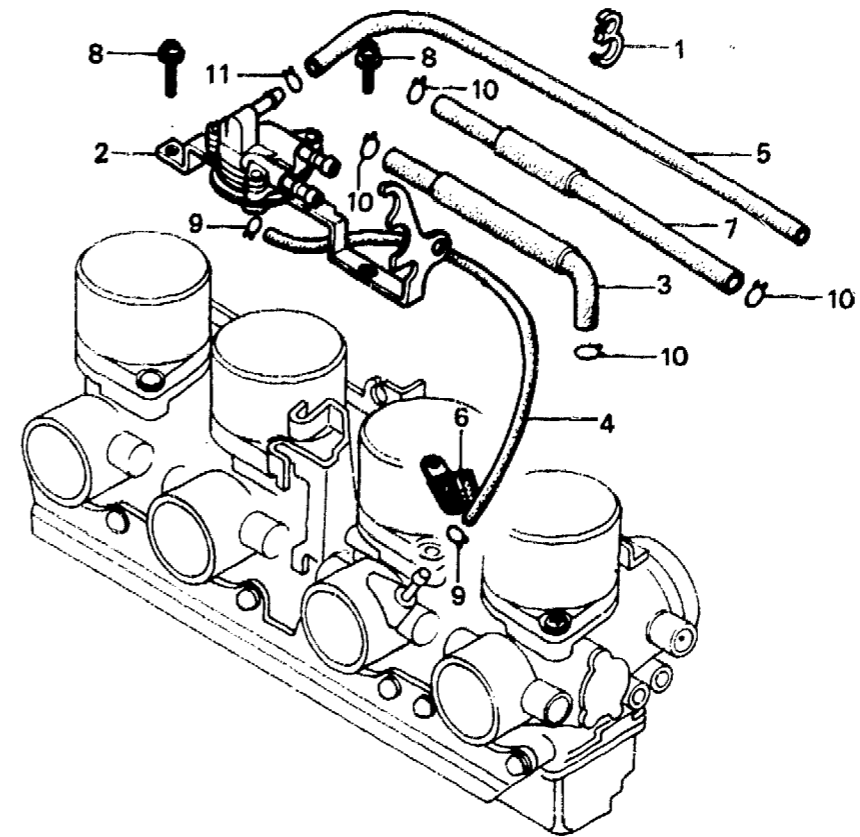
E-19

**Automatic fuel cock
(CB750F_B·F_C·F_{2C}·F_D·F_{2D})**

**Robine d'essence automatique
(CB750F_B·F_C·F_{2C}·F_D·F_{2D})**

**Aoutmatischer Benzinhahn
(CB750F_B·F_C·F_{2C}·F_D·F_{2D})**

**Grifo de combustible automático
(CB750F_B·F_C·F_{2C}·F_D·F_{2D})**



B461-38

Service item	F.R.T.	Ref. No.	Part No.	Description	Reqd. No.						Serial No.	Area code	
					Fz	FA	F _B	F _C	F _{2C}	F _D			F _{2D}
		10	95002-02120	CLIP B12, TUBE			4	4	4	4	4		
		11	95002-02650	CLIP B6.5, TUBE			1	1	1	1	1		



EOP-1

Gasket Kit A

Trousse de joint A

Dichtung Satz A

Equipode empacadura A

Service item	F.R.T.	Ref. No.	Part No.	Description	Reqd. No. CB750							Serial No.	Area code	
					Fz	FA	Fb	Fc	F2c	Fd	F2o			
		1	06110-425-010	GASKET KIT A	1									
			061A1-425-000	GASKET KIT A		1						2113892	2113891	CM
						1	1	1	1	1	1			CM
								1	1	1				DK,DM,E,ED,F,SA
				(COMPONENT PARTS)										U,IT
			12191-425-010	GASKET, CYLINDER	1	1	1	1	1	1	1			CM,G
		2	12209-422-005	SEAL, VALVE STEM	16	16	16	16	16	16	16			
		3	12251-425-000	GASKET, CYLINDER HEAD	1	1	1	1	1	1	1			
		4	12391-425-000	GASKET, CYLINDER HEAD COVER	1									
			12391-425-010	GASKET, CYLINDER HEAD COVER		1	1							
		5	18291-254-000	GASKET, EX. PIPE	4	4	4	4	4	4	4			
		6	91302-425-000	O-RING, 66.8X2	4	4	4	4	4	4	4			
		7	91307-422-000	O-RING, 4.9X1.9	1									
						1							2113891	CM



EOP-1

Gasket Kit A

Trousse de joint A

Dichtung Satz A

Equipode empacadura A

Service item	F.R.T.	Ref. No.	Part No.	Description	Reqd. No. CB750							Serial No.	Area code
					Fz	FA	Fb	Fc	F2c	Fd	F2d		
			91313-393-003	O-RING, 7.8X2.2	1							2113892	CM DK,DM,E,ED,F,G SA,U,IT CM
		8	91311-425-000	O-RING, CAMSHAFT HOLDER	1	1	1	1	1	1	1		



EOP-2

Gasket Kit B

Trousse de joint B

Dichtung Satz B

Equipode empacadura B

Service item	F.R.T.	Ref. No.	Part No.	Description	Regd. No. CB750							Serial No.	Area code
					Fz	FA	Fb	Fc	F2c	Fd	F2D		
		1	06111-425-000	GASKET KIT B	1								
			06111-425-010	GASKET KIT B (COMPONENT PARTS)		1	1	1	1	1	1		
			11359-425-000	GASKET, OIL PUMP COVER	1								
			11359-425-020	GASKET, OIL PUMP COVER		1	1	1	1	1	1		
		2	11395-425-000	GASKET, L. SIDE COVER	1	1	1	1	1	1	1		
		3	11396-425-000	GASKET, CLUTCH COVER	1	1	1	1	1	1	1		
		4	11398-425-000	GASKET, OIL PAN	1	1	1	1	1	1	1		
		5	11691-425-000	PACKING, A.C. GENERATOR COVER	1								
			11691-425-010	PACKING, A.C. GENERATOR COVER		1	1	1	1	1	1		
		6	90372-425-000	GASKET, POINT COVER	1	1	1	1	1	1	1		
		7	91301-250-000	O-RING, 22X3.0	1	1	1	1	1	1	1		
		8	91302-001-020	O-RING, 30.8MM	1	1	1	1	1	1	1		
		9	91302-377-000	O-RING, 15X2.5	3	3	3	3	3	3	3		
		10	91305-639-000	O-RING, 9.5X3	4	4	4	4	4	4	4		



EOP-2

Gasket Kit B

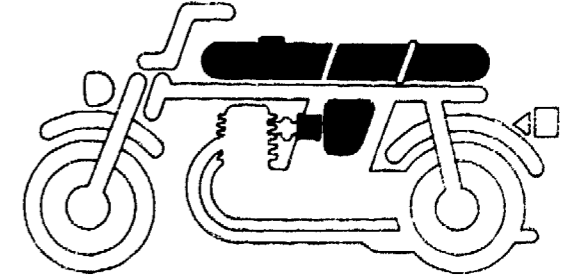
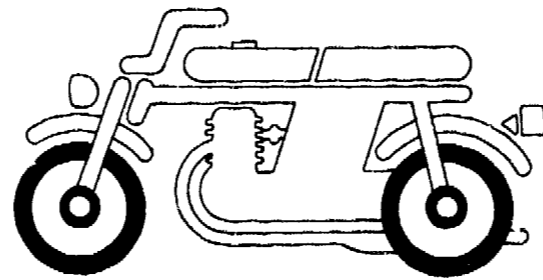
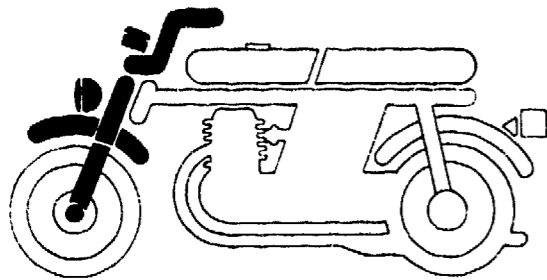
Trousse de joint B

Dichtung Satz B

Equipode empacadura B

Service item	F.R.T.	Ref. No.	Part No.	Description	Reqd. No. CB750							Serial No.	Area code
					Fz	FA	Fb	Fc	F2c	Fd	F2d		
		11	91305-714-000	O-RING, 24MM	1	1	1	1	1	1	1		
		12	91306-329-000	O-RING, 16X1.9	1	1	1	1	1	1	1		
		13	91309-300-000	O-RING, 24.4X3.1	1	1	1	1	1	1	1		
		14	91316-300-003	O-RING, 89X4.5	1	1	1	1	1	1	1		
		15	91352-526-000	O-RING, 9.8X2.4	1	1	1	1	1	1	1		
		16	94608-40000	O-RING, 19.4X2.8	1	1	1	1	1	1	1		

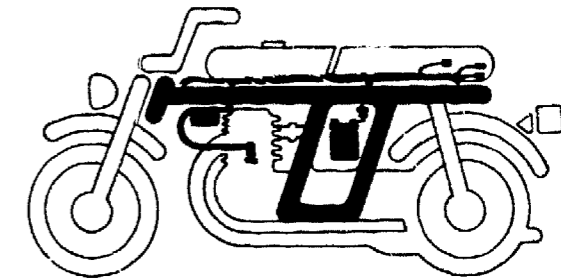
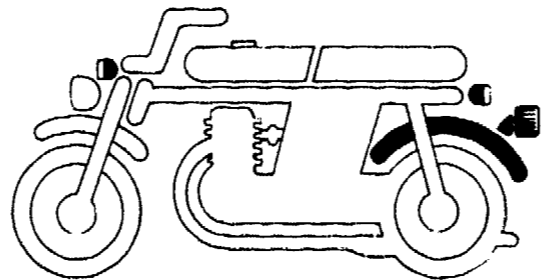
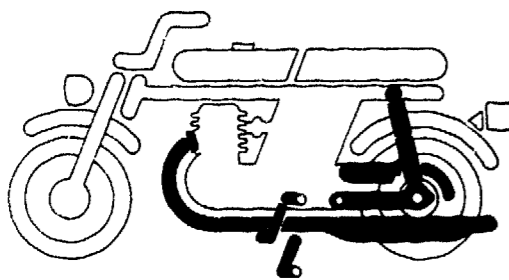
BLOCK INDEX - FRAME GROUP



F- 1	Headlight	H 2
F- 2	Meter	I 3
F- 2-1	Voltmeter · Clock (CB750F2c, F2d).....	I 7
F- 3	Handle lever · Switch · Cable	I 8
F- 4	Front brake master cylinder (CB750Fz, FA)	I 12
F- 4-1	Front brake master cylinder (CB750Fb, Fc, F2c, Fd, F2d).....	I 15
F- 5	Handle pipe · Top bridge	J 2
F- 6	Steering stem	J 6
F- 7	Front fender	J 9
F- 8	Front fork (CB750Fz, FA, Fb, Fc, F2c, Fd, F2d, DK, DM, E, ED, F, G, IT, SA, U).....	J 13
F- 8-1	Front fork (CB750Fb, Fc -CM)	K 2

F- 9	Front brake caliper (CB750Fz, FA, Fb -DK, DM, E, ED, F, G, SA, U)	K 5
F- 9-1	Front brake caliper (CB750Fb -CM, CB750Fc, F2c, Fd, F2d).....	K 11
F-10	Front wheel (CB750Fz)	K 16
F-10-1	Front wheel (CB750FA, Fb, Fc, F2c, Fd, F2d).....	L 2
F-11	Rear brake master cylinder	L 5
F-12	Rear brake caliper (CB750Fz, FA, Fb -DK, DM, E, ED, F, G, SA, U)	L 8
F-12-1	Rear brake caliper (CB750Fb -CM, CB750Fc, F2c, Fd, F2d).....	L 14
F-13	Rear wheel (CB750Fz)	M 3
F-13-1	Rear wheel (CB750FA, Fb, Fc, F2c, Fd, F2d).....	M 6

F-14	Fuel tank (CB750Fz, CB750FA, Fb -CM)	M 11
F-14-1	Fuel tank (CB750FA, Fb -DK, DM, E, ED, F, G, SA, U)	M 14
F-14-2	Fuel tank (CB750Fc -CM)	N 2
F-14-3	Fuel tank (CB750Fc -DK, D, E, ED, F, G, SA, U, CB750F2c)	N 4
F-14-4	Fuel tank (CB750Fd, F2d).....	N 7
F-15	Seat	N 9
F-16	Side cover · Rectifier	N 13
F-17	Battery	2-C 7
F-18	Air cleaner	2-C 9



F-19	Exhaust muffler	2-C 13
F-20	Brake pedal · Change pedal (CB750Fz, FA, Fb, Fc -CM)	2-C 16
F-20-1	Brake pedal · Change pedal (CB750FA, Fb, Fc, F2c, Fd, F2d -DK, DM, E, ED, F, G, IT, SA, U)	2-D 1
F-21	Step (CB750Fz, FA, Fb, Fc -CM)	2-D 3
F-21-1	Step (CB750FA, Fb, Fc, F2c, Fd, F2d -DK, DM, E, ED, F, G, IT, SA, U)	2-D 8
F-22	Stand	2-D 15
F-23	Rear fork · Chain case (CB750Fz)	2-E 1
F-23-1	Rear fork · Chain case (CB750FA, Fb, Fc, F2c, Fd, F2d)	2-E 3
F-24	Rear cushion (CB750Fz)	2-E 6
F-24-1	Rear cushion (CB750FA, Fb, Fc, F2c, Fd, F2d).....	2-E 7

F-25	Rear fender	2-E 9
F-26	Winker (CM, DK, DM, SA, U)	2-E 11
F-26-1	Winder (E, ED, F, G, IT).....	2-F 1
F-27	Taillight	2-F 4

F-28	Wire harness · Ignition coil.....	2-F 7
F-29	Frame body.....	2-F 11
F-30	Tool.....	2-F 16
F-31	Fairing (CB750F2c, F2d)	2-G 2
F-32	Fairing stay (CB750F2c, F2d).....	2-G 8
F-33	Fairing pocket (CB750F2c, F2d).....	2-G 10
F-34	Fuel tank stripe (CB750FA, Fb -DK, DM, E, ED, F, G, SA, U, CB750Fc, F2c).....	2-G 12
F-34-1	Fuel tank stripe (CB750Fd, F2d)	2-G 15
F-35	Fairing stripe (CB750F2c, F2d)	2-H 1
F-36	Side cover stripe (CB750Fc, F2c, Fd, F2d).....	2-H 2
F-37	Rear cowl stripe (CB750Fc, F2c, Fd, F2d)	2-H 5
F-38	Color chart (CB750Fc, F2c)	2-H 7
F-39	Color chart (CB750Fd, F2d)	2-H 11

H 2

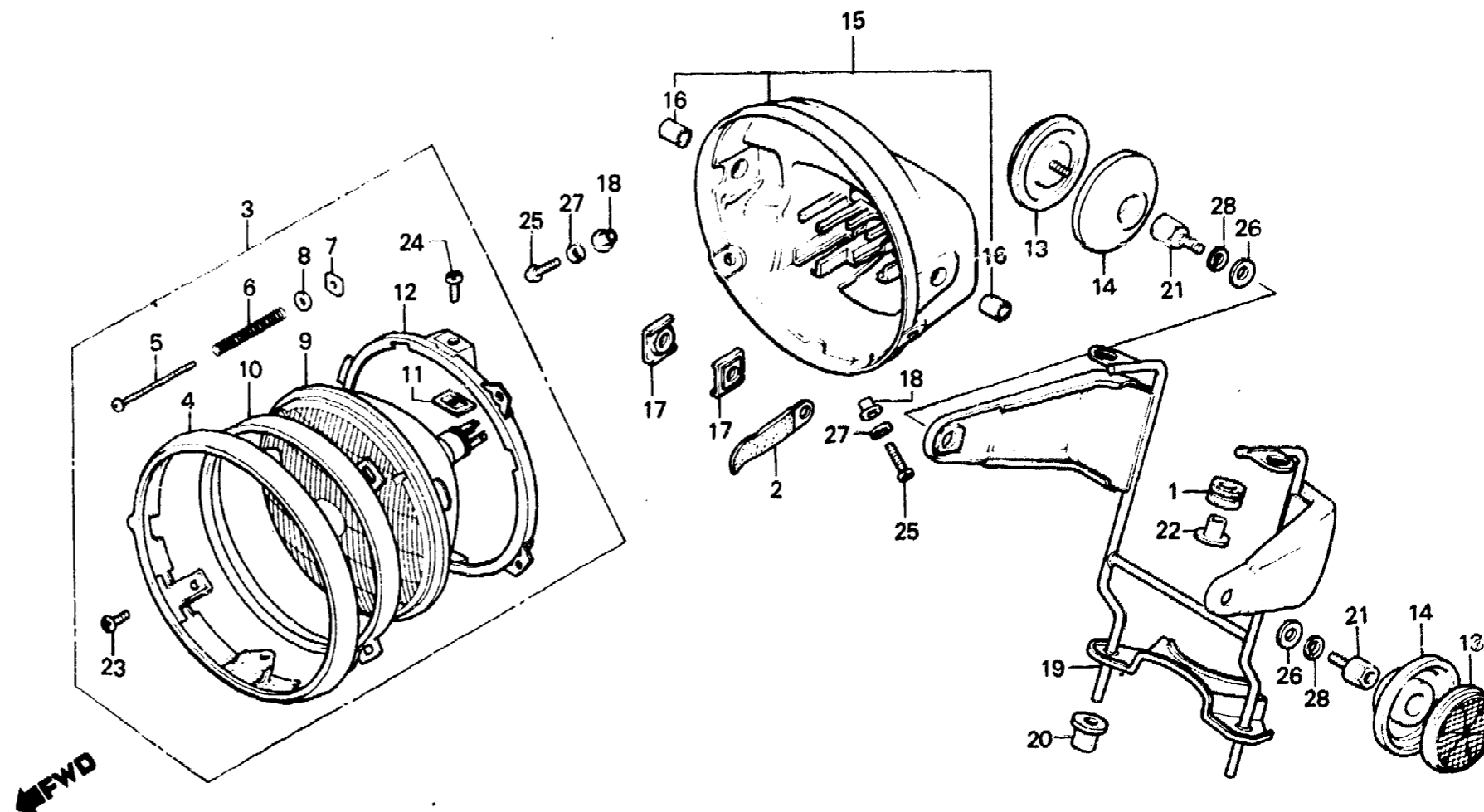
F-1

Headlight
(CB750Fz·FA-CM)

Phare
(CB750Fz·FA-CM)

Scheinwerfer
(CB750Fz·FA-CM)

Faro delantero
(CB750Fz·FA-CM)



B445-3

Service item	F.R.T.	Ref. No.	Part No.	Description	Part. No. CB750						Serial No.	Area code
					Fz	FA	Fe	Fc	F2c	Fd		
HEADLIGHT ASSY.	0.1	1	17245-107-010	RUBBER, AIR CLEANER CASE	2	2						CM
HEADLIGHT UNIT	0.2	2	32173-369-000	MOUNTING CLIP C, WIRE HARNESS	1	1						CM
(INC. RELATIVE PART)		3	33100-425-671	HEADLIGHT ASSY. (12V65/50W)	1	1						CM
CASE, HEADLIGHT	0.4	4	33101-422-671	RIM, HEADLIGHT	1							CM
STAY, HEADLIGHT CASE	0.6		33101-460-671	RIM, HEADLIGHT		1				2103543	2103542	CM
		5	33103-346-670	SCREW, BEAM ADJUSTING	1	1						CM
		6	33107-300-003	SPRING, HEADLIGHT BEAM ADJUSTING	1	1						CM
		7	33117-001-023	NUT, HEADLIGHT BEAM ADJUSTING	1	1						CM
		8	33119-371-003	WASHER, BEAM ADJUSTING	1	1						CM
		9	33120-425-671	HEADLIGHT UNIT (12V65/50W)	1	1						CM
		10	33121-405-671	RING, RETAINING	1	1						CM
		11	33128-292-670	NUT, UNIT HOLDER	2	2						CM
		12	33153-422-003	RING, MOUNTING	1	1						CM

1982.09.20

E

H2

H 3

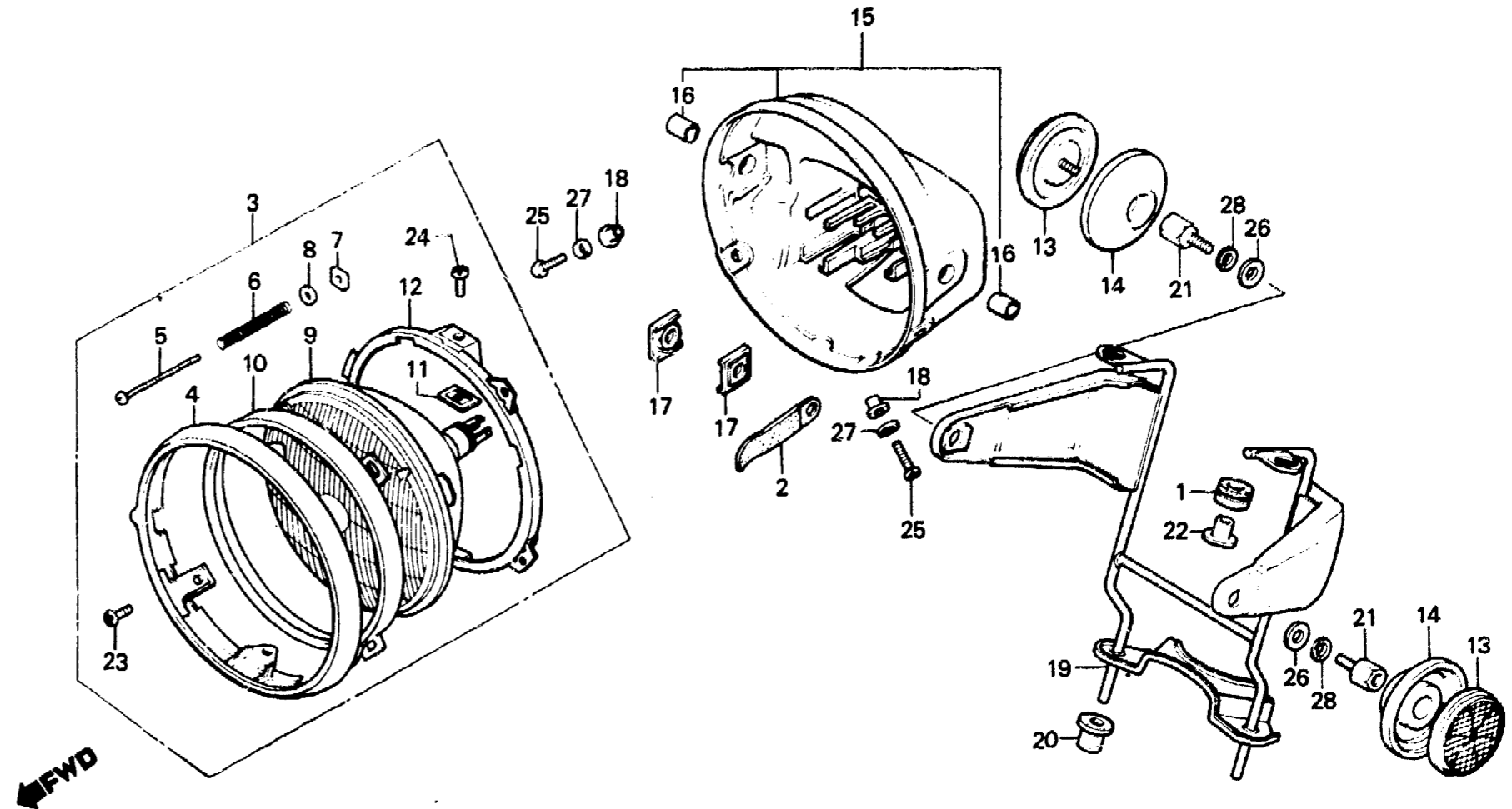
F-1

**Headlight
(CB750Fz·FA-CM)**

**Phare
(CB750Fz·FA-CM)**

**Scheinwerfer
(CB750Fz·FA-CM)**

**Faro delantero
(C3750Fz·FA-CM)**



B445-3

Service item	F.R.T.	Ref. No.	Part No.	Description	Reqd. No. CB750							Serial No.	Area code
					Fz	FA	Fb	Fc	F2c	Fd	F2d		
		13	33741-413-003	REFLECTOR, FR, REFLEX (STANLEY)	2	2							CM
		14	33743-425-600	BASE, FR, REFLECTOR	2	2							CM
		15	61301-425-000	CASE, HEADLIGHT	1	1							CM
		16	61302-425-000	COLLAR, HEADLIGHT CASE	2	2							CM
		17	61303-425-010	NUT, HEADLIGHT CASE	2	2							CM
		18	61304-292-000	COLLAR, HEADLIGHT SETTING	2	2							CM
		19	61311-445-000	STAY, HEADLIGHT CASE	1								CM
			61311-445-770	STAY, HEADLIGHT CASE		1							CM
		20	61313-422-000	GROMMET B, HEADLIGHT	2	2							CM
		21	90120-425-000	BOLT, HEADLIGHT STAY	2	2							CM
		22	90501-425-000	COLLAR, 6.2X12	2	2							CM
		23	93500-03008-1A	SCREW, PAN, 3X8	2	2							CM
		24	93500-05008-0H	SCREW, PAN, 5X8	2	2							CM
		25	93500-05016-0B	SCREW, PAN, 5X16	2	2							CM
		26	94101-10000	WASHER, PLAIN, 10MM	2	2							CM
		27	94111-05000	WASHER, SPRING, 5MM	2	2							CM
		28	94111-10000	WASHER, SPRING, 10MM	2	2							CM

1982.09.20

E

H3



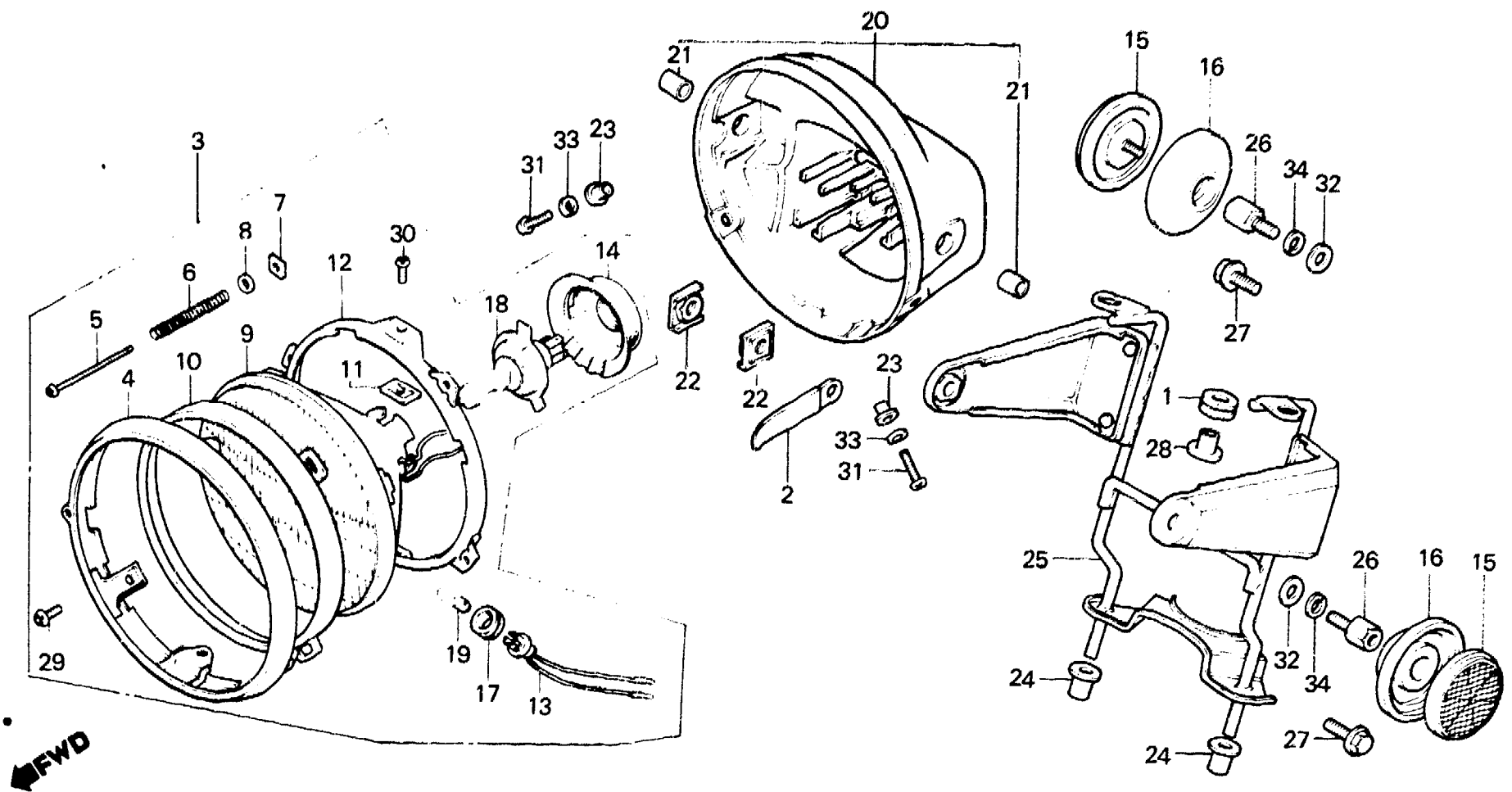
F-1-1

Headlight (CB750FA•FB•Fc•Fd-E,ED,F,G,IT)

Phare (CB750FA•FB•Fc•Fd-E,ED,F,G,IT)

Scheinwerfer (CB750FA•FB•Fc•Fd-E,ED,F,G,IT)

Faro delantero (CB750FA•FB•Fc•Fd-E,ED,F,G,IT)



B445-23

Service item	F.R.T.	Ref. No.	Part No.	Description	Reqd. No. CB750							Serial No.	Area code
					Fz	FA	Fb	Fc	F2c	Fd	F2o		
HEADLIGHT ASSY.	0.1	1	17245-107-010	RUBBER, AIR CLEANER CASE MOUNTING	2	2	2			2		E,ED,F,G,IT	
SOCKET COMP., MARKER LIGHT		2	32173-369-000	CLIP C, WIRE HARNESS	1	1	1			1		E,ED,F,G,IT	
BULB, HEADLIGHT		3	33100-422-601	HEADLIGHT ASSY. (12V 60/55W)	1	1	1			1		E	
HEADLIGHT UNIT (INC. RELATIVE PART)	0.2	3	33100-422-611	HEADLIGHT ASSY. (12V 60/55W)	1	1	1			1		ED,G,IT	
CASE, HEADLIGHT	0.4	3	33100-422-621	HEADLIGHT ASSY. (12V 60/55W)	1	1	1			1		F	
BRACKET COMP., HEADLIGHT CASE	0.6	4	33101-422-671	RIM, HEADLIGHT	1	1	1			1		E,ED,F,G,IT	
		5	33103-346-670	SCREW, BEAM ADJUSTING	1	1	1			1		E,ED,F,G,IT	
		6	33107-300-003	SPRING, HEADLIGHT BEAM ADJUSTING	1	1	1			1		E,ED,F,G,IT	
		7	33117-001-023	NUT, HEADLIGHT BEAM ADJUSTING	1	1	1			1		E,ED,F,G,IT	
		8	33119-371-003	WASHER, BEAM ADJUSTING	1	1	1			1		E,ED,F,G,IT	
		9	33120-371-601	HEADLIGHT UNIT	1	1	1			1		E	
		9	33120-371-611	HEADLIGHT UNIT	1	1	1			1		ED,F,G,IT	
		10	33121-405-671	RING, RETAINING	1	1	1			1		E,ED,F,G,IT	



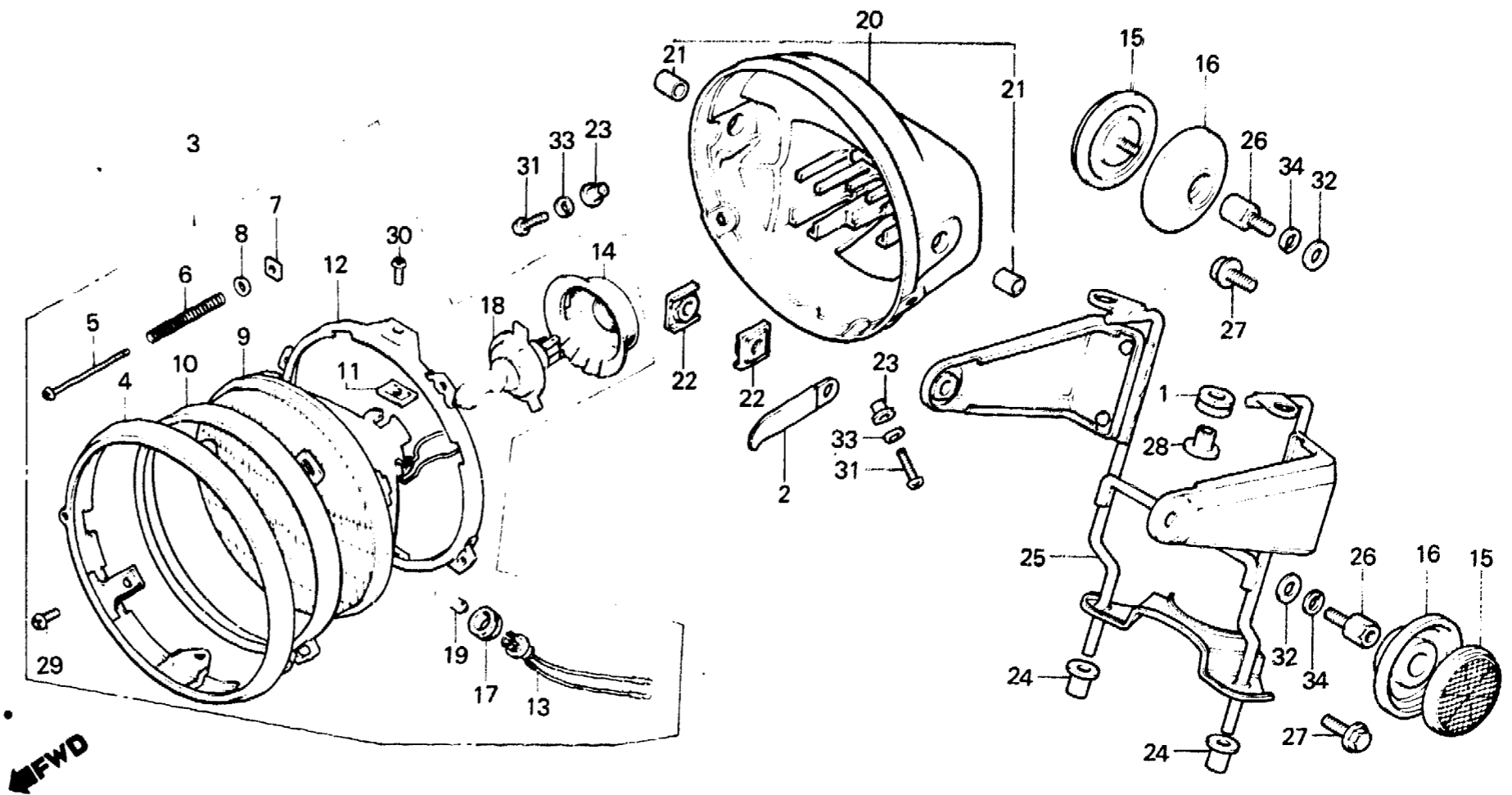
F-1-1

**Headlight (CB750FA·FB·Fc·
Fd-E,ED,F,G,IT)**

**Phare (CB750FA·FB·Fc·
Fd-E,ED,F,G,IT)**

**Scheinwerfer (CB750FA·FB·Fc·
Fd-E,ED,F,G,IT)**

**Faro delantero (CB750FA·FB·Fc·
Fd-E,ED,F,G,IT)**



B445-23

Service item	F.R.T.	Ref. No.	Part No.	Description	Reqd. No. CB750						Serial No.	Area code
					Fz	FA	Fb	Fc	F2c	Fd		
		11	33128-292-670	NUT, UNIT HOLDER		2	2	2		2		E,ED,F,G,IT
		12	33153-422-003	RING, MOUNTING		1	1	1		1		E,ED,F,G,IT
		13	33170-390-611	SOCKET COMP., MARKER LIGHT		1	1	1		1		E,ED,F,G,IT
		14	33180-422-003	COVER, RUBBER		1	1	1		1		E,ED,F,G,IT
		15	33741-413-003	REFLECTOR, FR. REFLEX (STANLEY)		2	2	2		2		E,ED,IT G
		16	33743-425-600	BASE, FR. REFLECTOR		2	2	2		2		E,ED,IT G
		17	33905-371-601	RUBBER, JOINT		1	1	1		1		E,ED,F,G,IT
		18	34901-371-601	H4 BULB(12342/99) MFD. BY PHI- LIPS (LOCAL PROCUREMENT PART)		1	1	1		1		E,ED,G,IT
			34901-371-621	H4 BULB(12342/99) MFD. BY PHI- LIPS (LOCAL PROCUREMENT PART)		1	1	1				F
		19	34903-388-611	BULB, POSITION (12V 4W) (LOCAL PROCUREMENT PART)		1	1	1		1		E,ED,F,G,IT
		20	61301-425-000	CASE, HEADLIGHT		1	1	1		1		E,ED,F,G,IT
		21	61302-425-000	COLLAR, HEADLIGHT CASE		2	2	2		2		E,ED,F,G,IT
		22	61303-425-010	NUT, HEADLIGHT CASE		2	2	2		2		E,ED,F,G,IT



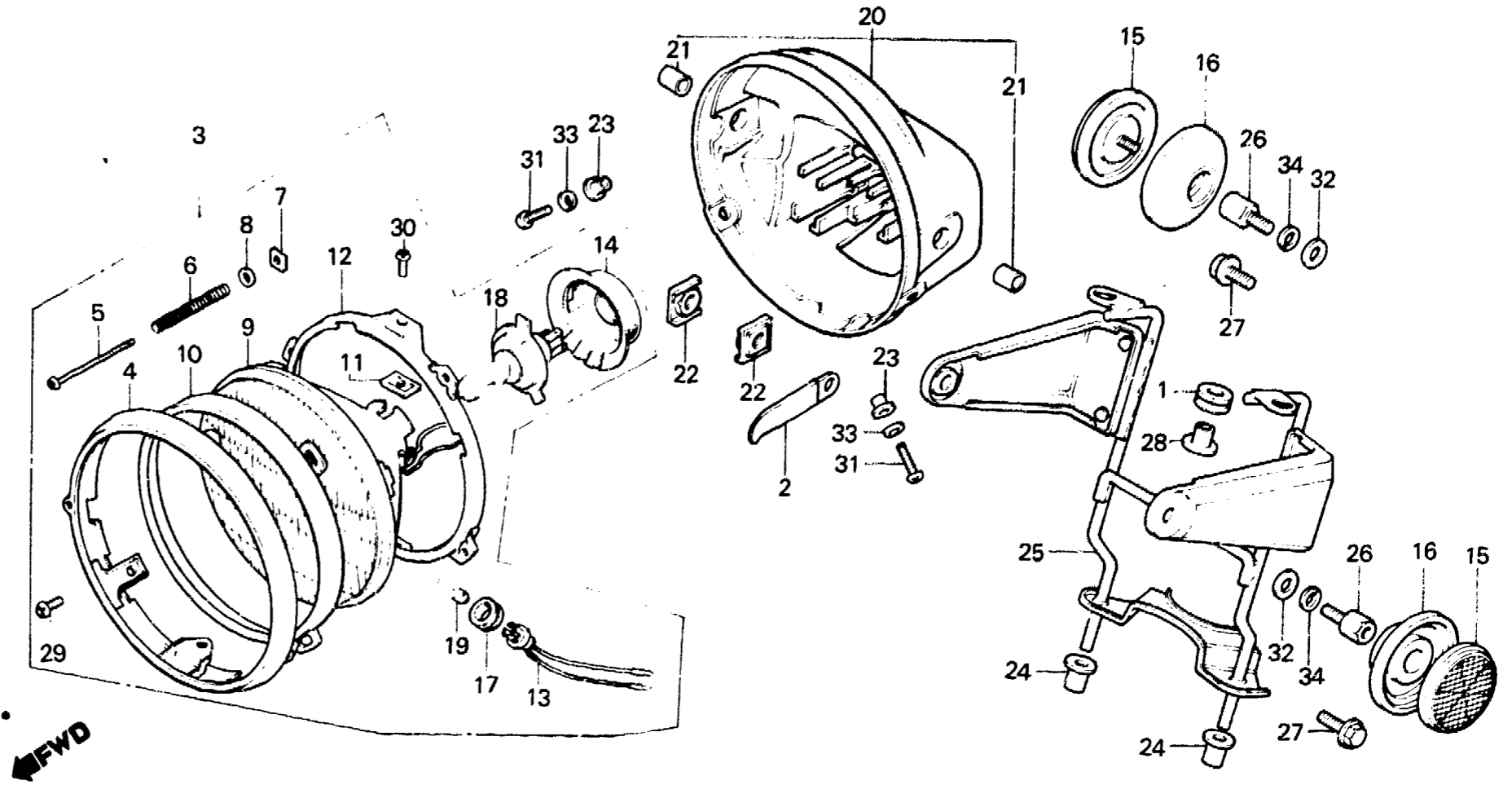
F-1-1

**Headlight (CB750FA•FB•FC•
FD-E,ED,F,G,IT)**

**Phare (CB750FA•FB•FC•
FD-E,ED,F,G,IT)**

**Scheinwerfer (CB750FA•FB•FC•
FD-E,ED,F,G,IT)**

**Faro delantero (CB750FA•FB•FC•
FD-E,ED,F,G,IT)**



B445-23

Service item	F.R.T.	Ref. No.	Part No.	Description	Reqd. No. CB750						Serial No.	Area code
					Fz	FA	Fb	Fc	F2c	Fd		
		23	61304-292-000	COLLAR, HEADLIGHT SETTING		2	2	2		2		E,ED,F,G,IT
		24	61313-422-000	GROMMET B, HEADLIGHT		2	2	2		2		E,ED,F,G,IT
		25	61315-445-610	BRACKET COMP., HEADLIGHT CASE		1	1	1	1	1		E,ED,F,G,IT
		26	90120-425-000	BOLT, HEADLIGHT STAY		2	2	2		2		E,ED,IT
		27	90151-422-000	BOLT, HEADLIGHT CASE SETTING		2	2	2				G
		28	90501-425-000	COLLAR, 6.2X12		2	2	2		2		F
		29	93500-03008-1A	SCREW, PAN, 3X8		2	2	2		2		G
		30	93500-05008-0H	SCREW, PAN, 5X8		2	2	2		2		E,ED,F,G,IT
		31	93500-05016-0B	SCREW, PAN, 5X16		2	2	2		2		E,ED,F,G,IT
		32	94101-10000	WASHER, PLAIN, 10MM		2	2	2		2		E,ED,IT
		33	94111-05000	WASHER, SPRING, 5MM		2	2	2		2		G
		34	94111-10000	WASHER, SPRING, 10MM		2	2	2		2		E,ED,F,G,IT
						2						E,ED,IT
												G



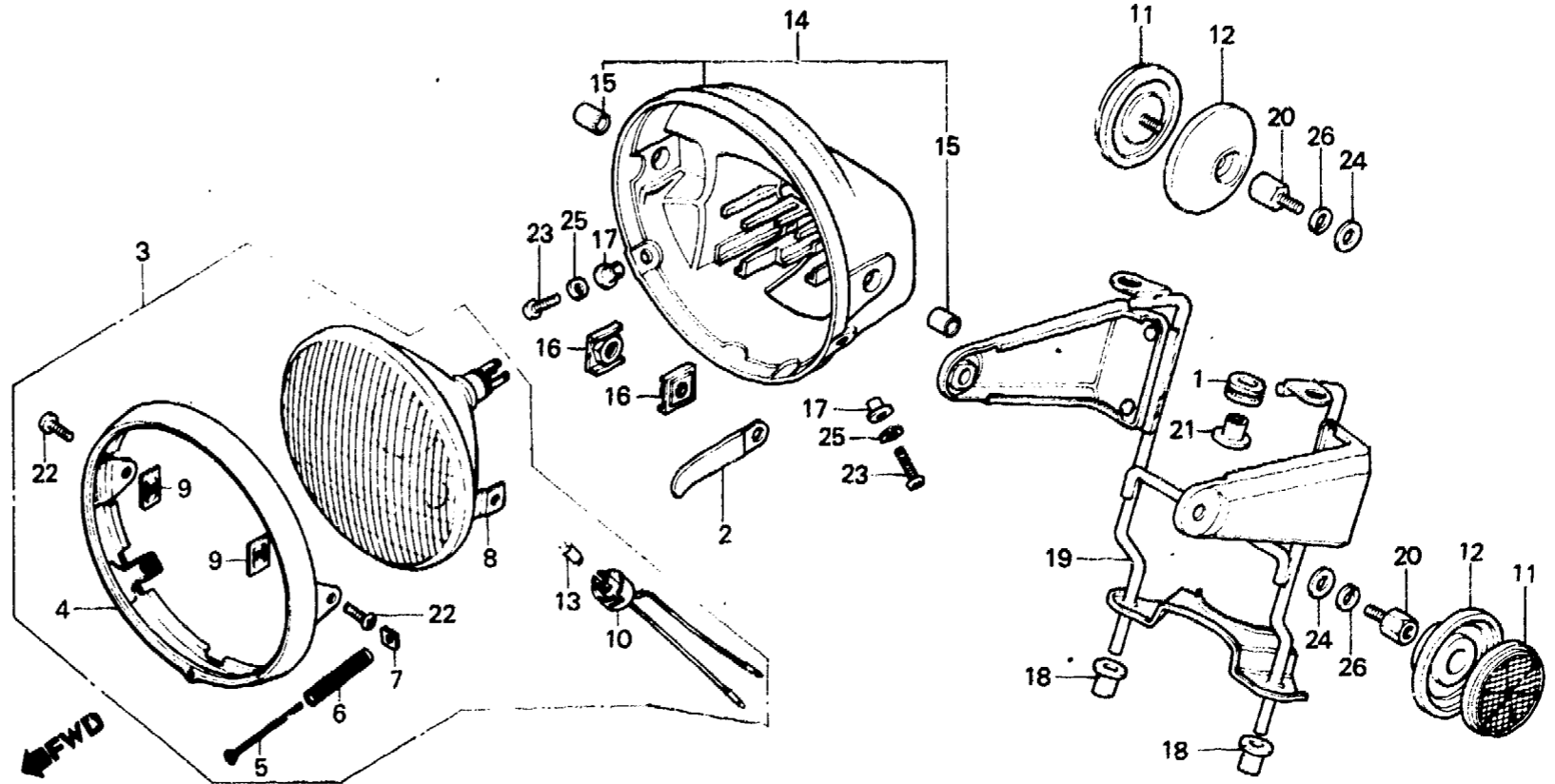
F-1-2

Headlight
(CB750FA•FB•Fc•Fd-DK, BM, SA, U)

Phare
(CB750FA•FB•Fc•Fd-DK, BM, SA, U)

Scheinwerfer
(CB750FA•FB•Fc•Fd-DK, BM, SA, U)

Faro delantero
(CB750FA•FB•Fc•Fd-DK, BM, SA, U)



B445-24

Service item	F.R.T.	Ref. No.	Part No.	Description	Reqd. No. CB750						Serial No.	Area code
					F	FA	Fb	Fc	F2c	Fd		
HEADLIGHT ASSY.	0.1	1	17245-107-010	RUBBER, AIR CLEANER CASE MOUNTING	2	2	2		2		DK, DM, SA, U	
SOCKET COMP., MARKER LIGHT	0.2	2	32173-369-000	CLIP C, WIRE HARNESS	1	1	1		1		DK, DM, SA, U	
HEADLIGHT UNIT (INC. RELATIVE PART)	0.4	3	33100-422-681	HEADLIGHT ASSY. (12V 50/40W)	1	1	1		1		DK, DM, SA, U	
CASE, HEADLIGHT	0.6	4	33101-422-003	RIM, HEADLIGHT	1	1	1		1		DK, DM, SA, U	
BRACKET COMP., HEADLIGHT CASE		5	33103-346-670	SCREW, BEAM ADJUSTING	1	1	1		1		DK, DM, SA, U	
		6	33107-300-003	SPRING, HEADLIGHT BEAM ADJUSTING	1	1	1		1		DK, DM, SA, U	
		7	33117-001-023	NUT, HEADLIGHT BEAM ADJUSTING	1	1	1		1		DK, DM, SA, U	
		8	33120-375-003	HEADLIGHT UNIT	1	1	1		1		DK, DM, SA, U	
		9	33128-292-670	NUT, UNIT HOLDER	2	2	2		2		DK, DM, SA, U	
		10	33170-323-003	SOCKET COMP., MARKER LIGHT	1	1	1		1		DK, DM, SA, U	
		11	33741-413-003	REFLECTOR, FR. REFLEX (STANLEY)	2	2	2		2		DK, DM, SA, U	
		12	33743-425-600	BASE, FR. REFLECTOR	2	2	2		2		DK, DM, SA, U	



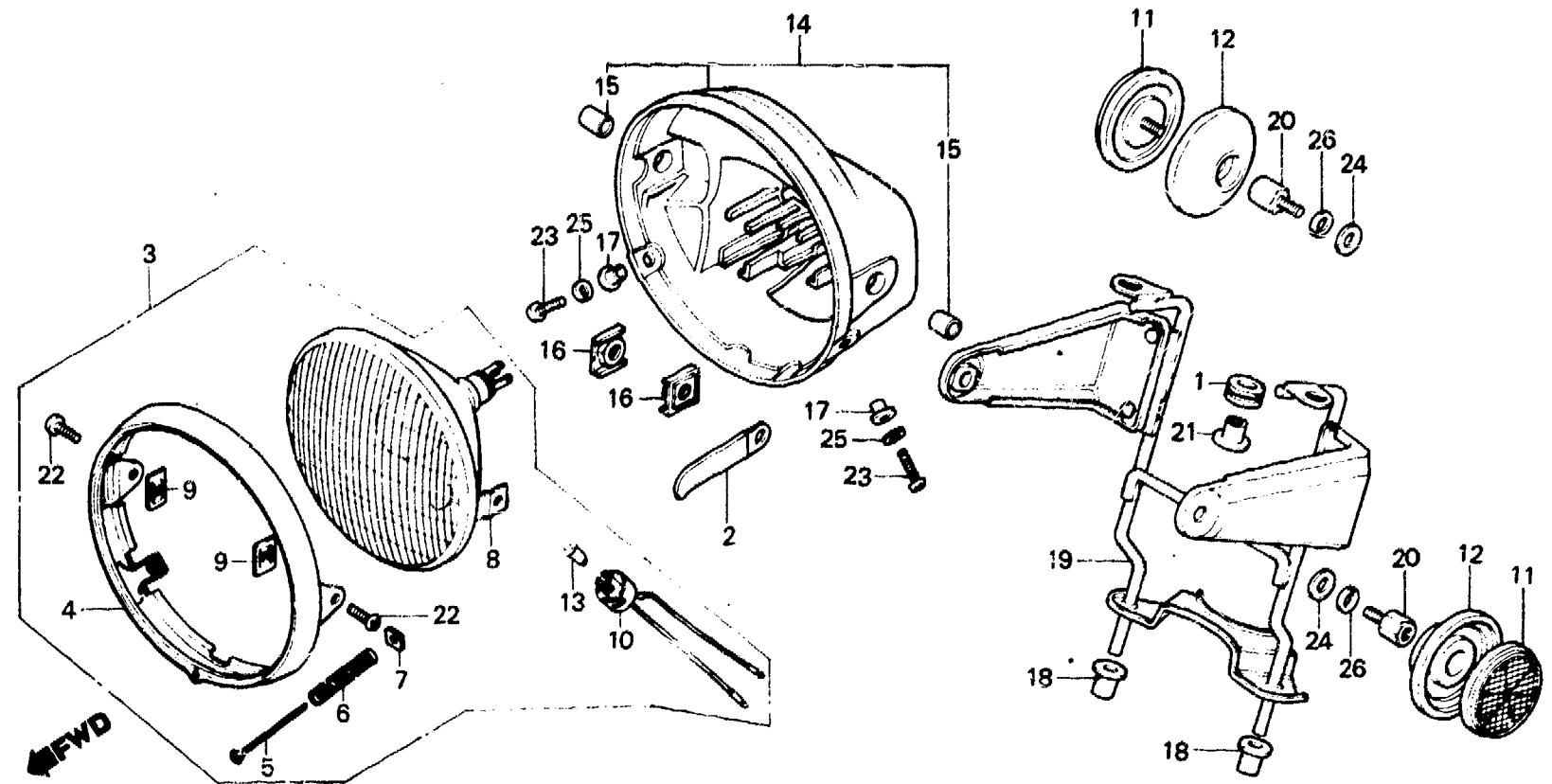
F-1-2

Headlight
(CB750FA·FB·FC·FD-DK, BM, SA, U)

Phare
(CB750FA·FB·FC·FD-DK, BM, SA, U)

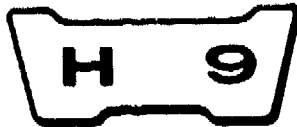
Scheinwerfer
(CB750FA·FB·FC·FD-DK, BM, SA, U)

Faro delantero
(CB750FA·FB·FC·FD-DK, BM, SA, U)



B445-24

Service item	F.R.T.	Ref. No.	Part No.	Description	Reqd. No.							Serial No.	Area code
					Fz	FA	Fb	Fc	F2c	Fd	F2d		
		13	34903-071-003	BULB, MARKER LIGHT (12V 3.4W) (STANLEY)	1	1	1			1		DK, DM, SA, U	
		14	61301-425-000	CASE, HEADLIGHT	1	1	1			1		DK, DM, SA, U	
		15	61302-425-000	COLLAR, HEADLIGHT CASE	2	2	2			2		DK, DM, SA, U	
		16	61303-425-010	NUT, HEADLIGHT CASE		2	2			2		DK, DM, SA, U	
		17	61304-292-000	COLLAR, HEADLIGHT SETTING	2	2	2			2		DK, DM, SA, U	
		18	61313-422-000	GROMMET B, HEADLIGHT	2	2	2			2		DK, DM, SA, U	
		19	61315-445-610	BRACKET COMP., HEADLIGHT CASE	1	1	1			1		DK, DM, SA, U	
		20	90120-425-000	BOLT, HEADLIGHT STAY	2	2	2			2		DK, DM, SA, U	
		21	90501-425-000	COLLAR, 6.2X12		2	2			2		DK, DM, SA, U	
		22	93500-05008-0H	SCREW, PAN, 5X8	2	2	2			2		DK, DM, SA, U	
		23	93500-05016-0B	SCREW, PAN, 5X16	2	2	2			2		DK, DM, SA, U	
		24	94101-10000	WASHER, PLAIN, 10MM	2	2	2			2		DK, DM, SA, U	
		25	94111-05000	WASHER, SPRING, 5MM	2	2	2			2		DK, DM, SA, U	
		26	94111-10000	WASHER, SPRING, 10MM	2	2	2			2		DK, DM, SA, U	



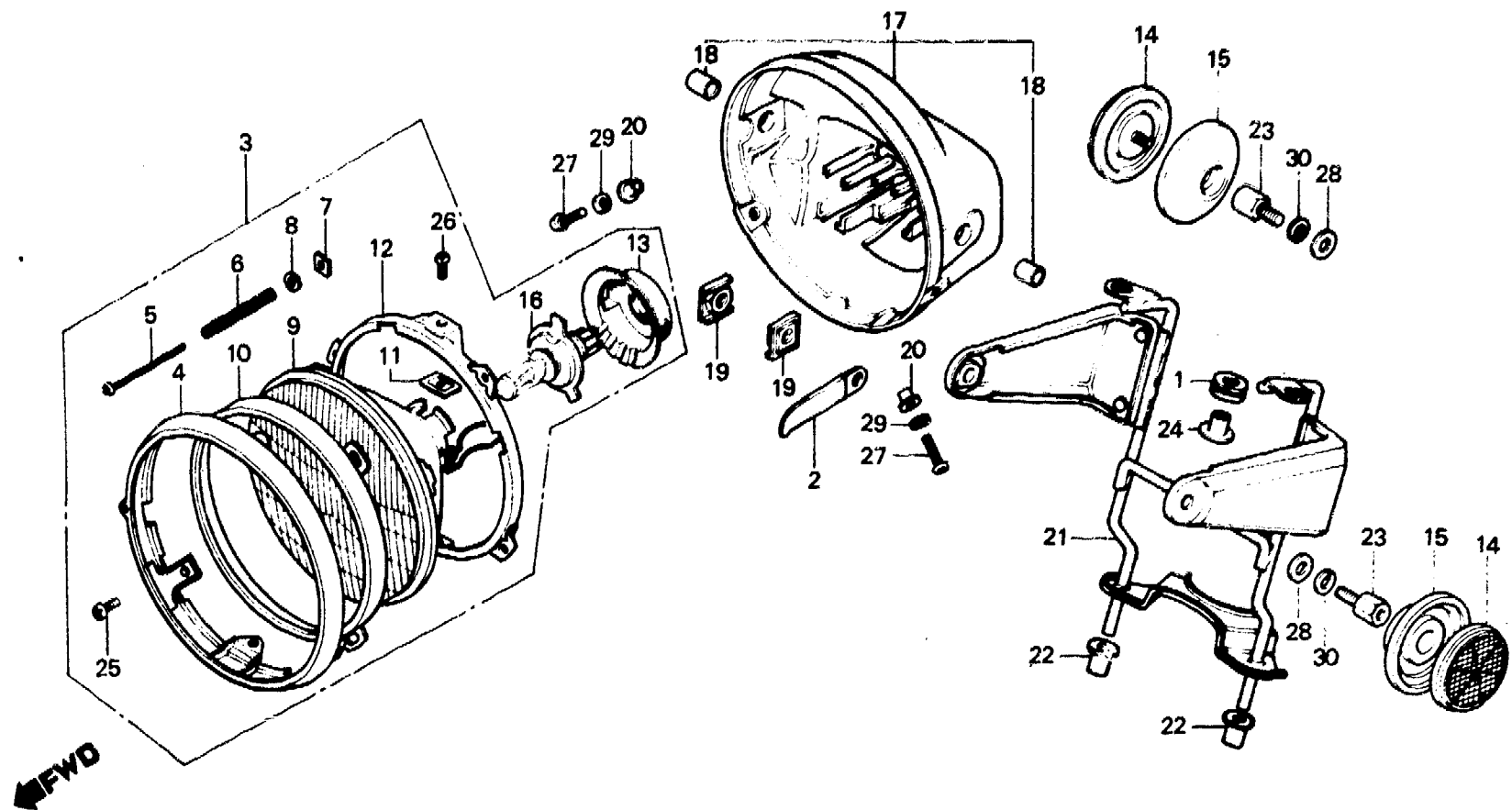
F-1-3

**Headlight
(CB750F_B·F_C-CM)**

**Phare
(CB750F_B·F_C-CM)**

**Scheinwerfer
(CB750F_B·F_C-CM)**

**Faro delantero
(CB750F_B·F_C-CM)**



B445-23A

Service item	F.R.T.	Ref. No.	Part No.	Description	Reqd. No. CB750							Serial No.	Area code
					Fz	FA	F _B	F _C	F2c	F _D	F2o		
HEADLIGHT ASSY.	0.1	1	17245-107-010	RUBBER, AIR CLEANER CASE			2	2					CM
BULB, HEADLIGHT	0.2	2	32173-369-000	CLIP C, WIRE HARNESS			1	1					CM
HEADLIGHT UNIT (INC. RELATIVE PART)	0.6	3	33100-422-671	HEADLIGHT ASSY. (12V 60/55W)			1	1					CM
STAY, HEADLIGHT CASE		4	33101-460-671	RIM, HEADLIGHT			1	1					CM
		5	33103-346-670	SCREW, BEAM ADJUSTING			1	1					CM
		6	33107-300-003	SPRING, HEADLIGHT BEAM ADJUSTING			1	1					CM
		7	33117-001-023	NUT, HEADLIGHT BEAM ADJUSTING			1	1					CM
		8	33119-371-003	WASHER, BEAM ADJUSTING			1	1					CM
		9	33120-431-671	HEADLIGHT UNIT			1	1					CM
		10	33121-405-671	RING, RETAINING			1	1					CM
		11	33128-292-670	NUT, UNIT HOLDER			2	2					CM
		12	33153-422-003	RING, MOUNTING			1	1					CM
		13	33180-422-003	COVER, RUBBER			1	1					CM



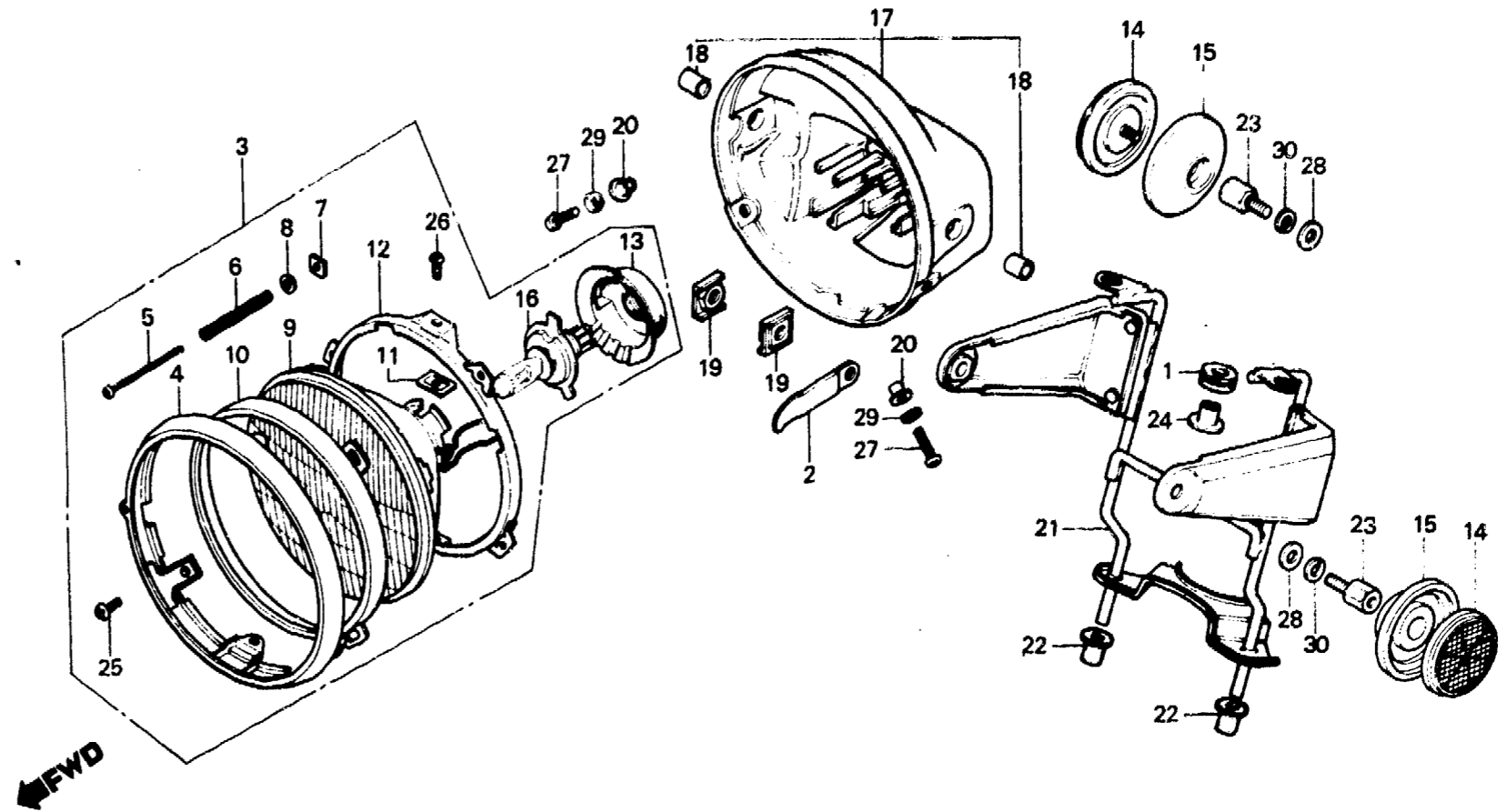
F-1-3

**Headlight
(CB750Fb·Fc·CM)**

**Phare
(CB750Fb·Fc·CM)**

**Scheinwerfer
(CB750Fb·Fc·CM)**

**Faro delantero
(CB750Fb·Fc·CM)**



B445-23A

Service item	F.R.T.	Ref. No.	Part No.	Description	Reqd. No.						Serial No.	Area code
					Fz	FA	Fb	Fc	F2c	Fd		
		14	33741-413-003	REFLECTOR, FR. REFLEX (STANLEY)			2	2				CM
		15	33743-425-600	BASE, FR. REFLECTOR			2	2				CM
		16	34901-371-601	H4 BULB(12342/99) MFD. BY PHILIPS (LOCAL PROCUREMENT PART)			1	1				CM
		17	61301-425-000	CASE, HEADLIGHT			1	1				CM
		18	61302-425-000	COLLAR, HEADLIGHT CASE			2	2				CM
		19	61303-425-010	NUT, HEADLIGHT CASE			2	2				CM
		20	61304-292-000	COLLAR, HEADLIGHT SETTING			2	2				CM
		21	61311-445-770	STAY, HEADLIGHT CASE			1	1				CM
		22	61313-422-000	GROMMET B, HEADLIGHT			2	2				CM
		23	90120-425-000	BOLT, HEADLIGHT STAY			2	2				CM
		24	90501-425-000	COLLAR, 6.2X12			2	2				CM
		25	93500-03008-1A	SCREW, PAN, 3X8			2	2				CM
		26	93500-05008-0H	SCREW, PAN, 5X8			2	2				CM
		27	93500-05016-0B	SCREW, PAN, 5X16			2	2				CM
		28	94101-10000	WASHER, PLAIN, 10MM			2	2				CM
		29	94111-05000	WASHER, SPRING, 5MM			2	2				CM

H 11

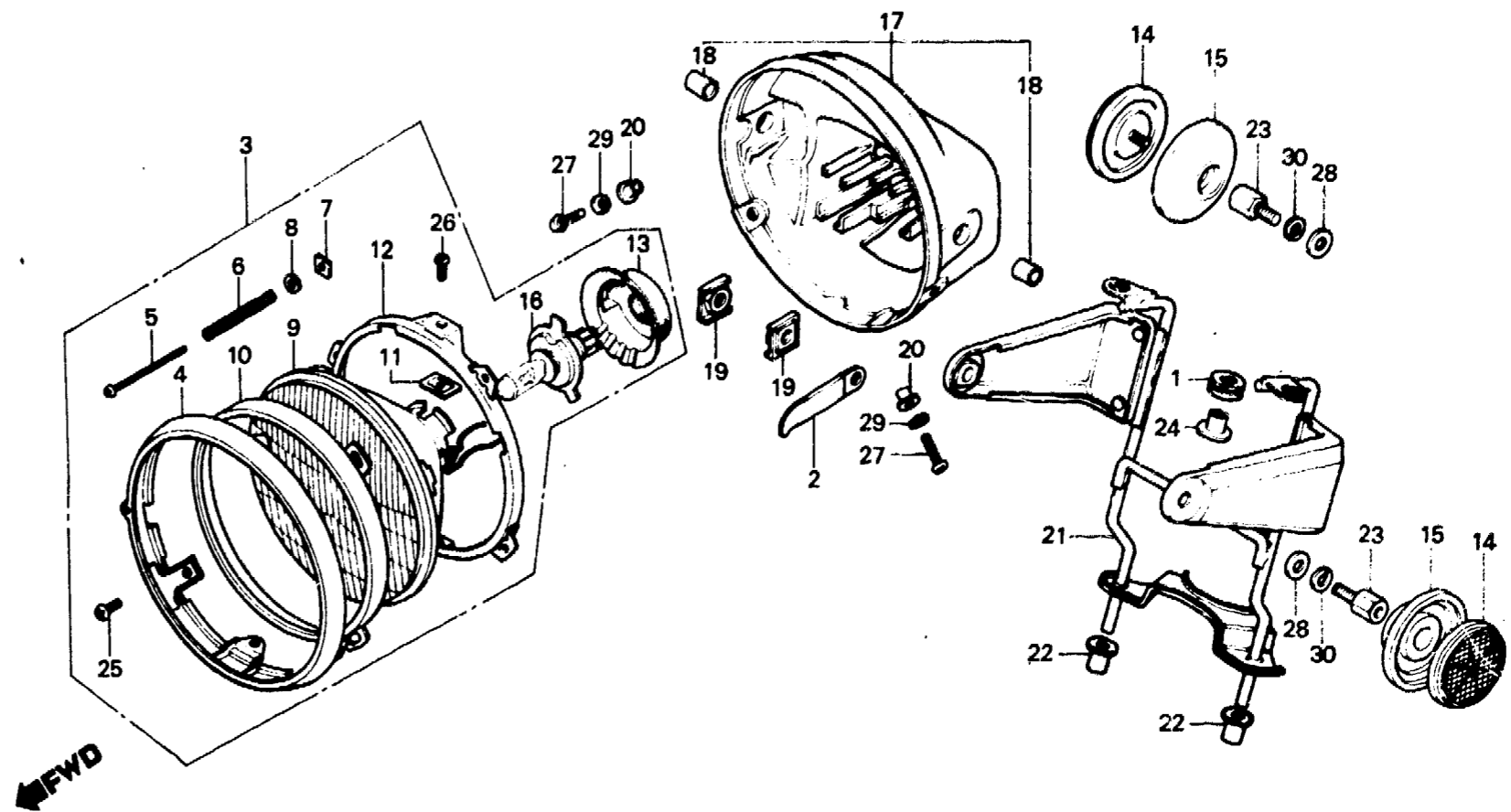
F-1-3

Headlight
(CB750FB·FC·CM)

Phare
(CB750FB·FC·CM)

Scheinwerfer
(CB750FB·FC·CM)

Faro delantero
(CB750FB·FC·CM)



B445-23A

Service item	F.R.T.	Ref. No.	Part No.	Description	Reqd. No.						Serial No.	Area code
					Fz	FA	Fb	Fc	F2c	Fd		
		30	94111-10000	WASHER, SPRING, 10MM			2	2				CM

1982.09.20

E

H11

H 12

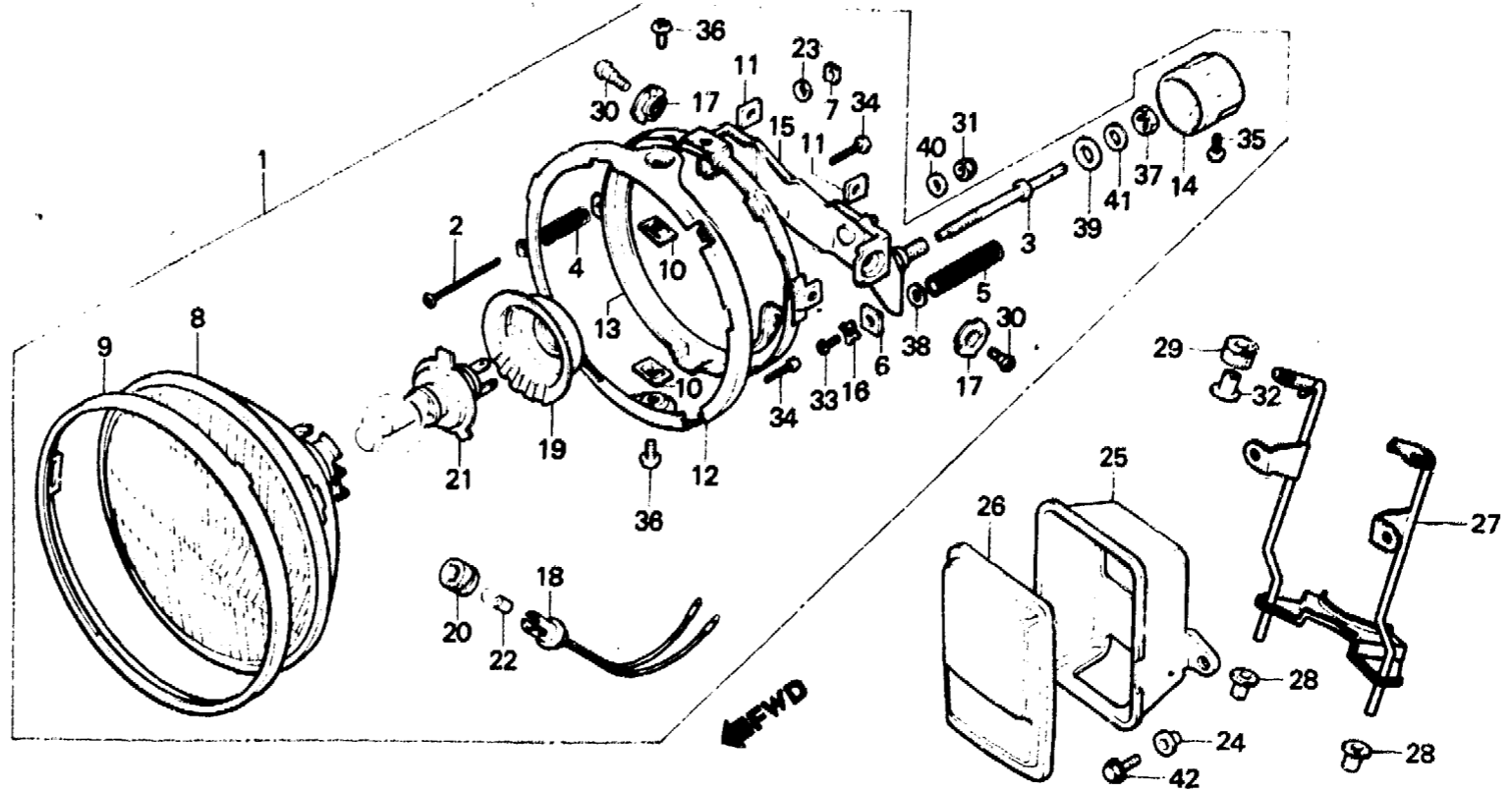
F-1-4

Headlight
(CB750F2c·F2d-E,ED,F,G,IT,U)

Phare
(CB750F2c·F2d-E,ED,F,G,IT,U)

Scheinwerfer
(CB750F2c·F2d-E,ED,F,G,IT,U)

Faro delantero
(CB750F2c·F2d-E,ED,F,G,IT,U)



B438-52A

Service item	F.R.T.	Ref. No.	Part No.	Description	Reqd. No.						Serial No.	Area code
					Fz	FA	Fb	Fc	F2c	Fd		
HEADLIGHT ASSY.	0.2	1	33100-438-841	HEADLIGHT ASSY.					1	1		E,U
BULB, HEADLIGHT			33100-438-851	HEADLIGHT ASSY.					1	1		ED,G,IT
HEADLIGHT UNIT	0.3		33100-438-931	HEADLIGHT ASSY.					1			F
(INC. RELATIVE PART)												
HOLDER, COUPLER		2	33103-346-670	SCREW, BEAM ADJUSTING					1	1		E,ED,F,G,U,IT
BRACKET, HEADLIGHT		3	33103-438-841	SCREW, BEAM ADJUSTING					1	1		E,ED,F,G,U,IT
RING B, MOUNTING	0.4	4	33107-300-003	SPRING, HEADLIGHT BEAM					1	1		E,ED,F,G,U,IT
BRACKET, HEADLIGHT CASE	0.5	5	33107-438-841	SPRING, HEADLIGHT BEAM ADJUSTING					1	1		E,ED,F,G,U,IT
		6	33117-438-841	NUT, BEAM ADJUSTING					1	1		E,ED,F,G,U,IT
		7	33118-438-841	NUT, BEAM ADJUSTING					1	1		E,ED,F,G,U,IT
		8	33120-371-601	HEADLIGHT UNIT					1	1		E,U
			33120-371-611	HEADLIGHT UNIT					1	1		ED,F,G
		9	33121-463-771	RING, RETAINING					1	1		E,ED,F,G,U,IT
		10	33128-292-670	NUT, UNIT HOLDER					2	2		E,ED,F,G,U,IT

H 13

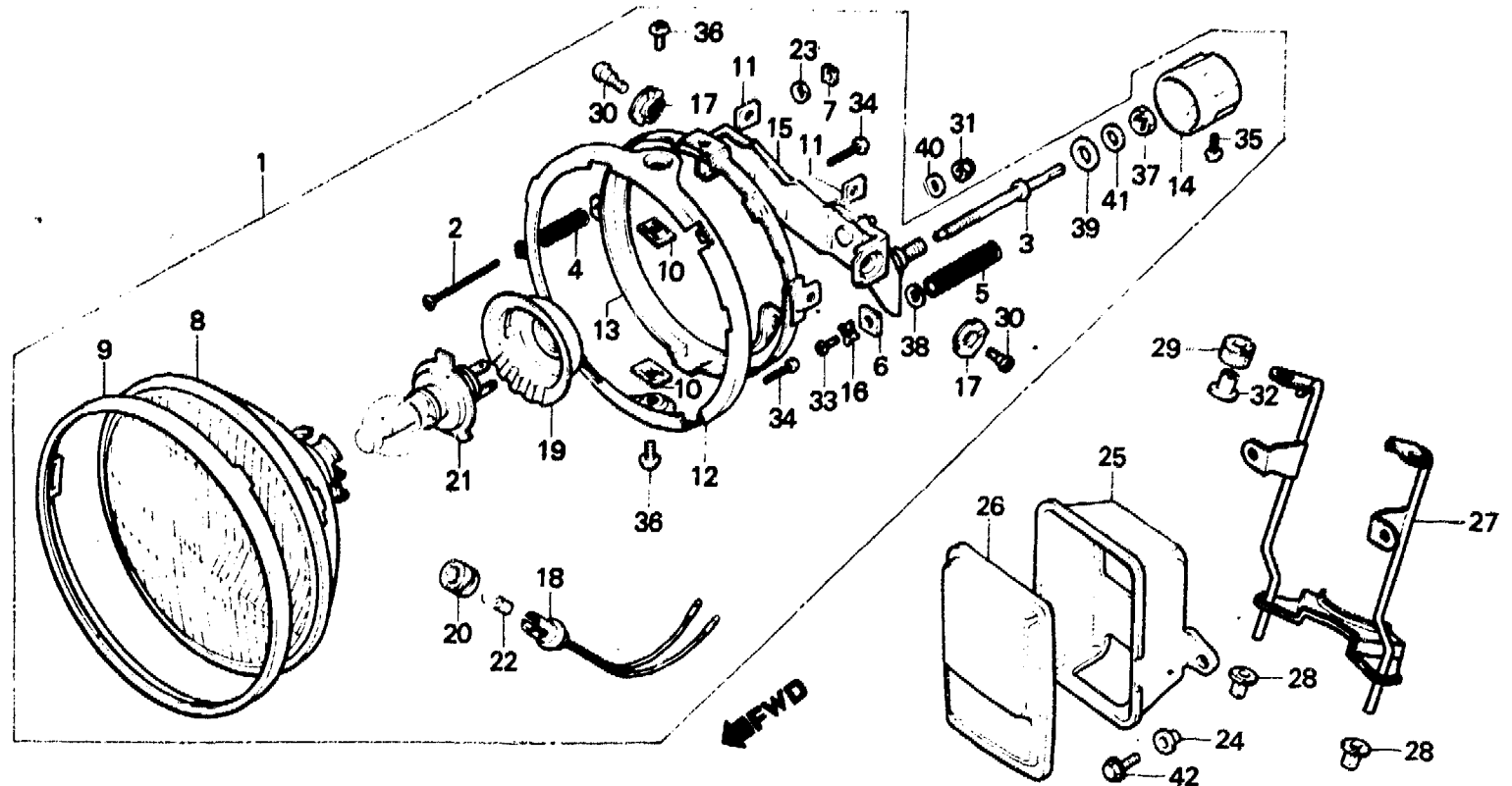
F-1-4

Headlight
(CB750F2c-F2d-E,ED,F,G,IT,U)

Phare
(CB750F2c-F2d-E,ED,F,G,IT,U)

Scheinwerfer
(CB750F2c-F2d-E,ED,F,G,IT,U)

Faro delantero
(CB750F2c-F2d-E,ED,F,G,IT,U)



B438-52A

Service item	F.R.T.	Ref. No.	Part No.	Description	Reqd. No. CB750				Serial No.	Area code	
					Fz	FA	Fb	Fc			F2c
		11	33128-438-841	NUT, UNIT HOLDER					2	2	E,ED,F,G,U,IT
		12	33153-463-771	RING A, MOUNTING					1	1	E,ED,F,G,U,IT
		13	33154-438-841	RING B, MOUNTING					1	1	E,ED,F,G,U,IT
		14	33155-463-771	KNOB, BEAM ADJUSTING					1	1	E,ED,F,G,U,IT
		15	33156-438-841	BRACKET, HEADLIGHT					1	1	E,ED,F,G,U,IT
		16	33157-463-771	WASHER, SPRING					1	1	E,ED,F,G,U,IT
		17	33165-463-771	WASHER, HEADLIGHT					2	2	E,ED,F,G,U,IT
		18	33170-390-611	SOCKET COMP., MARKER LIGHT					1	1	E,ED,F,G,U,IT
		19	33180-422-003	COVER, RUBBER					1	1	E,ED,F,G,U,IT
		20	33905-371-601	RUBBER, JOINT					1	1	E,ED,F,G,U,IT
		21	34901-371-601	H4 BULB(12342/99) MFD. BY PHILIPS (LOCAL PROCUREMENT PART)					1	1	E,ED,G,U,IT
			34901-371-621	H4 BULB(12342/99) MFD. BY PHILIPS (LOCAL PROCUREMENT PART)					1		F
		22	34903-388-611	BULB, POSITION (12V 4W) (LOCAL PROCUREMENT PART)					1	1	E,ED,F,G,U,IT
		23	33119-371-003	WASHER, BEAM ADJUSTING					1	1	E,ED,F,G,U,IT

H 14

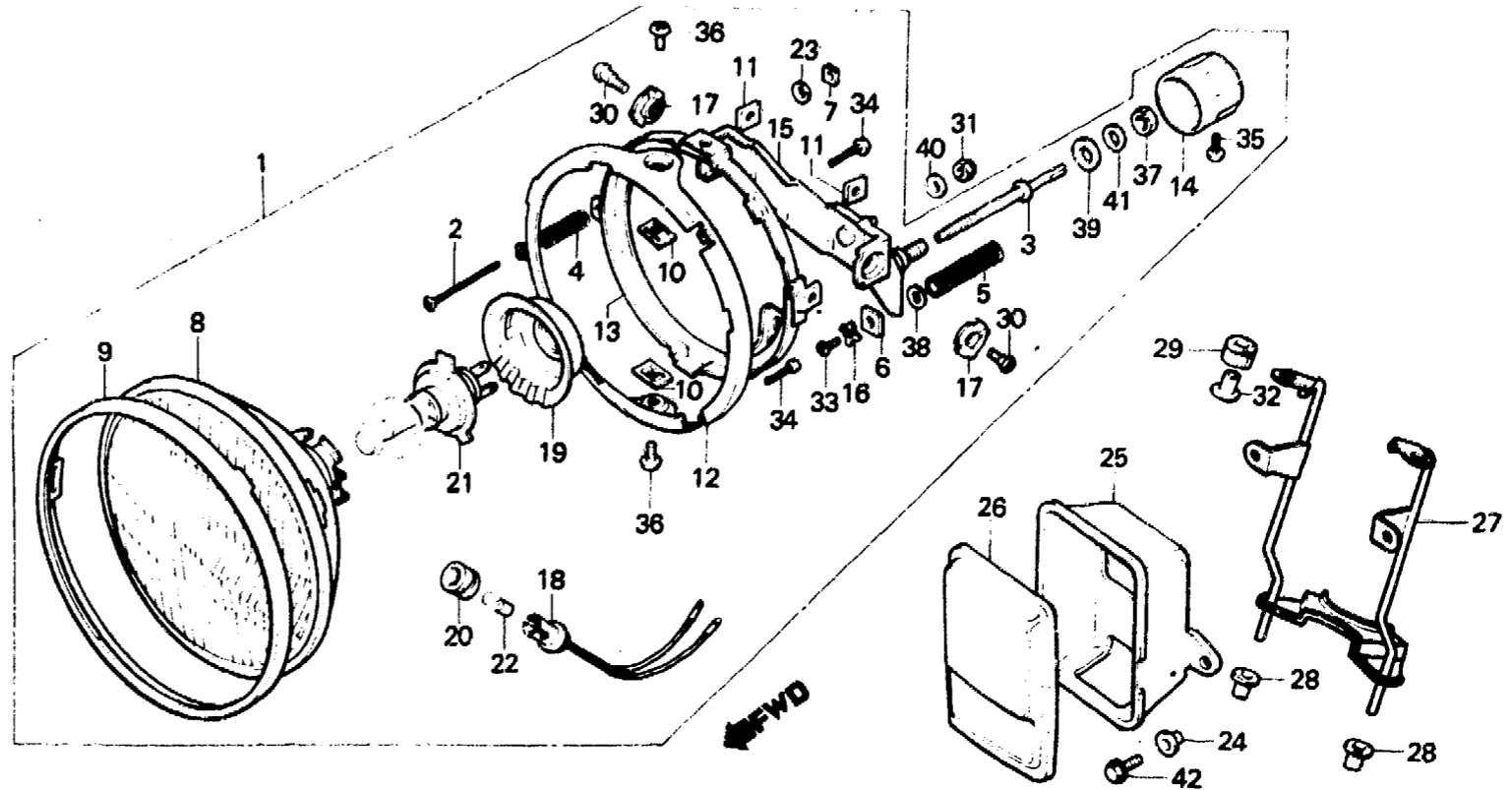
F-1-4

Headlight
(CB750F2c·F2d-E,ED,F,G,IT,U)

Phare
(CB750F2c·F2d-E,ED,F,G,IT,U)

Scheinwerfer
(C3750F2c·F2d-E,ED,F,G,IT,U)

Faro delantero
(CB750F2c·F2d-E,ED,F,G,IT,U)



B438-52A

Service item	F.R.T.	Ref. No.	Part No.	Description	Reqd. No. CB750						Serial No.	Area code
					Fz	Fa	Fb	Fc	F2c	Fd		
		24	61101-441-000	COLLAR, FR. FENDER SETTING						2	2	E,ED,F,G,U,IT
		25	61305-438-850	HOLDER, COUPLER						1	1	E,ED,F,G,U,IT
		26	61306-438-850	COVER, HOLDER						1	1	E,ED,F,G,U,IT
		27	61311-MC3-610	BRACKET, HEADLIGHT CASE						1	1	E,ED,F,G,U,IT
		28	61313-422-000	GROMMET B, HEADLIGHT						2	2	E,ED,F,G,U,IT
		29	61316-438-000	RUBBER, HEADLIGHT STAY						2	2	E,ED,F,G,U,IT
		30	90150-463-771	SCREW, PAN, 5X10						2	2	E,ED,F,G,U,IT
		31	90301-693-000	NUT, OPEN STAY, 6MM						1	1	E,ED,F,G,U,IT
		32	90501-438-000	COLLAR, 6X14.8						2	2	E,ED,F,G,U,IT
		33	93500-03008-0H	SCREW, PAN, 3X8						1	1	E,ED,F,G,U,IT
		34	93500-03012-1A	SCREW, PAN, 3X12						2	2	E,ED,F,G,U,IT
		35	93500-03014-0G	SCREW, PAN, 3X14						1	1	E,ED,F,G,U,IT
		36	93500-05008-0H	SCREW, PAN, 5X8						2	2	E,ED,F,G,U,IT
		37	94002-12080-0S	NUT, HEX., 12MM						1	1	E,ED,F,G,U,IT
		38	94101-06800	WASHER, PLAIN, 6MM						1	1	E,ED,F,G,U,IT

H 15

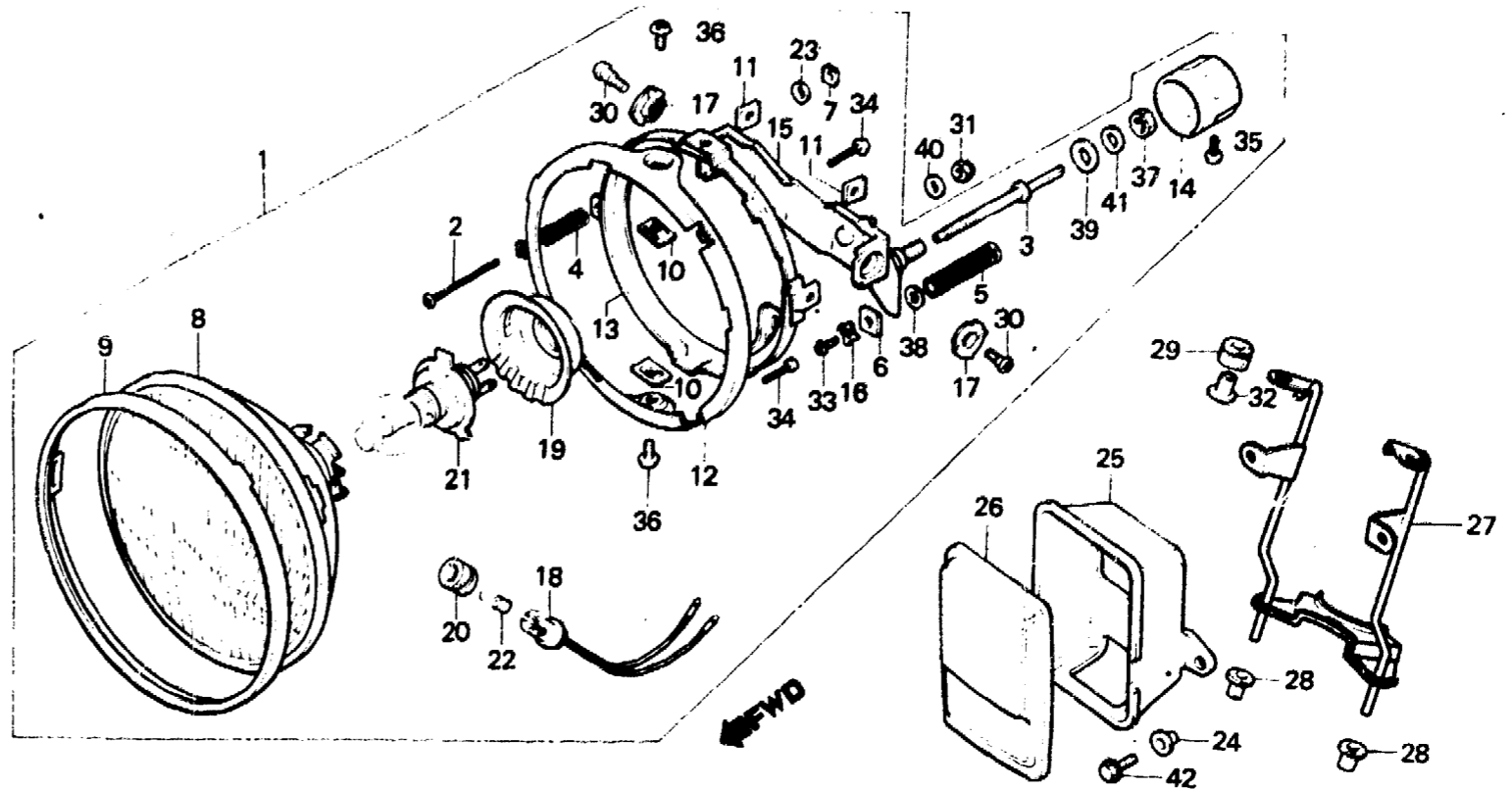
F-1-4

Headlight
(CB750F2c·F2d-E,ED,F,G,IT,U)

Phare
(CB750F2c·F2d-E,ED,F,G,IT,U)

Scheinwerfer
(CB750F2c·F2d-E,ED,F,G,IT,U)

Faro delantero
(CB750F2c·F2d-E,ED,F,G,IT,U)



B438-52A

Service item	F.R.T.	Ref. No.	Part No.	Description	Reqd. No.							Serial No.	Area code
					Fz	Fa	Fb	Fc	F2c	Fd	F2d		
		39	94101-12800	WASHER, PLAIN, 12MM						1	1		E,ED,F,G,U,IT
		40	94103-06700	WASHER, PLAIN, 6MM						1	1		E,ED,F,G,U,IT
		41	94111-12800	WASHER, SPRING, 12MM						1	1		E,ED,F,G,U,IT
		42	95700-06012-00	BOLT, FLANGE, 6X12						2	2		E,ED,F,G,U,IT

H 16

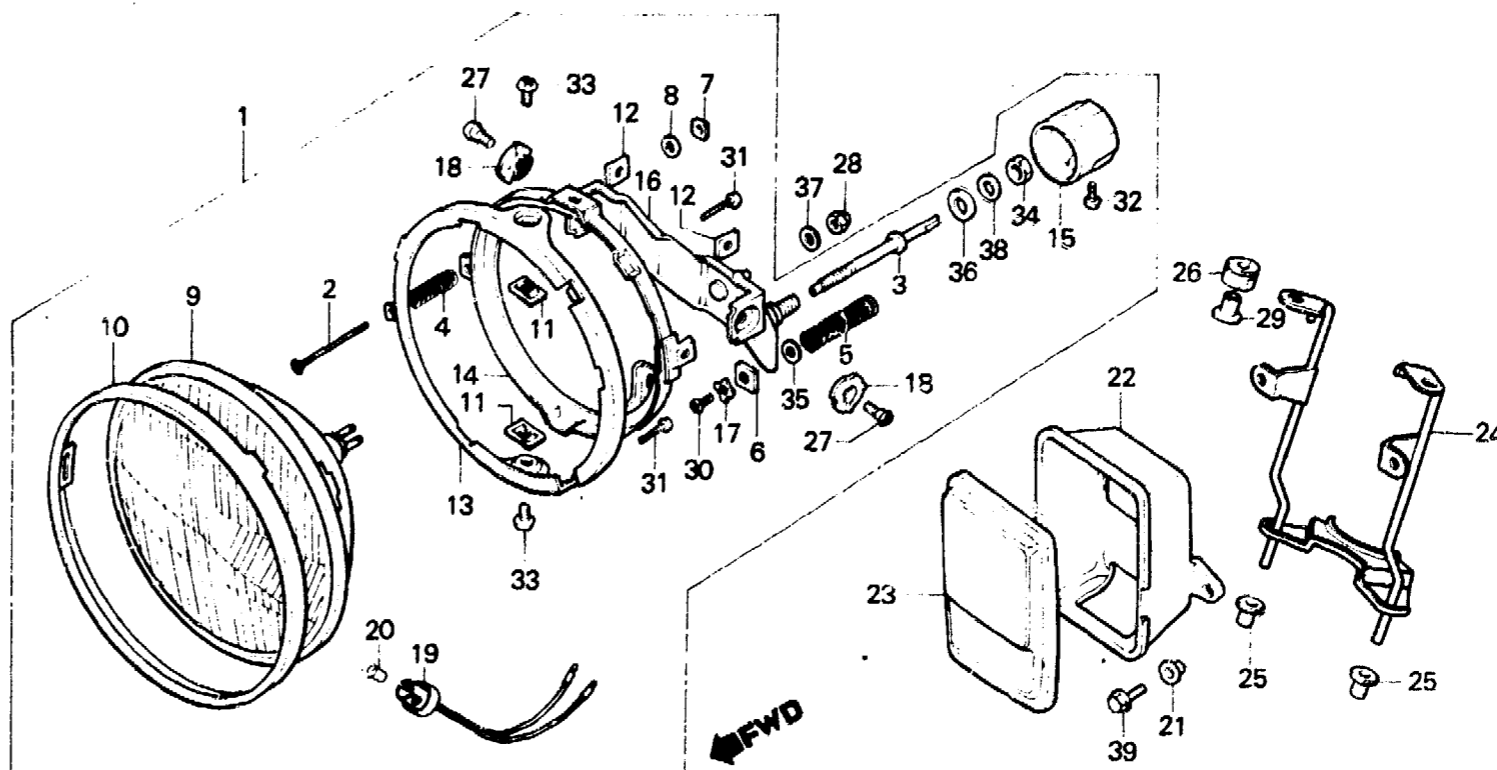
F-1-5

Headlight
(CB750F2c·F2D-DK,DM,SA)

Phare
(CB750F2c·F2D-DK,DM,SA)

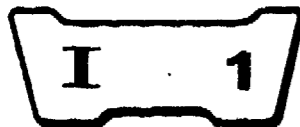
Scheinwerfer
(CB750F2c·F2D-DK,DM,SA)

Faro delantero
(CB750F2c·F2D-DK,DM,SA)



B438-53A

Service item	F.R.T.	Ref. No.	Part No.	Description	Reqd. No. CB750						Serial No.	Area code
					Fz	FA	Fb	Fc	F2c	Fp		
HEADLIGHT ASSY.	0.2	1	33100-438-951	HEADLIGHT ASSY.					1	1		DK,DM,SA
SOCKET COMP., MARKER LIGHT		2	33103-346-670	SCREW, BEAM ADJUSTING					1	1		DK,DM,SA
HEADLIGHT UNIT	0.3	3	33103-438-841	SCREW, BEAM ADJUSTING					1	1		DK,DM,SA
(INC. RELATIVE PART)		4	33107-300-003	SPRING, HEADLIGHT BEAM					1	1		DK,DM,SA
HOLDER, COUPLER				ADJUSTING								
RING B, MOUNTING	0.4	5	33107-438-841	SPRING, HEADLIGHT BEAM					1	1		DK,DM,SA
BRACKET, HEADLIGHT				ADJUSTING								
BRACKET, HEADLIGHT CASE	0.5											
		6	33117-438-841	NUT, BEAM ADJUSTING					1	1		DK,DM,SA
		7	33118-438-841	NUT, BEAM ADJUSTING					1	1		DK,DM,SA
		8	33119-371-003	WASHER, BEAM ADJUSTING					1	1		DK,DM,SA
		9	33120-415-003	HEADLIGHT UNIT (STANLEY)					1	1		DK,DM,SA
		10	33121-463-771	RING, RETAINING					1	1		DK,DM,SA
		11	33128-292-670	NUT, UNIT HOLDER					2	2		DK,DM,SA
		12	33128-438-841	NUT, UNIT HOLDER					2	2		DK,DM,SA



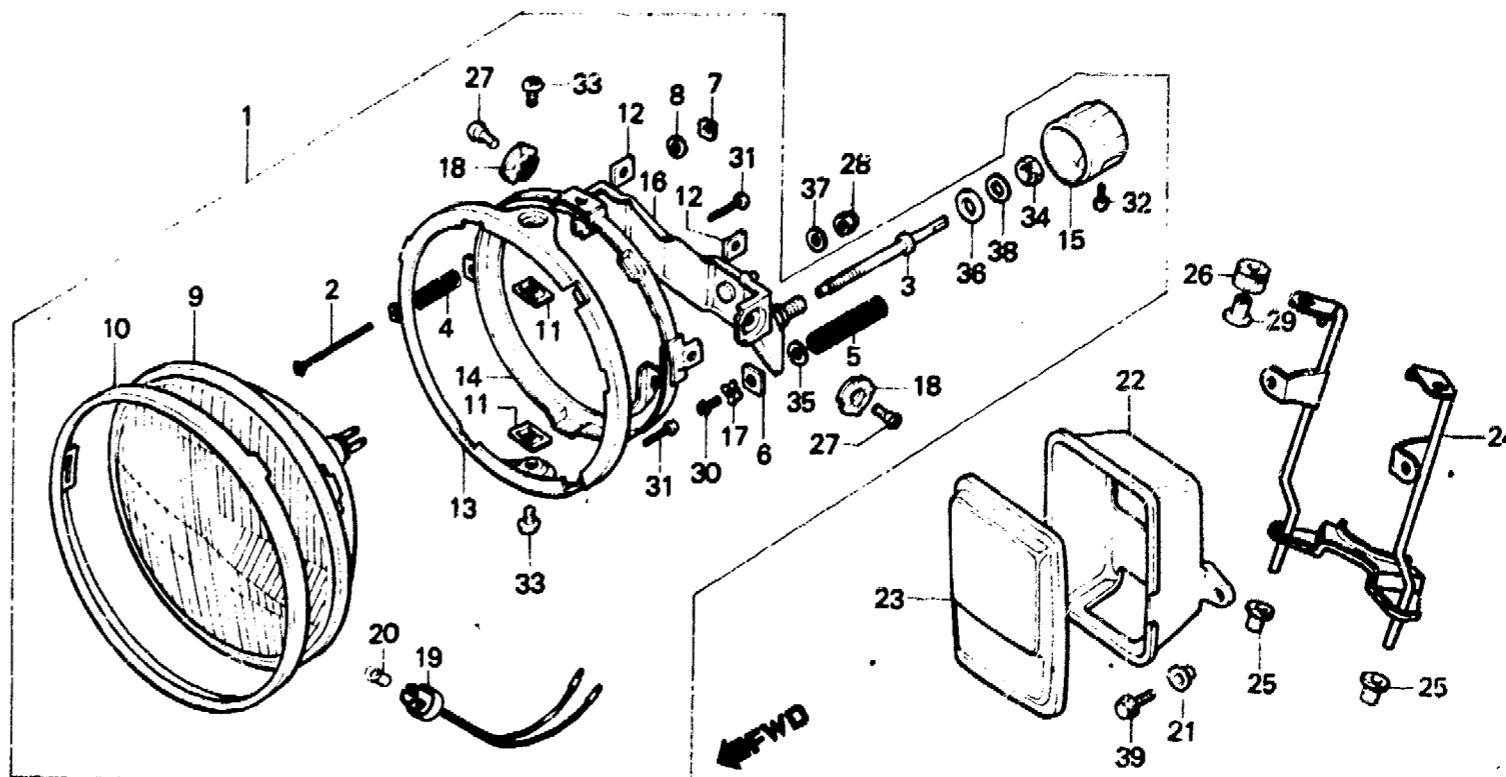
F-1-5

Headlight
(CB750F2c·F2D-DK,DM,SA)

Phare
(CB750F2c·F2D-DK,DM,SA)

Scheinwerfer
(CB750F2c·F2D-DK,DM,SA)

Faro delantero
(CB750F2c·F2D-DK,DM,SA)



B438-53A

Service item	F.R.T.	Ref. No.	Part No.	Description	Reqd. No.						Serial No.	Area code	
					Fz	FA	Fb	Fc	F2c	Fd			F2D
		13	33153-463-771	RING A, MOUNTING						1	1		DK,DM,SA
		14	33154-438-841	RING B, MOUNTING						1	1		DK,DM,SA
		15	33155-463-771	KNOB, BEAM ADJUSTING						1	1		DK,DM,SA
		16	33156-438-841	BRACKET, HEADLIGHT						1	1		DK,DM,SA
		17	33157-463-771	WASHER, SPRING						1	1		DK,DM,SA
		18	33165-463-771	WASHER, HEADLIGHT						2	2		DK,DM,SA
		19	33170-323-003	SOCKET COMP., MARKER LIGHT						1	1		DK,DM,SA
		20	34903-071-003	BULB, MARKER LIGHT (12V 3.4W) (STANLEY)						1	1		DK,DM,SA
		21	61101-441-000	COLLAR, FR. FENDER SETTING						2	2		DK,DM,SA
		22	61305-438-850	HOLDER, COUPLER						1	1		DK,DM,SA
		23	61306-438-850	COVER, HOLDER						1	1		DK,DM,SA
		24	61311-MC3-610	BRACKET, HEADLIGHT CASE						1	1		DK,DM,SA
		25	61313-422-000	GROMMET B, HEADLIGHT						2	2		DK,DM,SA
		26	61316-438-000	RUBBER, HEADLIGHT STAY MOUNTING						2	2		DK,DM,SA

I 2

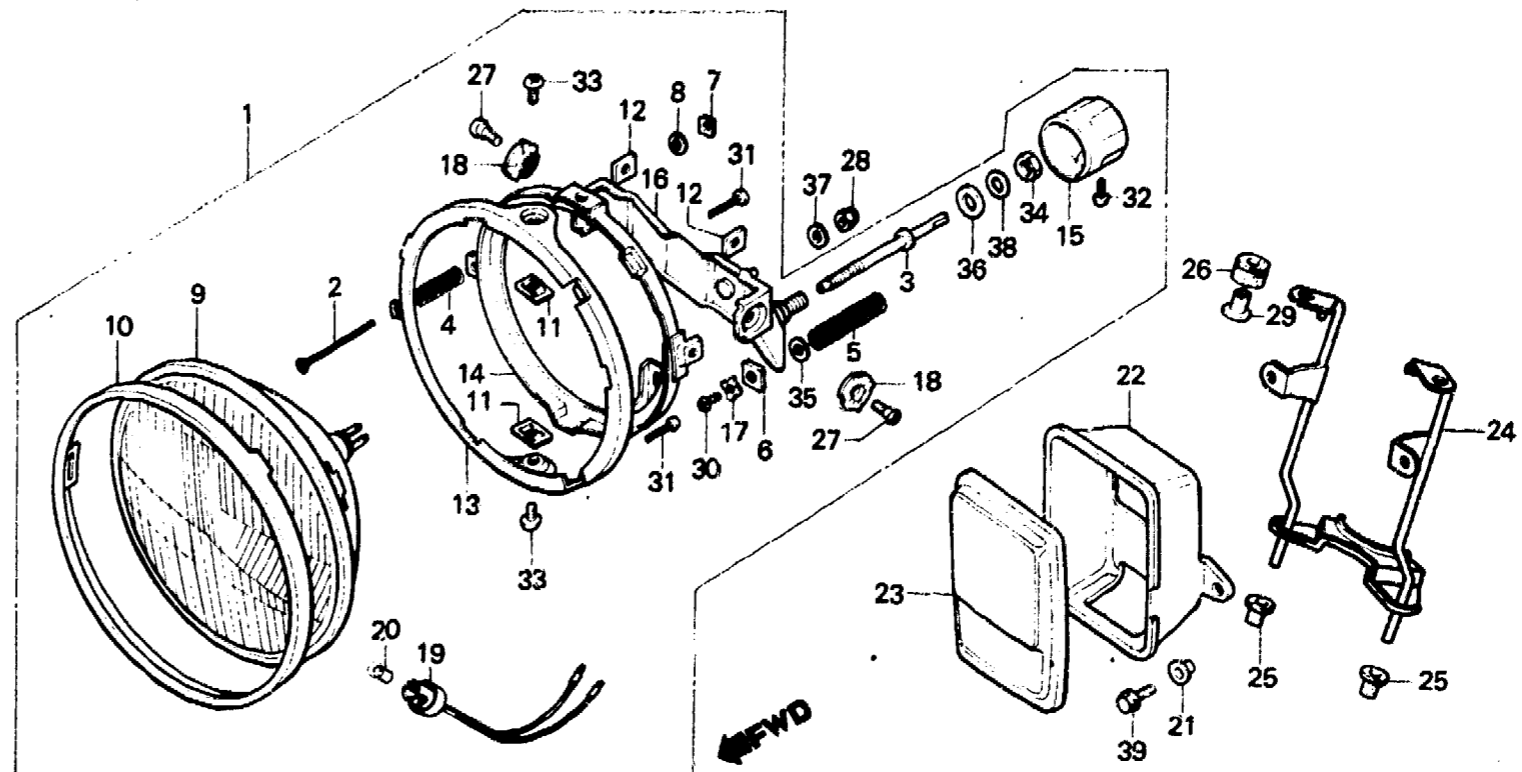
F-1-5

Headlight
(CB750F2c·F2d-DK,DM,SA)

Phare
(CB750F2c·F2d-DK,DM,SA)

Scheinwerfer
(CB750F2c·F2d-DK,DM,SA)

Faro delantero
(CB750F2c·F2d-DK,DM,SA)



B438-53A

Service item	F.R.T.	Ref. No.	Part No.	Description	Reqd. No.						Serial No.	Area code	
					Fz	FA	Fb	Fc	F2c	Fd			F2d
		27	90150-463-771	SCREW, PAN, 5X10						2	2		DK,DM,SA
		28	90301-693-000	NUT, OPEN STAY, 6MM						1	1		DK,DM,SA
		29	90501-438-000	COLLAR, 6X14.8						2	2		DK,DM,SA
		30	93500-03008-0H	SCREW, PAN, 3X8						1	1		DK,DM,SA
		31	93500-03012-1A	SCREW, PAN, 3X12						2	2		DK,DM,SA
		32	93500-03014-0G	SCREW, PAN, 3X14						1	1		DK,DM,SA
		33	93500-05008-0H	SCREW, PAN, 5X8						2	2		DK,DM,SA
		34	94002-12080-0S	NUT, HEX., 12MM						1	1		DK,DM,SA
		35	94101-06800	WASHER, PLAIN, 6MM						1	1		DK,DM,SA
		36	94101-12800	WASHER, PLAIN, 12MM						1	1		DK,DM,SA
		37	94103-06700	WASHER, PLAIN, 6MM						1	1		DK,DM,SA
		38	94111-12800	WASHER, SPRING, 12MM						1	1		DK,DM,SA
		39	95700-06012-00	BOLT, FLANGE, 6X12						2	2		DK,DM,SA

I 3

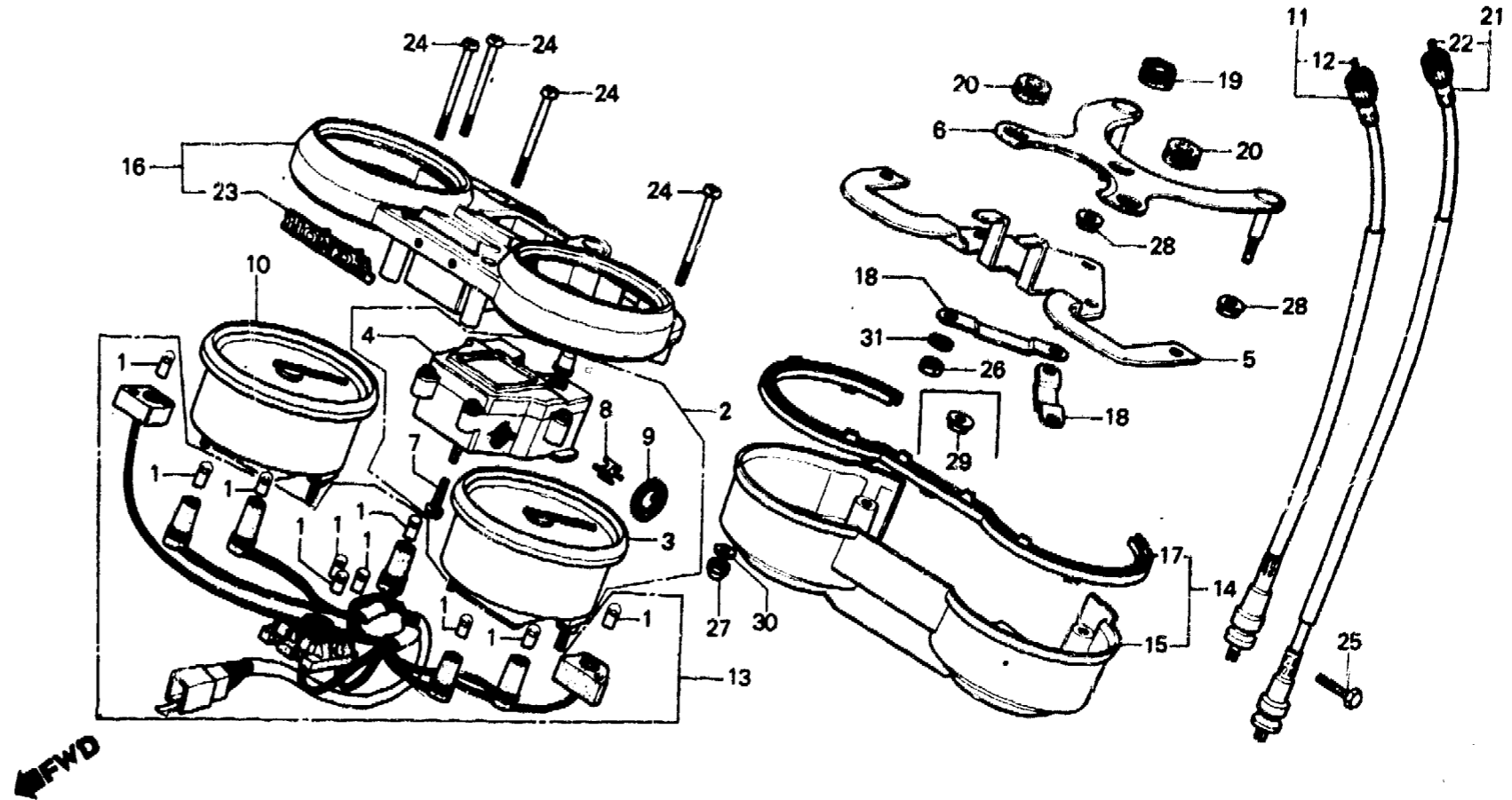
F-2

Meter

Compteurs

Messer

Medidor



B425-23C

Service item	F.R.T.	Ref. No.	Part No.	Description	Reqd. No. CB750							Serial No.	Area code
					Fz	FA	Fa	Fc	F2c	Fd	F2d		
BULB, DASH (WHEN SERVICING COMP., UNIT, F.R.T. IS 0.3.)	0.2	1	34902-259-000	BULB, DASH (12V3.4W)	10	10	10	10	10	10	10		
		2	37200-445-721	SPEEDOMETER ASSY. (KPH/MPH)	1								
			37200-425-721	SPEEDOMETER ASSY. (KPH ND)		1						2115050	CM
•CABLE ASSY., TACHOMETER			37110-425-611	SPEEDOMETER ASSY. (KPH ND)		1							DK,ED,F,G,SA,U
SPEEDOMETER ASSY.	0.3		37110-425-671	SPEEDOMETER ASSY. (MPH ND)		1							DM,E
•ODDOMETER ASSY.			37110-425-721	SPEEDOMETER ASSY. (KPH ND)		1					2115051		CM
•TACHOMETER ASSY.		3	37200-425-612	SPEEDOMETER ASSY. (KPH ND)		1							DK,ED,F,G,SA,U
STAY A, METER SETTING	0.4		37200-425-672	SPEEDOMETER ASSY. (MPH ND)		1							DM,E
•STAY B, METER SETTING			37200-425-722	SPEEDOMETER ASSY. (KPH ND)		1					2115051		CM
•COVER, METER LOWER			37200-MA4-601	SPEEDOMETER ASSY. (MPH ND)			1	1	1	1			DM,E
CABLE, TACHOMETER INNER	0.1		37200-MA4-611	SPEEDOMETER ASSY. (KPH ND)			1	1	1	1	1		DK,ED,F,G, SA,U,IT
•COVER, METER UPPER													
•CABLE ASSY., SPEEDOMETER													
CORD COMP., METER	0.5												

I 4

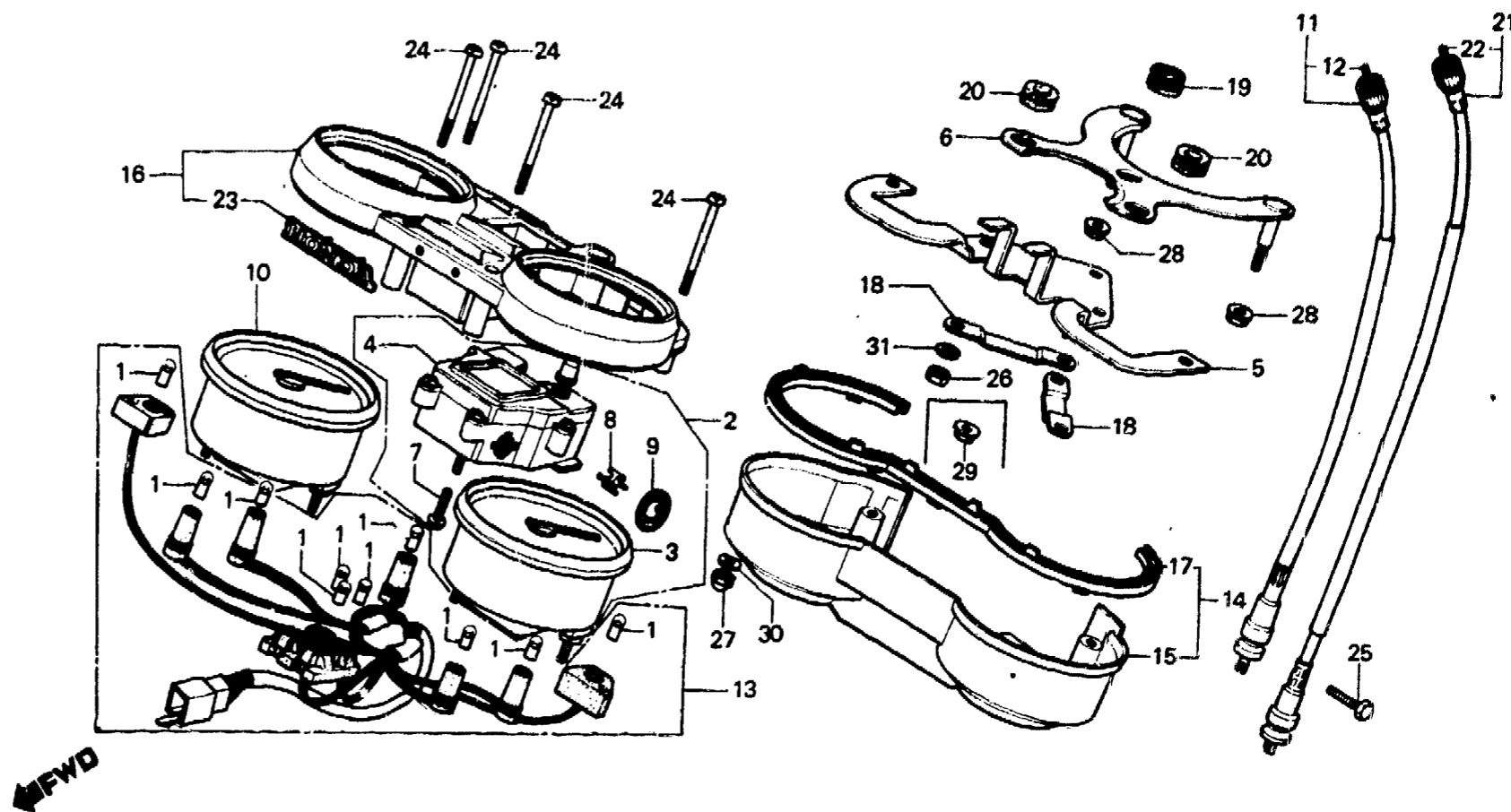
F-2

Meter

Compteurs

Messer

Medidor



B425-23C

Service item	F.R.T.	Ref. No.	Part No.	Description	Reqd. No. CB750							Serial No.	Area code
					Fz	FA	Fb	Fc	F2c	Fd	F2d		
		4	37200-MA4-721	SPEEDOMETER ASSY. (KPH ND)			1	1					CM
		4	37210-425-009	ODDOMETER ASSY. (KPH ND)	1	1	1	1	1	1	1		CM,DK,ED,F,G,SA U,IT
		5	37210-425-671	ODDOMETER ASSY. (MPH ND)		1	1	1	1	1			DM,E
		5	37211-425-009	STAY A, METER SETTING	1	1	1	1	1	1	1		
		6	37212-425-009	STAY B, METER SETTING	1	1	1	1	1	1	1		
		7	37213-425-000	SCREW, PAN, 4X20	2	2	2	2	2	2	2		
		8	37214-425-009	JOINT, ODDOMETER	1	1	1	1	1	1	1		
		9	37215-425-000	RUBBER, SUB COMBINATION METER	1	1	1	1	1	1	1		
		10	37250-445-009	TACHOMETER ASSY.	1								
			37250-425-771	TACHOMETER ASSY.		1						2115050	CM
			37250-425-772	TACHOMETER ASSY. (ND)		1							E,ED,F,G
			37250-425-602	TACHOMETER ASSY. (ND)		1							SA
			37250-425-762	TACHOMETER ASSY. (ND)		1					2115051		CM
			37250-425-772	TACHOMETER ASSY. (ND)		1							DK,DM,U

I 5

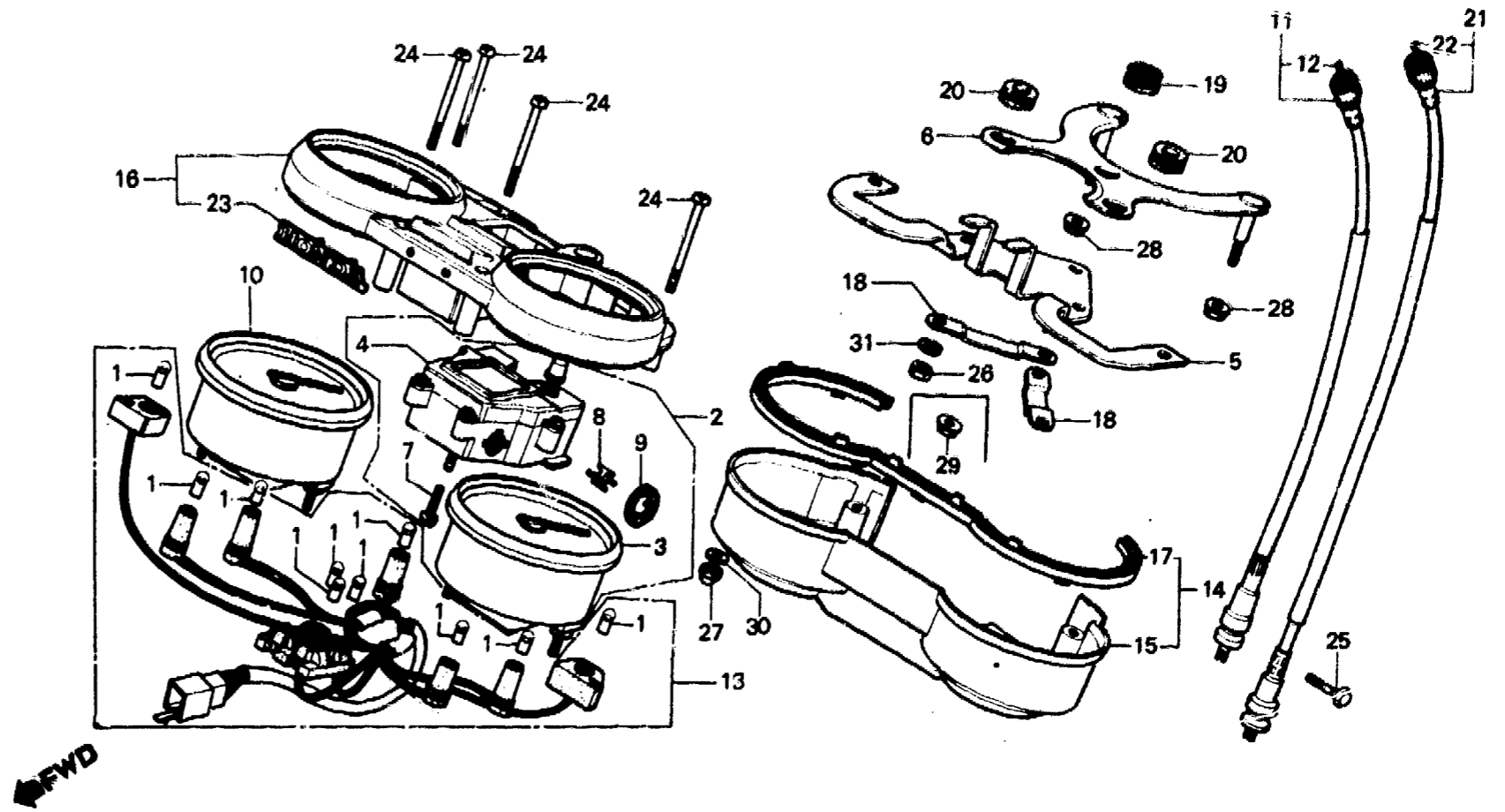
F-2

Meter

Compteurs

Messer

Medidor



8425-23C

Service item	F.R.T.	Ref. No.	Part No.	Description	Reqd. No. CB750							Serial No.	Area code
					Fz	FA	Fa	Fc	F2c	rD	F2D		
			37250-MA4-601	TACHOMETER ASSY. (ND)			1	1	1	1	1		E,ED,F,G,SA,IT CM,DK,DM,U
			37250-MA4-671	TACHOMETER ASSY.			1	1	1	1	1		
		11	37260-425-000	CABLE ASSY., TACHOMETER	1	1							
			37260-MA5-670	CABLE ASSY., TACHOMETER			1	1	1	1	1		
		12	37261-425-000	CABLE, TACHOMETER INNER	1	1	1	1	1	1	1		
		13	37612-425-671	CORD COMP., METER	1	1	1	1	1	1	1		
		14	37617-425-009	COVER, METER LOWER	1								
		15	37617-425-019	COVER, METER LOWER		1	1	1	1	1	1		
		16	37620-425-671	COVER, METER UPPER	1	1							
			37620-MA4-671	COVER, METER UPPER			1	1	1	1	1		
		17	37621-425-009	RING, METER COVER	1	1	1	1	1	1	1		
		18	37622-425-009	CLAMP, CORD	2	2	2	2	2	2	2		
		19	37630-425-009	RUBBER, CUSHION	1	1	1	1	1	1	1		
		20	37631-425-009	RUBBER, CUSHION	2	2	2	2	2	2	2		

I 6

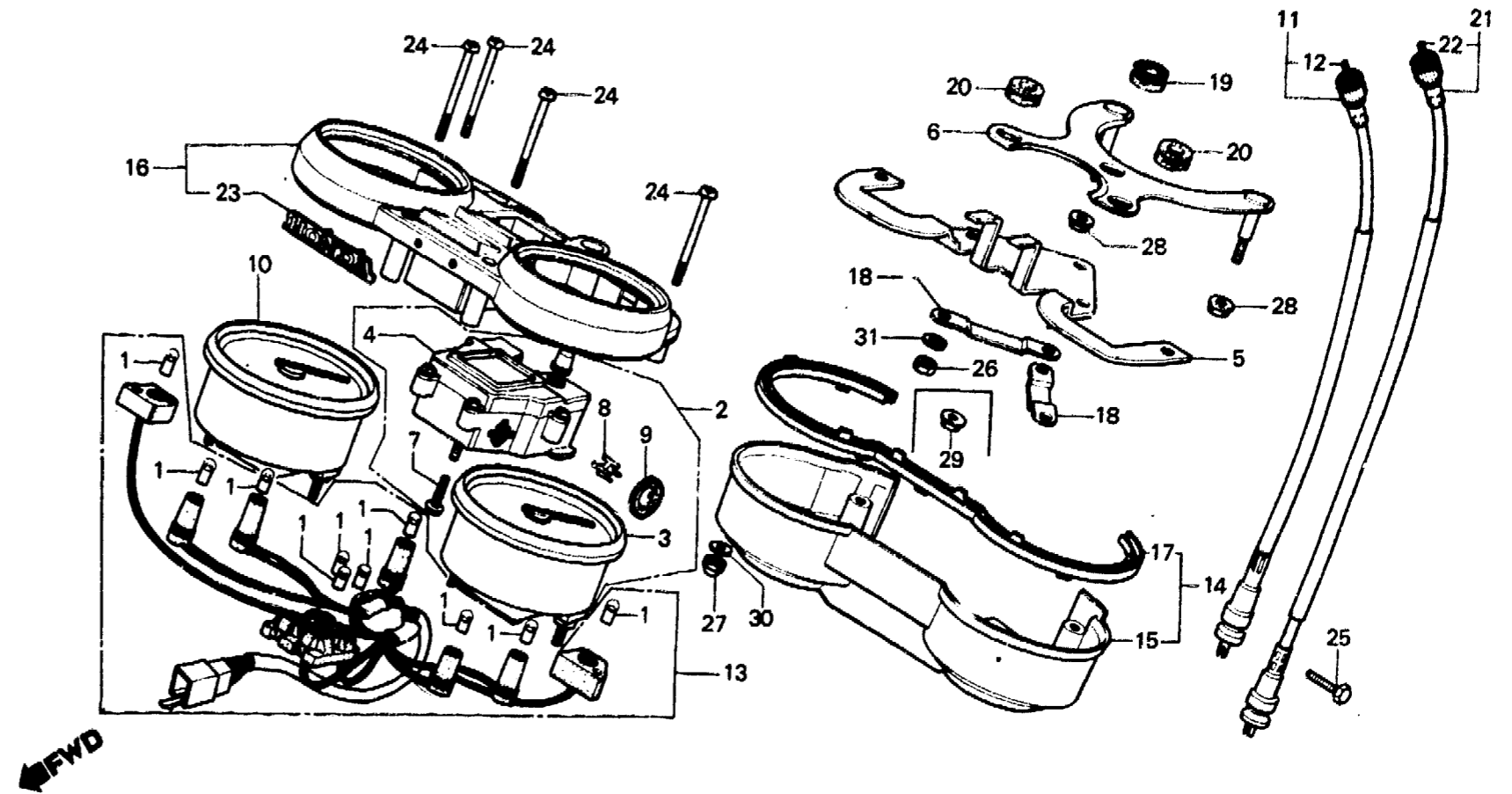
F-2

Meter

Compteurs

Messer

Medidor



B425-23C

Service item	F.R.T.	Ref. No.	Part No.	Description	Reqd. No. CB750								Serial No.	Area code
					Fz	FA	Fr	Fc	F2c	Fd	F2d			
		21	44830-356-010 44830-415-000	CABLE ASSY., SPEEDOMETER CABLE ASSY., SPEEDOMETER	1	1								CM DK,DM,E,ED,F,G SA,U,IT
		22	44831-356-000 44831-323-000	CABLE, SPEEDOMETER INNER CABLE, SPEEDOMETER INNER	1	1		1	1					CM CM DK,DM,E,ED,F,G SA,U,IT CM
		23	87106-425-009	EMBLEM, METER TOP	1	1	1	1	1	1	1	1		
		24	90150-425-000	SCREW, PAN, 4X45	4	4	4	4	4	4	4	4		
		25	92000-05020-0A	BOLT, HEX., 5X20	1	1	1	1	1	1	1	1		
		26	94001-06080	NUT, HEX., 6MM	3	3	3	3	3	3	3	3		
		27	94021-06020	NUT, CAP, 6MM	2	2	2	2	2	2	2	2		
		28	94050-06080	NUT, FLANGE, 6MM	2	2	2	2	2	2	2	2		
		29	94070-06080	NUT-WASHER, 6MM	3	3	3	3	3	3	3	3		
		30	94101-06700	WASHER, PLAIN, 6MM		2	2	2	2	2	2	2		
		31	94111-06000	WASHER, SPRING, 6MM	3	3	3	3	3	3	3	3		

I 7

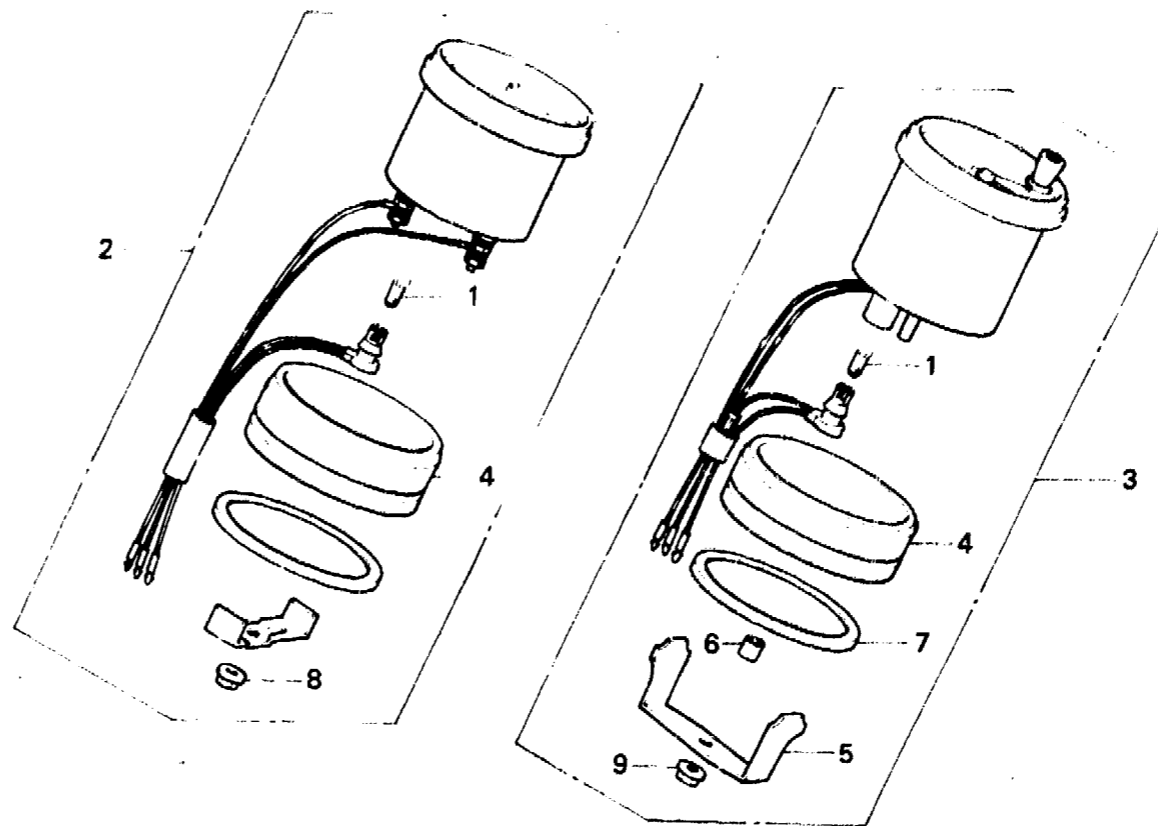
F-2-1

**Voltmeter·Clock
(CB750F2c·F2d)**

**Voltmetre·Montre
(CB750F2c·F2d)**

**Voltmeter·Quarzuhr
(CB750F2c·F2d)**

**Voltimeiro·Relot
(CB750F2c·F2d)**



B438-54

Service item	F.R.T.	Ref. No.	Part No.	Description	Reqd. No. CB750							Serial No.	Area code
					Fz	Fa	Fb	Fc	F2c	Fd	F2d		
BULB, DASH	0.1	1	34902-463-711	BULB, DASH (12V 1.7W STANLEY)					2			2	
VOLTMETER ASSY.	0.3	2	37420-438-840	VOLTMETER ASSY.					1			1	
CLOCK ASSY., QUARTZ		3	37460-438-841	CLOCK ASSY., QUARTZ					1			1	
		4	37462-438-840	RUBBER, MOUNTING					2			2	
		5	37463-438-840	BRACKET, RR.					1			1	
		6	37464-463-710	COLLAR					1			1	
		7	37466-463-710	PLATE, RING					1			1	
		8	94050-04000	NUT, FLANGE, 4MM					1			1	
		9	94050-05000	NUT, FLANGE, 5MM					1			1	

I 8

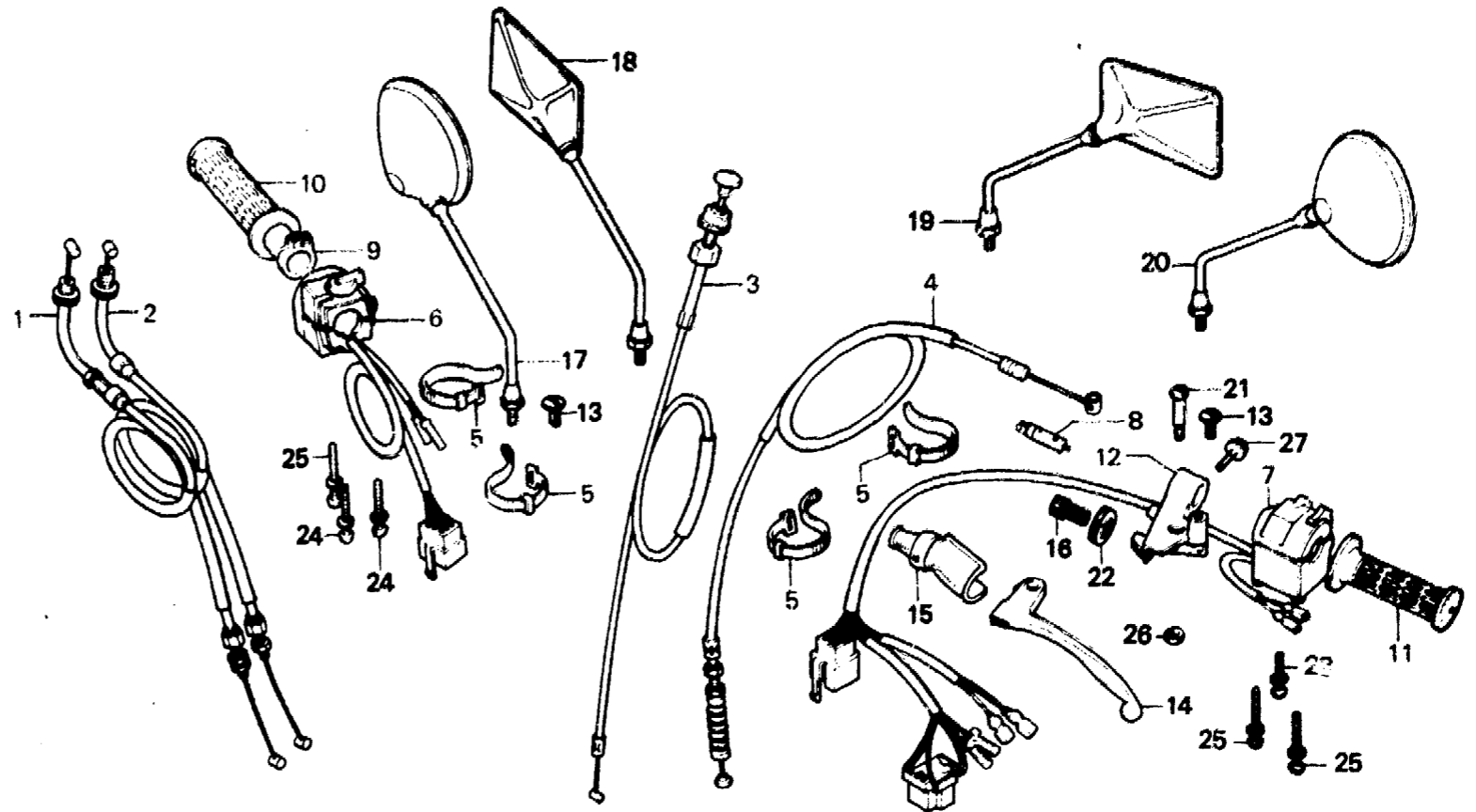
F-3

Handle lever • Switch • Cable

Levier de poignée • Interrupteur • Câble

Lenkstangenhebel • Schalter • Kabel

Palanca de manubrio • Interruptor • Cable



BMC3-2

Service item	F.R.T.	Ref. No.	Part No.	Description	Reqd. No. CB750								Serial No.	Area code
					Fz	FA	Fb	Fc	F2c	Fd	F2d			
CABLE COMP. THROTTLE (ONE OR ALL)	0.5	1	17910-425-010	CABLE COMP. A, THROTTLE	1									
• SWITCH ASSY., STARTER KILL			17910-425-020	CABLE COMP. A, THROTTLE		1								CM
CABLE COMP., CHOKE	0.2		17910-425-612	CABLE COMP. A, THROTTLE		1	1	1	1	1	1			DK,DM,E,ED,F,G
CABLE COMP., CLUTCH	0.3		17910-425-030	CABLE COMP. A, THROTTLE			1	1						SA,U,IT
• PIPE, THROTTLE GRIP			17920-425-010	CABLE COMP. B, THROTTLE	1									CM
• BRACKET, L. HANDLE LEVER			17920-425-020	CABLE COMP. B, THROTTLE		1								CM
• SWITCH ASSY., WINKER	0.4		17920-425-611	CABLE COMP. B, THROTTLE		1	1	1	1	1	1			DK,DM,E,ED,F,G
• SWITCH COMP., FR. LEVER	0.1		17920-425-030	CABLE COMP. B, THROTTLE			1	1						SA,U,IT
• GRIP, R. HANDLE			17950-425-000	CABLE COMP., CHOKE	1	1	1	1	1	1	1			CM
• GRIP, L. HANDLE			22870-425-010	CABLE COMP., CLUTCH	1	1	1	1						CM
• LEVER, L. STEERING HANDLE			22870-425-611	CABLE COMP., CLUTCH		1	1	1	1	1	1			DK,DM,E,ED,F,G
			32161-404-000	BAND B1, WIRE	4	4	4	4						SA,U,IT
						2	2	2	2	2	2			CM
														DK,DM,E,ED,F,G
														SA,U,IT
		6	35130-425-672	SWITCH ASSY., STARTER KILL	1	1	1							CM

I 9

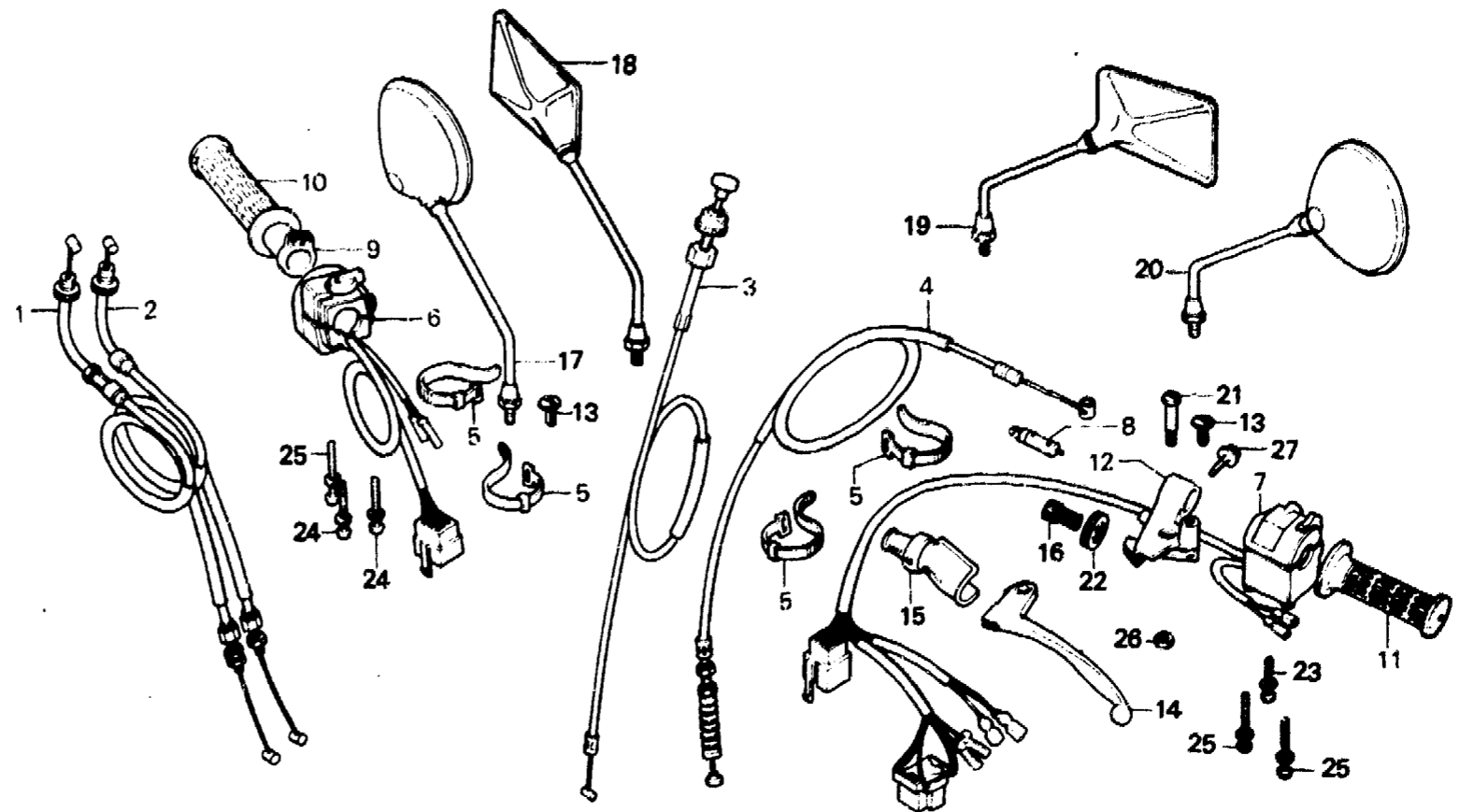
F-3

Handle lever • Switch • Cable

Levier de poignée • Interrupteur • Câble

Lenkstangenhebel • Schalter • Kabel

Palanca de manubrio • Interruptor • Cable



BMC3-2

Service item	F.R.T.	Ref. No.	Part No.	Description	Reqd. No. CB750								Serial No.	Area code
					Fz	FA	Fb	Fc	F2c	Fd	F2d			
			35150-425-602	SWITCH ASSY., STARTER KILL		1	1	1	1				DK,DM,E,ED,F,G SA,U CM	
			35130-461-770	SWITCH ASSY., STARTER KILL				1						
			35150-MG5-610	SWITCH ASSY., STARTER KILL						1	1			
		7	35200-425-672	SWITCH ASSY., WINKER	1									
			35200-438-601	SWITCH ASSY., WINKER		1	1	1	1				DK,DM,E,ED,F,G SA,U CM	
			35200-445-671	SWITCH ASSY., WINKER		1	1	1						
			35200-MG5-610	SWITCH ASSY., WINKER						1	1			
		8	35330-413-003	SWITCH COMP., FR. LEVER	1	1	1	1	1	1	1			
		9	53141-300-010	PIPE, THROTTLE GRIP	1	1	1	1	1	1	1			
		10	53165-390-780	GRIP, R. HANDLE	1	1	1	1	1	1	1			
		11	53166-390-780	GRIP, L. HANDLE	1	1	1	1	1	1	1			

I 10

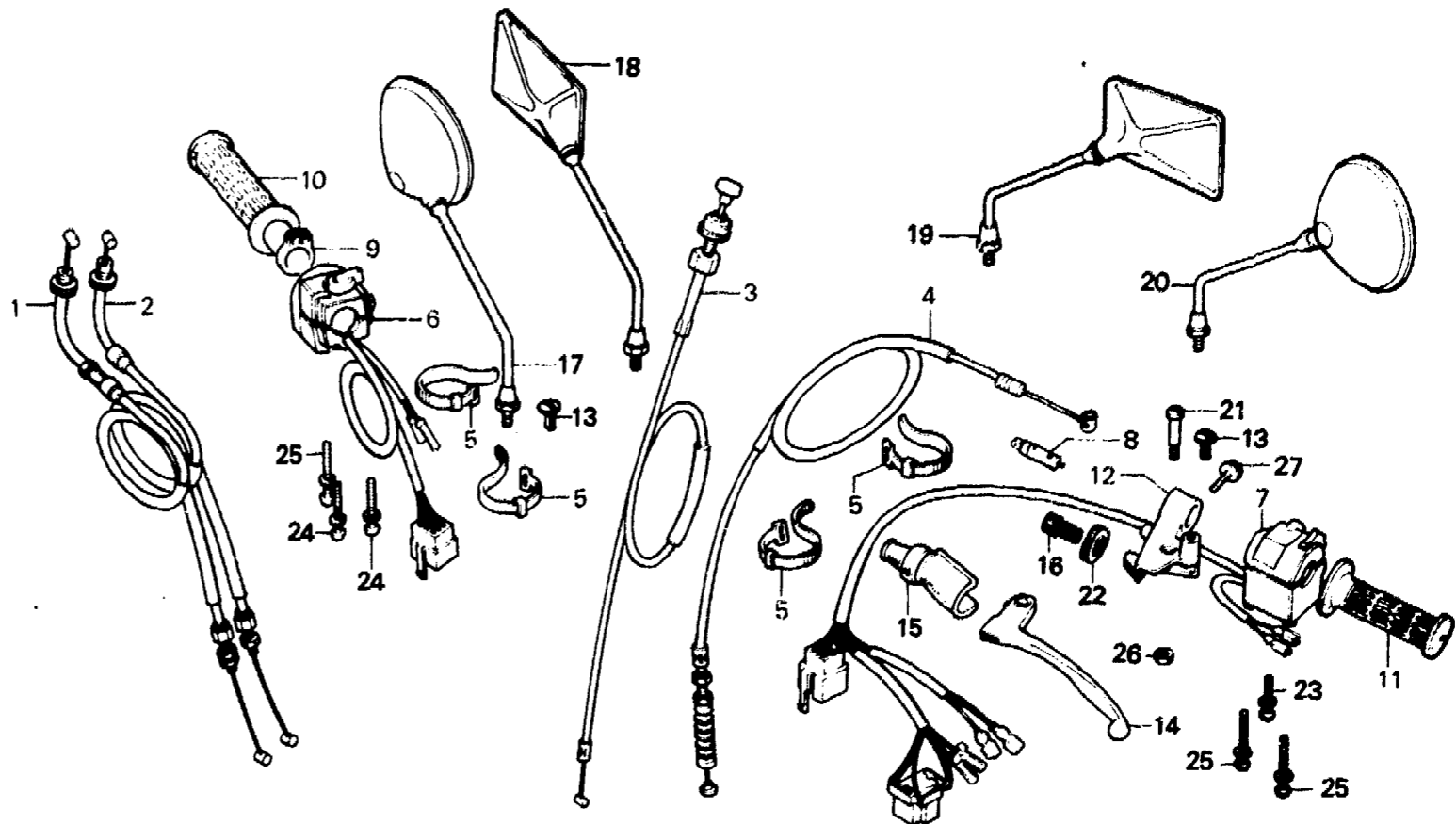
F-3

Handle lever • Switch • Cable

Levier de poignée • Interrupteur • Câble

Lenkstangenhebel • Schalter • Kabel

Palanca de manubrio • Interruptor • Cable



BMC3-2

Service item	F.R.T.	Ref. No.	Part No.	Description	Reqd. No. CB750							Serial No.	Area code
					Fz	FA	Fb	Fc	F2c	Fd	F2D		
		12	53172-425-003	BRACKET, L. HANDLE LEVER	1	1	1	1	1	1	1		
		13	53174-463-770	PLUG, HANDLE LEVER BRACKET						2		2	
		14	53178-425-003	LEVER, L. STEERING HANDLE	1	1	1	1	1	1	1		
		15	53180-425-000	BOOT, HANDLE LEVER	1	1	1	1	1	1	1		
		16	53192-425-000	BOLT, CABLE ADJUSTING	1	1	1	1	1	1	1		
		17	88110-MC5-004	MIRROR, R. BACK							1		SA
			88110-MC5-602	MIRROR, R. BACK							1		E,ED,IT
			88110-MC5-711	MIRROR, R. BACK							1		U
		18	88110-425-013	MIRROR, BACK	1	1	1	1					CM,DK,DM,ED,G
			88110-425-652	MIRROR, BACK		1	1	1					SA
			88110-425-625	MIRROR, R. BACK		1	1	1					U
		19	88120-MC5-004	MIRROR, L. BACK							1		E,F
			88120-MC5-602	MIRROR, L. BACK							1		SA
			88120-MC5-711	MIRROR, L. BACK							1		E,ED,IT
		20	88120-425-625	MIRROR, L. BACK		1	1	1					U
													E,F

I 11

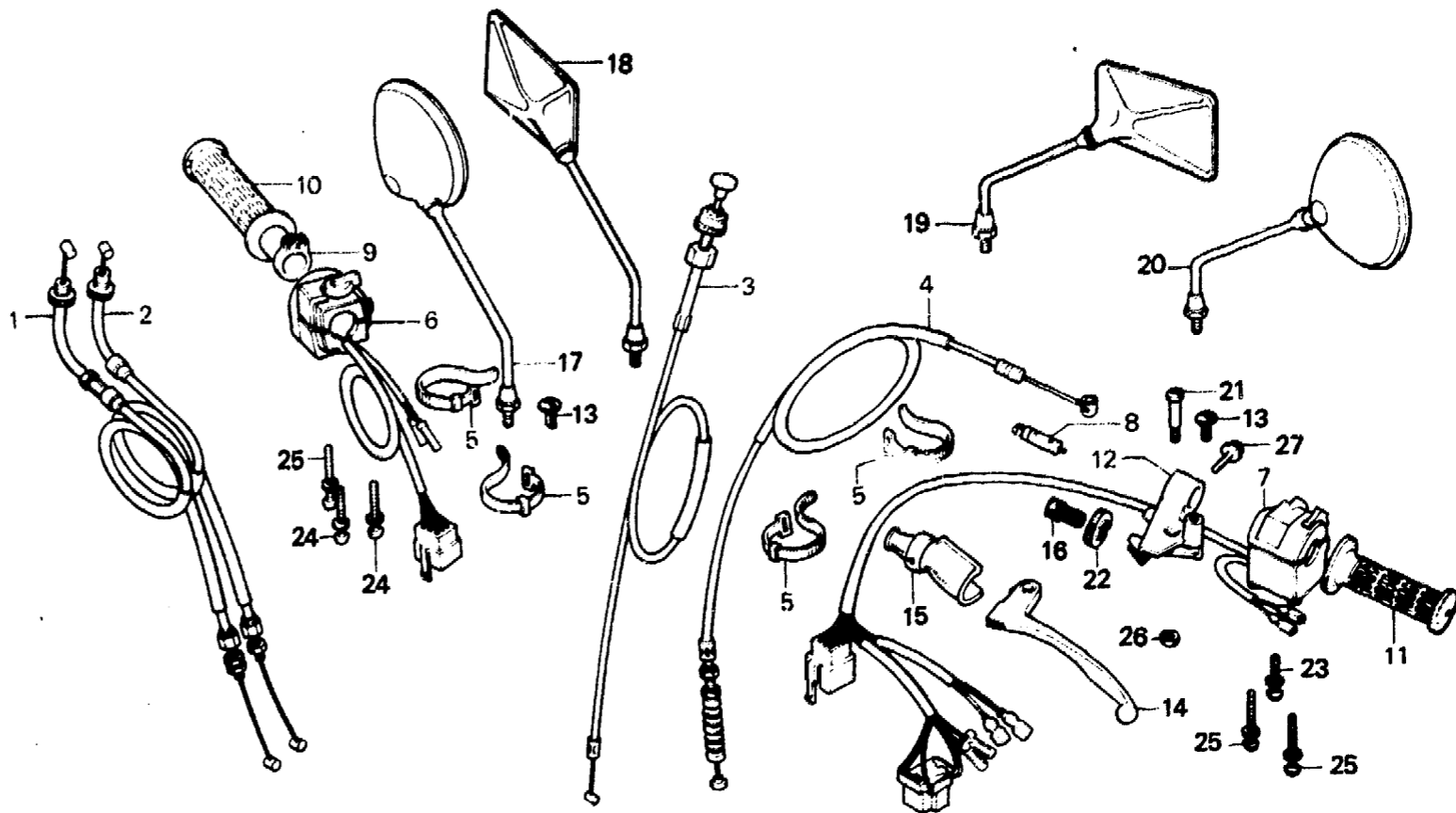
F-3

Handle lever • Switch • Cable

Levier de poignée • Interrupteur • Câble

Lenkstangenhebel • Schalter • Kabel

Palanca de manubrio • Interruptor • Cable



BMC3-2

Service item	F.R.T.	Ref. No.	Part No.	Description	Reqd. No. CB750							Serial No.	Area code
					Fz	FA	Fa	Fc	F2c	Fd	F2D		
			88110-425-013	MIRROR, BACK	1	1	1	1					CM,DK,DM,ED,G
			88110-425-652	MIRROR, BACK		1	1	1					SA U
		21	90113-422-000	BOLT, L. STEERING HANDLE LEVER PIVOT	1	1	1	1	1	1	1		
		22	90321-422-000	NUT, FIXING	1	1	1	1	1	1	1		
		23	93891-05030-07	SCREW-WASHER, 5X30	1	1	1	1	1	1	1		
		24	93891-05035-07	SCREW-WASHER, 5X35	2	2							
			93891-05040-07	SCREW-WASHER, 5X40			2	2	2	2	2		CM DK,DM,E,ED,F,G SA,U,IT CM
		25	93891-05030-07	SCREW-WASHER, 5X30			2	2					
			93891-05050-07	SCREW-WASHER, 5X50	3	3							
			93891-05045-07	SCREW-WASHER, 5X45			3	3	3	3	3		
		26	94002-06000	NUT, HEX., 6MM	1	1	1	1	1	1	1		
		27	95700-06025-07	BOLT, FLANGE, 6X25	1	1	1	1	1	1	1		

I 12

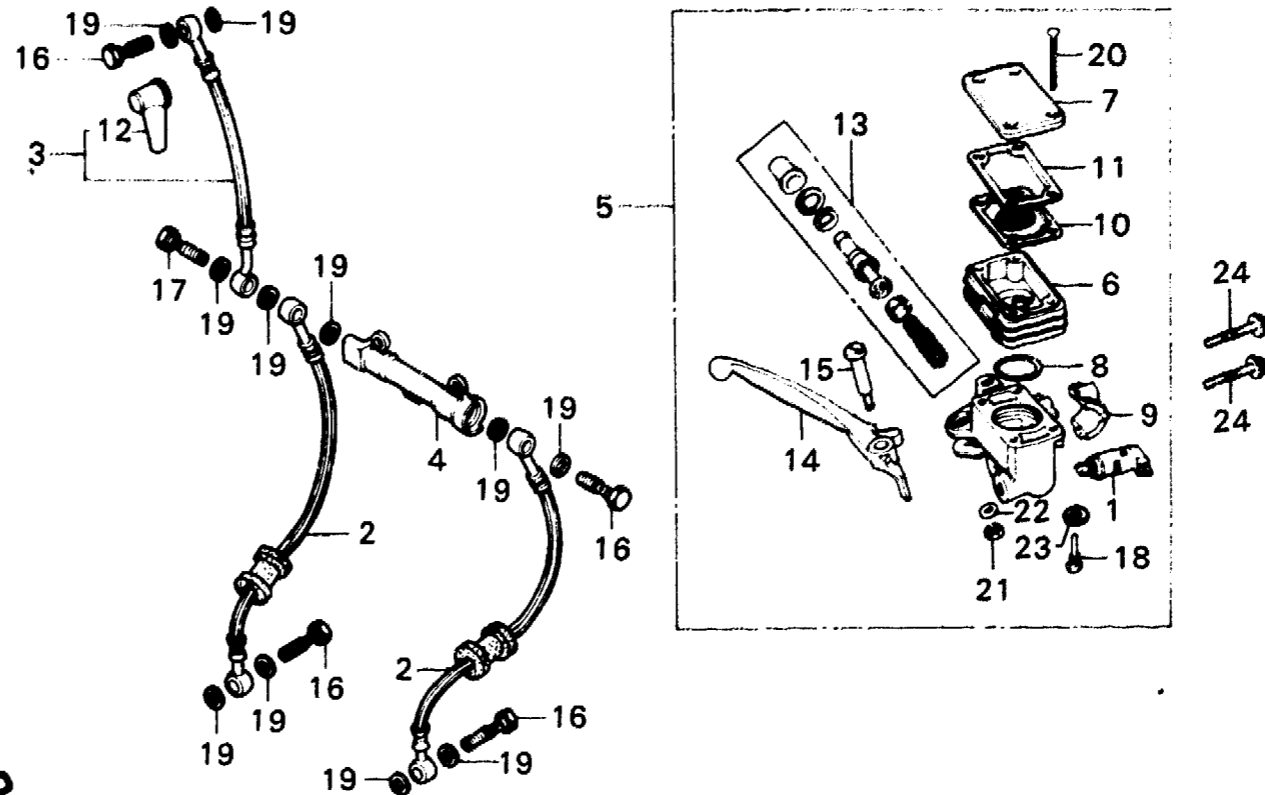
F-4

**Front brake master cylinder
(CB750Fz·FA)**

**Maitre cylindre de frein avant
(CB750Fz·FA)**

**Vorderradbremse-Hauptzylinder
(CB750Fz·FA)**

**Cilindro maestro de freno delantero
(CB750Fz·FA)**



B438-14

Service item	F.R.T.	Ref. No.	Part No.	Description	Reqd. No.						Serial No.	Area code		
					Fz	FA	Fb	Fc	F2c	Fd			F2d	
SWITCH ASSY., FR. STOP	0.1	1	35340-422-003	SWITCH ASSY., FR. STOP	1									
DIAPHRAGM			35340-422-013	SWITCH ASSY., FR. STOP		1					2104283	2104282	CM	
LEVER, R. STEERING HANDLE			35340-422-013	SWITCH ASSY., FR. STOP		1							CM	
HOSE FR. BRAKE	0.3					1							DK,DM,E,ED,F,G	
(WHEN SERVICING COMP., UNIT, F.R.T. IS 0.4.)													SA,U	
JOINT, TWO WAY		2	45125-445-003	HOSE A, FR. BRAKE	2									
CYLINDER ASSY., FR. BRAKE MASTER	0.2	3	45125-445-771	HOSE A, FR. BRAKE		2								
			45126-445-003	HOSE B, FR. BRAKE	1									
CUP, OIL	0.2		45126-425-613	HOSE B, FR. BRAKE (NICHIRIN)		1							DK,DM,E,ED,F,G	
CYLINDER SET, FR. MASTER	0.4	4	45126-425-831	HOSE B, FR. BRAKE		1							SA,U	
			45127-422-003	JOINT, TWO WAY	1	1								CM
CYLINDER SET, FR. MASTER	0.4	5	45500-445-672	CYLINDER ASSY., FR. MASTER	1									
			45500-445-771	CYLINDER ASSY., FR. MASTER		1						2104202		CM
			45500-445-772	CYLINDER ASSY., FR. MASTER		1								
			45500-438-615	CYLINDER ASSY., FR. BRAKE		1								
			45500-438-655	CYLINDER ASSY., FR. BRAKE MASTER		1							DK,DM,SA,U	

I 13

F-4

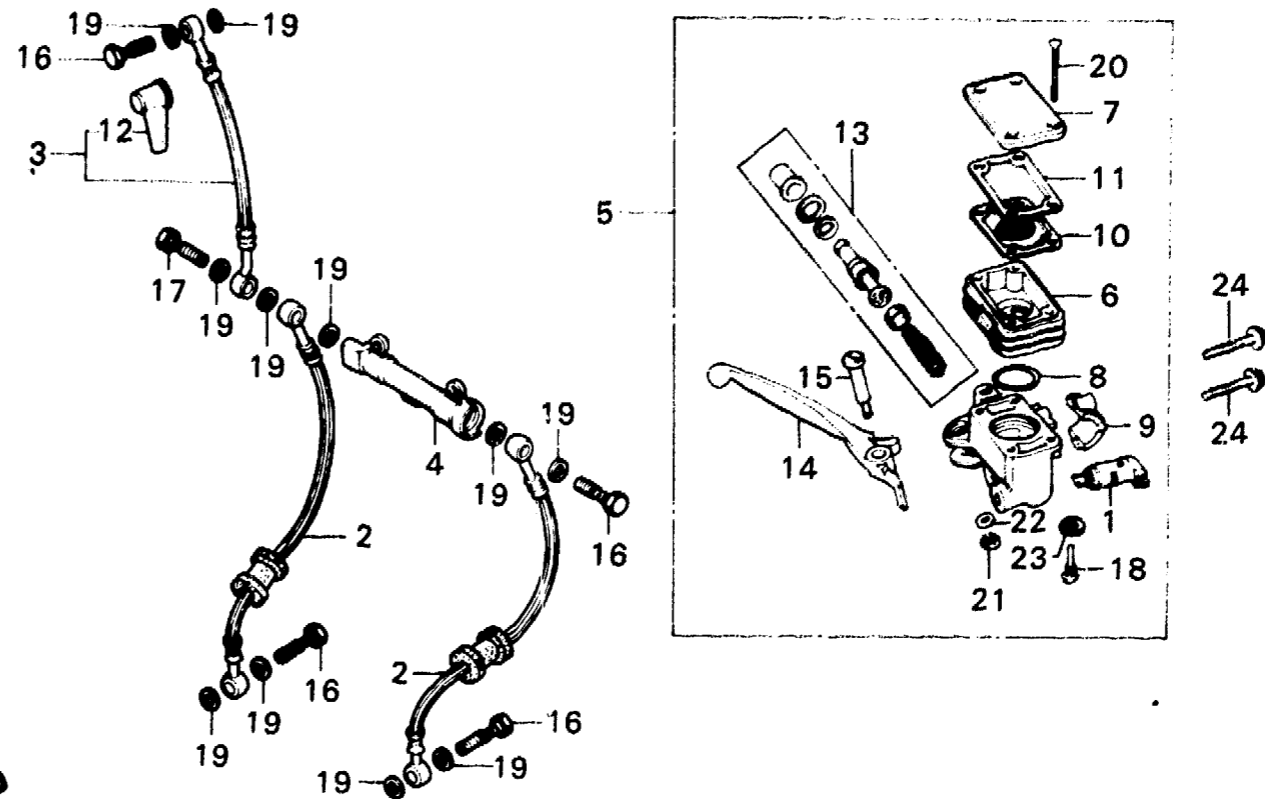
**Front brake master cylinder
(CB750Fz·FA)**

**Maitre cylindre de frein avant
(CB750Fz·FA)**

**Vorderradbremse-Hauptzylinder
(CB750Fz·FA)**

**Cilindro maestro de freno delantero
(CB750Fz·FA)**

← FWD



B438-14

Service item	F.R.T.	Ref. No.	Part No.	Description	Reqd. No.							Serial No.	Area code
					Fz	FA	Fb	Fc	F2c	Fd	F2d		
			45500-445-772	CYLINDER ASSY., FR. BRAKE MASTER		1						2104203	CM
		6	45511-422-016	CUP, OIL	1								
			45511-438-006	CUP, OIL			1						
		7	45513-422-671	CAP, OIL CUP	1								
			45519-422-671	CAP, OIL CUP									
			45513-422-652	CAP, OIL CUP			1						DK,DM,SA,U
			45513-422-672	CAP, OIL CUP			1						CM
			45513-443-612	CAP, OIL CUP			1						E,ED,F,G
		8	45516-422-006	O-RING, 39.7X3.5	1	1							
		9	45517-422-006	HOLDER, MASTER CYLINDER	1	1							
		10	45520-422-006	DIAPHRAGM	1								
			45520-422-016	DIAPHRAGM			1						
		11	45521-422-006	PLATE, DIAPHRAGM	1	1							
		12	45522-422-000	BOOT, MASTER CYLINDER	1	1							
		13	45530-422-305	CYLINDER SET, FR. MASTER	1	1							
		14	53175-438-000	LEVER, R. STEERING HANDLE	1								

1982.09.20

E

113

I 14

F-4

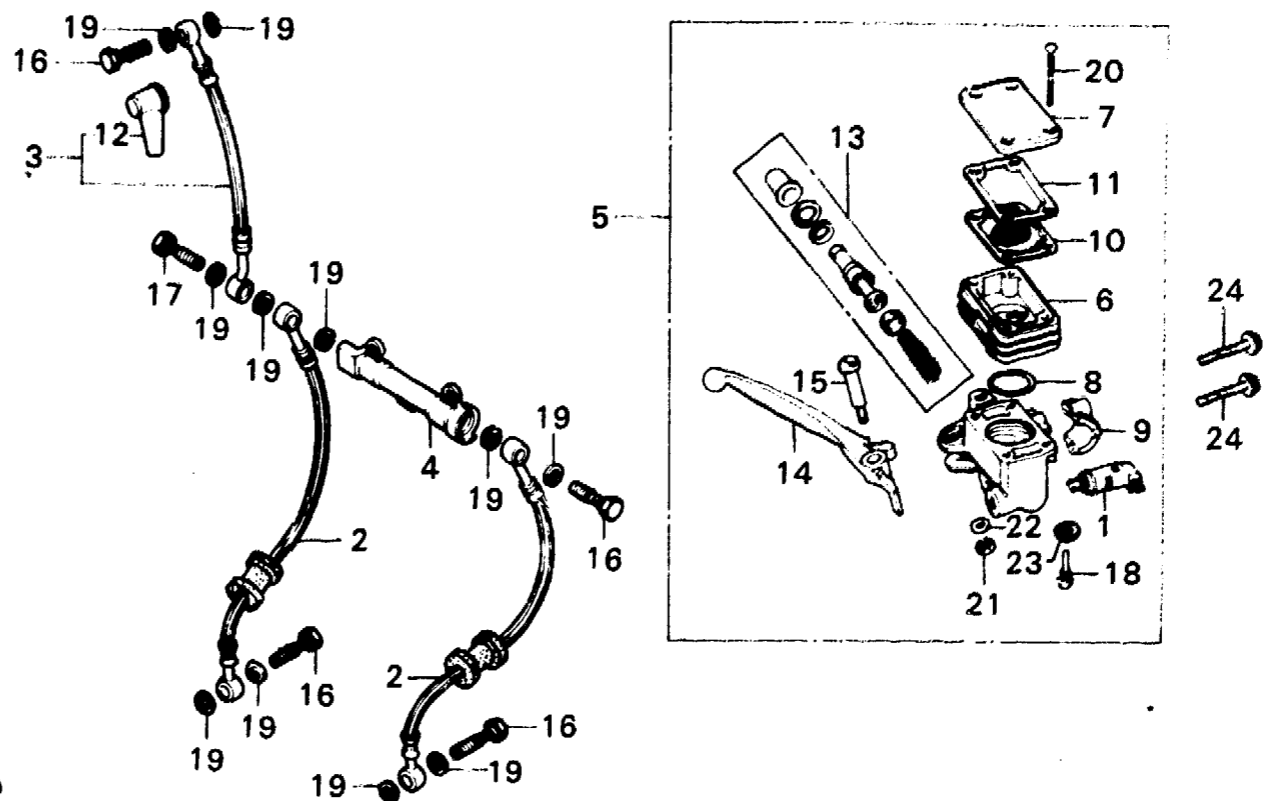
**Front brake master cylinder
(CB750Fz·FA)**

**Maitre cylindre de frein avant
(CB750Fz·FA)**

**Vorderradbremse-Hauptzylinder
(CB750Fz·FA)**

**Cilindro maestro de freno delantero
(CB750Fz·FA)**

←FWD



G438-14

Service item	F.R.T.	Ref. No.	Part No.	Description	Reqd. No. CB750						Serial No.	Area code
					Fz	FA	Fa	Fc	F2c	Fd		
		15	53175-438-010	LEVER, R. STEERING HANDLE		1						
		15	90114-422-000	BOLT, R. STEERING HANDLE LEVER PIVOT	1	1						
		16	90145-300-000	BOLT, OIL	4	4						
		17	90145-422-010	BOLT, OIL	1	1						
		18	90183-422-000	SCREW, PAN, 4X13.5	1	1						
		19	90545-300-000	WASHER, OIL BOLT	11	11						
		20	93600-04037-1G	SCREW, FLAT, 4X37	4							
			90137-422-006	SCREW, CAP, 4X35		4						
		21	94002-06000	NUT, HEX., 6MM	1	1						
		22	94101-06000	WASHER, PLAIN, 6MM	1	1						
		23	94111-00000	WASHER, SPRING, 4MM	1	1						
		24	95700-06025-97	BOLT, FLANGE, 6X25	2	2						

I 15

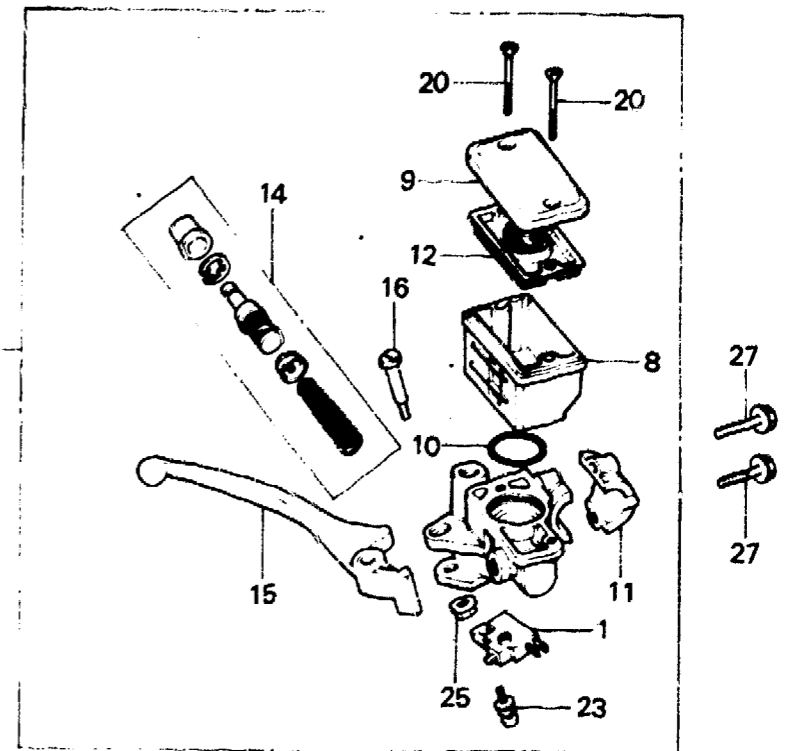
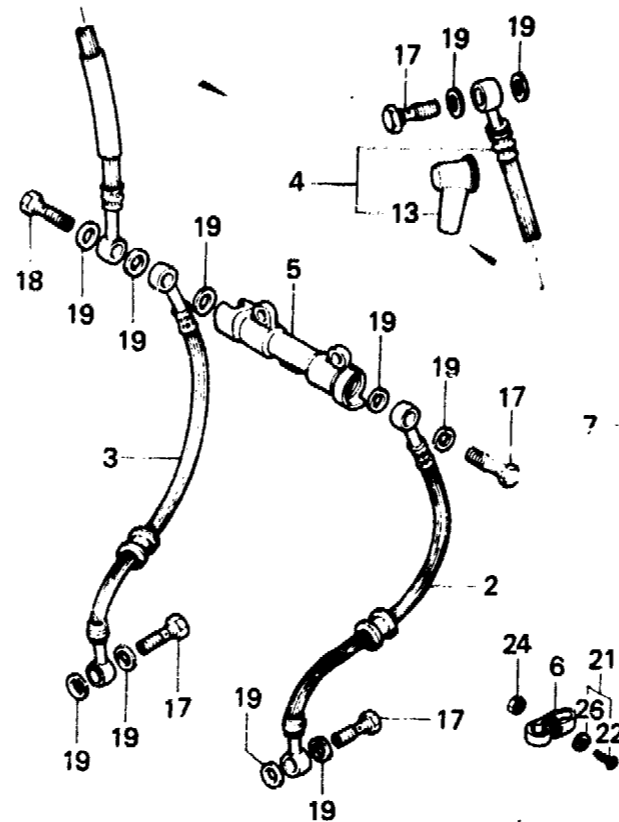
F-4-1

**Front brake master cylinder
(CB750Fb·Fc·F2c·Fd·F2D)**

**Maitre cylindre de frein avant
(CB750Fb·Fc·F2c·Fd·F2D)**

**Vorderradbremse-Hauptzylinder
(CB750Fb·Fc·F2c·Fd·F2D)**

**Cilindro maestro de freno delantero
(CB750Fb·Fc·F2c·Fd·F2D)**



B445-28B

Service item	F.R.T.	Ref. No.	Part No.	Description	Reqd. No. CB750						Serial No.	Area code
					Fz	FA	Fb	Fc	F2c	Fd		
SWITCH ASSY., FR. STOP	0.1	1	35340-MA5-671	SWITCH ASSY., FR. STOP	1	1	1	1	1			
DIAPHRAGM		2	45124-445-631	HOSE, L. FR. BRAKE	1						CM	
LEVER COMP., R. HANDLE			45124-445-861	HOSE A, FR. BRAKE	1						DK,DM,E,ED,F,G SA,U	
HOSE, FR. BRAKE (WHEN SERVICING COMP., UNIT, F.R.T. IS 0.4.)	0.3	3	45124-438-671	HOSE, L. FR. BRAKE			1	1	1	1	DK,DM,E,ED,F,G SA,U	
JOINT, TWO WAY			45124-445-861	HOSE A, FR. BRAKE	1						CM	
CYLINDER ASSY., FR. MASTER			45125-445-631	HOSE, R. FR. BRAKE	1						CM	
CUP, OIL	0.2		45125-438-671	HOSE, R. FR. BRAKE			1	1	1	1		
CYLINDER SET, MASTER	0.4	4	45126-425-613	HOSE B, FR. BRAKE (NICHIRIN)	1	1	1	1	1	1	DK,DM,E,ED,F,G SA,U,IT	
			45126-425-831	HOSE B, FR. BRAKE	1	1					CM	
		5	45127-422-003	JOINT, TWO WAY	1	1	1	1	1			
		6	45128-463-000	CLAMP, BRAKE HOSE	1	1	1	1	1		DK,DM,E,ED,F,G SA,U	
							1				CM	
		7	45500-445-631	CYLINDER ASSY., FR. MASTER	1	1	1	1	1			
		8	45511-MA5-671	CUP, OIL	1	1	1	1	1			
		9	45513-MA5-671	CAP, OIL CUP	1	1	1	1	1			

I 16

F-4-1

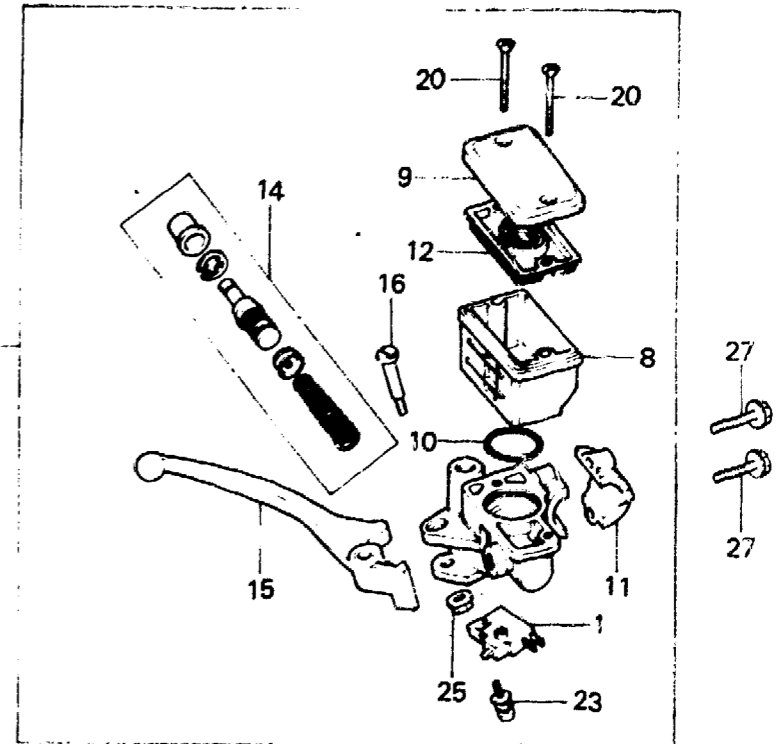
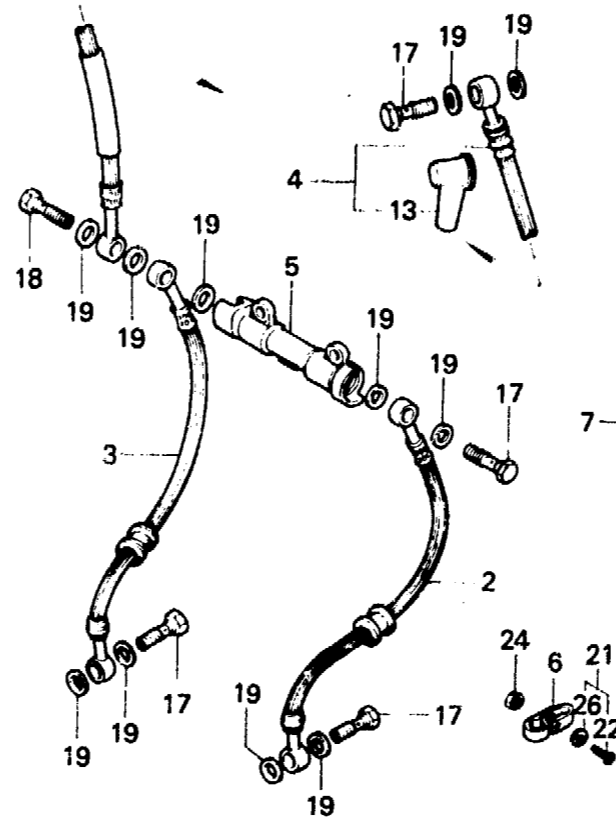
**Front brake master cylinder
(CB750F_B·F_C·F_{2C}·F_D·F_{2D})**

**Maitre cylindre de frein avant
(CB750F_B·F_C·F_{2C}·F_D·F_{2D})**

**Vorderradbremse-Hauptzylinder
(CB750F_B·F_C·F_{2C}·F_D·F_{2D})**

**Cilindro maestro de freno delantero
(CB750F_B·F_C·F_{2C}·F_D·F_{2D})**

←FWD



B445-28B

Service item	F.R.T.	Ref. No.	Part No.	Description	Reqd. No. CB750						Serial No.	Area code	
					Fz	FA	F _B	F _C	F _{2C}	F _D			F _{2D}
		10	45516-166-006	O-RING			1	1	1	1	1		
		11	45517-MA5-671	HOLDER, MASTER CYLINDER			1	1	1	1	1		
		12	45520-MA5-671	DIAPHRAGM			1	1	1	1	1		
		13	45522-422-000	BOOT, MASTER CYLINDER			1	1	1	1	1		
		14	45530-MA5-671	CYLINDER SET, MASTER			1	1	1	1	1		
		15	53175-MA5-671	LEVER COMP., R. HANDLE			1	1	1	1	1		
		16	90114-MA5-671	BOLT, R. STEERING HANDLE LEVER PIVOT			1	1	1	1	1		
		17	90145-300-000	BOLT, OIL			4	4	4	4	4		
		18	90145-422-010	BOLT, OIL			1	1	1	1	1		
		19	90545-300-000	WASHER, OIL BOLT			11	11	11	11	11		
		20	93600-04045-1G	SCREW, FLAT, 4X45			2	2	2	2	2		
		21	93891-04016-00	SCREW-WASHER, 4X16			1						
		22	93500-04020-0A	SCREW, PAN, 4X20				1	1	1	1		
		23	93893-04012-18	SCREW-WASHER, 4X12			1	1	1	1	1		

J 1

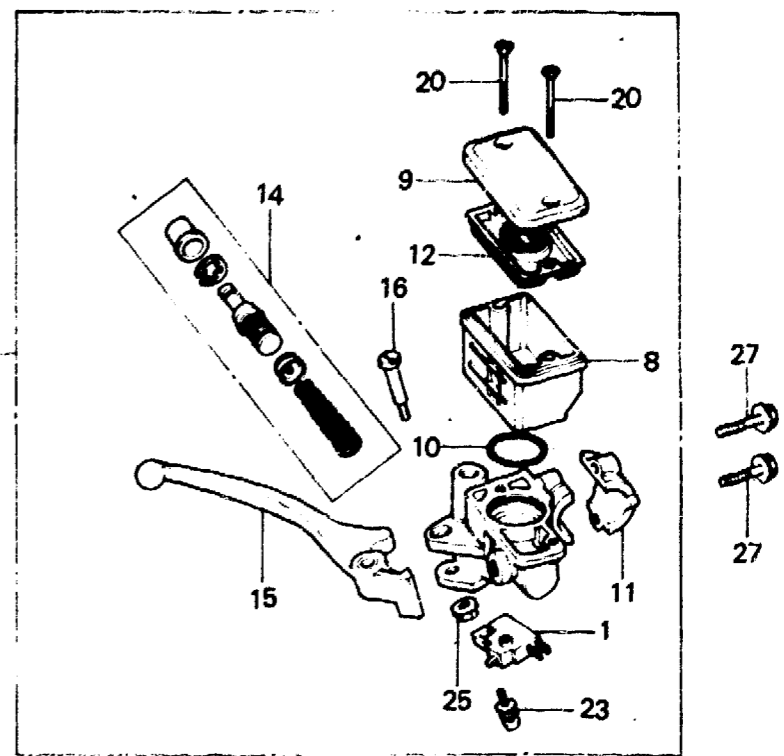
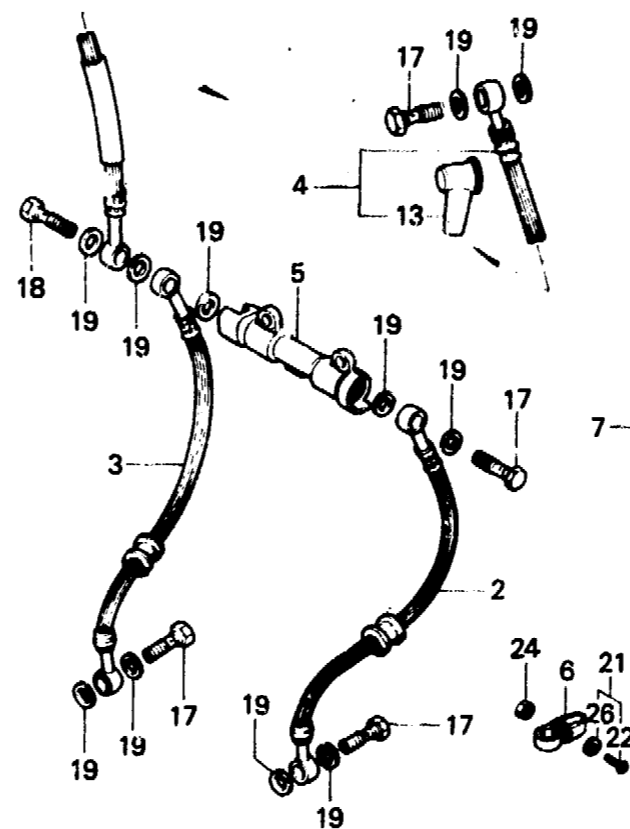
F-4-1

**Front brake master cylinder
(CB750FB·FC·F2C·FD·F2D)**

**Maitre cylindre de frein avant
(CB750FB·FC·F2C·FD·F2D)**

**Vorderradbremse-Hauptzylinder
(CB750FB·FC·F2C·FD·F2D)**

**Cilindro maestro de freno delantero
(CB750FB·FC·F2C·FD·F2D)**



B445-28B

Service item	F.R.T.	Ref. No.	Part No.	Description	Reqd. No. CB750						Serial No.	Area code
					Fz	FA	Fb	Fc	F2c	Fd		
		24	94002-04000-0S	NUT, HEX., 4MM			1	1	1	1	1	
		25	94050-06000	NUT, FLANGE, 6MM			1	1	1	1	1	
		26	94101-04000	WASHER, PLAIN, 4MM				1	1	1	1	
		27	95700-06025-07	BOLT, FLANGE, 6X25			2	2	2	2	2	

1982.09.20

E

J1

J 2

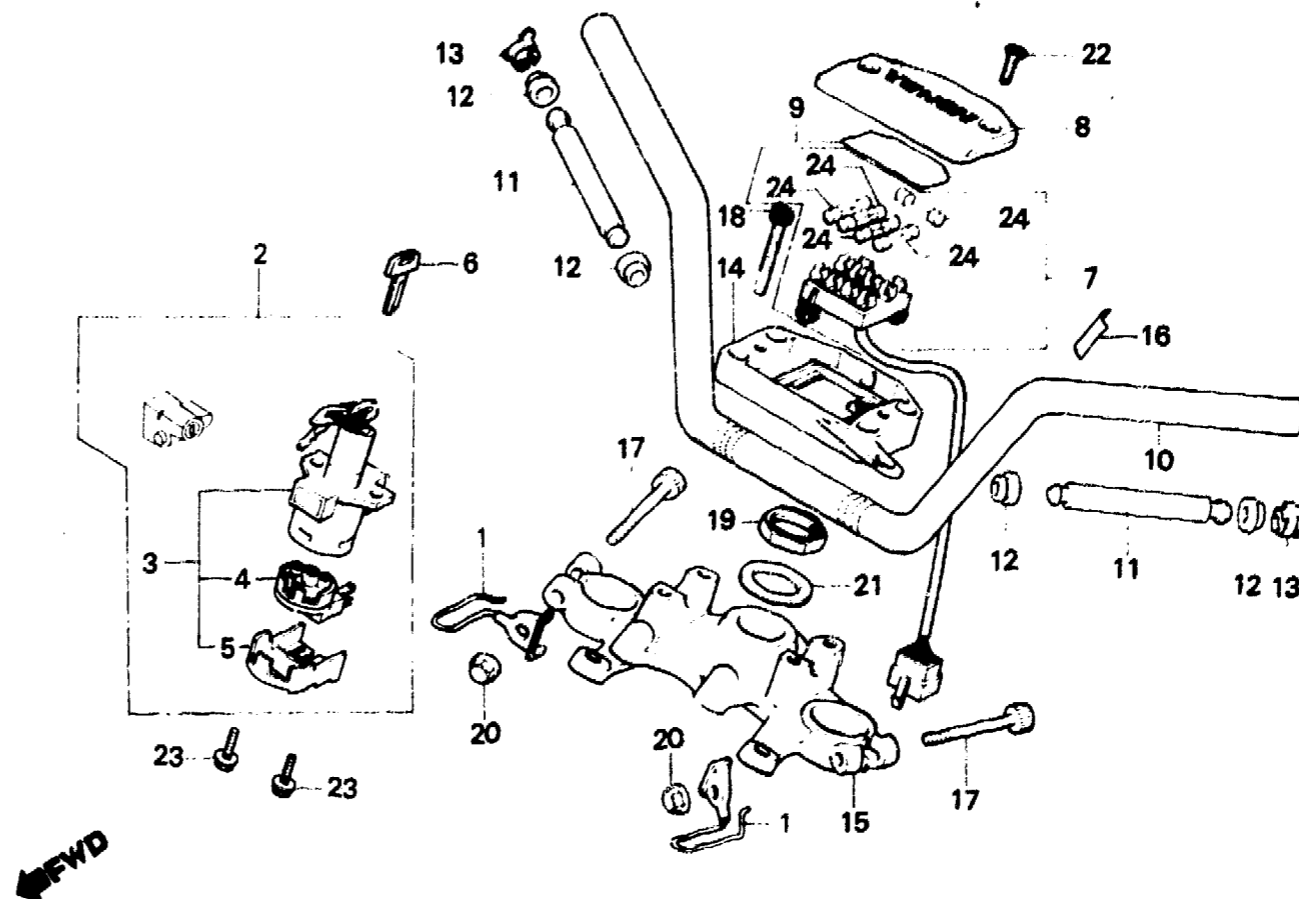
F-5

Handle pipe • Top bridge

Guidon • Haut de fourche

Lenkrohr • Obere Brücke

Tube do manubrio •
Puente superior



BMC3-3

Service item	F.R.T.	Ref. No.	Part No.	Description	Reqd. No. CB750							Serial No.	Area code
					Fz	FA	Fb	Fc	F2c	Fd	F2d		
KEY SET	0.5	1	17908-425-000	GUIDE, CABLE	2	2	2	2					CM
SWITCH ASSY., COMBINATION	0.4					1	1	1	1	1	1		DK,DM,E,ED,F,G
BASE COMP., CONTACT												1	SA,U,IT
PLATE ASSY., FUSE	0.3	2	35010-MG5-610	KEY SET								1	ED
HOLDER, HANDLE UPPER			35010-MG5-670	KEY SET								1	E,SA,U,IT
PIPE, STEERING HANDLE	0.6		35010-438-680	KEY SET	1								CM
BRIDGE, FORK TOP			35010-425-870	KEY SET		1	1						E,ED,F,G
WEIGHT, HANDLE	0.1		35010-438-610	KEY SET		1							DK,DM,SA,U
COVER, FUSE PLATE			35010-438-680	KEY SET		1							DK,DM,E,F,SA,U
			35010-445-850	KEY SET			1	1	1				ED,G
			35010-445-860	KEY SET			1	1	1				CM
			35010-422-020	KEY SET				1					E,SA,U,IT
		3	35100-MA6-007	SWITCH ASSY., COMBINATION							1	1	ED
			35100-MA6-631	SWITCH ASSY., COMBINATION							1	1	
			35100-438-007	SWITCH ASSY., COMBINATION & LOCK	1								
			35100-422-017	SWITCH ASSY., COMBINATION & LOCK		1	1	1	1				CM,DK,DM,SA,U
							1	1	1				E,F

1982.09.20

E

J2



F-5

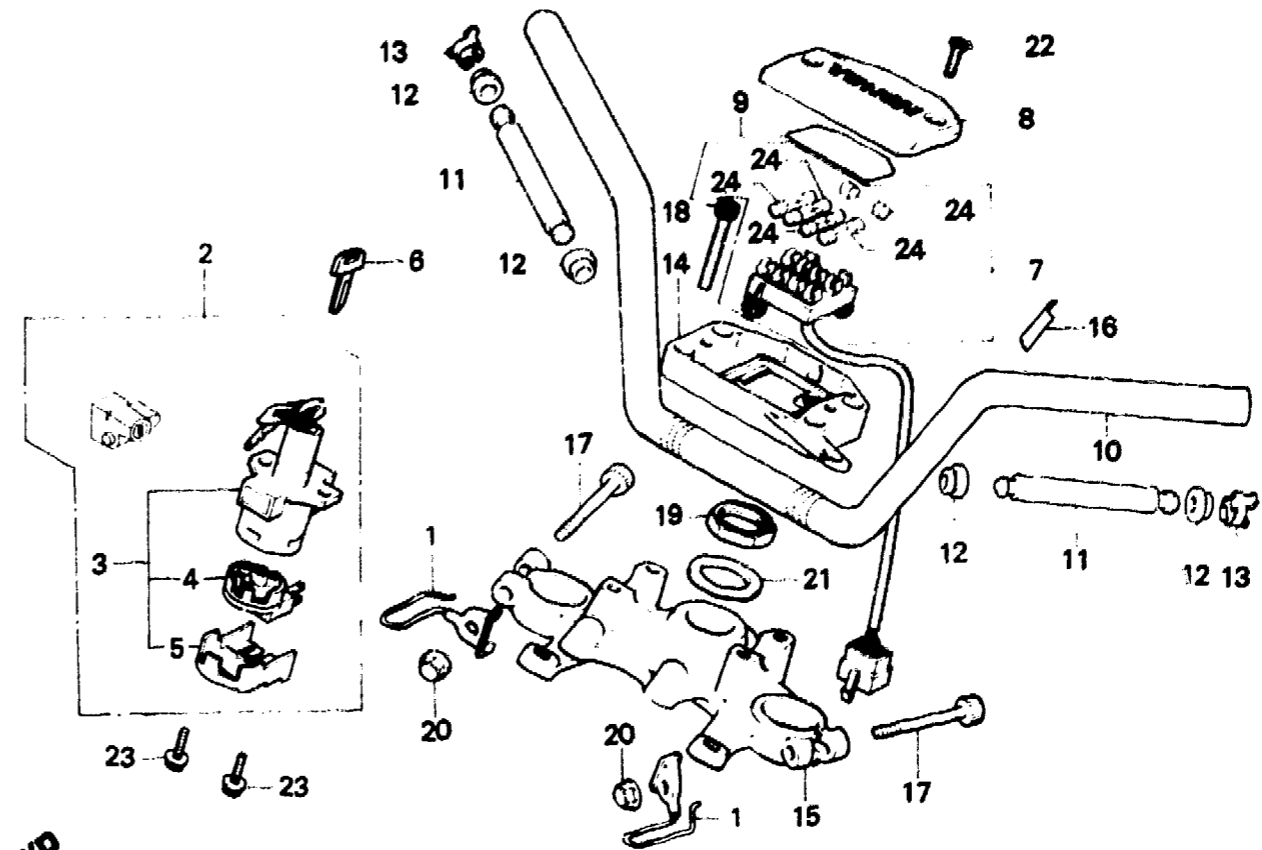
Handlé pipe • Top bridge

Guidon • Haut de fourche

Lenkrohr • Obere Brücke

Tube do manubrio •

Puente superior



BMC3-3

Service item	F.R.T.	Ref. No.	Part No.	Description	Reqd. No. CB750							Serial No.	Area code
					Fz	FA	Fa	Fc	F2c	Fd	F2d		
			35100-438-601	SWITCH ASSY., COMBINATION		1							E,F ED,G
		4	35101-422-007	BASE COMP., CONTACT	1	1	1	1	1	1	1		
		5	35102-431-007	COVER, SWITCH	1	1	1	1	1	1	1		
		6	35121-MA6-811	KEY, BLANK (NO.1)							(1)	(1)	
			35122-MA6-811	KEY, BLANK (NO.2)							(1)	(1)	
		7	38200-425-005	PLATE ASSY., FUSE	1	1							
			38200-MA4-671	PLATE ASSY., FUSE			1	1	1	1	1		
		8	38210-425-000	COVER, FUSE PLATE	1	1	1	1	1	1	1		
		9	38215-425-000	LABEL, FUSE	1	1							CM,DK,DM,E,ED,G SA,U
			38215-425-620	LABEL, FUSE (FRENCH)	1	1							CM,DK,DM,E,ED,F G,SA
			38215-MA4-670	LABEL, FUSE			1	1	1	1	1		CM,DK,DM,E,ED,G SA,U,IT
			38215-MA4-720	LABEL, FUSE (FRENCH)			1	1	1				CM,F
		10	53100-445-000	PIPE, STEERING HANDLE	1								DK,DM,E,ED,F,G SA,U,IT
			53100-425-610	PIPE, STEERING HANDLE		1	1	1	1	1	1		CM
			53100-425-770	PIPE, STEERING HANDLE		1							

1982.09.20

E

J3

J 4

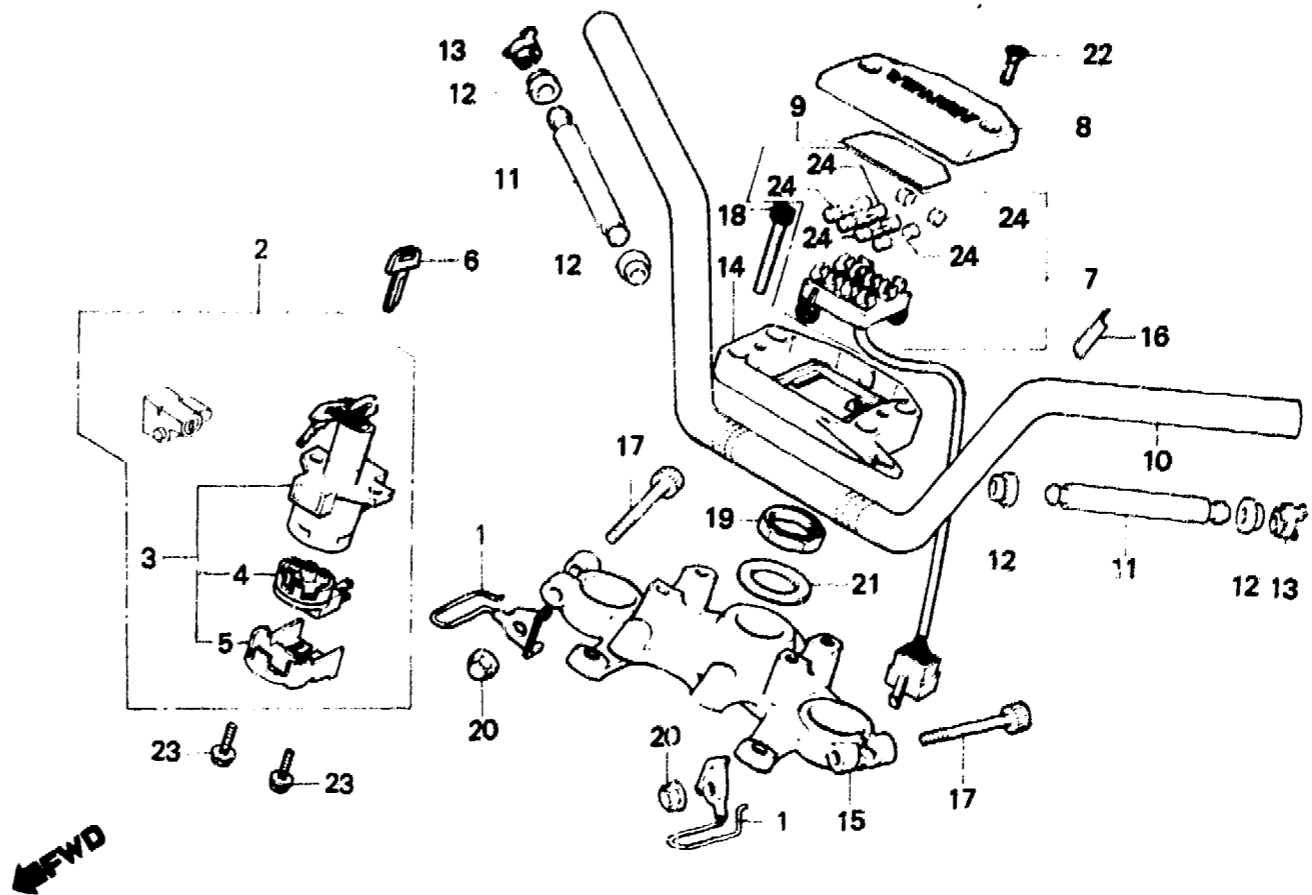
F-5

Handle pipe • Top bridge

Guidon • Haut de fourche

Lenkrohr • Obere Brücke

Tubo do manubrio •
Puente superior



BMC3-3

Service item	F.R.T.	Ref. No.	Part No.	Description	Reqd. No. CB750							Serial No.	Area code
					Fz	FA	Fb	Fc	F2c	Fd	F2d		
			53100-445-670	PIPE, STEERING HANDLE			1	1					CM
		11	53105-425-000	WEIGHT, HANDLE	2								DK,DM,E,ED,F,G SA,U,IT CM
			53105-425-830	WEIGHT, HANDLE		2	2	2	2	2	2		
		12	53107-425-000	RUBBER, HANDLE WEIGHT	4	4	4	4	4	4	4		
		13	53108-415-004	RING, HANDLE WEIGHT SNAP	2	2	2	2	2	2	2		
		14	53131-425-000	HOLDER, HANDLE UPPER	1	1							DK,DM,E,ED,F,G SA,U,IT CM
			53131-425-010	HOLDER, HANDLE UPPER			1	1	1	1	1		
			53131-MA4-670	HOLDER, HANDLE UPPER			1	1					CM
		15	53230-MC3-630	BRIDGE, FORK TOP						1	1		
			53230-425-000	BRIDGE, FORK TOP	1								CM
			53230-425-770	BRIDGE, FORK TOP		1	1	1	1				DK,DM,E,ED,F,G SA,U,IT CM
			53230-445-630	BRIDGE, FORK TOP			1	1					CM

1982.09.20

E

J4

J 5

F-5

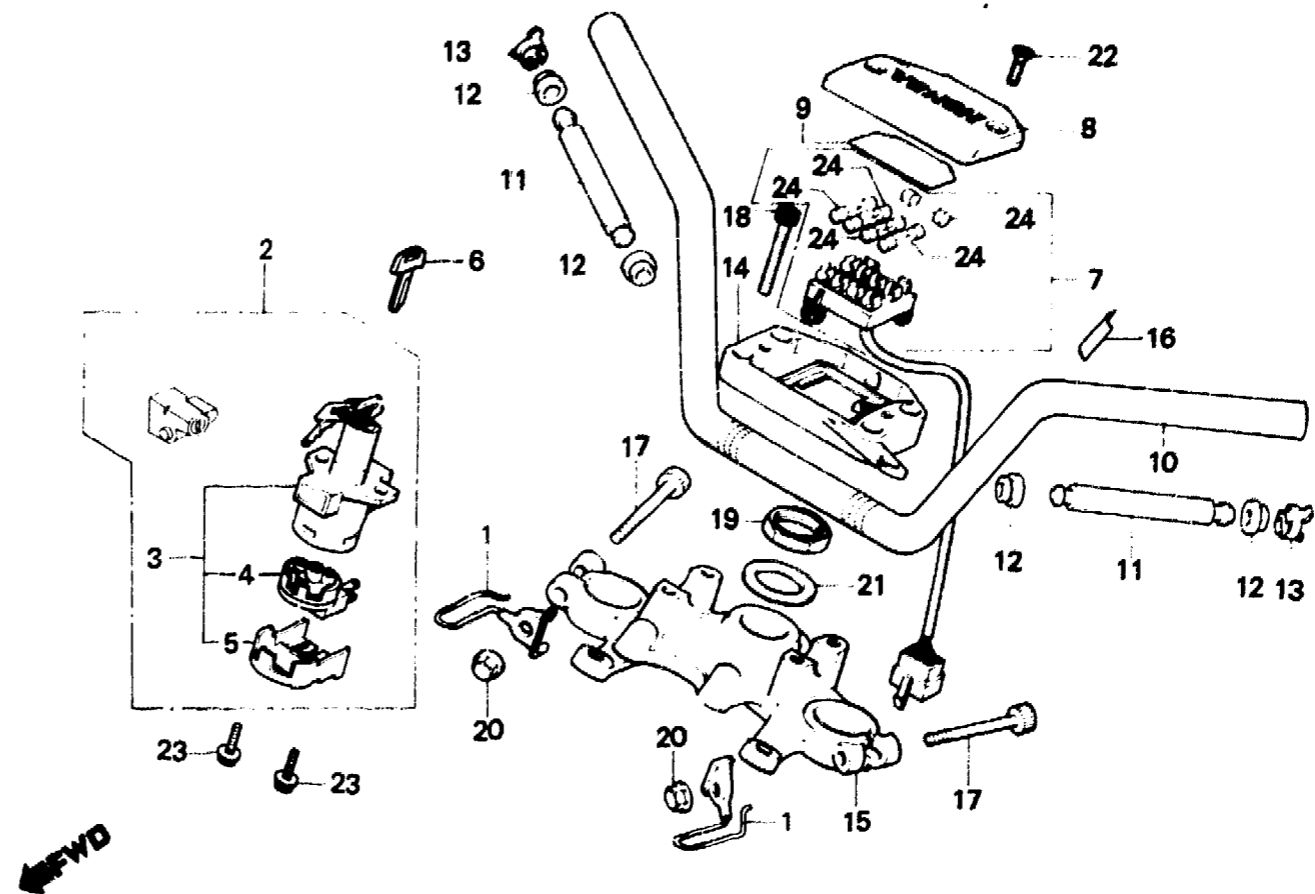
Handlé pipe • Top bridge

Guidon • Haut de fourche

Lenkrohr • Obere Brücke

Tubo do manubrio •

Puente superior



BMC3-3

Service item	F.R.T.	Ref. No.	Part No.	Description	Reqd. No.							Serial No.	Area code	
					Fz	FA	Fb	Fc	F2c	Fd	F2d			
		16	87517-445-630	LABEL, FR. FORK CAUTION			1	1						CM
			87517-445-730	LABEL, FR. FORK CAUTION (FRENCH)			1	1						CM
		17	90167-422-000	BOLT, SOCKET, 7X55	2	2	2	2	2	2	2			
		18	90185-371-000	BOLT, HEX. SOCKET, 8X32	4	4	4	4	4	4	4			
		19	90304-425-000	NUT, STEERING STEM	1	1	1	1	1	1	1			
		20	90360-422-000	NUT, CAP, 7MM	2	2	2	2	2	2	2			
		21	90503-425-000	WASHER, STEERING STEM	1	1	1	1	1	1	1			
		22	93700-05020-16	SCREW, OVAL, 5X20	2	2	2	2	2	2	2			
		23	95700-06012-00	BOLT, FLANGE, 6X12	2	2	2	2	2	2	2			
		24	98200-21000	FUSE B (10A)	5	5								
			98200-21500	FUSE B (15A)			5	5	5	5	5			

1982.09.20

E

J5



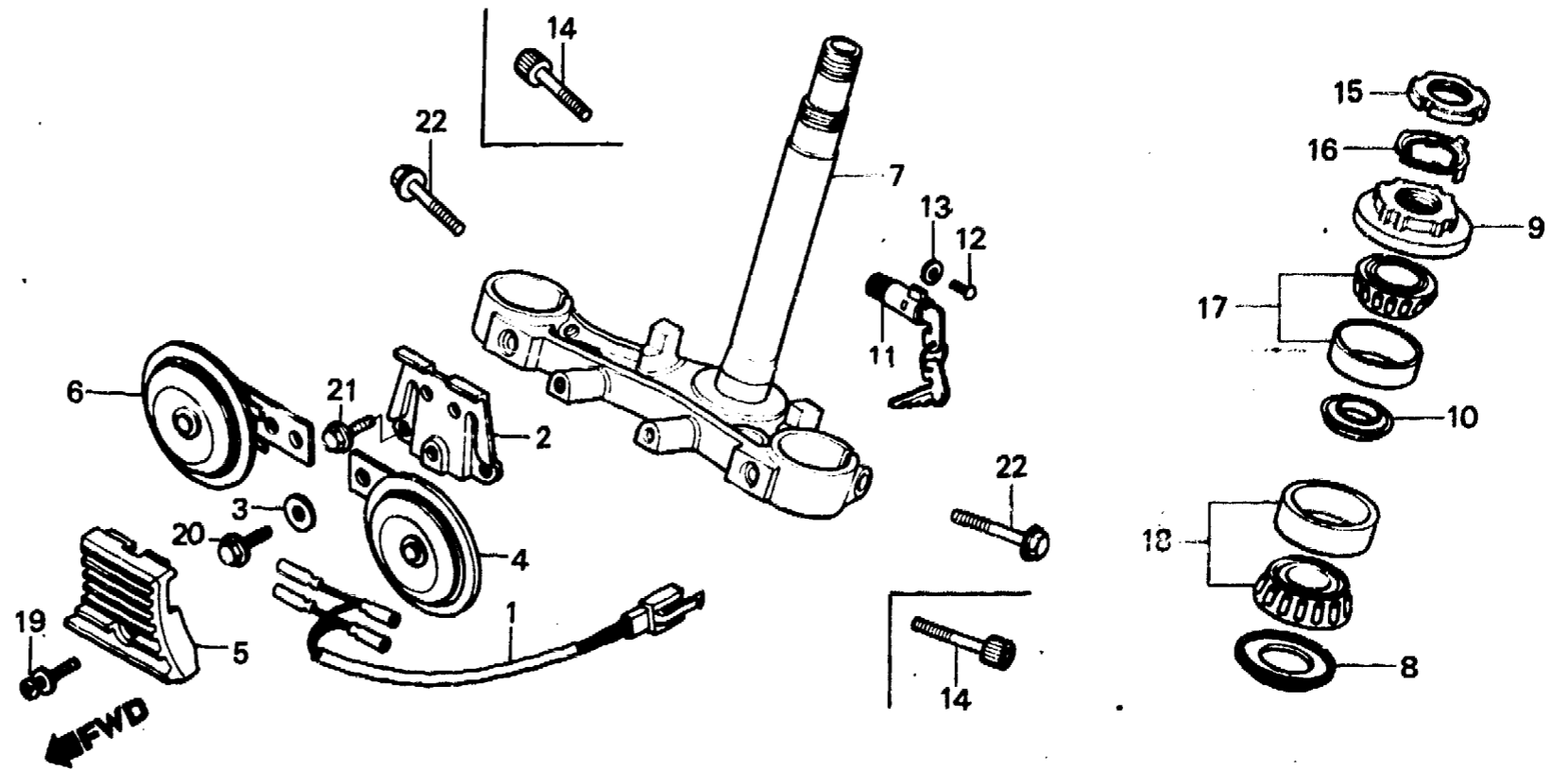
F-6

Steering stem

Tige de direction

Steuerkopfschaft

Varilla de dirección



B445-5A

Service item	F.R.T.	Ref. No.	Part No.	Description	Reqd. No. CB750							Serial No.	Area code
					Fz	FA	Fb	Fc	F2c	Fd	F2d		
HORN COMP. (ONE OR ALL)	0.1	1	32101-MG5-610	HARNES A, SUB WIRE	1	1	1	1		1			
			32101-438-000	HARNES A, SUB WIRE	1	1	1	1		1			
LOCK COMP., STEERING HANDLE		2	38102-438-004	STAY, HORN	1	1	1	1		1			
STEM COMP., STEERING	1.1	3	38106-410-004	WASHER, PLAIN, 20MM	2								
THREAD COMP., STEERING HEAD	0.5					2	2	2		2			
BEARING, HEAD PIPE (ONE OR ALL)	1.0	4	38110-438-004	HORN COMP. (HIGH)	1	1	1	1		1		CM,DK,DM,SA,U	
			38110-438-601	HORN COMP. (HIGH)		1	1			1		E,ED,IT	
		5	38111-438-000	EMBLEM, HORN	1	1	1	1		1		F,G	
		6	38120-438-004	HORN COMP. (LOW)	1	1	1	1				CM,DK,DM	
			38120-438-601	HORN COMP. (LOW)		1	1			1		SA,U	
						1	1			1		E,ED,IT	
						1	1	1				F,G	
		7	53200-425-000ZA	STEM COMP., STEERING *NH-1*	1								
			53200-425-611ZA	STEM COMP., STEERING *NH-1*		1							E,ED,F,G
			53200-425-770ZA	STEM COMP., STEERING *NH-1*		1							CM,DK,DM,SA,U



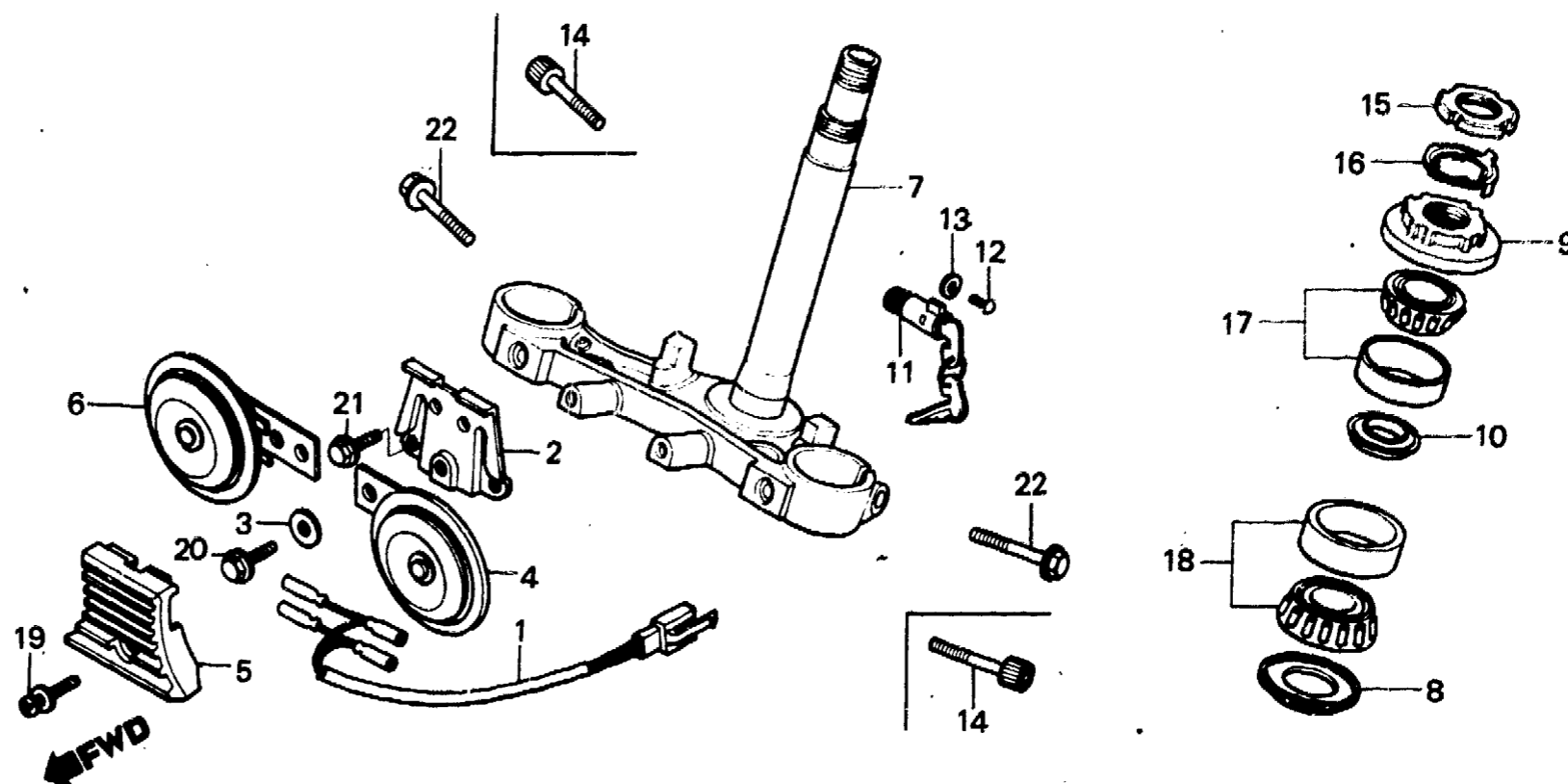
F-6

Steering stem

Tige de direction

Steuerkopfschaft

Varilla de dirección



B445-5A

Service item	F.R.T.	Ref. No.	Part No.	Description	Reqd. No.							Serial No.	Area code
					Fz	FA	Fb	Fc	F2c	Fd	F2d		
			53200-MA4-600ZA	STEM COMP., STEERING *NH-1*			1	1	1	1	1		DK,ED,F,G, SA, U, IT
			53200-MA4-610ZA	STEM COMP., STEERING *NH-1*			1	1	1	1	1		ED, G
			53200-445-630	STEM COMP., STEERING			1	1					CM
		8	53214-371-010	DUST SEAL, STEERING HEAD	1	1	1	1	1	1	1		
		9	53220-422-000	THREAD COMP., STEERING HEAD TOP	1	1	1	1	1	1	1		
		10	53223-371-010	HOLDER, GREASE	1	1	1	1	1	1	1		
		11	53600-404-610	LOCK COMP., STEERING HANDLE			1						E, F
		12	53603-051-000	RIVET, 4.1MM			1	1	1	1	1		ED, G, IT
		13	53604-098-940	WASHER, 4.5MM			1	1	1	1	1		E, F
		14	90164-422-000	BOLT, SOCKET, 10X32	2	2							ED, G, IT
		15	90302-425-830	THREAD B, STEERING HEAD TOP	1	1	1	1	1	1	1		

J 8

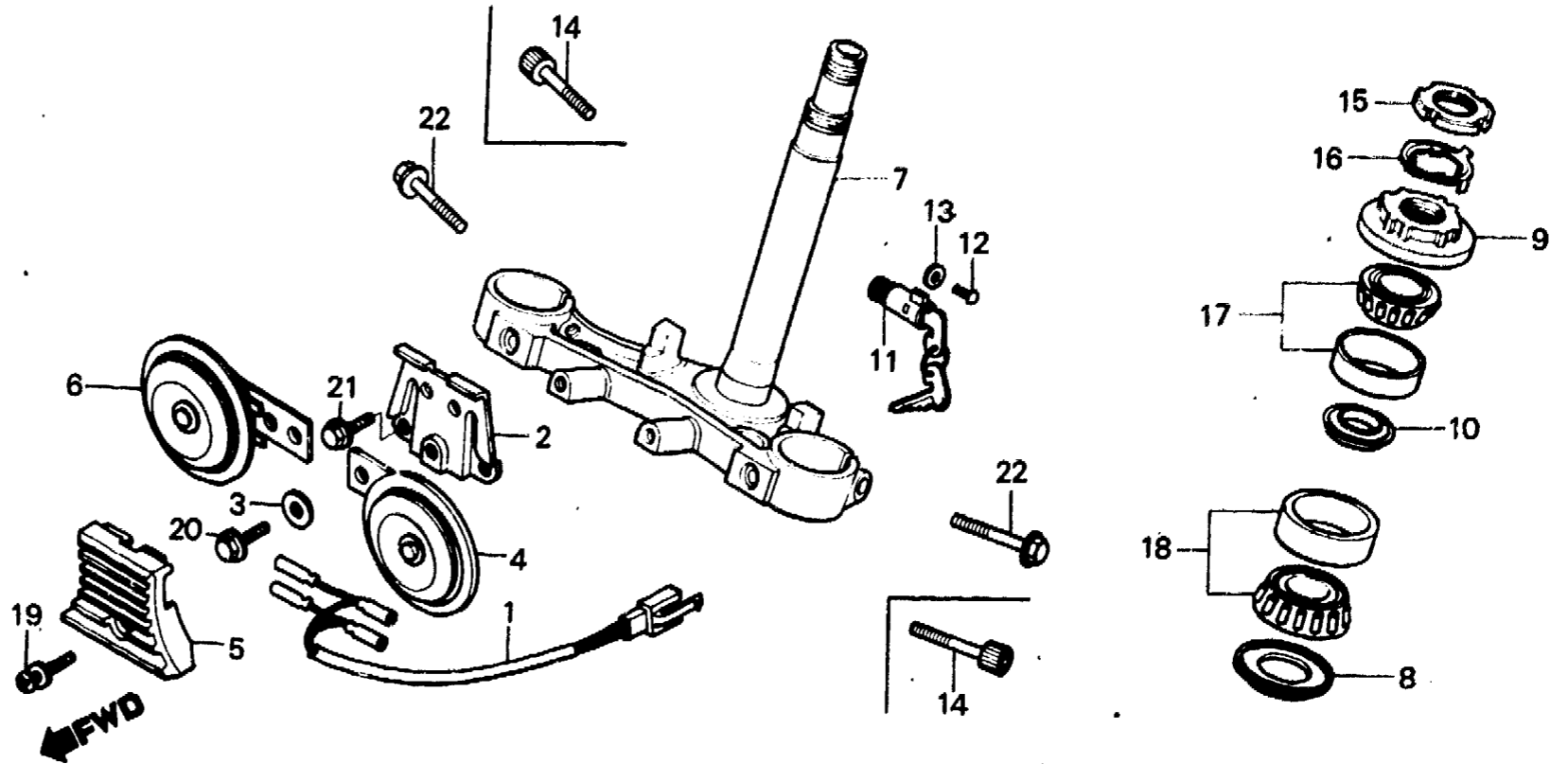
F-6

Steering stem

Tige de direction

Steuerkopfschaft

Varilla de dirección



B445-5A

Service item	F.R.T.	Ref. No.	Part No.	Description	Reqd. No. CB750							Serial No.	Area code
					Fz	FA	Fa	Fc	F2c	Fd	F2d		
		16	90506-425-830	WASHER, LOCK		1	1	1	1	1	1		
		17	91015-371-000	BEARING, HEAD PIPE UPPER (NACHI)	1								
			91015-425-831	BEARING, HEAD PIPE UPPER (TOYD)		1	1	1	1	1	1		
			91015-425-832	BEARING, HEAD PIPE UPPER (NACHI)		1	1	1	1	1	1		
		18	91016-371-000	BEARING, HEAD PIPE UNDER	1	1	1	1	1	1	1		
		19	93891-05020-07	SCREW-WASHER, 5X20	1	1	1	1		1			
		20	95700-06012-00	BOLT, FLANGE, 6X12	2	2	2	2		2			
		21	95700-06025-00	BOLT, FLANGE, 6X25	2	2							CM DK,DM,E,ED,F,G SA,U,IT CM
			95700-06022-00	BOLT, FLANGE, 6X22			2	2					
		22	95700-10035-07	BOLT, FLANGE, 10X35			2	2	2	2	2		

1982.09.20

E

J8



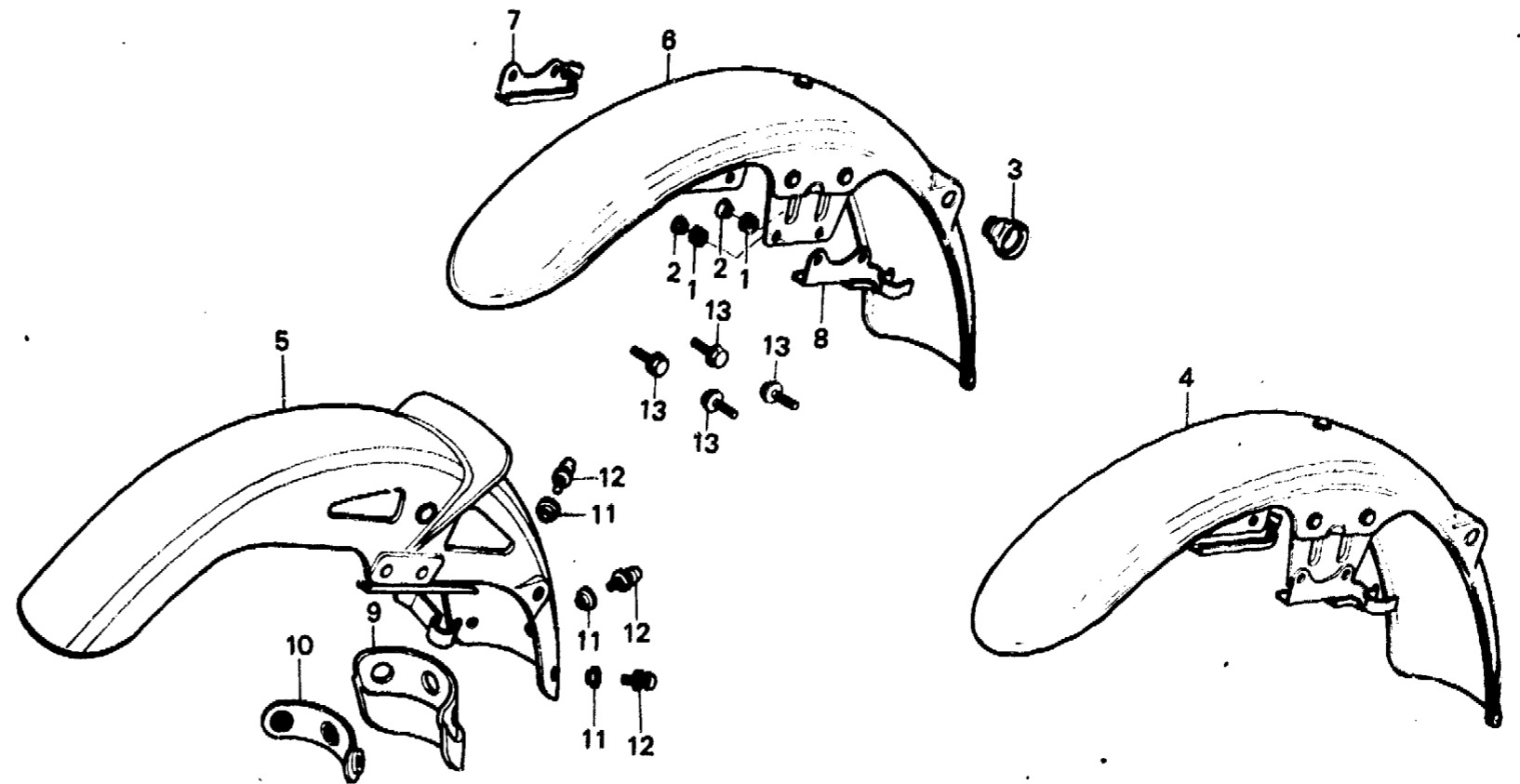
F-7

Front fender

Garde-boue avant

Vorderer Kotflügel

Parafango delantero



B445-29

Service item	F.R.T.	Ref. No.	Part No.	Description	Reqd. No. CB750							Serial No.	Area code
					Fz	FA	Fa	Fc	F2c	Fo	F2o		
GROMMET, WIRE FENDER COMP., FR.	0.1	1	40513-310-000	RUBBER, CHAIN CASE MOUNTING		2							CM
	0.2	2	40514-310-000	COLLAR, CHAIN CASE		2							CM
		3	45451-367-690	GROMMET, WIRE	1	1	1	1	1	1	1		
		4	61100-438-000ZA	FENDER COMP., FR. *NH-104M-U*	1								
			61100-438-000ZD	FENDER COMP., FR. *NH-1*	1								
			61100-438-020ZD	FENDER COMP., FR. *NH-1*		1							DK,DM,E,ED,F,G SA,U
			61100-438-020ZE	FENDER COMP., FR. *R-107C-U*		1							DK,DM,E,ED,F,G SA,U
			61100-438-020ZF	FENDER COMP., FR. *NH-110M-U*		1							DK,DM,E,ED,F,G SA,U
			61100-438-020ZG	FENDER COMP., FR. *NH-111*		1							DK,DM,E,ED,F,G SA,U
		5	61100-445-630ZA	FENDER COMP., FR. *NH-104M-U*			1	1					CM
			61100-445-630ZB	FENDER COMP., FR. *NH-1*			1	1					CM
			61100-445-860ZA	FENDER COMP., FR. *R-107C-U*			1	1					DK,DM,E,F,G,SA U

J 10

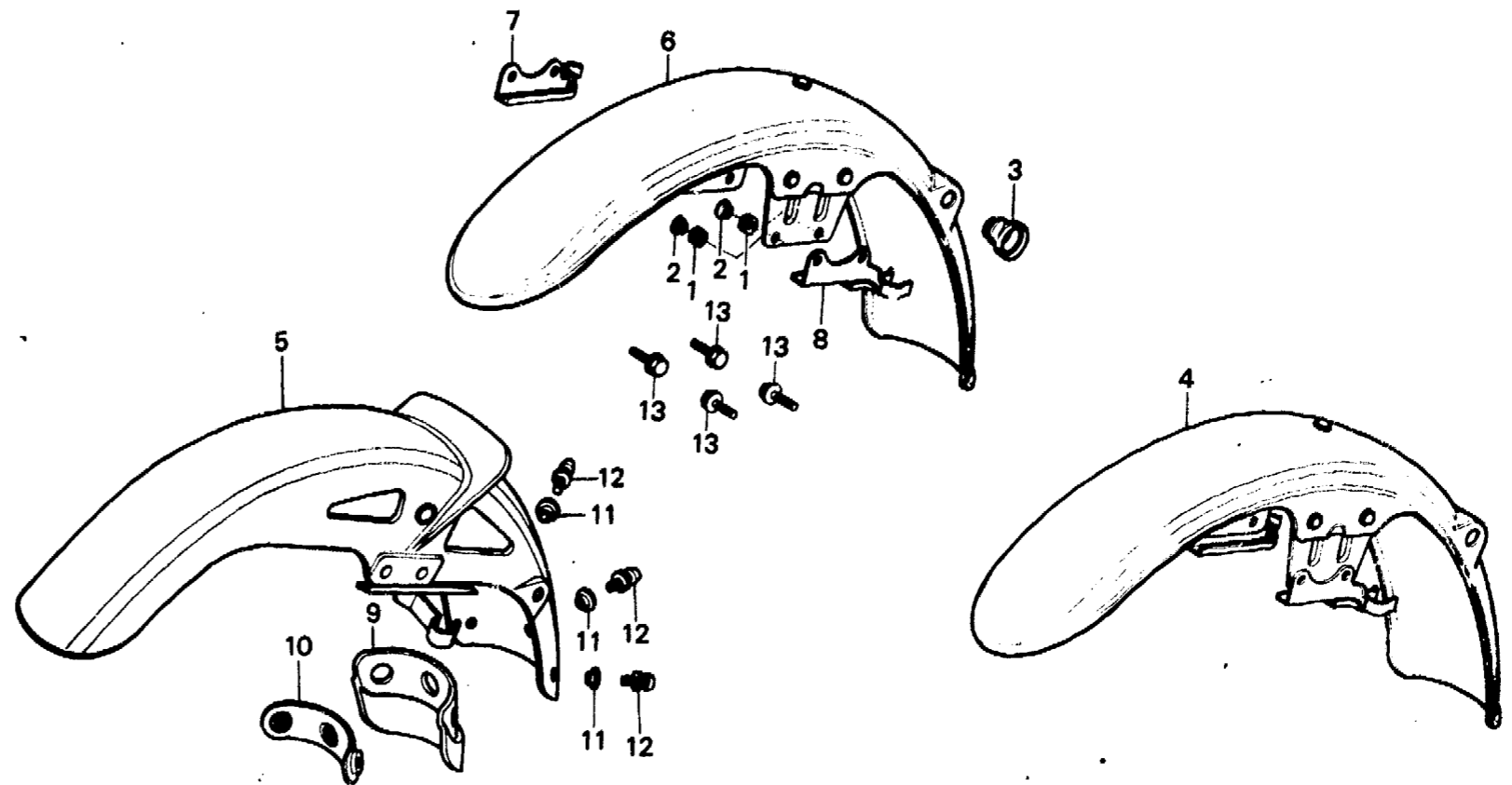
F-7

Front fender

Garde-boue avant

Vorderer Kotflügel

Parafango delantero



B445-29

Service item	F.R.T.	Ref. No.	Part No.	Description	Reqd. No. CB750						Serial No.	Area code
					Fz	FA	Fb	Fc	F2c	Fd		
			61100-445-860ZB	FENDER COMP., FR. *NH-1*	1	1	1					DK,DM,E,F,G,SA U
			61100-445-860ZC	FENDER COMP., FR. *NH-110M-U*	1							DK,DM,E,F,G,SA U
			61100-445-860ZD	FENDER COMP., FR. *NH-111*	1							DK,DM,E,F,G,SA U
			61100-445-860ZE	FENDER COMP., RR. *NH-121P-A*			1	1	1	1		DK,DM,E,F,G,SA U,IT
			61100-445-860ZF	FENDER COMP., FR. *PB-115C-U*			1					DK,DM,E,F,G,SA U
			61100-445-860ZG	FENDER COMP., FR. *R-110*						1	1	E,SA,U.IT
			61100-445-860ZH	FENDER COMP., FR. *PB-107C-U*						1		E,SA,U.IT
			61100-445-880ZA	FENDER COMP., FR. *R-107C-U*	1	1						ED
			61100-445-880ZB	FENDER COMP., FR. *NH-1*	1	1	1					ED
			61100-445-880ZC	FENDER COMP., FR. *NH-110M-U*	1							ED
			61100-445-880ZD	FENDER COMP., FR. *NH-111*	1							ED

1982.09.20

E

J10

J 11

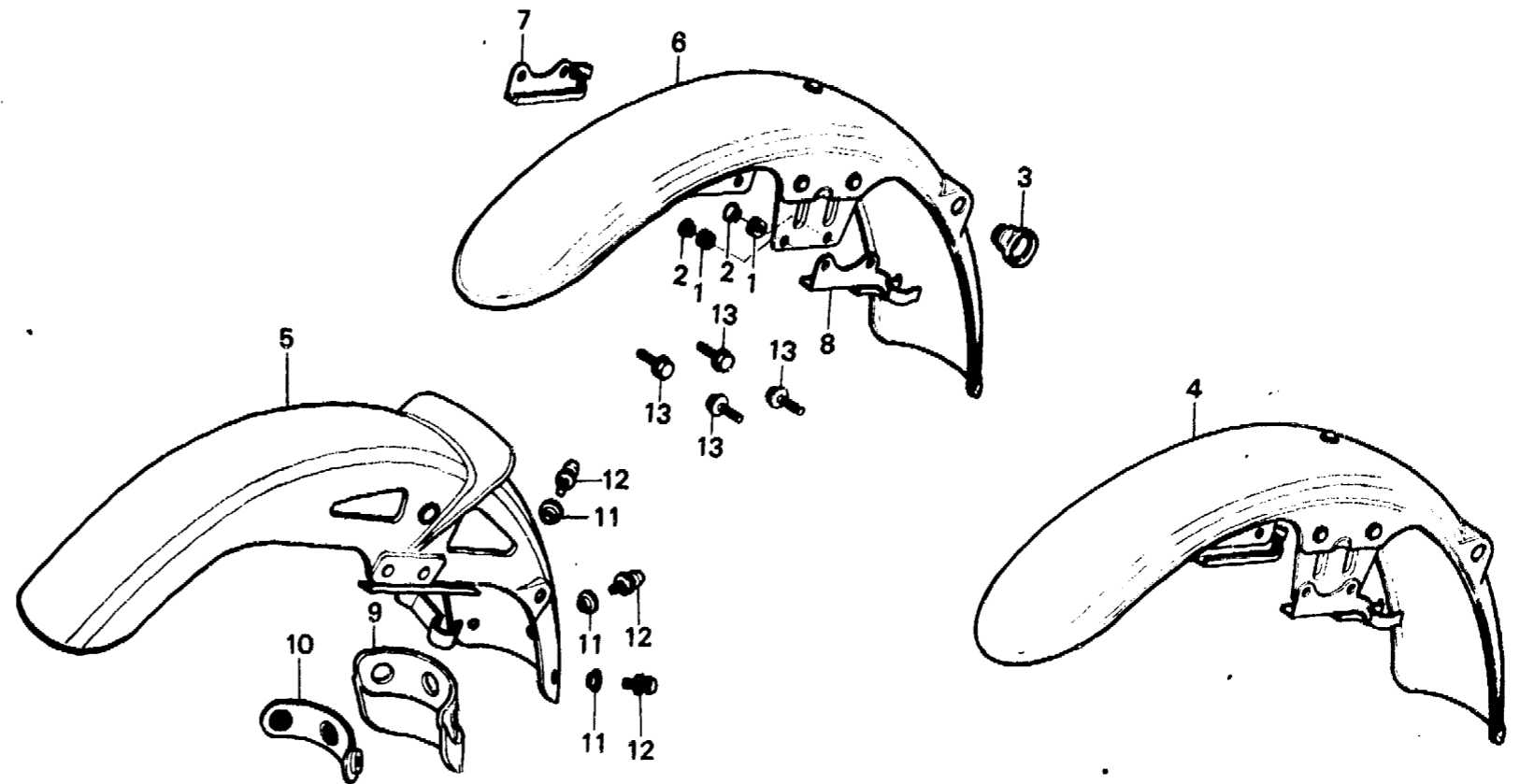
F-7

Front fender

Garde-boue avant

Vorderer Kotflügel

Parafango delantero



B445-29

Service item	F.R.T.	Ref. No.	Part No.	Description	Reqd. No. CB750							Serial No.	Area code
					Fz	FA	Fb	Fc	F2c	Fd	F2d		
			61100-445-880ZE	FENDER COMP., RR. *NH-121P-A*				1	1	1	1		ED
			61100-445-880ZF	FENDER COMP., FR. *PB-115C-U*				1					ED
			61100-445-880ZG	FENDER COMP., FR. *R-110*						1	1		ED
			61100-445-880ZH	FENDER COMP., FR. *PB-107C-U*						1			ED
		6	61100-445-771ZA	FENDER COMP., FR. *NH-104M-U*	1								CM
			61100-445-771ZB	FENDER COMP., FR. *NH-1*	1								CM
		7	61102-445-770ZA	GUIDE, R. FR. FENDER WATER *NH-104M-U*	1								CM
			61102-445-770ZB	GUIDE, R. FR. FENDER WATER *NH-1*	1								CM
		8	61103-445-770ZA	GUIDE, L. FR. FENDER WATER *NH-104M-U*	1								CM
			61103-445-770ZB	GUIDE, L. FR. FENDER WATER *NH-1*	1								CM
		9	61105-445-880	MUDGUARD, FR. FENDER			1	1	1	1	1		ED

1982.09.20

E

J11

J 12

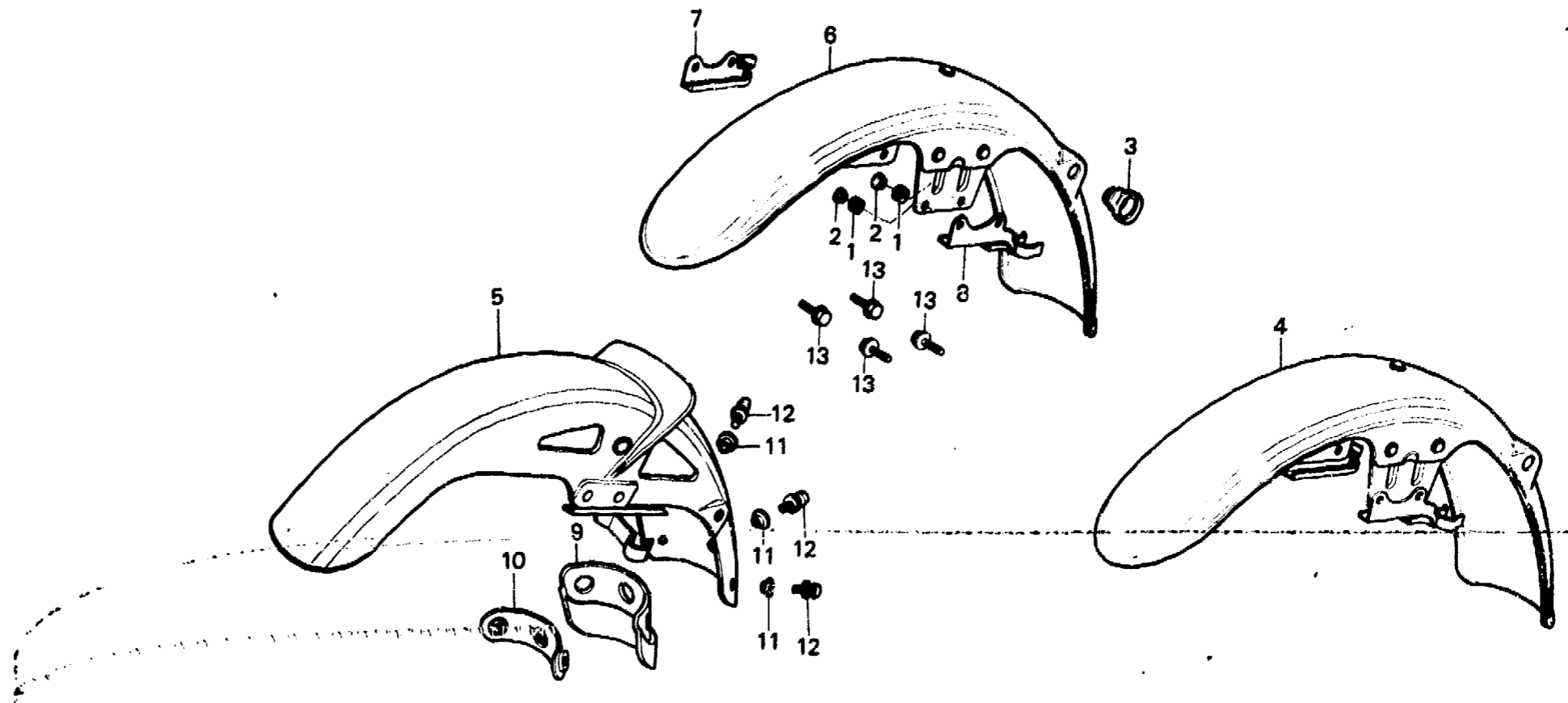
F-7

Front fender

Garde-boue avant

Vorderer Kotflügel

Parafango delantero



B445-29

Service item	F.R.T.	Ref. No.	Part No.	Description	Reqd. No. CB750							Serial No.	Area code
					Fz	FA	Fb	Fc	F2c	Fd	F2d		
		10	61106-445-880	PLATE, MUDGUARD SETTING			1	1	1	1	1		ED
		11	90556-044-000	WASHER, FR. FENDER SETTING			3	3	3	3	3		ED
		12	93892-06010-07	SCREW-WASHER, 6X10			3	3	3	3	3		ED
		13	95700-06016-00	BELT, FLANGE, 6X16	4	4	4	4	4	4	4		

J 13

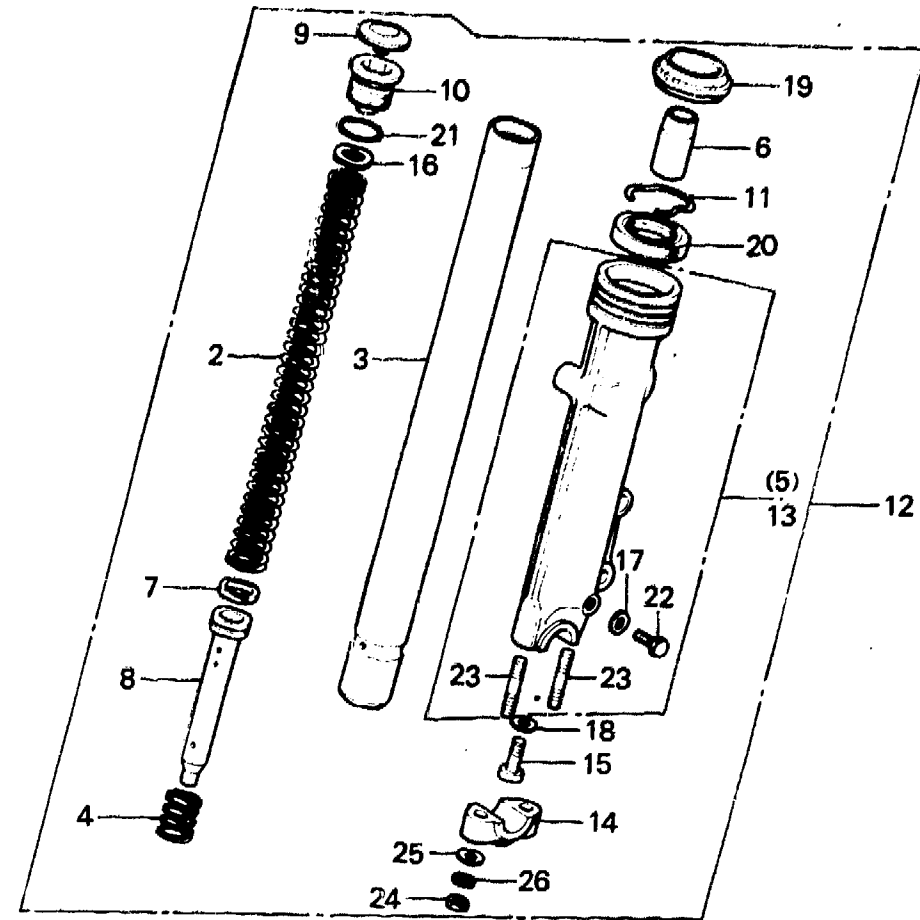
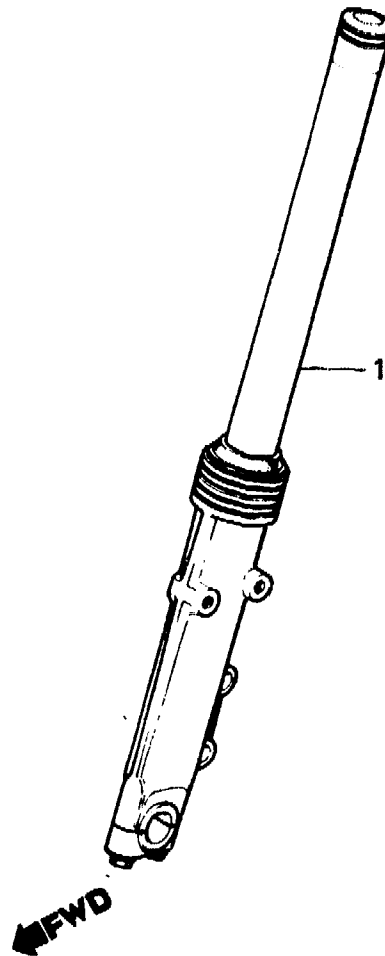
F-8

**Front fork (CB750Fz·FA·FB·Fc·
F2c·Fd·F2D-DK,DM,E,ED,F,G,IT,SA,U)**

**Fourche avant (CB750Fz·FA·FB·Fc·
F2c·Fd·F2D-DK,DM,E,ED,F,G,IT,SA,U)**

**Vordergabel (CB750Fz·FA·FB·Fc·
F2c·Fd·F2D-DK,DM,E,ED,F,G,IT,SA,U)**

**Horquilla delantero (CB750Fz·FA·FB·Fc·
F2c·Fd·F2D-DK,DM,E,ED,F,G,IT,SA,U)**



B425-58

Service item	F.R.T.	Ref. No.	Part No.	Description	Reqd. No. CB750							Serial No.	Area code	
					Fz	FA	Fb	Fc	F2c	Fd	F2D			
FORK ASSY., FR. (ADD 0.2 FOR EACH.)	0.5	1	51400-445-003	FORK ASSY., R. FR.	1									
SPRING, FR. CUSHION	0.2		51400-445-013	FORK ASSY., R. FR. (SHOWA)		1						2110585	2110584	
PIPE COMP., FR. FORK (ADD 0.4 FOR EACH.)	0.7						1	1	1	1	1			DK,DM,E,ED,F,G SA,U,IT
OIL SEAL, 35X48X11 (ADD 0.4 FOR EACH.)		2	51401-425-000	SPRING, FR. CUSHION	2	2								CM
CASE COMP., BOTTOM (ADD 0.6 FOR EACH.)	0.9				2	2	2	2	2	2				DK,DM,E,ED,F,G SA,U,IT
		3	51410-425-003	PIPE COMP., FR. FORK	2	2	2	2	2	2				CM
		4	51412-340-000	SPRING, FR. FORK REBOUND	2	2	2	2	2	2				DK,DM,E,ED,F,G SA,U,IT
		5	51421-445-003	CASE COMP., R. BOTTOM	1	1	1	1	1	1				CM
		6	51432-371-003	PIECE, OIL LOCK	2	2	2	2	2	2				DK,DM,E,ED,F,G SA,U,IT

J 14

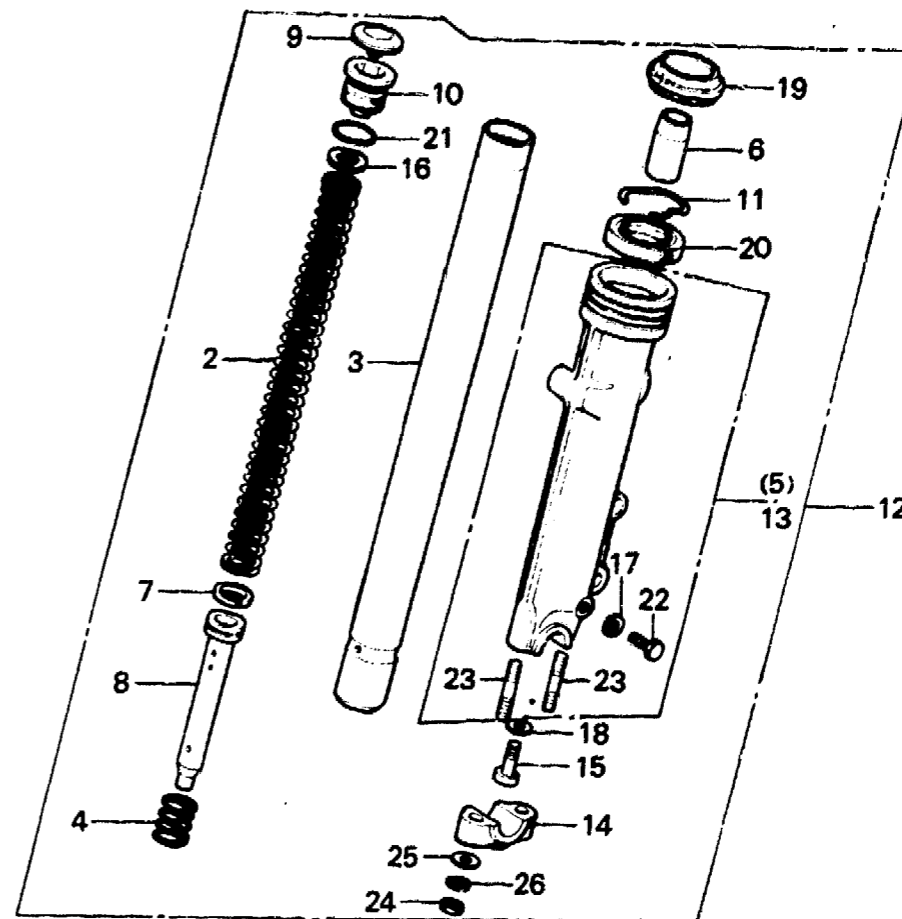
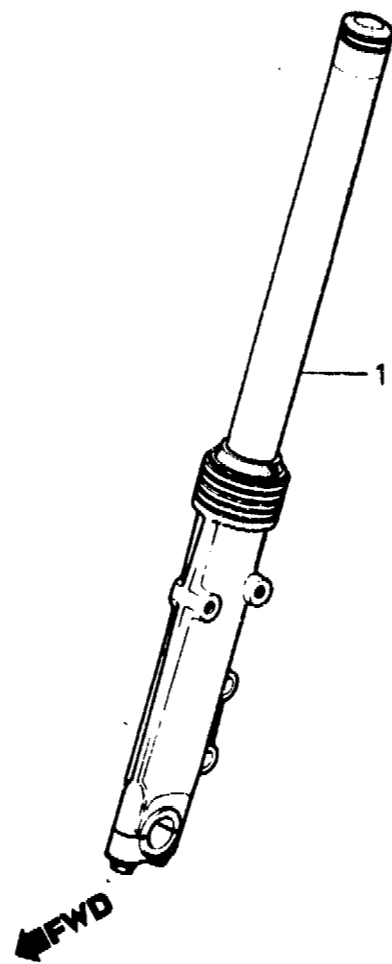
F-8

Front fork (CB750Fz·FA·FB·Fc·
F2c·Fd·F2D-DK,DM,E,ED,F,G,IT,SA,U)

Fourche avant (CB750Fz·FA·FB·Fc·
F2c·Fd·F2D-DK,DM,E,ED,F,G,IT,SA,U)

Vordergabel (CB750Fz·FA·FB·Fc·
F2c·Fd·F2D-DK,DM,E,ED,F,G,IT,SA,U)

Horquilla delantero (CB750Fz·FA·FB·Fc·
F2c·Fd·F2D-DK,DM,E,ED,F,G,IT,SA,U)



B425-58

Service item	F.R.T.	Ref. No.	Part No.	Description	Reqd. No. CB750							Serial No.	Area code	
					Fz	FA	Fb	Fc	F2c	Fd	F2D			
		7	51437-400-771	RING, PISTON	2	2								CM DK,DM,E,ED,F,G SA,U,IT
		8	51440-425-003	PIPE, SEAT	2	2								CM DK,DM,E,ED,F,G SA,U,IT
		9	51449-428-003	CAP, FORK PIPE	2	2								CM DK,DM,E,ED,F,G SA,U,IT
		10	51454-428-003	BOLT, FR. FORK	2	2								CM DK,DM,E,ED,F,G SA,U,IT
		11	51466-375-000	RING, OIL SEAL STOPPER	2	2								CM DK,DM,E,ED,F,G SA,U,IT
		12	51500-445-003	FORK ASSY., L. FR.	1									
			51500-445-013	FORK ASSY., L. FR. (SHOWA)		1						2110585	2110584	DK,DM,E,ED,F,G SA,U,IT
							1	1	1	1	1			

J 15

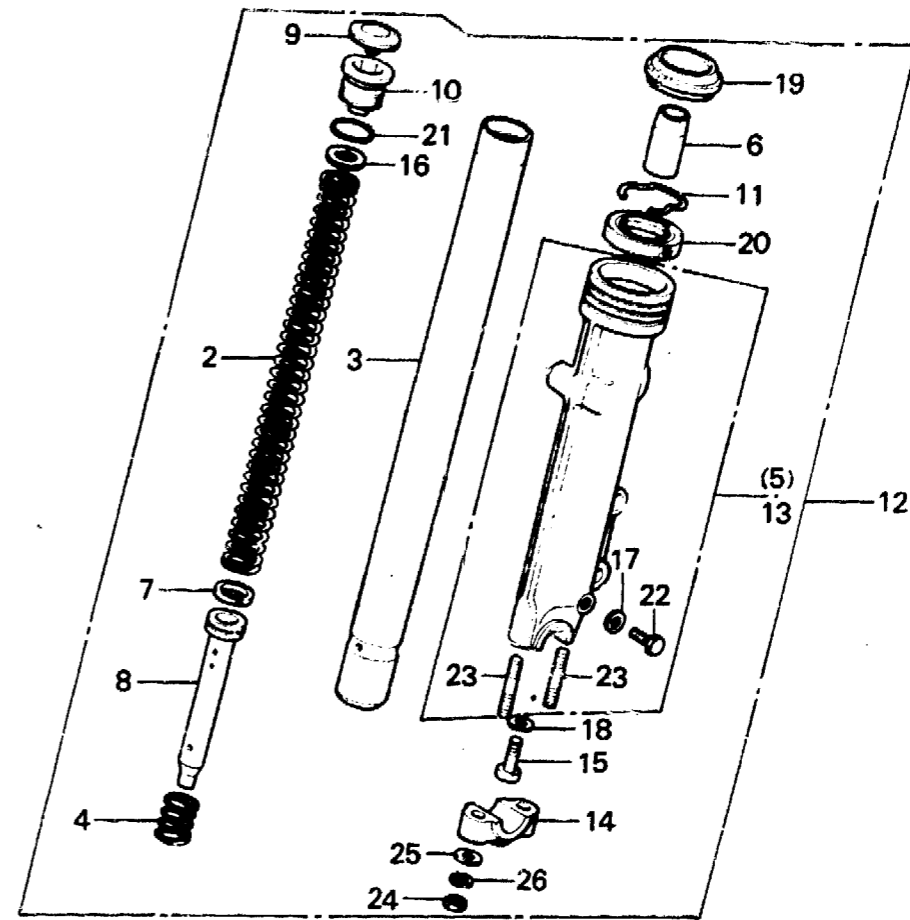
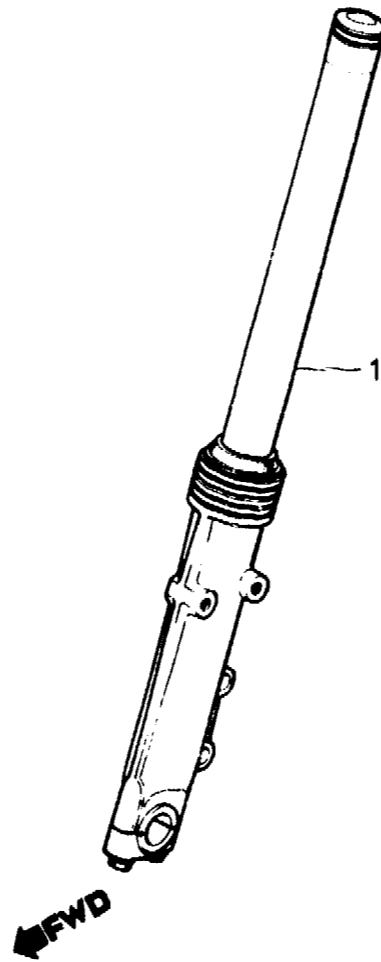
F-8

Front fork (CB750Fz·FA·FB·Fc·
F2c·Fd·F2D-DK,DM,E,ED,F,G,IT,SA,U)

Fourche avant (CB750Fz·FA·FB·Fc·
F2c·Fd·F2D-DK,DM,E,ED,F,G,IT,SA,U)

Vordergabel (CB750Fz·FA·FB·Fc·
F2c·Fd·F2D-DK,DM,E,ED,F,G,IT,SA,U)

Horquilla delantero (CB750Fz·FA·FB·Fc·
F2c·Fd·F2D-DK,DM,E,ED,F,G,IT,SA,U)



B425-58

Service item	F.R.T.	Ref. No.	Part No.	Description	Reqd. No. CB750							Serial No.	Area code	
					Fz	FA	Fb	Fc	F2c	Fd	F2D			
		13	51521-445-003	CASE COMP., L. BOTTOM	1	1								CM DK,DM,E,ED,F,G SA,U,IT
		14	51634-410-003	HOLDER, FR. FORK AXLE	2	2								CM DK,DM,E,ED,F,G SA,U,IT
		15	90116-283-010	BOLT, SOCKET, 8MM	2	2								CM DK,DM,E,ED,F,G SA,U,IT
		16	90504-425-003	WASHER, FR. FORK	2	2								CM DK,DM,E,ED,F,G SA,U,IT
		17	90543-273-000	PACKING, FR. FORK DRAIN COCK	2	2								CM DK,DM,E,ED,F,G SA,U,IT
		18	90544-283-000	WASHER, SPECIAL, 8MM	2	2								CM DK,DM,E,ED,F,G SA,U,IT
		19	91254-400-771	DUST SEAL, 35MM	2									2110584

J 16

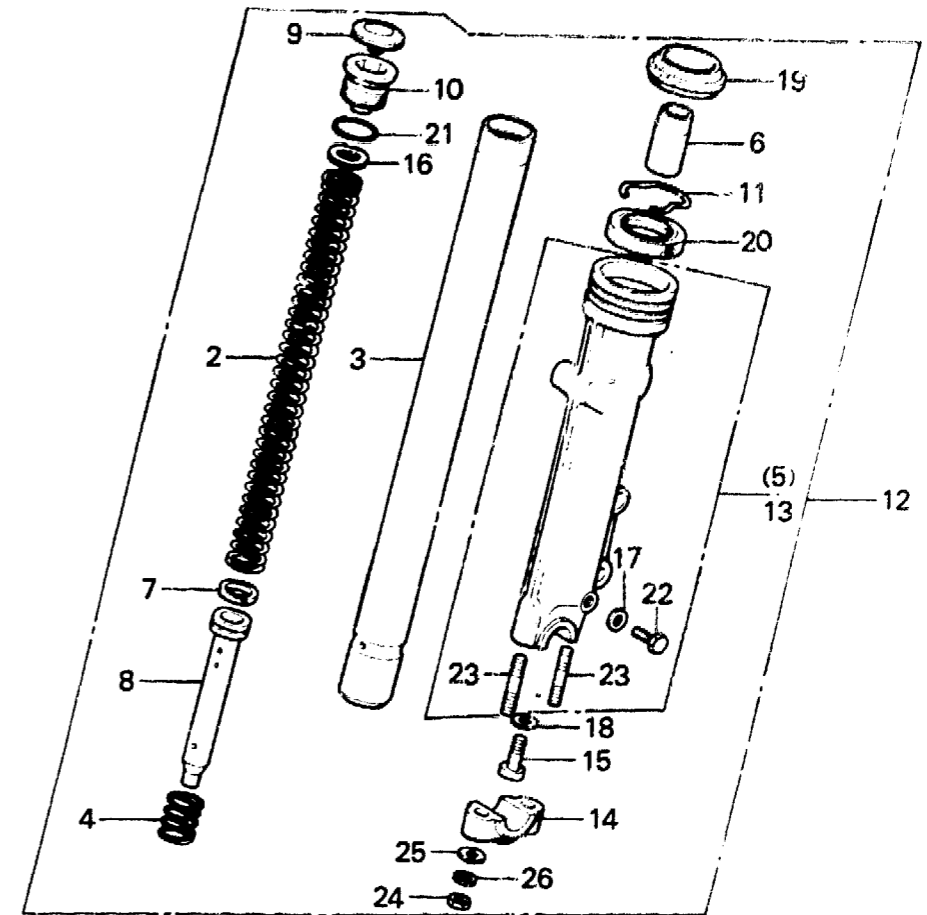
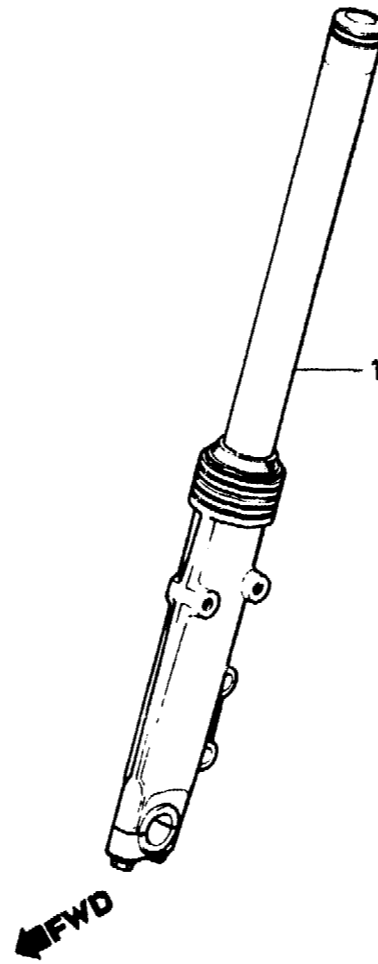
F-8

**Front fork (CB750Fz·FA·FB·Fc·
F2c·Fd·F2D-DK,DM,E,ED,F,G,IT,SA,U)**

**Fourche avant (CB750Fz·FA·FB·Fc·
F2c·Fd·F2D-DK,DM,E,ED,F,G,IT,SA,U)**

**Vordergabel (CB750Fz·FA·FB·Fc·
F2c·Fd·F2D-DK,DM,E,ED,F,G,IT,SA,U)**

**Horquilla delantero (CB750Fz·FA·FB·Fc·
F2c·Fd·F2D-DK,DM,E,ED,F,G SA,U)**



B425-58

Service item	F.R.T.	Qty. No.	Part No.	Description	Reqd. No.							Serial No.	Area code
					CB750								
					Fz	FA	Fb	Fc	F2c	Fd	F2D		
			91254-434-003	DUST SEAL, 35MM		2						2110585	DK,DM,E,ED,F,G SA,U,IT
		20	91255-434-003	OIL SEAL, 35X48X11		2						2110584	DK,DM,E,ED,F,G SA,U,IT
			91255-434-013	OIL SEAL, 35X48X11		2							
		21	91356-428-003	O-RING, 25.7X28		2	2	2	2	2	2		CM DK,DM,E,ED,F,G SA,U,IT
		22	92000-06008	BOLT, HEX., 6X8		2	2	2	2	2	2		CM DK,DM,E,ED,F,G SA,U,IT
		23	92700-08050-3B	BOLT, STUD, 8X50		4	4	4	4	4	4		CM DK,DM,E,ED,F,G SA,U,IT

K 1

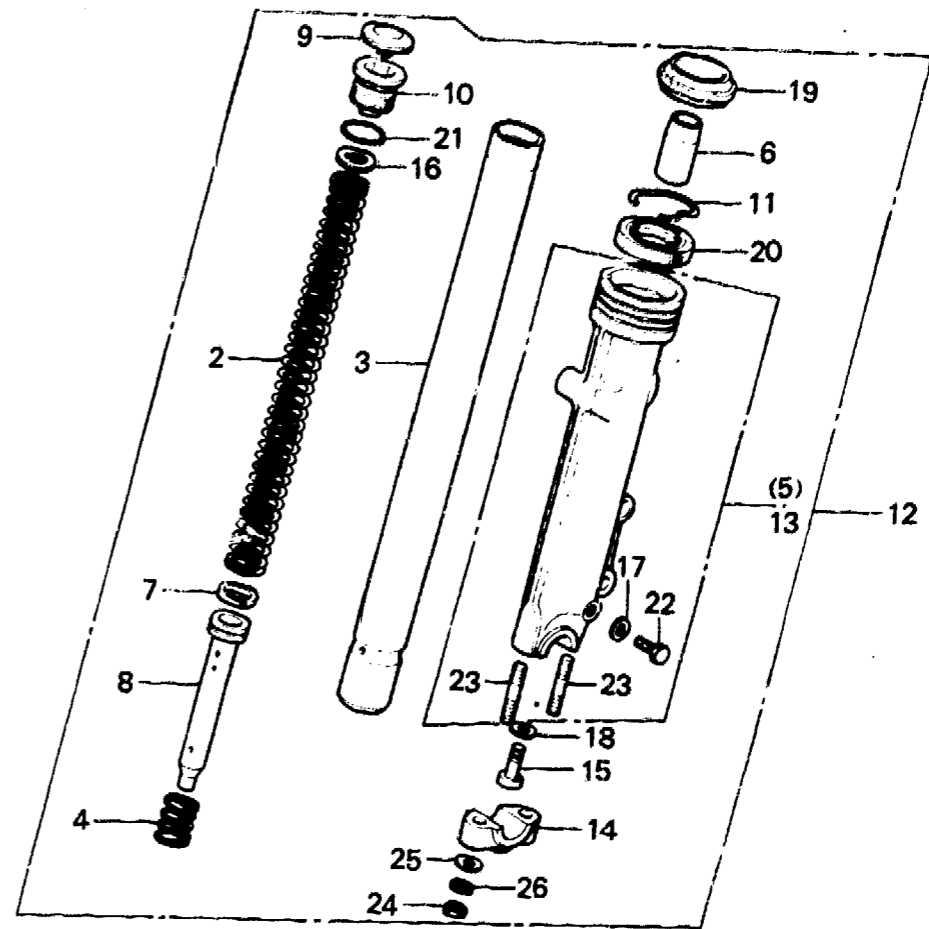
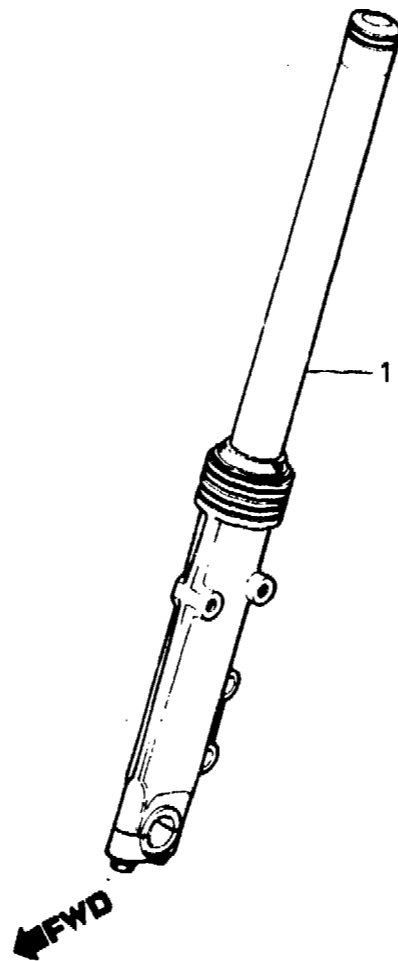
F-8

Front fork (CB750Fz·FA·FB·Fc·
F2c·Fd·F2D-DK,DM,E,ED,F,G,IT,SA,U)

Fourche avant (CB750Fz·FA·FB·Fc·
F2c·Fd·F2D-DK,DM,E,ED,F,G,IT,SA,U)

Vordergabel (CB750Fz·FA·FB·Fc·
F2c·Fd·F2D-DK,DM,E,ED,F,G,IT,SA,U)

Horquilla delantero (CB750Fz·FA·FB·Fc·
F2c·Fd·F2D-DK,DM,E,ED,F,G,IT,SA,U)



B425-58

Service item	F.R.T.	Ref. No.	Part No.	Description	Reqd. No. CB750							Serial No.	Area code
					Fz	FA	Fb	Fc	F2c	Fd	F2D		
		24	94030-08000	NUT, HEX., 8MM	4	4							CM DK,DM,E,ED,F,G SA,U,IT
		25	94101-08000	WASHER, PLAIN, 8MM	4	4	4	4	4	4	4		CM DK,DM,E,ED,F,G SA,U,IT
		26	94111-08000	WASHER, SPRING, 8MM	4	4	4	4	4	4	4		CM DK,DM,E,ED,F,G SA,U,IT

1982.09.20

E

K1

K 2

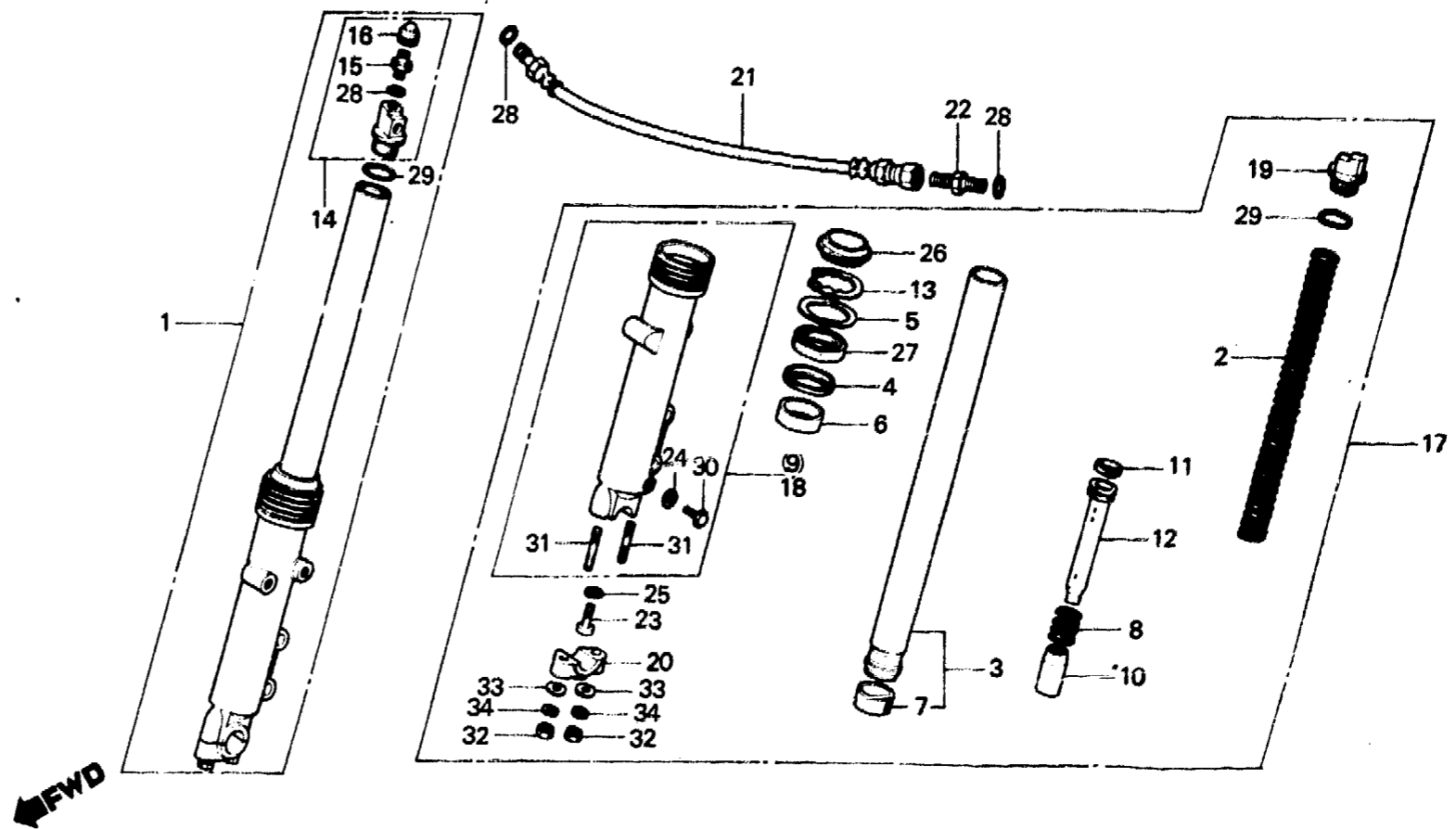
F-8-1

**Front fork
(CB750FB·Fc·CM)**

**Fourche avant
(CB750FB·Fc·CM)**

**Vordergabel
(CB750FB·Fc·CM)**

**Horquilla delantero
(CB750FB·Fc·CM)**



B445-30

Service item	F.R.T.	Ref. No.	Part No.	Description	Reqd. No.						Serial No.	Area code
					Fz	FA	Fb	Fc	F2c	Fd		
FORK ASSY., FR. (ADD 0.2 FOR EACH.)	0.6	1	51400-445-631	FORK ASSY., R. FR. (SHOWA)				1	1			CM
SPRING, FR. CUSHION (ADD 0.2 FOR EACH.)	0.3	2	51401-445-631	SPRING, FR. CUSHION (SHOWA)				2	2			CM
PIPE COMP., FR. FORK (ADD 0.2 FOR EACH.)	0.9	3	51410-445-631	PIPE COMP., FR. FORK (SHOWA)				2	2			CM
PIPE COMP., FR. FORK (ADD 0.6 FOR EACH.)	0.9	4	51412-461-003	RING, BACK UP				2	2			CM
CASE COMP., BOTTOM (ADD 0.6 FOR EACH.)		5	51413-461-003	PLATE, BACK UP				2	2			CM
VALVE COMP., AIR	0.1	6	51414-461-003	BUSH, GUIDE				2	2			CM
HOSE COMP., FR. FORK JOINT	0.2	7	51415-461-003	BUSH, SLIDER				2	2			CM
OIL SEAL, 37X50X11 (ADD 0.5 FOR EACH.)	0.8	8	51416-461-003	SPRING, REBOUND				2	2			CM
		9	51421-445-631	CASE COMP., R. BOTTOM (SHOWA)				1	1			CM
		10	51432-461-771	PIECE, OIL LOCK				2	2			CM
		11	51437-461-003	RING, PISTON				2	2			CM
		12	51440-445-631	PIPE, SEAT (SHOWA)				2	2			CM
		13	51447-461-003	CIRCLIP, INTERNAL, 50MM				2	2			CM
		14	51450-461-013	BOLT ASSY., FR. FORK (SHOWA)				1	1			CM

K 3

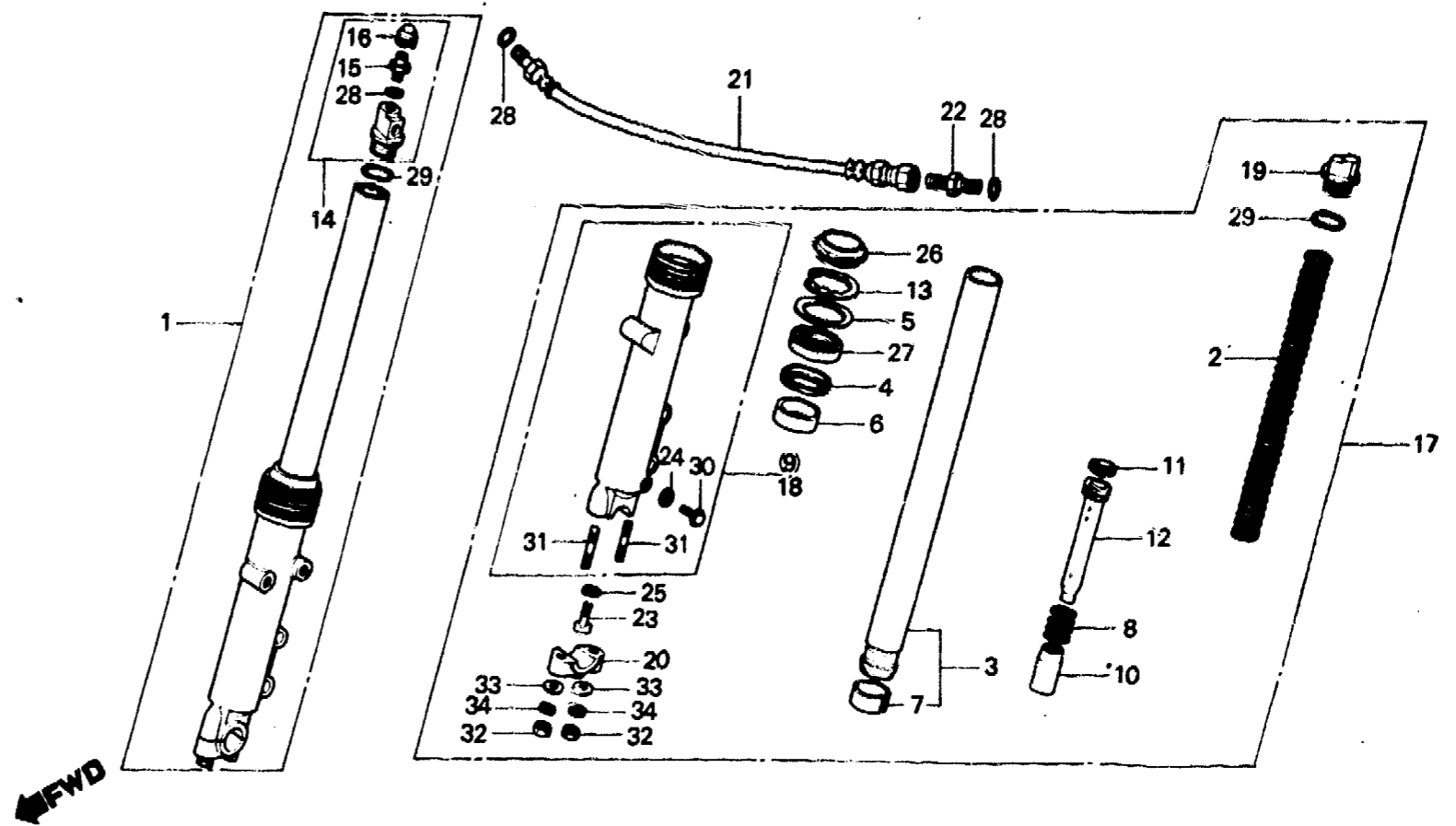
F-8-1

**Front fork
(CB750Fb·Fc·CM)**

**Fourche avant
(CB750Fb·Fc·CM)**

**Vordergabel
(CB750Fb·Fc·CM)**

**Horquilla delantero
(CB750Fb·Fc·CM)**



B445-30

Service item	F.R.T.	Ref. No.	Part No.	Description	Reqd. No.						Serial No.	Area code
					Fz	FA	Fb	Fc	F2c	Fd		
		15	51456-469-013	VALVE COMP., AIR (SHOWA)			1	1				CM
		16	51457-469-000	CAP ASSY., AIR VALVE			2	2				CM
		17	51500-445-631	FORK ASSY., L. FR. (SHOWA)			1	1				CM
		18	51521-445-631	CASE COMP., L. BOTTOM (SHOWA)			1	1				CM
		19	51555-461-003	BOLT, L. FR. FORK			1	1				CM
		20	51634-410-003	HOLDER, FR. FORK AXLE			2	2				CM
		21	53137-461-771	HOSE COMP., FR. FORK JOINT			1	1				CM
		22	53139-463-000	CONNECTOR			1	1				CM
		23	90116-283-010	BOLT, SOCKET, 8MM			2	2				CM
		24	90543-273-000	PACKING, FR. FORK DRAIN COCK			2	2				CM
		25	90544-283-000	WASHER, SPECIAL, 8MM			2	2				CM
		26	91254-461-003	DUST SEAL, FR. FORK			2	2				CM
			91254-461-004	DUST SEAL, FR. FORK			2	2				CM
		27	91255-461-003	OIL SEAL, 37X30X11			2	2				CM

1982.09.20

E

K3

K 4

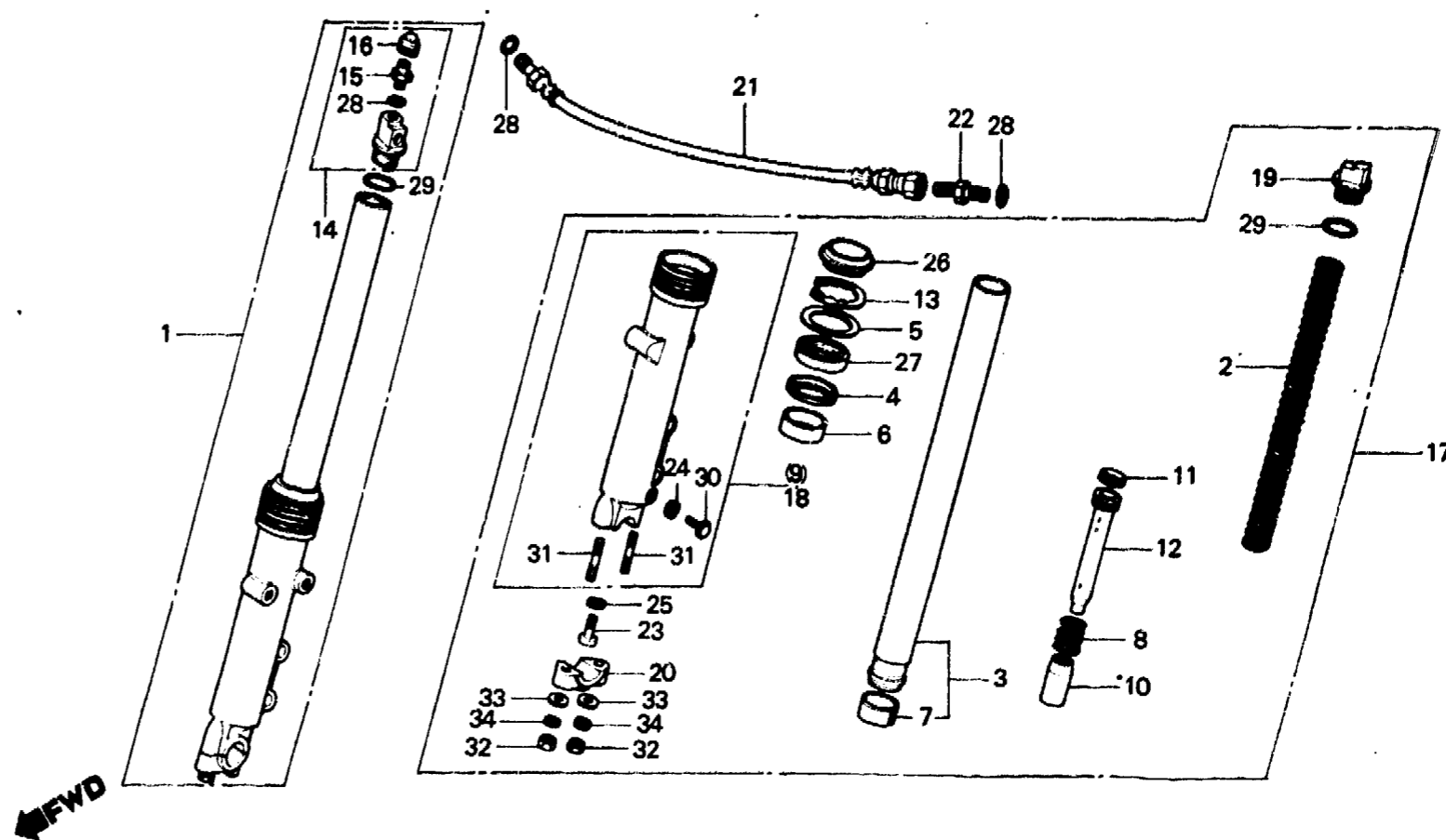
F-8-1

**Front fork
(CB750FB·Fc·CM)**

**Fourche avant
(CB750FB·Fc·CM)**

**Vordergabel
(CB750FB·Fc·CM)**

**Horquilla delantero
(CB750FB·Fc·CM)**



B445-30

Service item	F.R.T.	Ref. No.	Part No.	Description	Reqd. No. CB750							Serial No.	Area code
					Fz	FA	Fb	Fc	F2c	Fd	F2d		
			91255-461-004	OIL SEAL, 37X50X11			2	2					CM
		28	91301-469-003	O-RING, 5.8X1.9			3	3					CM
		29	91356-371-000	O-RING, 29X2.4			2	2					CM
		30	92000-06008	BOLT, HEX., 6X8			2	2					CM
		31	92700-08050-3B	BOLT, STUD, 8X50			4	4					CM
		32	94030-08000	NUT, HEX., 8MM			4	4					CM
		33	94101-08000	WASHER, PLAIN, 8MM			4	4					CM
		34	94111-08000	WASHER, SPRING, 8MM			4	4					CM



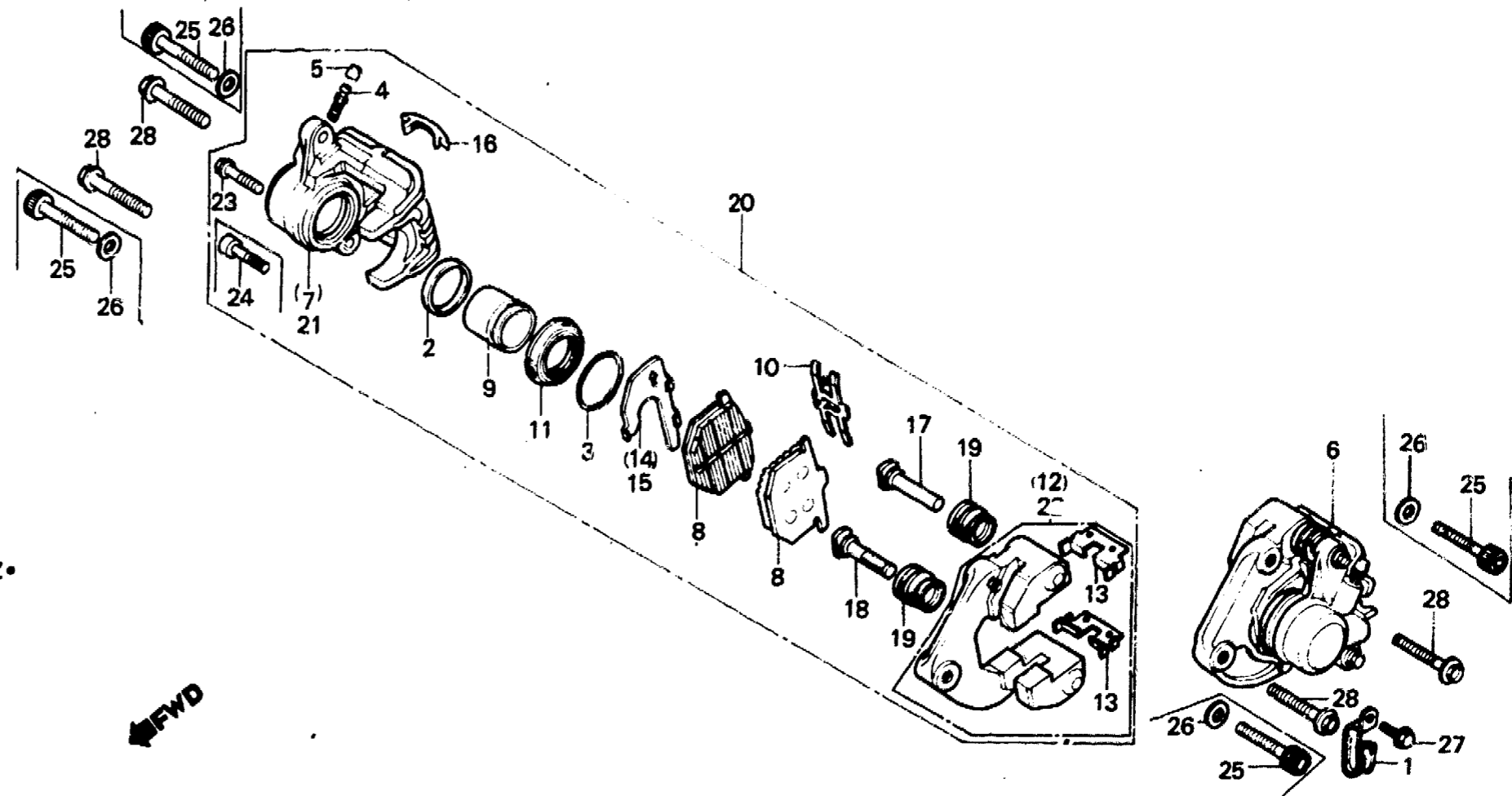
F-9

Front brake caliper (CB750Fz·
FA·FB-DK,DM,E,ED,F,G,SA,U)

Etrier de frein avant (CB750Fz·
FA·FB-DK,DM,E,ED,F,G,SA,U)

Vorderradbremssattel (CB750Fz·
FA·FB-DK,DM,E,ED,F,G,SA,U)

Calibrador de freno delantero
(CB750Fz·FA·FB-DK,DM,E,
ED,F,G,SA,U)



B445-21

Service item	F.R.T.	Ref. No.	Part No.	Description	Reqd. No. CB750						Serial No.	Area code
					Fz	FA	Fa	Fc	F2c	Fd		
CALIPER ASSY., FR. (ADD 0.1 FOR EACH.)	0.3	1	32906-049-000	CLIP, HIGH TENSION CORD	1	1						CM
CALIPER (ADD 0.2 FOR EACH.)	0.4	2	43209-371-006	SEAL, PISTON	2	2	1					DK,DM,E,ED,F,G SA,U
PISTON (INC. RELATIVE PART) (ADD 0.2 FOR EACH.)	0.1	3	43218-371-006	CLIP, DUST COVER	2	2	2					CM DK,DM,E,ED,F,G SA,U
PAD COMP. BRACKET, FR.	0.2	4	43352-568-003	SCREW, BLEEDER	2	2	2					CM DK,DM,E,ED,F,G SA,U
		5	43353-548-003	CAP, BLEED SCREW	2	2	2					CM DK,DM,E,ED,F,G SA,U
		6	45100-438-006	CALIPER ASSY., L. FR. (NISSHIN JB)	1							
			45100-438-007	CALIPER ASSY., L. FR. (NISSHIN ASK)	1							



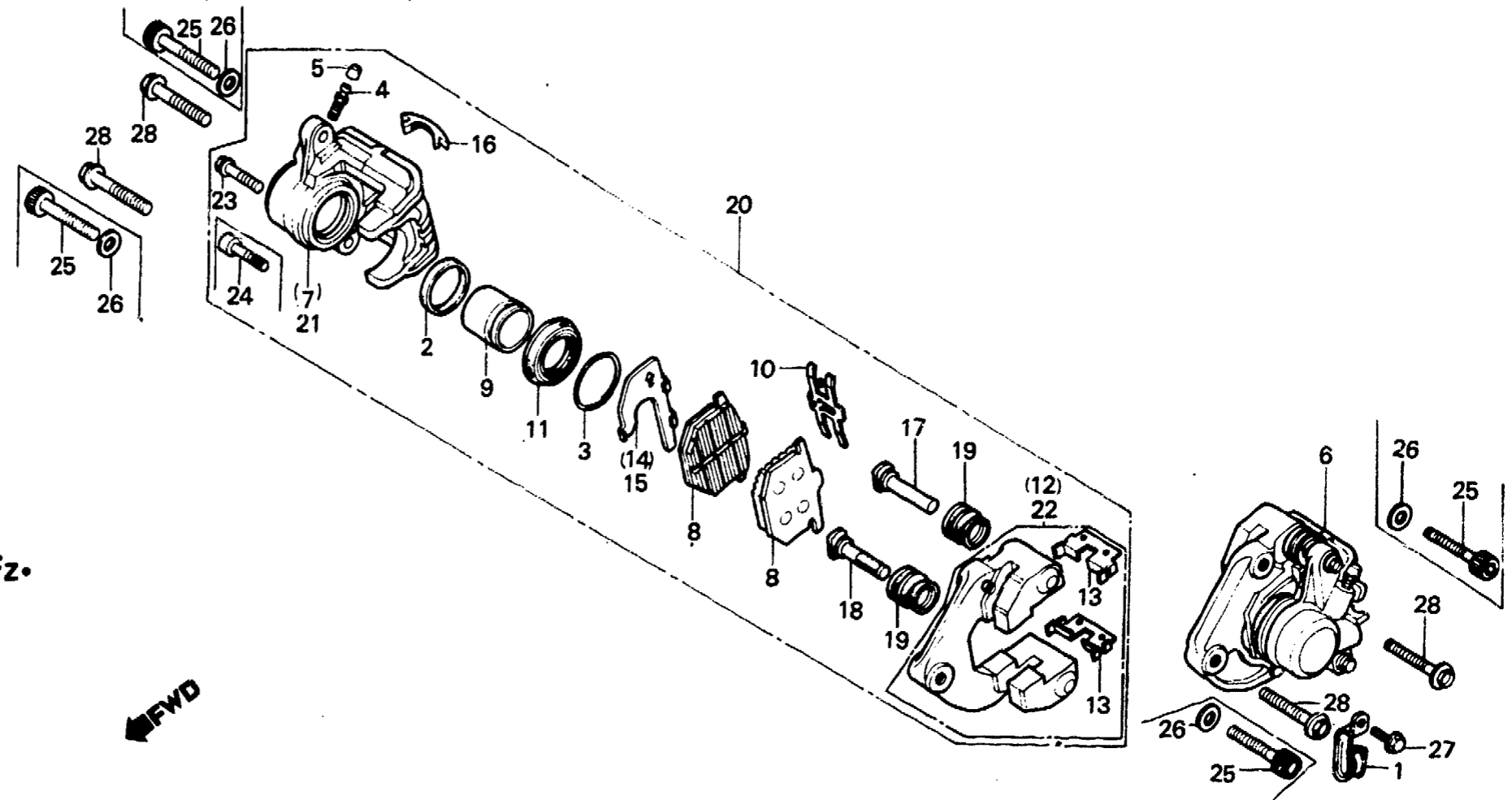
F-9

Front brake caliper (CB750Fz·
FA·FB-DK,DM,E,ED,F,G,SA,U)

Etrier de frein avant (CB750Fz·
FA·FB-DK,DM,E,ED,F,G,SA,U)

Vorderradbremssattel (CB750Fz·
FA·FB-DK,DM,E,ED,F,G,SA,U)

Calibrador de freno delantero
(CB750Fz·FA·FB-DK,DM,E,
ED,F,G,SA,U)



B445-21

Service item	F.R.T.	Ref. No.	Part No.	Description	Reqd. No. CB750						Serial No.	Area code
					Fz	FA	Fa	Fc	F2c	Fd		
			45100-445-771	CALIPER ASSY., L. FR. (NISSHIN JB)		1						
			45100-445-772	CALIPER ASSY., L. FR. (NISSHIN ASK)		1						CM,DK,DM,E,ED,F G,SA
			45100-445-861	CALIPER ASSY., L. FR. (NISSHIN JB)			1					DK,DM,E,ED,F,G SA
			45100-445-862	CALIPER ASSY., L. FR. (NISSHIN ASK)			1					DK,DM,E,ED,F,G SA,U
		7	45101-410-006	CALIPER, L. (NISSHIN)	1							
			45101-442-701	CALIPER, L.		1						CM
						1	1					DK,DM,E,ED,F,G SA,U
		8	45105-438-000	PAD COMP. 45105-438-004	4							
			45105-438-004	PAD COMP. (NISSHIN JB)	4	4						
			45105-438-007	PAD COMP. (NISSHIN ASK)	4	4						CM,DK,DM,E,ED,F G,SA
			45105-461-771	PAD COMP. (NISSHIN JB)			4					DK,DM,E,ED,F,G SA
			45105-461-772	PAD COMP. (NISSHIN ASK)			4					DK,DM,E,ED,F,G SA,U

K 7

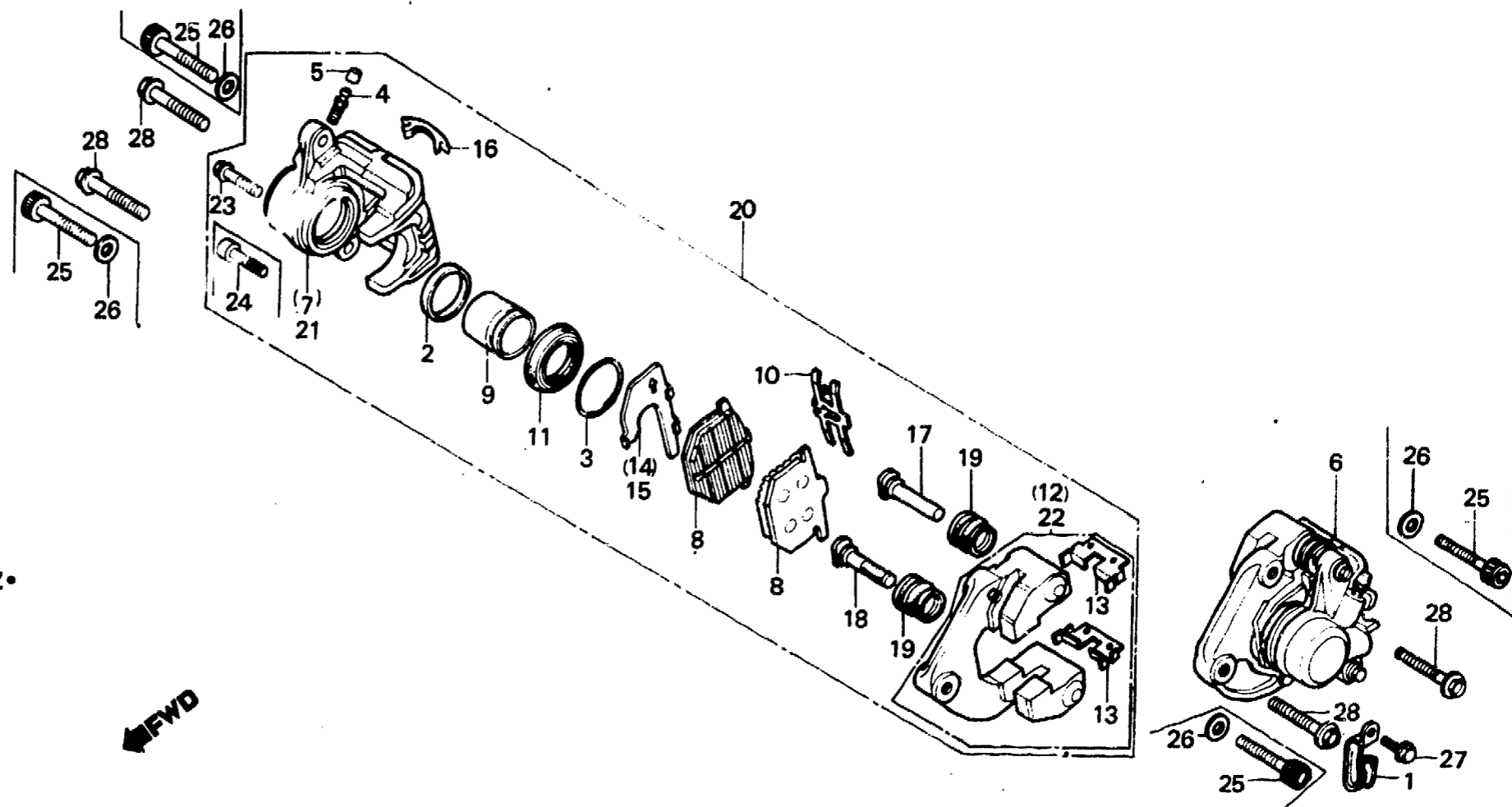
F-9

**Front brake caliper (CB750Fz-
FA·FB-DK,DM,E,ED,F,G,SA,U)**

**Etrier de frein avant (CB750Fz-
FA·FB-DK,DM,E,ED,F,G,SA,U)**

**Vorderradbremssattel (CB750Fz-
FA·FB-DK,DM,E,ED,F,G,SA,U)**

**Calibrador de freno delantero
(CB750Fz·FA·FB-DK,DM,E,
ED,F,G,SA,U)**



B445-21

Service item	F.R.T.	Ref. No.	Part No.	Description	Reqd. No. CB750							Serial No.	Area code
					Fz	FA	Fa	Fc	F2c	Fo	F2o		
		9	45107-410-006	PISTON (NISSHIN)	2	2							CM DK,DM,E,ED,F,G SA,U
		10	45108-410-006	SPRING, PAD (NISSHIN)	2	2	2						CM DK,DM,E,ED,F,G SA,U
		11	45109-371-006	BOOT, PISTON	2	2	2						CM DK,DM,E,ED,F,G SA,U
		12	45110-422-006 45110-422-016	BRACKET, L. FR. BRACKET, L. FR.	1	1		1					DK,DM,E,ED,F,G SA,U
		13	45112-410-006	RETAINER, FR. BRACKET	4	4	4						CM DK,DM,E,ED,F,G SA,U
		14	45114-371-006	SHIM A, PAD	1	1	1						CM DK,DM,E,ED,F,G SA,U



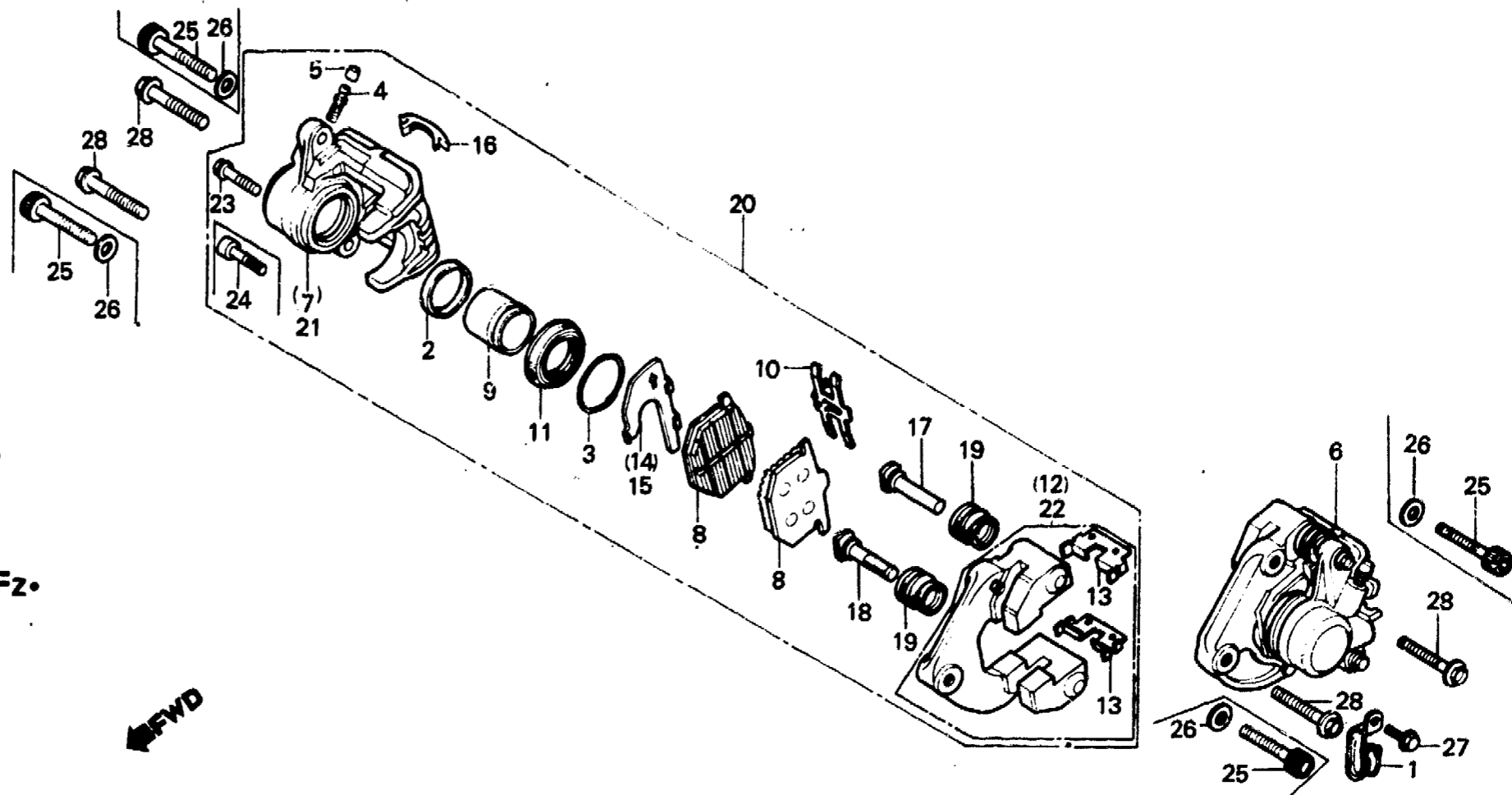
F-9

Front brake caliper (CB750Fz·FA·FB-DK,DM,E,ED,F,G,SA,U)

Etrier de frein avant (CB750Fz·FA·FB-DK,DM,E,ED,F,G,SA,U)

Vorderradbremssattel (CB750Fz·FA·FB-DK,DM,E,ED,F,G,SA,U)

Calibrador de freno delantero (CB750Fz·FA·FB-DK,DM,E,ED,F,G,SA,U)



B445-21

Service item	F.R.T.	Ref. No.	Part No.	Description	Reqd. No. CB750						Serial No.	Area code
					Fz	FA	Fa	Fc	F2c	Fp		
		15	45116-371-006	SHIM B, PAD	1	1						CM DK,DM,E,ED,F,G SA,U
		16	45119-371-000	CAP, INDICATOR	2	2						CM DK,DM,E,ED,F,G SA,U
		17	45131-410-006	PIN A (NISSHIN)	2	2						CM DK,DM,E,ED,F,G SA,U
		18	45132-410-006	PIN B (NISSHIN)	2	2						CM DK,DM,E,ED,F,G SA,U
		19	45133-371-006	COVER, DUST	4	4						CM DK,DM,E,ED,F,G SA,U
		20	45200-438-006	CALIPER ASSY., R. FR. (NISSHIN JB)	1							
			45200-438-007	CALIPER ASSY., R. FR. (NISSHIN ASK)	1							

K 9

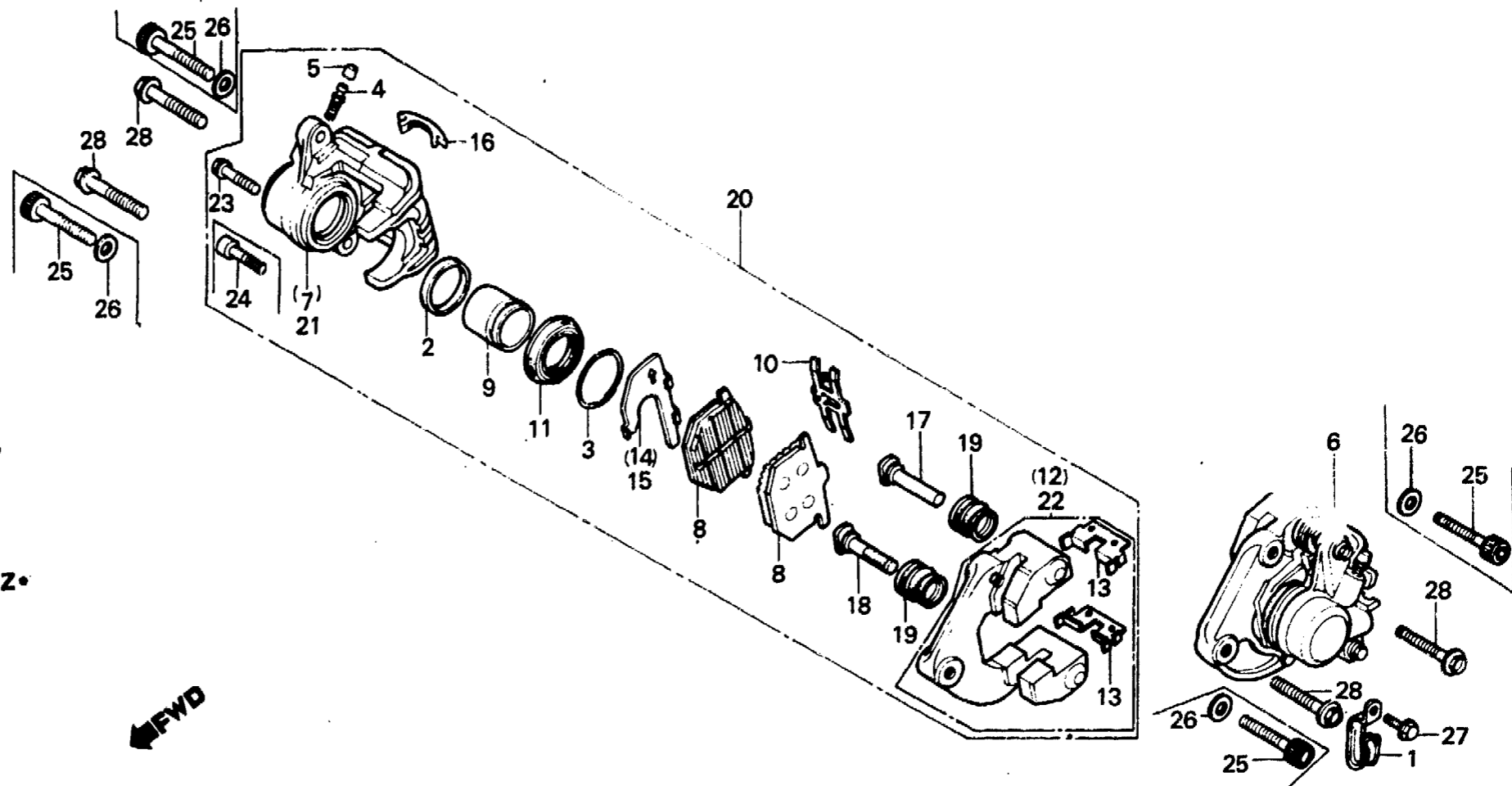
F-9

Front brake caliper (CB750Fz-FA-FB-DK,DM,E,ED,F,G,SA,U)

Etrier de frein avant (CB750Fz-FA-FB-DK,DM,E,ED,F,G,SA,U)

Vorderradbremssattel (CB750Fz-FA-FB-DK,DM,E,ED,F,G,SA,U)

Calibrador de freno delantero (CB750Fz-FA-FB-DK,DM,E,ED,F,G,SA,U)



B445-21

Service item	F.R.T.	Ref. No.	Part No.	Description	Reqd. No. CB750						Serial No.	Area code
					Fz	FA	Fb	Fc	F2c	Fd		
			45200-445-771	CALIPER ASSY., R. FR. (NISSHIN JB)		1						
			45200-445-772	CALIPER ASSY., R. FR. (NISSHIN ASK)		1						CM,DK,DM,E,ED,F,G,SA
			45200-445-861	CALIPER ASSY., R. FR. (NISSHIN JB)					1			DK,DM,E,ED,F,G,SA
			45200-445-862	CALIPER ASSY., R. FR. (NISSHIN ASK)					1			DK,DM,E,ED,F,G,SA,U
		21	45201-410-006	CALIPER, R. (NISSHIN)		1						CM
			45201-442-701	CALIPER, R.			1	1				DK,DM,E,ED,F,G,SA,U
		22	45210-422-006	BRACKET, R. FR.		1	1					DK,DM,E,ED,F,G,SA,U
			45210-422-016	BRACKET, R. FR.				1				DK,DM,E,ED,F,G,SA,U
		23	90116-410-006	BOLT, 8X25			4	4				CM,DK,DM,E,ED,F,G,SA,U
		24	90116-422-006	BOLT, SOCKET, 8X23			4					
		25	90164-422-000	BOLT, SOCKET, 10X32			4					

1982.09.20

E

K9

K 10

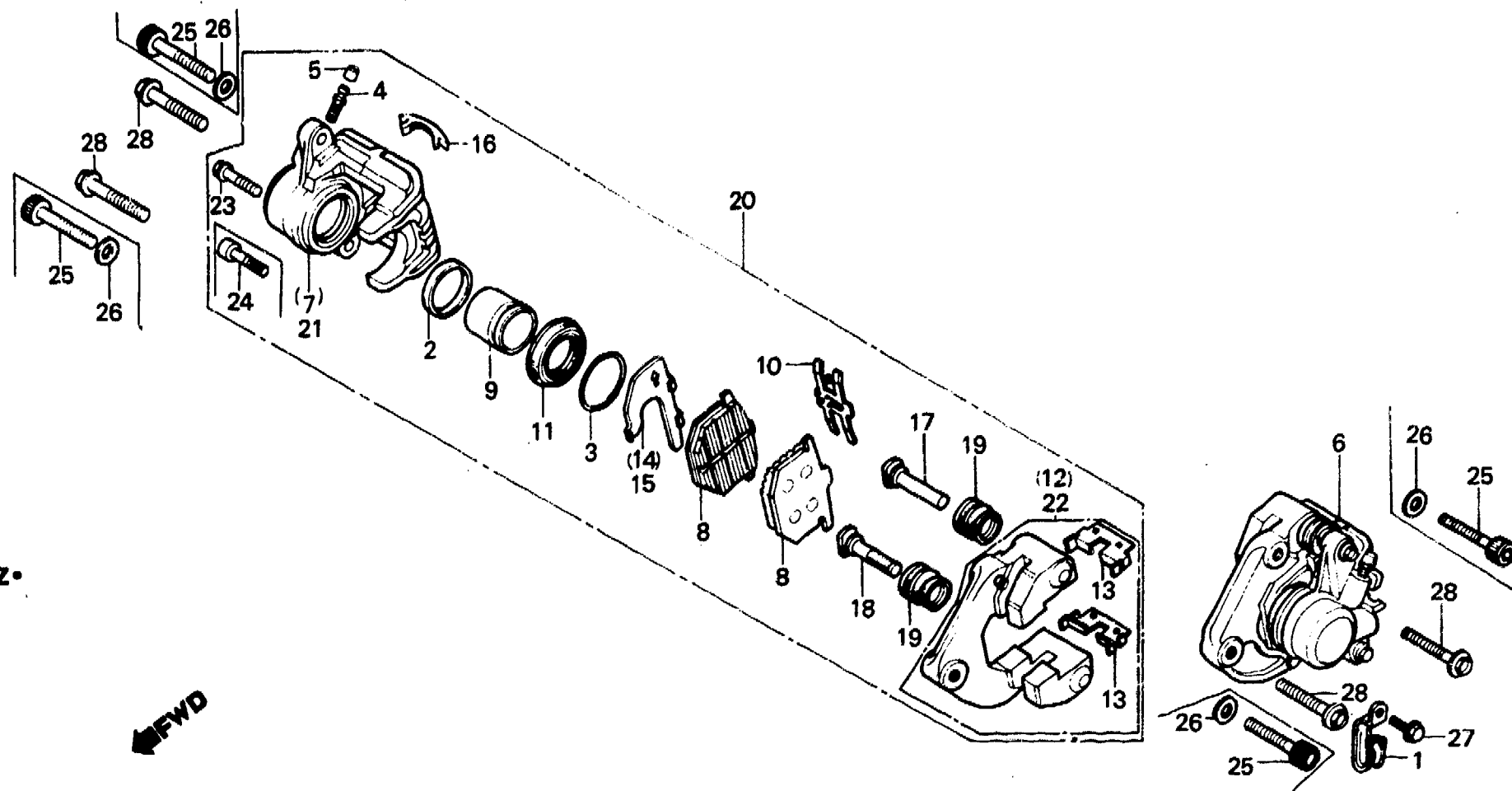
F-9

**Front brake caliper (CB750Fz-
FA·FB-DK,DM,E,ED,F,G,SA,U)**

**Etrier de frein avant (CB750Fz-
FA·FB-DK,DM,E,ED,F,G,SA,U)**

**Vorderradbremssattel (CB750Fz-
FA·FB-DK,DM,E,ED,F,G,SA,U)**

**Calibrador de freno delantero
(CB750Fz·FA·FB-DK,DM,E,
ED,F,G,SA,U)**



B445-21

Service item	F.R.T.	Ref. No.	Part No.	Description	Reqd. No. CB750						Serial No.	Area code
					Fz	FA	Fb	Fc	F2c	Fd		
		26	94102-10700	WASHER, PLAIN, 10MM	4							CM
		27	95700-06010-00	BOLT, FLANGE, 6X10	1	1						DK,DM,E,ED,F,G SA,U
		28	95800-10032-07	BOLT, FLANGE, 10X32		4						CM DK,DM,E,ED,F,G SA,U

1982.09.20

E

K10

K 11

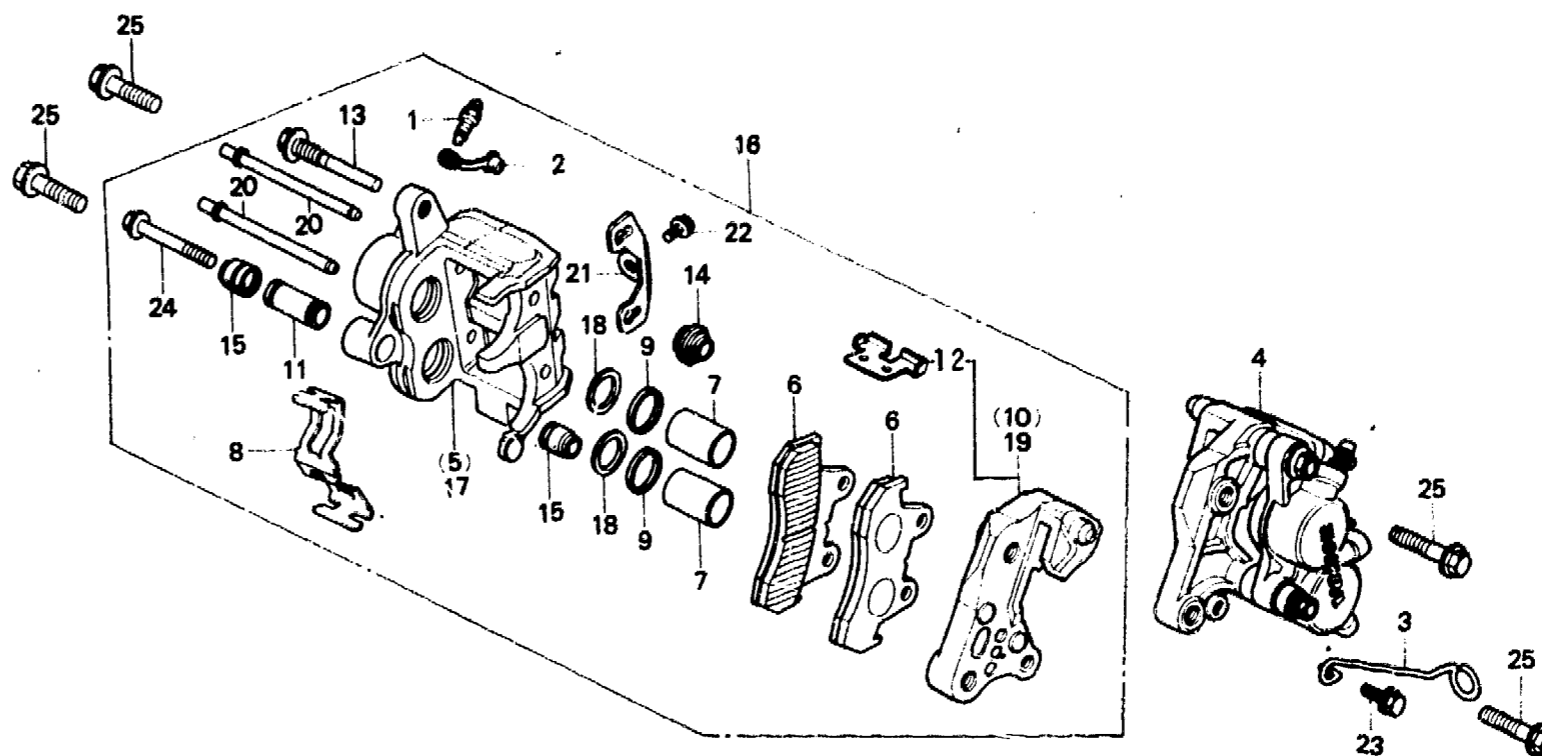
F-9-1

**Front brake caliper (CB750F_B-CM,
CB750F_c·F2_c·F_D·F2_D)**

**Etrier de frein avant (CB750F_B-CM,
CB750F_c·F2_c·F_D·F2_D)**

**Vorderradbremssattel (CB750F_B-CM,
CB750F_c·F2_c·F_D·F2_D)**

**Calibrador de freno delantero
(CB750F_B-CM, CB750F_c·F2_c·F_D·F2_D)**



B445-31A

Service item	F.R.T.	Ref. No.	Part No.	Description	Reqd. No. CB750						Serial No.	Area code
					Fz	FA	F _B	F _c	F2 _c	F _D		
CALIPER ASSY., FR. (ADD 0.1 FOR EACH.)	0.3	1	43352-568-003	SCREW, BLEEDER			2	2				CM DK,DM,E,ED,F,G SA,U,IT
PISTON (ADD 0.1 FOR EACH.)		2	43353-461-771	CAP, BLEEDER			2	2	2	2		CM DK,DM,E,ED,F,G SA,U,IT
CALIPER COMP. (ADD 0.3 FOR EACH.)	0.5	3	44832-MA3-000	CLAMP, SPEEDOMETER CABLE			1	1	1	1		CM DK,DM,E,ED,F,G SA,U,IT
PAD COMP.	0.1	4	45100-445-631	CALIPER ASSY., L. FR.			1	1				CM
BRACKET COMP.	0.2		45100-445-632	CALIPER ASSY., L. FR.			1	1				CM
SEAL, PISTON (ADD 0.1 FOR EACH.)	0.4		45100-445-633	CALIPER ASSY., L. FR. (NISSHIN JB)			1	1	1	1		DK,DM,E,ED,F,G SA,U,IT
			45100-445-634	CALIPER ASSY., L. FR. (NISSHIN ASK)			1	1	1	1		DK,DM,E,ED,F,G SA,U,IT
		5	45101-MA3-006	CALIPER COMP., L.			1	1	1	1		CM DK,DM,E,ED,F,G SA,U,IT

1982.09.20

E

K11

K 12

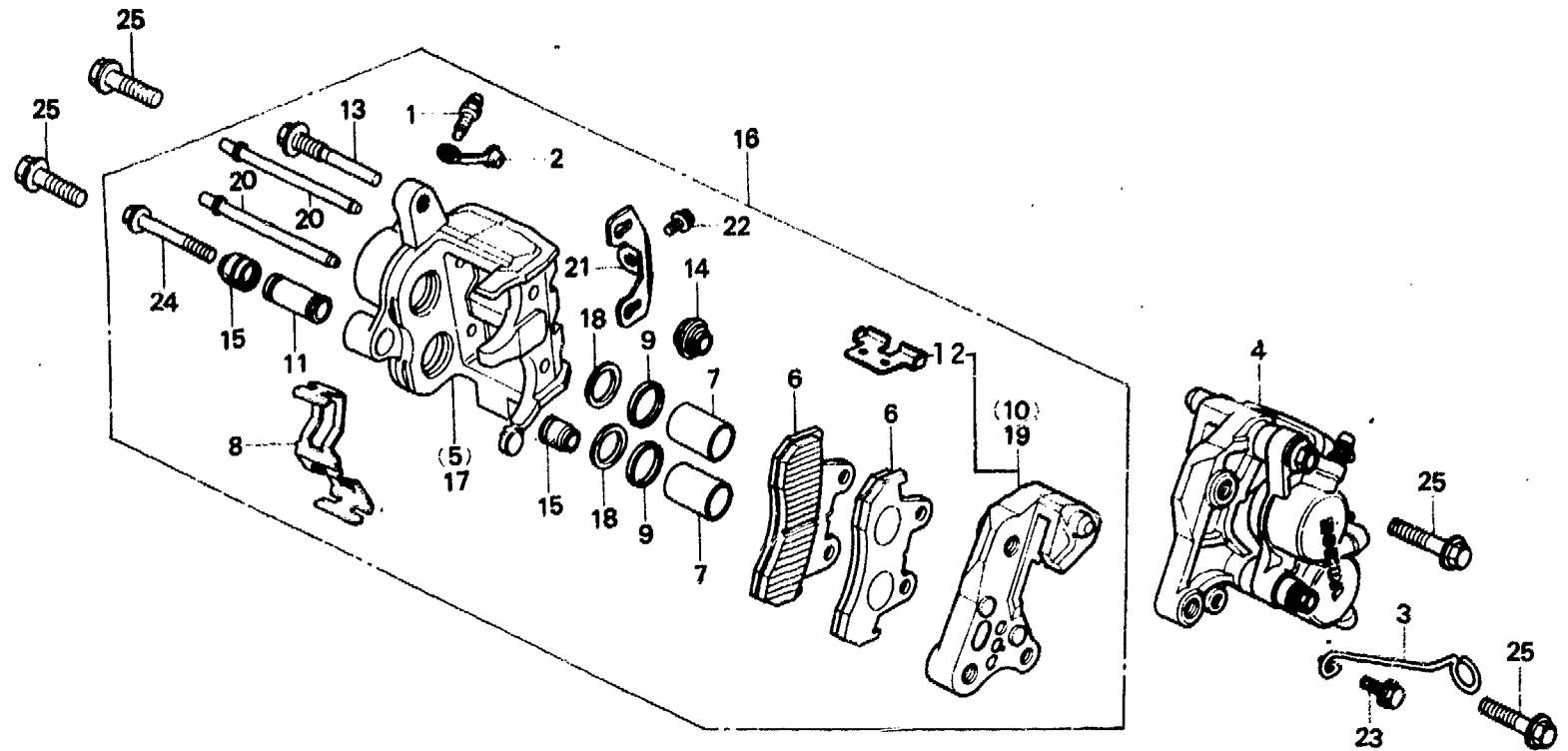
F-9-1

**Front brake caliper (CB750F_B-CM,
CB750F_C·F2_C·F_D·F2_D)**

**Etrier de frein avant (CB750F_B-CM,
CB750F_C·F2_C·F_D·F2_D)**

**Vorderradbremssattel (CB750F_B-CM,
CB750F_C·F2_C·F_D·F2_D)**

**Calibrador de freno delantero
(CB750F_B-CM, CB750F_C·F2_C·F_D·F2_D)**



B445-31A

Service item	F.R.T.	Ref. No.	Part No.	Description	Reqd. No. CB750								Serial No.	Area code
					Fz	FA	Fb	Fc	F2c	Fd	F2d			
		6	45105-443-761	PAD COMP. (NISSHIN JB)			4	4						CM DK,DM,E,ED,F,G SA,U,IT
			45105-443-762	PAD COMP. (NISSHIN ASK)			4	4						CM DK,DM,E,ED,F,G SA,U,IT
		7	45107-MA3-006	PISTON			4	4		4	4			CM DK,DM,E,ED,F,G SA,U,IT
		8	45108-MA3-006	SPRING, PAD			2	2		2	2	2		CM DK,DM,E,ED,F,G SA,U,IT
		9	45109-166-006	DUST SEAL			4	4		4	4	4		CM DK,DM,E,ED,F,G SA,U,IT
		10	45110-445-631 45110-445-632	BRACKET, L. BRACKET COMP., L.			1	1		1	1	1		CM DK,DM,E,ED,F,G SA,U,IT

1982.09.20

E

K12

K 13

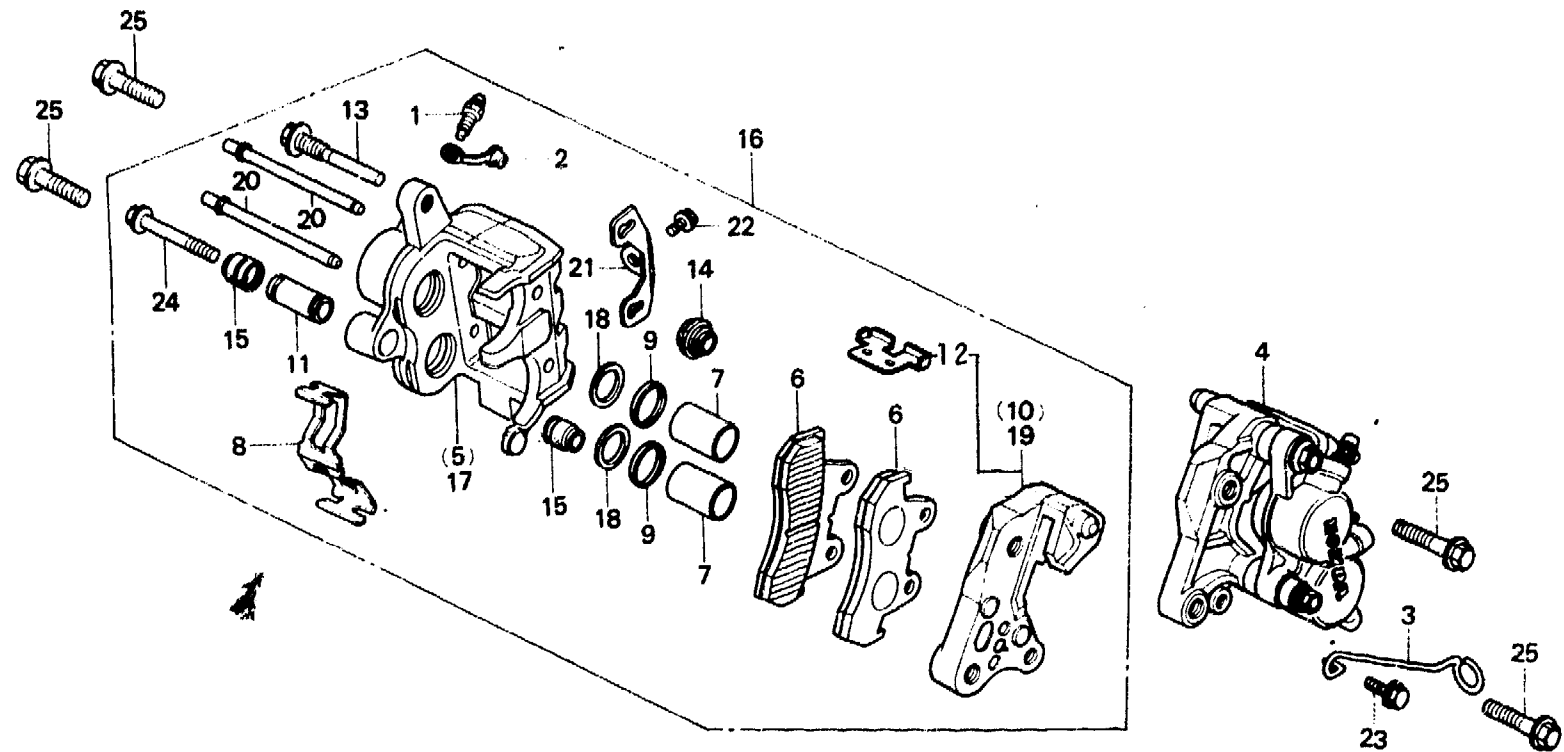
F-9-1

**Front brake caliper (CB750FB-CM,
CB750Fc·F2c·Fd·F2d)**

**Etrier de frein avant (CB750FB-CM,
CB750Fc·F2c·Fd·F2d)**

**Vorderradbremssattel (CB750FB-CM,
CB750Fc·F2c·Fd·F2d)**

**Calibrador de freno delantero
(CB750FB-CM, CB750Fc·F2c·Fd·F2d)**



B445-31A

Service item	F.R.T.	Ref. No.	Part No.	Description	Reqd. No.					Serial No.	Area code	
					Fz	FA	CB750 Fb	Fc	F2c			Fd
		11	45111-MA3-006	SLEEVE			2	2				CM DK,DM,E,ED,F,G SA,U,IT
		12	45112-445-631	RETAINER, BRACKET				2	2	2	2	CM DK,DM,E,ED,F,G SA,U,IT
		13	45131-MA3-006	BOLT, PIN			2	2	2	2		CM DK,DM,E,ED,F,G SA,U,IT
		14	45133-MA3-006	BOOT B			2	2	2	2	2	CM DK,DM,E,ED,F,G SA,U,IT
		15	45133-166-016	BOOT, PIN			4	4	4	4	4	CM DK,DM,E,ED,F,G SA,U,IT
		16	45200-445-631	CALIPER ASSY., R. FR. (NISSHIN JB)			1	1				CM
			45200-445-632	CALIPER ASSY., R. FR. (NISSHIN ASK)			1	1				CM
			45200-445-633	CALIPER ASSY., R. FR. (NISSHIN JB)				1	1	1	1	DK,DM,E,ED,F,G SA,U,IT

1982.09.20

E

K13