

**2-D12**

**F-21-1**

**Step**

(CB750FA·FB·FC·F2C·FD·F2D·DK,DM,E,ED,F,G,IT,SA,U)

**Repose pieds**

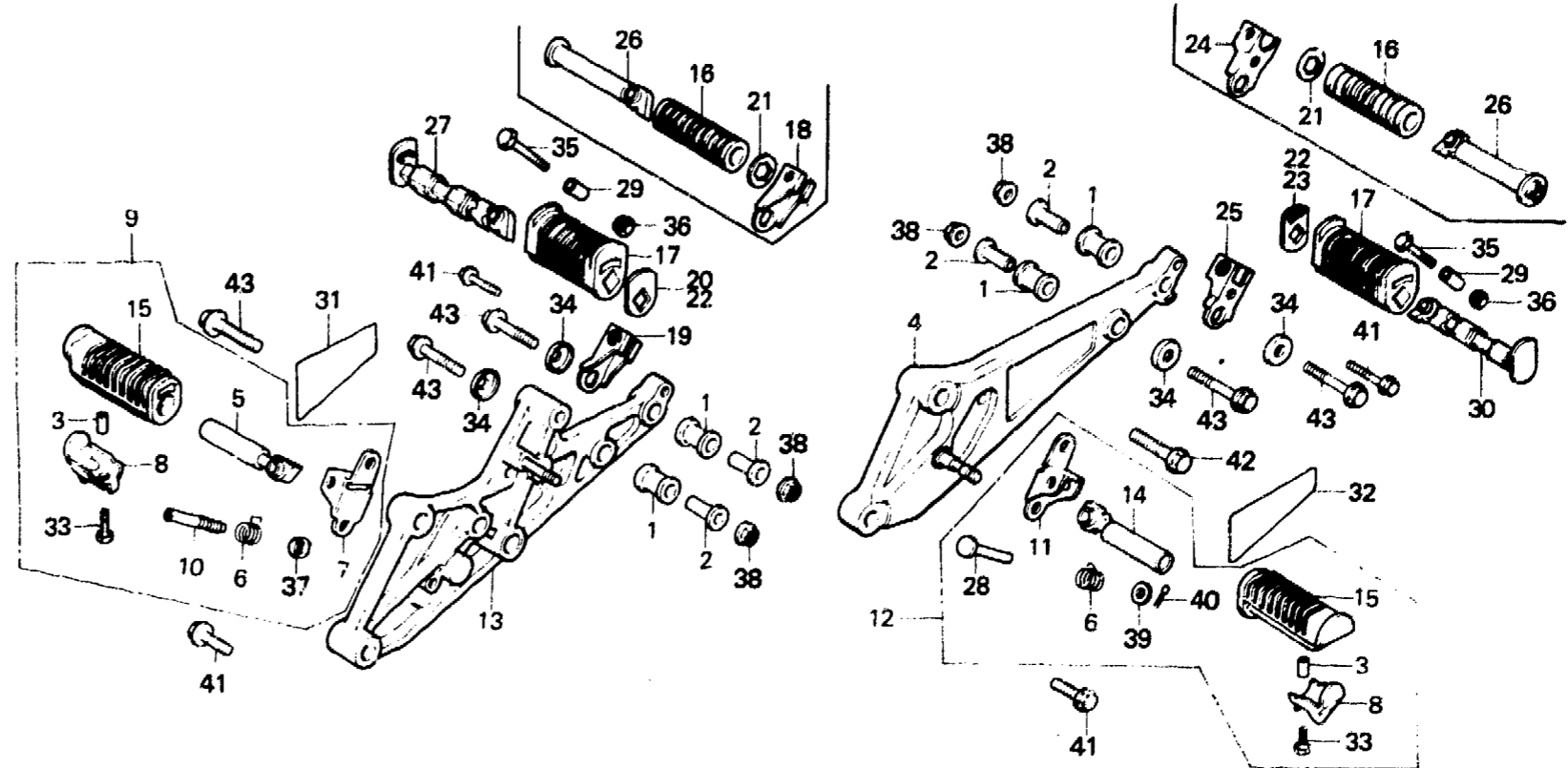
(CB750FA·FB·FC·F2C·FD·F2D·DK,DM,F,ED,F,G,IT,SA,U)

**Tritt**

(CB750FA·FB·FC·F2C·FD·F2D·DK,DM,E,ED,F,G,IT,SA,U)

**Estribo**

(CB750FA·FB·FC·F2C·FD·F2D·DK,DM,E,ED,F,G,IT,SA,U)



B438-30B

Service item	F.R.T.	Ref. No.	Part No.	Description	Reqd. No. CB750						Serial No.	Area code
					Fz	FA	Fb	Fc	F2c	Fd		
		27	50715-438-010	BAR, R. PILLION STEP	1						2121301	DK,DM,E,ED,F,G SA,U
		28	50716-438-000	PIN, STEP BAR JOINT	1	1	1	1	1	1		DK,DM,E,ED,F,G SA,U,IT
		29	50717-438-000	COLLAR, PILLION STEP PIVOT	2	2	2	2	2	2		DK,DM,E,ED,F,G SA,U,IT
		30	50718-438-000	BAR, L. PILLION STEP	1						2121301	DK,DM,E,ED,F,G SA,U
						1	1	1	1	1		DK,DM,E,ED,F,G SA,U,IT
		31	87504-438-610	MARK, MUFFLER CAUTION	1	1	1	1				DK,DM,E,ED,G,SA J
			87504-438-620	MARK, MUFFLER CAUTION (FRENCH)	1	1	1	1				F
			87504-436-670	MARK, MUFFLER CAUTION					1	1		
		32	87507-MB2-610	MARK, CHAIN CAUTION					1	1		

2-D13

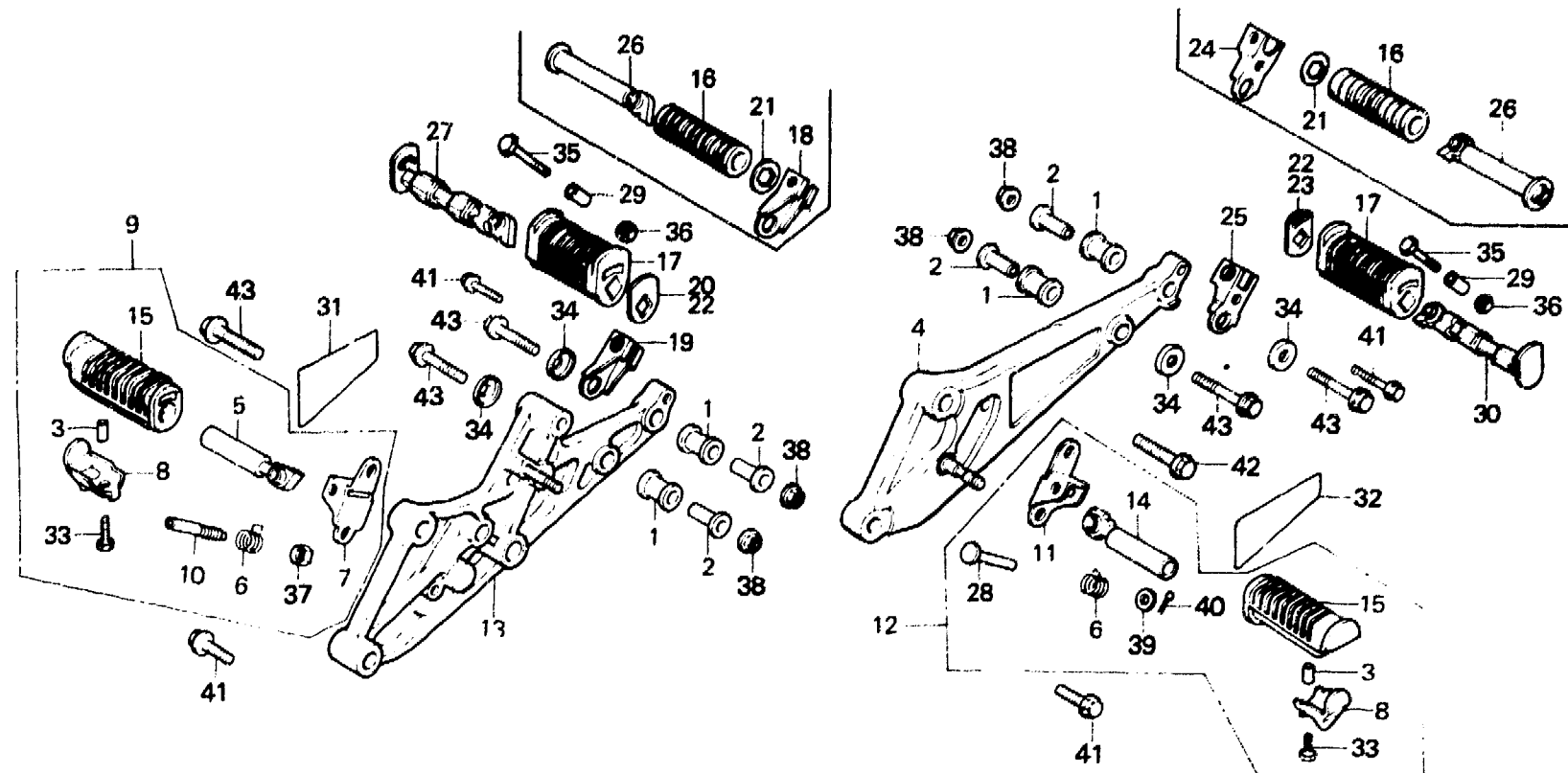
F-21-1

**Step**  
(CB750FA•FB•FC•F2C•FD•F2D-  
DK,DM,E,ED,F,G,IT,SA,U)

**Repose piers**  
(CB750FA•FB•FC•F2C•FD•F2D-  
DK,DM,E,ED,F,G,IT,SA,U)

**Tritt**  
(CB750FA•FB•FC•F2C•FD•F2D-  
DK,DM,E,ED,F,G,IT,SA,U)

**Estribo**  
(CB750FA•FB•FC•F2C•FD•F2D-  
DK,DM,E,ED,F,G,IT,SA,U)



B438-30B

Service item	F.R.T.	Ref. No.	Part No.	Description	Reqd. No. CB750							Serial No.	Area code
					Fz	FA	Fb	Fc	F2c	Fd	F2d		
			87507-445-610	MARK, DRIVE CHAIN CAUTION	1	1	1	1				DK,DM,E,ED,G,SA U	
			87507-445-620	MARK, DRIVE CHAIN CAUTION (FRENCH)	1	1	1	1				U F	
		33	90104-430-000	BOLT, FR. BOTTOM CASE	2	2	2	2	2	2		DK,DM,E,ED,F,G SA,U,IT	
		34	90557-438-000	WASHER, SPECIAL, 10MM	4	4	4	4	4	4		DK,DM,E,ED,F,G SA,U,IT	
		35	92200-06035	BOLT, HEX., 6X35	2	2	2	2	2	2		DK,DM,E,ED,F,G SA,U,IT	
		36	94001-06000	NUT, HEX., 6MM	2	2	2	2	2	2		DK,DM,E,ED,F,G SA,U,IT	
		37	94002-08000-05	NUT, HEX., 8MM	1	1	1	1	1	1		DK,DM,E,ED,F,G SA,U,IT	
		38	94050-10000	NUT, FLANGE, 10MM	4	4	4	4	4	4		DK,DM,E,ED,F,G SA,U,IT	
		39	94101-08000	WASHER, PLAIN, 8MM	1	1	1	1	1	1		DK,DM,E,ED,F,G SA,U,IT	
		40	94201-16150	PIN, SPLIT, 1.6X15	1	1	1	1	1	1		DK,DM,E,ED,F,G SA,U,IT	

2-D14

F-21-1

Step

(CB750FA•FB•FC•F2C•FD•F2D-DK,DM,E,ED,F,G,IT,SA,U)

Repose pieds

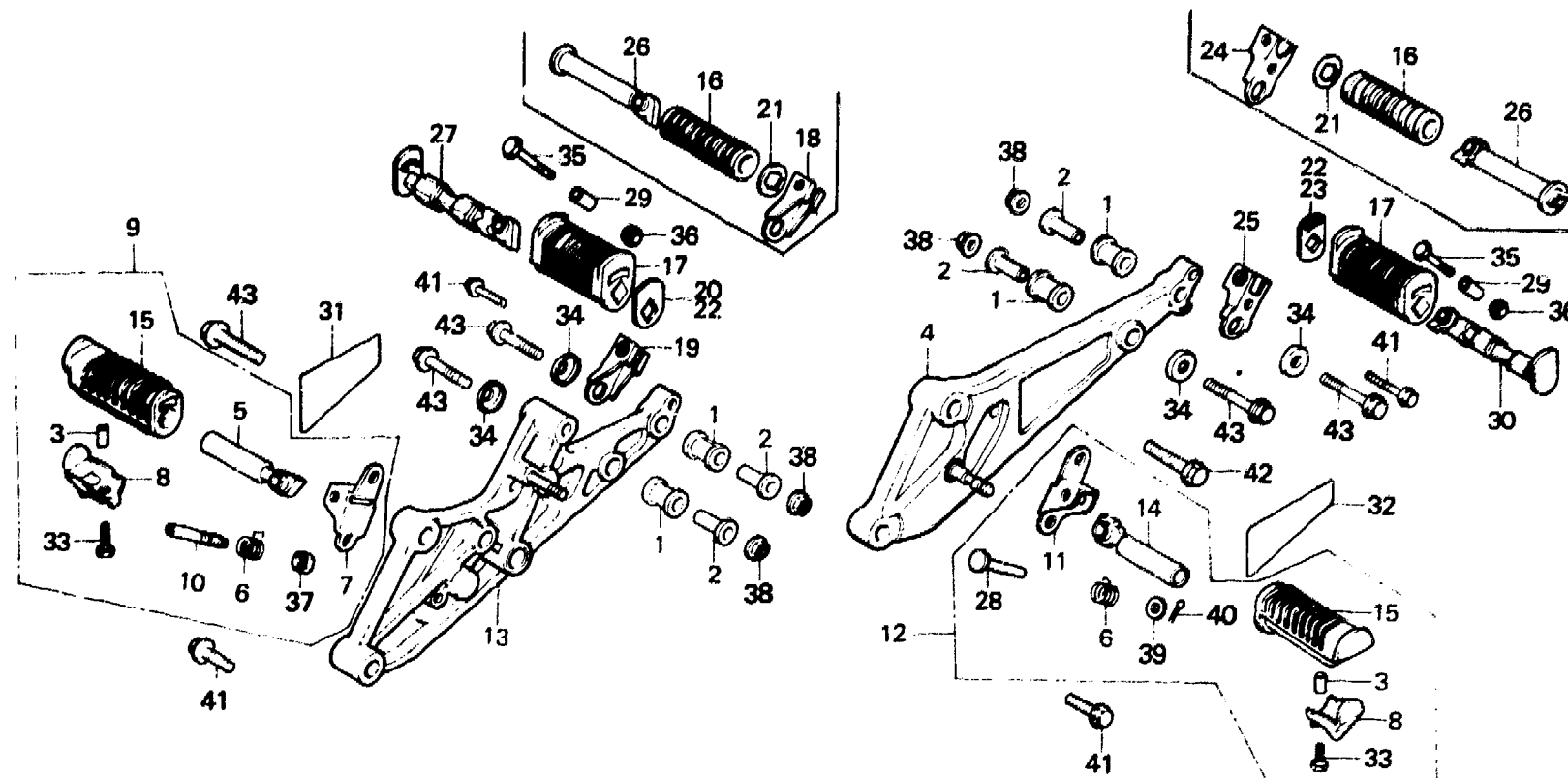
(CB750FA•FB•FC•F2C•FD•F2D-DK,DM,E,ED,F,G,IT,SA,U)

Tritt

(CB750FA•FB•FC•F2C•FD•F2D-DK,DM,E,ED,F,G,IT,SA,U)

Estribo

(CB750FA•FB•FC•F2C•FD•F2D-DK,DM,E,ED,F,G,IT,SA,U)



B438-30B

Service item	F.R.T.	Ref. No.	Part No.	Description	Reqd. No. CB750						Serial No.	Area code
					Fz	FA	Fb	Fc	F2c	Fd		
		41	95700-08025-00	BOLT, FLANGE, 8X25	4	4	4	4	4	4		DK,DM,E,ED,F,G SA,U,IT
		42	95700-10040-00	BOLT, FLANGE, 10X40	1	1	1	1	1	1		DK,DM,E,ED,F,G SA,U,IT
		43	95700-10050-00	BOLT, FLANGE, 10X50	5	5	5	5	5	5		DK,DM,E,ED,F,G SA,U,IT

1982.09.20

E

2-D14

**2-D15**

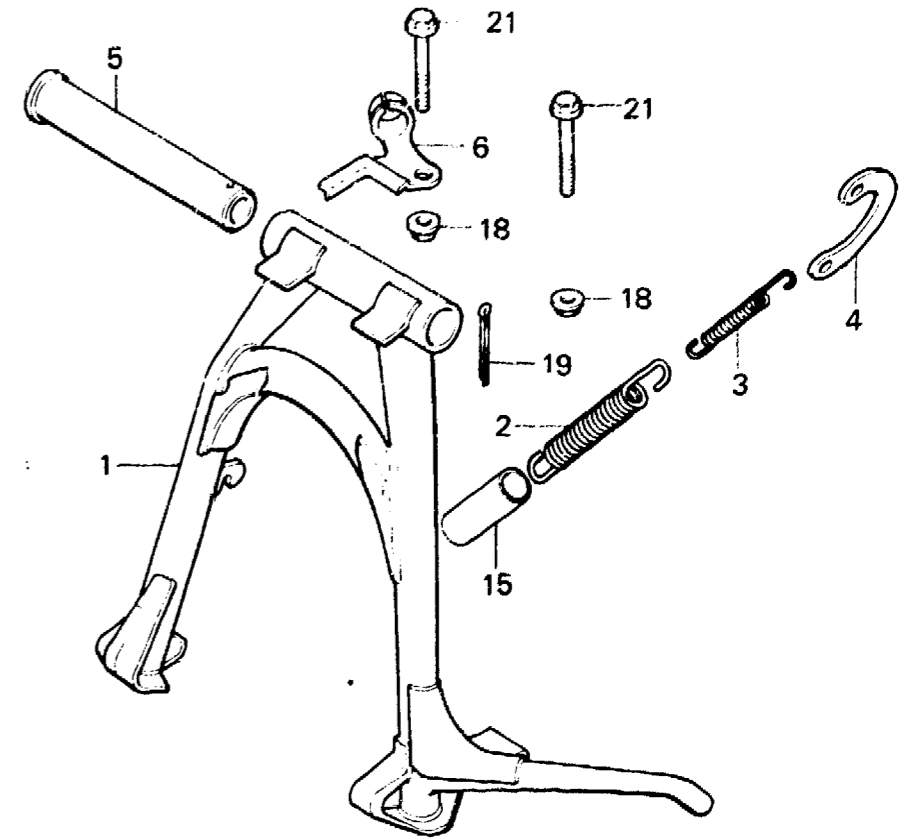
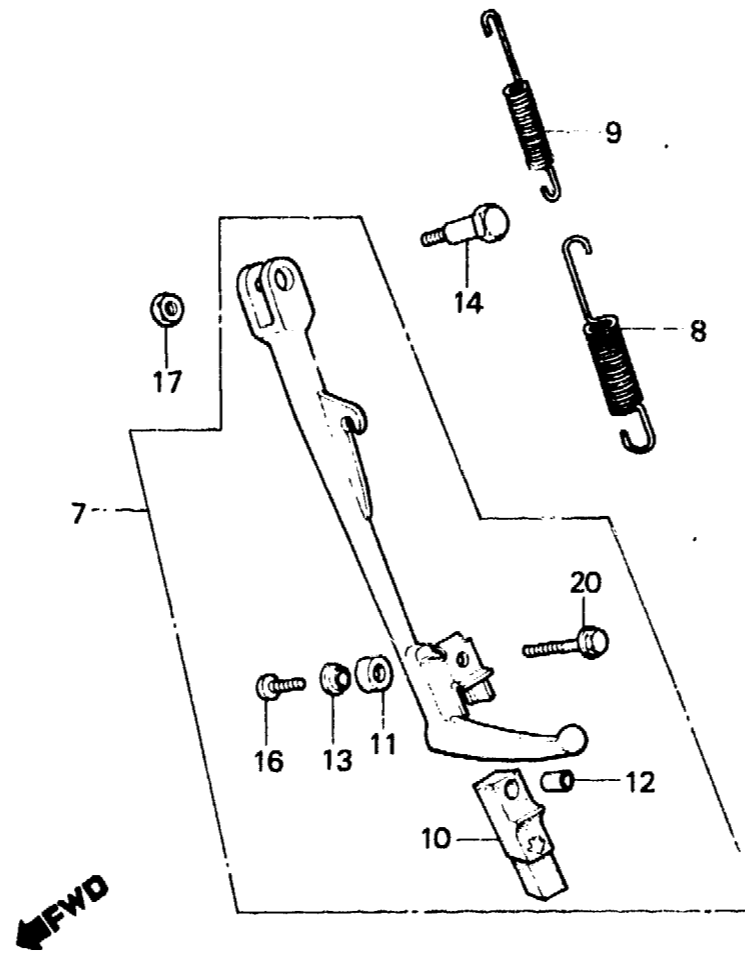
**F-22**

**Stand**

**Bequille**

**Ständer**

**Estante**



B431-31

Service item	F.R.T.	Ref. No.	Part No.	Description	Reqd. No. CB750							Serial No.	Area code
					Fz	Fa	Fb	Fc	F2c	Fd	F2d		
STAND COMP., MAIN	0.5	1	50500-438-000	STAND COMP., MAIN	1	1							
SPRING, MAIN STAND	0.2		50500-438-020	STAND COMP., MAIN			1	1	1	1	1		
PLATE, MAIN STAND SPRING		2	50510-413-610	SPRING, MAIN STAND		1	1	1	1				G
BAR ASSY., SIDE STAND			95014-71702	SPRING G, MAIN STAND	1	1	1	1	1	1	1		CM,DK,DM,E,ED,F
SPRING, SIDE STAND	0.1												SA,U,IT
RUBBER, SIDE STAND													G
		3	50521-425-610	SUB SPRING, MAIN STAND		1	1	1	1				
		4	50523-425-000	PLATE, MAIN STAND SPRING	1	1	1	1	1	1	1		
		5	50526-300-000	PIPE, MAIN STAND PIVOT	1	1	1	1	1	1	1		
		6	50527-425-000	GUIDE, DRAIN TUBE	1	1	1	1	1	1	1		
		7	50540-438-000	BAR ASSY., SIDE STAND	1								
			50540-438-010	BAR ASSY., SIDE STAND		1						2109531	2109530
		8	50541-445-010	SPRING, SIDE STAND	1	1	1	1	1	1	1		
			50543-438-000	SPRING, SIDE STAND			1	1	1	1			CM
													DK,DM,E,ED,F,SA
													U,IT
													G

1982.09.20

E

2-D15

**2-D16**

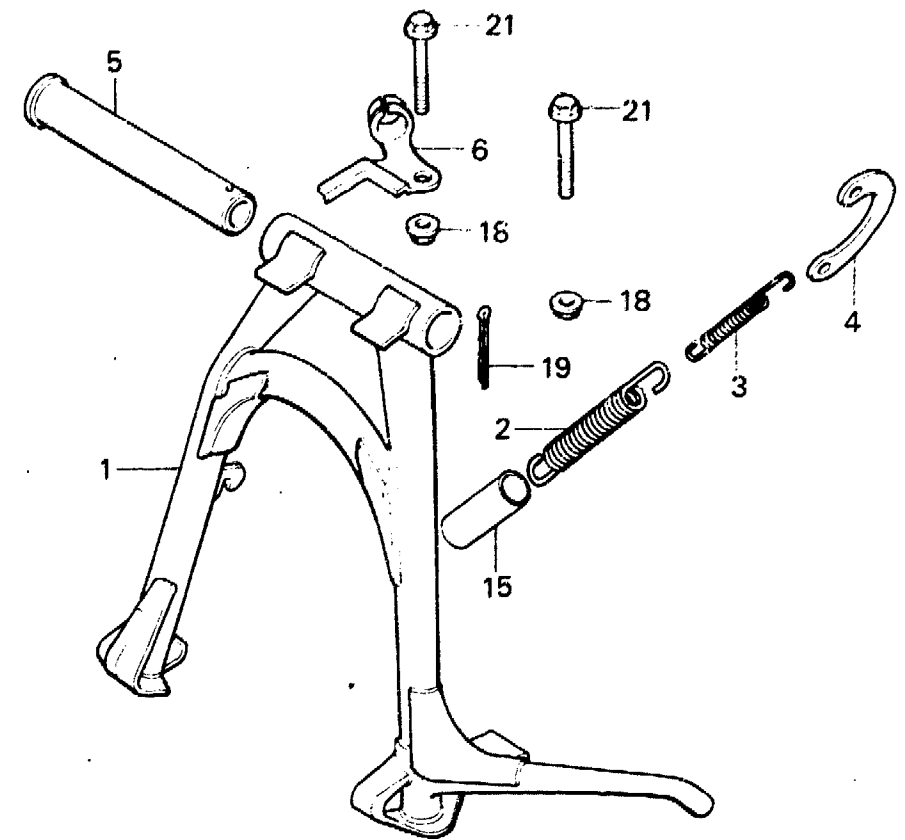
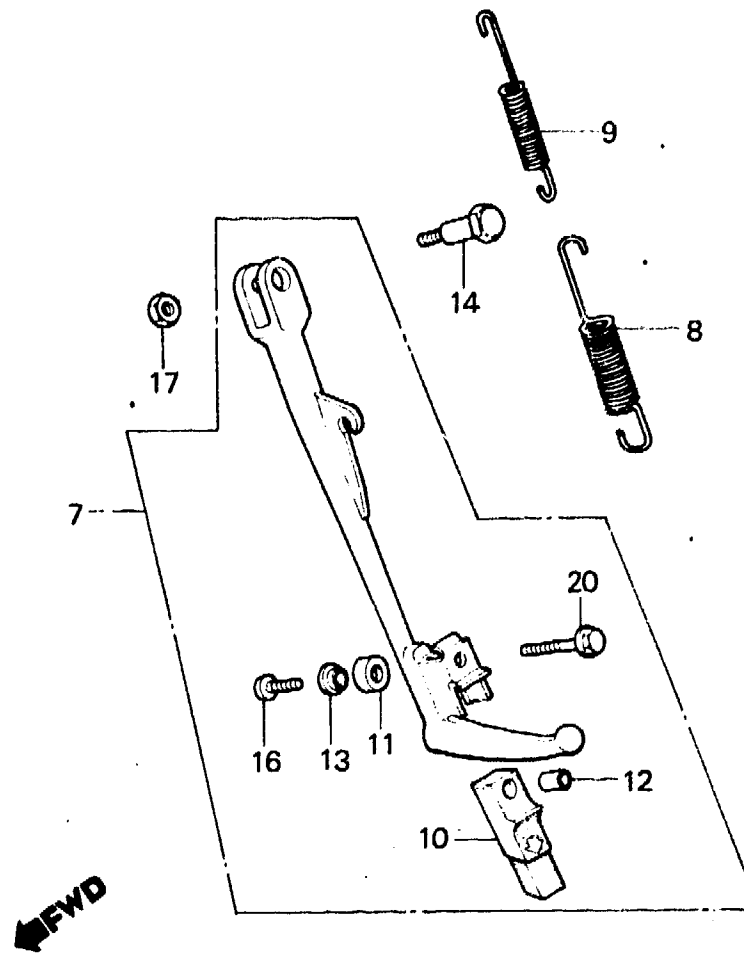
**F-22**

**Stand**

**Bequille**

**Ständer**

**Estante**



B431-31

Service item	F.R.T.	Ref. No.	Part No.	Description	Reqd. No. CB750							Serial No.	Area code
					Fz	FA	Fb	Fc	F2c	Fd	F2d		
		9	50542-438-000	SUB SPRING, SIDE STAND		1	1	1	1				G
		10	50548-356-700	RUBBER, STAND	1	1	1	1	1	1	1		
		11	50548-438-000	RUBBER, SIDE STAND	1	1	1	1	1	1	1		
		12	50549-356-700	COLLAR, STAND RUBBER SETTING	1	1	1	1	1	1	1		
		13	50549-438-000	COLLAR, RUBBER SETTING	1	1	1	1	1	1	1		
		14	90108-223-000	SCREW, SIDE STAND PIVOT	1	1	1	1	1	1	1		
		15	90125-410-000	COVER, MAIN STAND SPRING	1	1	1	1	1	1	1	CM,DK,DM,E,ED,F SA,U,IT	
		16	93500-06010	SCREW, PAN, 6X10	1	1	1	1	1	1	1		
		17	94031-10000	NUT, HEX., 10MM	1	1	1	1	1	1	1		
		18	94050-08000	NUT, FLANGE, 8MM	2	2	2	2	2	2	2		
		19	94201-25250	PIN, SPLIT, 2.5X25	1	1	1	1	1	1	1		
		20	95700-06025-07	BOLT, FLANGE, 6X25	1	1	1	1	1	1	1		
		21	95700-08040-00	BOLT, FLANGE, 8X40	2	2	2	2	2	2	2		

1982.09.20

E

2-D16

2-E1

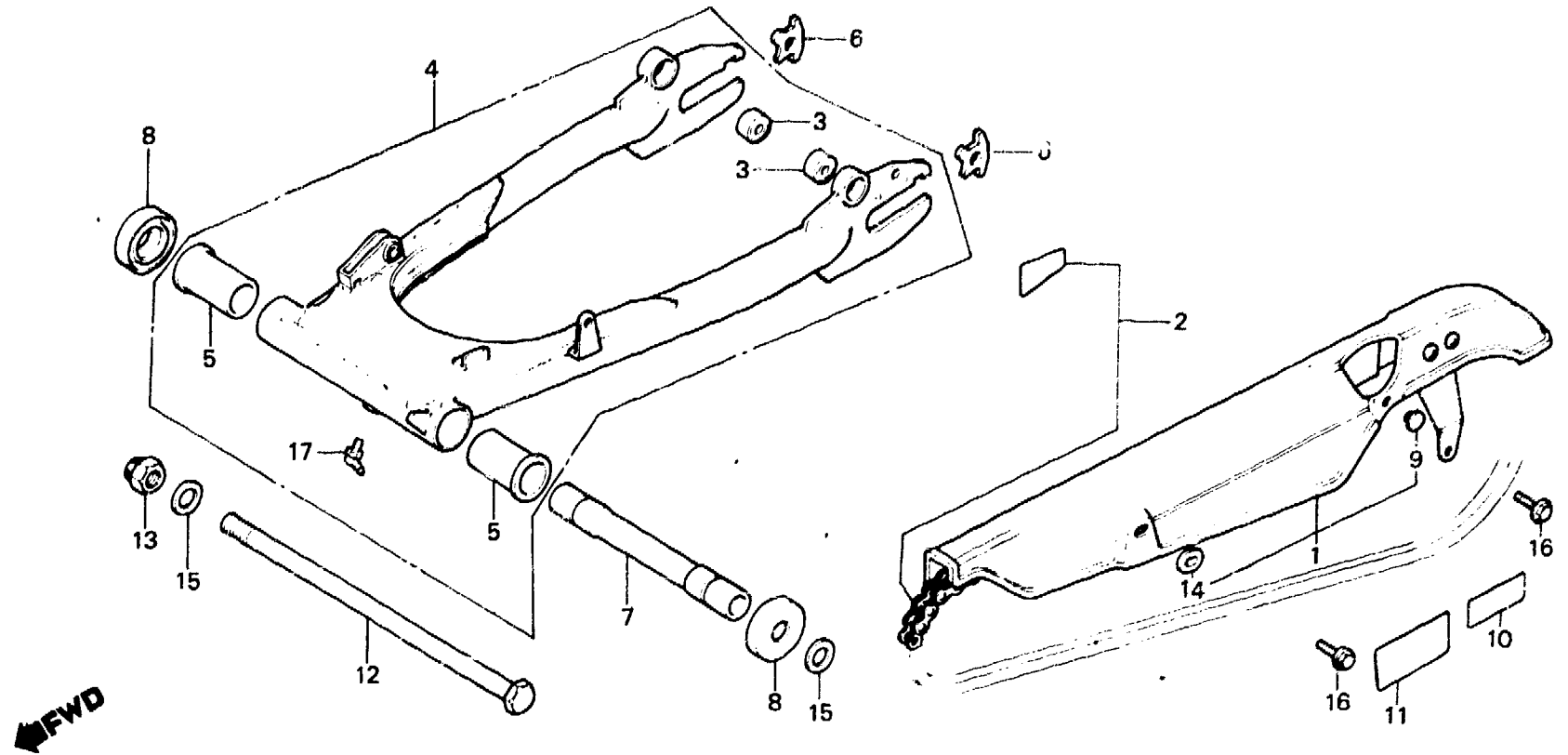
F-23

Rear fork • Chain case  
(CB750Fz)

Fourche arrière • Carter de chaîne  
(CB750Fz)

Hintere Schwinge • Kettenschutz  
(CB750Fz)

Horquilla trasera • Caja de cadena  
(CB750Fz)



B438-32

Service item	F.R.T.	Ref. No.	Part No.	Description	Reqd. No.							Serial No.	Area code
					Fz	FA	Fb	Fc	F2c	Fd	F2d		
CASE, DRIVE CHAIN	0.1	1	40510-425-010	CASE, DRIVE CHAIN	1								
CHAIN SET, DRIVE	0.7	2	40535-425-721	CHAIN SET, DRIVE (90L)	1								
BUSH, RR. CUSHION UNDER RUBBER	0.6		40535-425-722	CHAIN SET, DRIVE (90L)	1								
COLLAR, RR. FORK CENTER		3	40548-268-000	BUSH, RR. CUSHION UNDER RUBBER	2								
FORK ASSY., RR.	0.8	4	52100-438-000ZA	FORK ASSY., RR. *NH-1*	1								
BUSH, RR. FORK PIVOT (ONE OR ALL)	1.0	5	52108-422-300	BUSH, RR. FORK PIVOT	2								
		6	52136-405-000	STOPPER, CHAIN ADJUSTER	2								
		7	52141-422-020	COLLAR, RR. FORK CENTER	1								
		8	52144-362-000	CAP, RR. FORK DUST SEAL	2								
		9	80102-355-670	PLUG, USELESS HOLE	1								
		10	87505-445-672	MARK, TIRE CAUTION	1								
			87505-445-722	MARK, TIRE CAUTION (FRENCH)	1								

**2-E2**

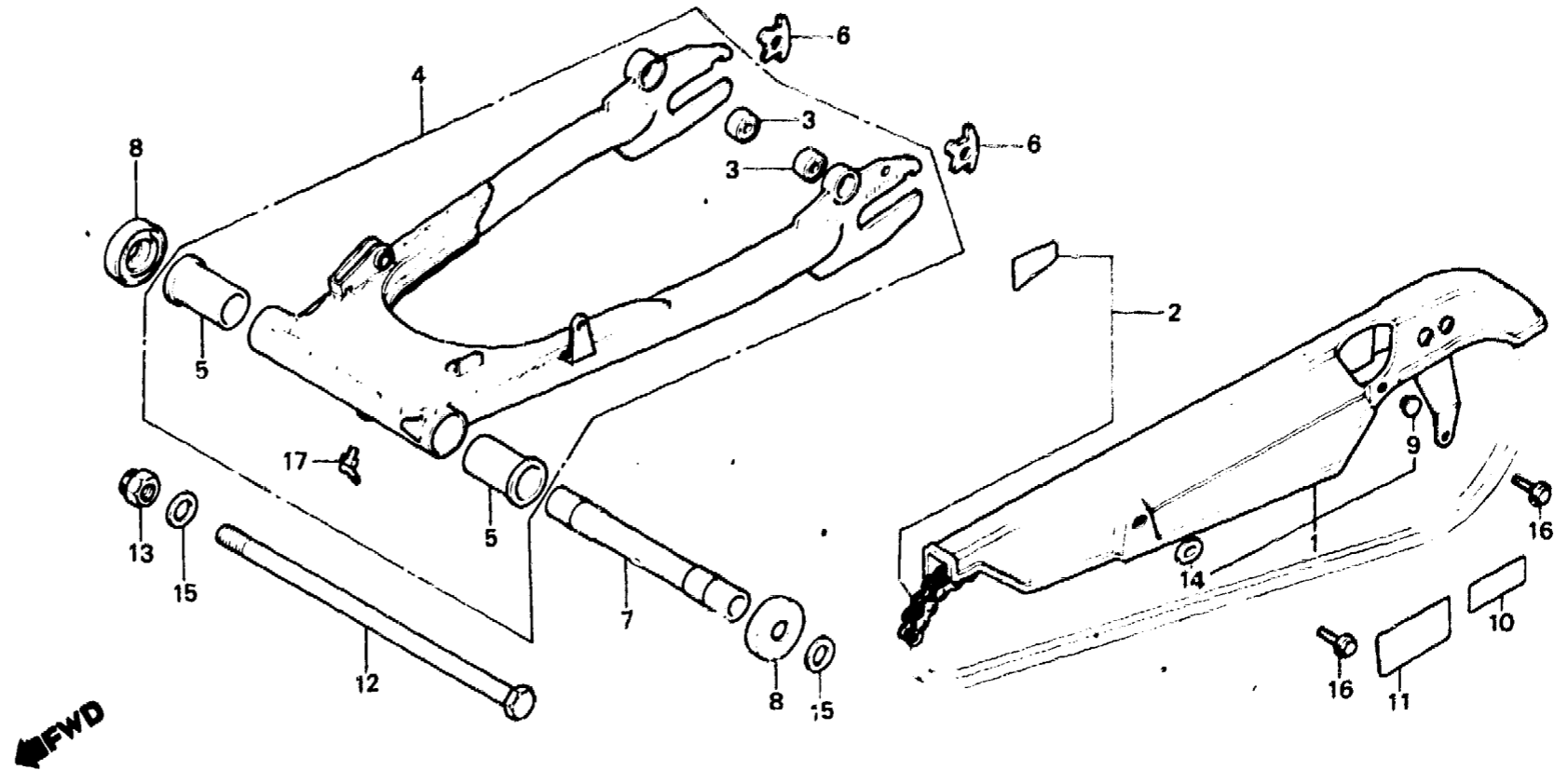
**F-23**

Rear fork • Chain case  
(CB750Fz)

Fourche arrière • Carter de chaîne  
(CB750Fz)

Hintere Schwinge • Kettenschutz  
(CB750Fz)

Horquilla trasera • Caja de cadena  
(CB750Fz)



B438-32

Service item	F.R.T.	Ref. No.	Part No.	Description	Reqd. No.						Serial No.	Area code
					Fz	FA	Fb	Fc	F2c	Fd		
		11	87512-422-300	MARK, ACCESSORIES LOADING CAUTION	1							
			87512-422-720	MARK, ACCESSORIES LOADING CAUTION (FRENCH)	1							
		12	90121-438-000	BOLT, RR. FORK PIVOT	1							
		13	90354-422-000	NUT, SELF LOCK, 14MM	1							
		14	90513-405-000	WASHER, 6X9	1							
		15	90600-422-000	WASHER, PLAIN, 14MM	2							
		16	95700-06012-07	BOLT, FLANGE, 6X12	2							
		17	96201-60000	NIPPLE, GREASE, C.T6	1							

1982.09.20

E

2-E2

**2-E3**

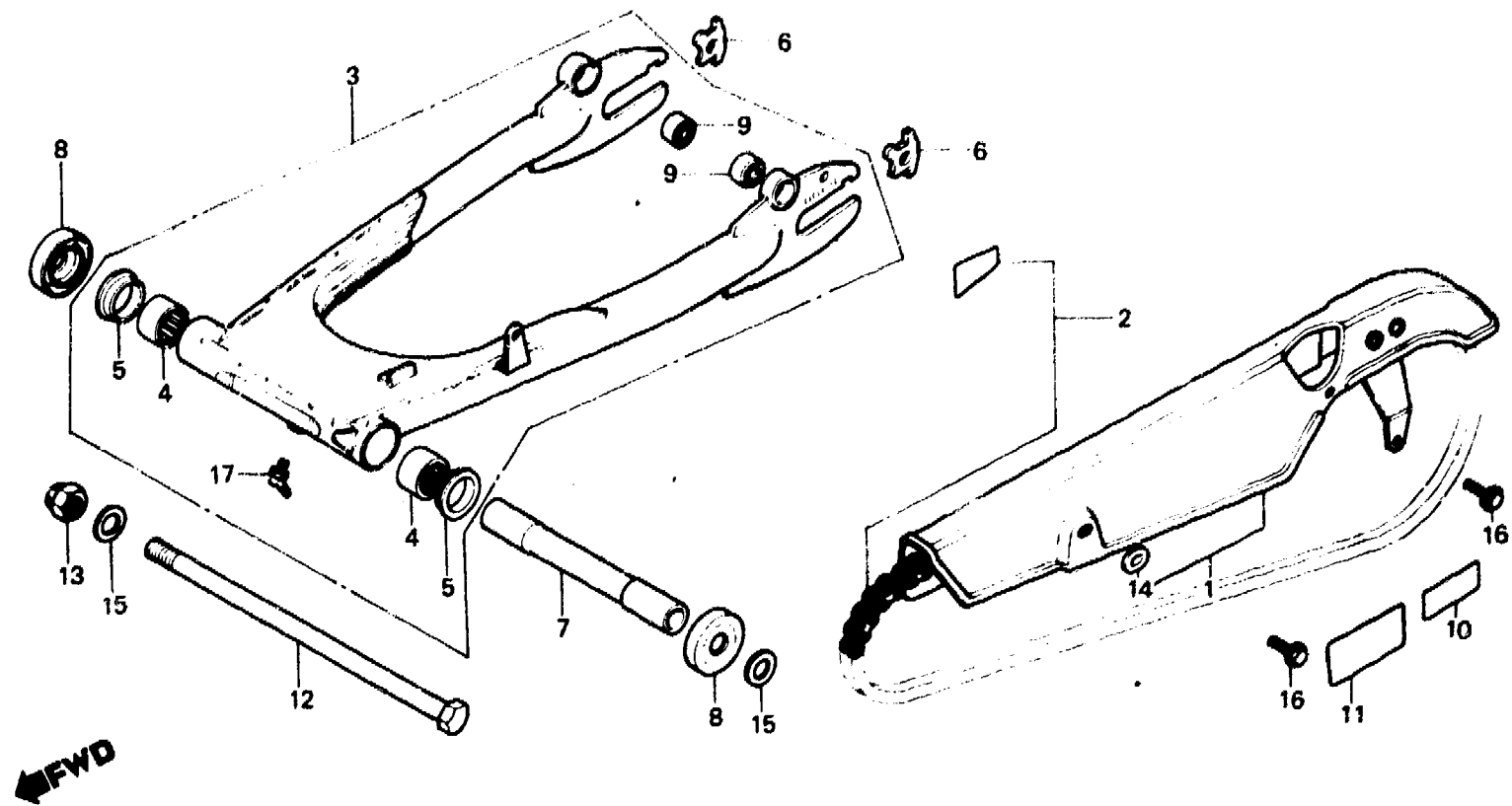
**F-23-1**

**Rear fork • Chain case**  
(CB750FA•FB•FC•F2C•FD•F2D)

**Fourche arrière • Carter de chaîne**  
(CB750FA•FB•FC•F2C•FD•F2D)

**Hintere Schwinge • Kettenschutz**  
(CB750FA•FB•FC•F2C•FD•F2D)

**Horquilla trasera • Caja de cadena**  
(CB750FA•FB•FC•F2C•FD•F2D)



B445-16

Service item	F.R.T.	Ref. No.	Part No.	Description	Reqd. No. CB750							Serial No.	Area code
					Fz	FA	Fb	Fc	F2c	Fd	F2d		
CASE, DRIVE CHAIN	0.1	1	40510-438-000	CASE, DRIVE CHAIN	1	1	1	1	1	1			
CHAIN SET, DRIVE	0.7	2	40535-425-771	CHAIN SET, DRIVE (108L)	1	1	1	1	1	1			
COLLAR, RR. FORK CENTER			40535-425-772	CHAIN SET, DRIVE (108L)	1	1	1	1	1	1			
FORK ASSY., RR.	0.8	3	52100-445-770ZA	FORK ASSY., RR. *NH-1*	1	1	1	1	1	1			
BEARING, RR. FORK PIVOT (ONE OR ALL)	1.0	4	52108-425-831	BEARING, RR. FORK PIVOT (TOMUSON)	2	2	2	2	2	2			
			52108-425-832	BEARING, RR. FORK PIVOT (KOYO)	2	2	2	2	2	2			
		5	52109-425-831	BUSH, THRUST	2	2	2	2	2	2			
		6	52136-405-000	STOPPER, CHAIN ADJUSTER	2	2	2	2	2	2			
		7	52141-425-830	COLLAR, RR. FORK CENTER	1	1	1	1	1	1			
		8	52144-425-831	CAP, DUST SEAL	2	2	2	2	2	2			
		9	52451-357-000	BUSH, RR. DAMPER	2	2	2	2	2	2			
		10	87505-445-611	MARK, TIRE CAUTION	1							DK, DM, E, ED, G, U	
			87505-445-621	MARK, TIRE CAUTION	1							F	
			87505-445-761	MARK, TIRE CAUTION	1							SA	
			87505-445-770	MARK, TIRE CAUTION	1							CM	

1982.09.20

E

2-E3



2-E4

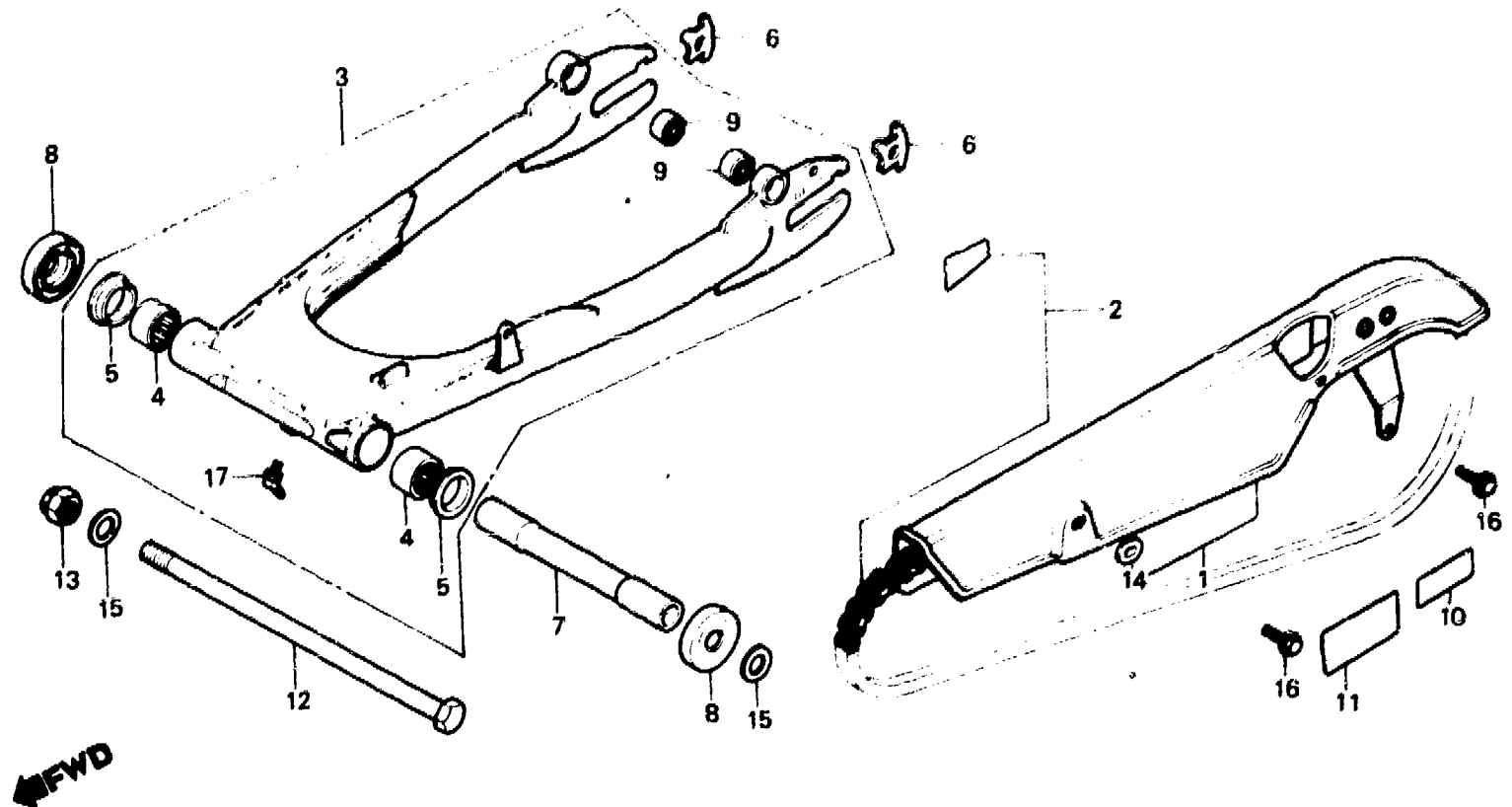
F-23-1

Rear fork • Chain case  
(CB750FA•FB•Fc•F2c•Fd•F2D)

Fourche arrière • Carter de chaîne  
(CB750FA•FB•Fc•F2c•Fd•F2D)

Hintere Schwinge • Kettenschutz  
(CB750FA•FB•Fc•F2c•Fd•F2D)

Horquilla trasera • Caja de cadena  
(CB750FA•FB•Fc•F2c•Fd•F2D)



B445-18

Service item	F.R.T.	Ref. No.	Part No.	Description	Reqd. No. CB750						Serial No.	Area code
					Fz	FA	Fr	Fc	F2c	Fd		
			87505-445-780	MARK, TIRE CAUTION (FRENCH)		1						CM
			87505-MA4-610	MARK, TIRE CAUTION			1					DK,DM,E,ED,G,U
			87505-MA4-620	MARK, TIRE CAUTION (FRANCE)			1					F
			87505-MA4-660	MARK, TIRE CAUTION			1					SA
			87505-445-630	MARK, TIRE CAUTION			1					CM
			87505-445-730	MARK, TIRE CAUTION (FRENCH)			1					CM
			87505-MC3-610	MARK, TIRE CAUTION				1	1	1	1	DK,DM,E,ED,G,U,IT
			87505-MC3-620	MARK, TIRE CAUTION				1	1			F
			87505-MC3-660	MARK, TIRE CAUTION				1	1	1	1	SA
			87505-MC3-670	MARK, TIRE CAUTION				1				CM
			87505-MC3-720	MARK, TIRE CAUTION (FRENCH)				1				CM
		11	87512-425-770	MARK, ACCESSORIES & LOADING CAUTION		1						CM
			87512-425-780	MARK, ACCESSORIES & LOADING CAUTION (FRENCH)		1						CM

1982.09.20

E

2-E4

**2-E5**

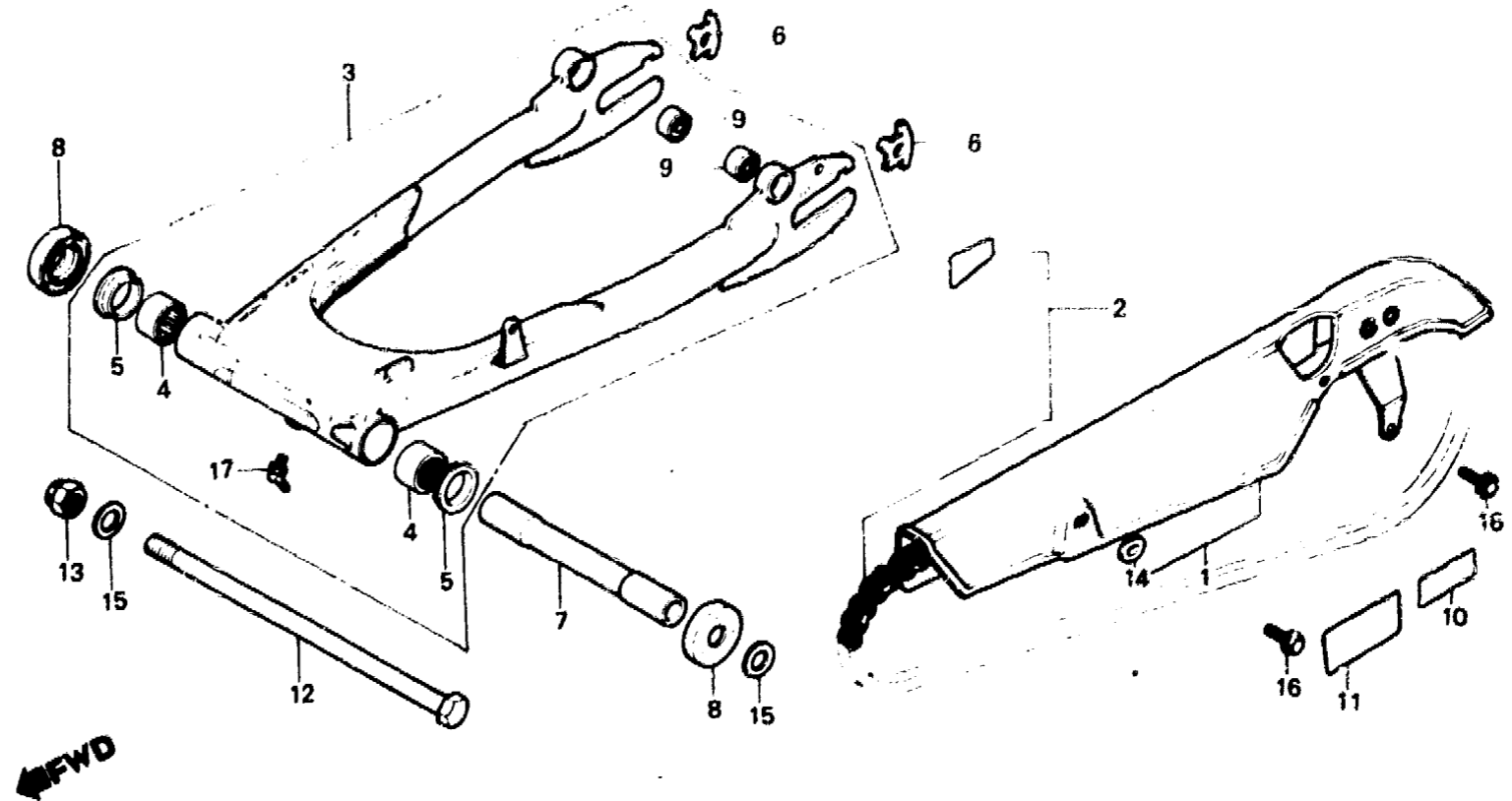
**F-23-1**

**Rear fork • Chain case**  
(CB750FA•FB•FC•F2C•Fd•F2D)

**Fourche arrière • Carter de chaîne**  
(CB750FA•FB•FC•F2C•Fd•F2D)

**Hintere Schwinge • Kettenschutz**  
(CB750FA•FB•FC•F2C•Fd•F2D)

**Horquilla trasera • Caja de cadena**  
(CB750FA•FB•FC•F2C•Fd•F2D)



B445-18

Service item	F.R.T.	Ref. No.	Part No.	Description	Reqd. No. CB750						Serial No.	Area code
					Fz	FA	Fb	Fc	F2c	Fd		
			87512-MA4-610	MARK, ACCESSORIES & LOADING CAUTION			1	1	1			G
			87512-MA4-660	MARK, ACCESSORIES & LOADING CAUTION			1	1	1	1	1	SA
			87512-MA4-670	MARK, ACCESSORIES & LOADING CAUTION			1	1	1	1	1	CM,DK,DM,E,ED,U,IT
			87512-MA4-720	MARK, ACCESSORIES & LOADING CAUTION (FRENCH)			1	1	1			CM,F
		12	90121-445-770	BOLT, RR, FORK PIVOT	1	1	1	1	1	1	1	
		13	90354-425-830	NUT, SELF LOCK, 16MM	1	1	1	1	1	1	1	
		14	90513-405-000	WASHER, 6X9	1	1	1	1	1	1	1	
		15	90600-425-830	WASHER, PLAIN, 16MM	2	2	2	2	2	2	2	
		16	95700-06012-07	BOLT, FLANGE, 6X12	2	2	2	2	2	2	2	
		17	96201-60000	NIPPLE, GREASE, C.T6	1	1	1	1	1	1	1	

1982.09.20

E

2-E5

**2-E6**

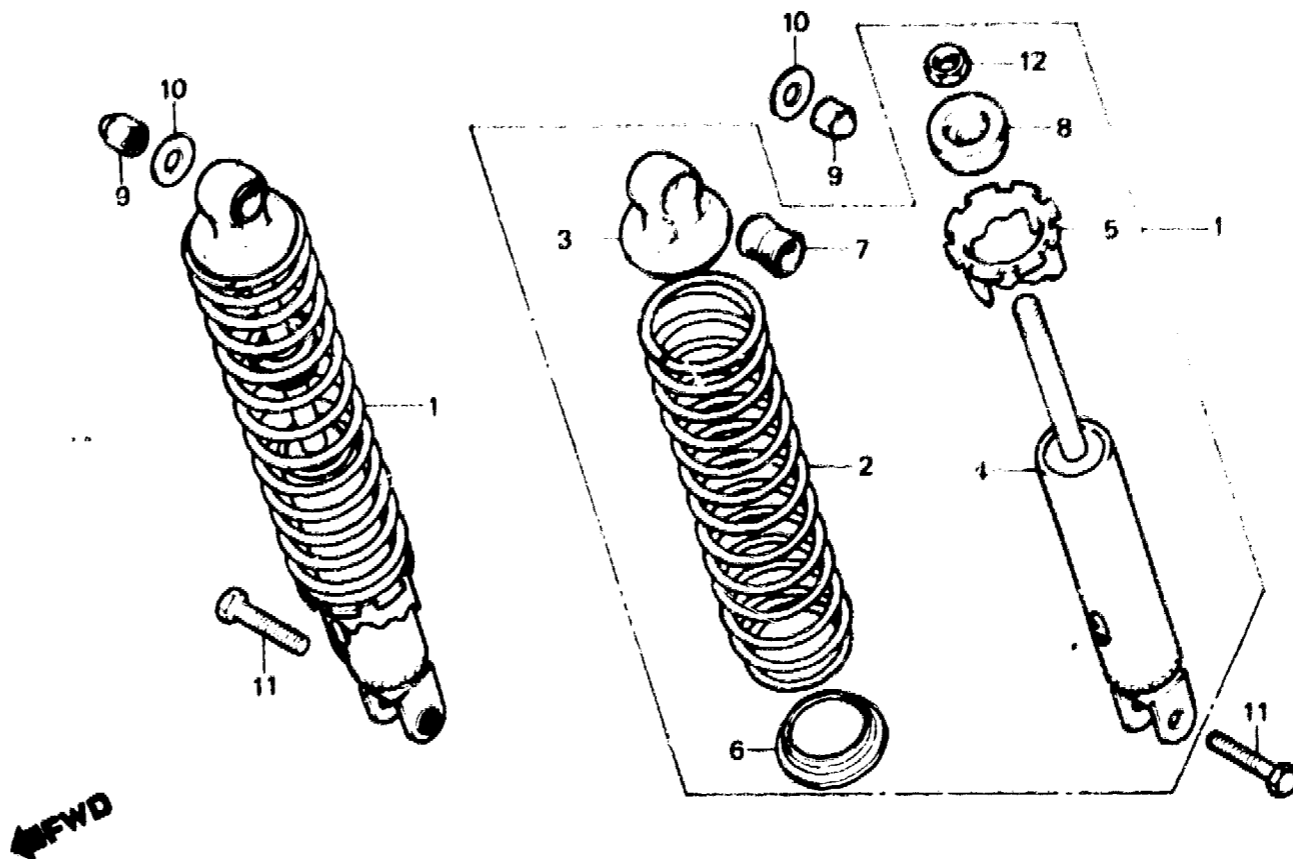
**F-24**

**Rear cushion  
(CB750Fz)**

**Amortisseur arrière  
(CB750Fz)**

**Hinterer Stoßdämpfer  
(CB750Fz)**

**Amortiguador trasero  
(CB750Fz)**



B425-63

Service item	F.R.T.	Ref. No.	Part No.	Description	Reqd. No. CB750							Serial No.	Area code
					Fz	FA	Fa	Fc	F2c	Fd	F2d		
CUSHION ASSY., RR. DAMPER COMP., RR. (INC. RELATIVE PART)	0.1	1	52400-425-003	CUSHION ASSY., RR. 52400-425-013	2								
	0.3	2	52401-425-000	SPRING, RR. CUSHION	2								
		3	52403-425-003	JOINT COMP., UPPER	2								
		4	52410-425-003	DAMPER COMP., RR. 52410-425-013	2								
		5	52422-404-003	ADJUSTER, SPRING	2								
		6	52458-329-000	SEAT, RR. CUSHION SPRING UNDER	2								
		7	52484-292-000	RUBBER, JOINT	2								
		8	52517-404-003	RUBBER, STOPPER	2								
		9	90309-315-000	NUT, RR. CUSHION UPPER	2								
		10	90521-292-000	WASHER, 10.3MM	2								
			11	93200-10032-0A	BOLT, HEX., 10X32	2							
			12	94002-10000-05	NUT, HEX., 10MM	2							

**2-E7**

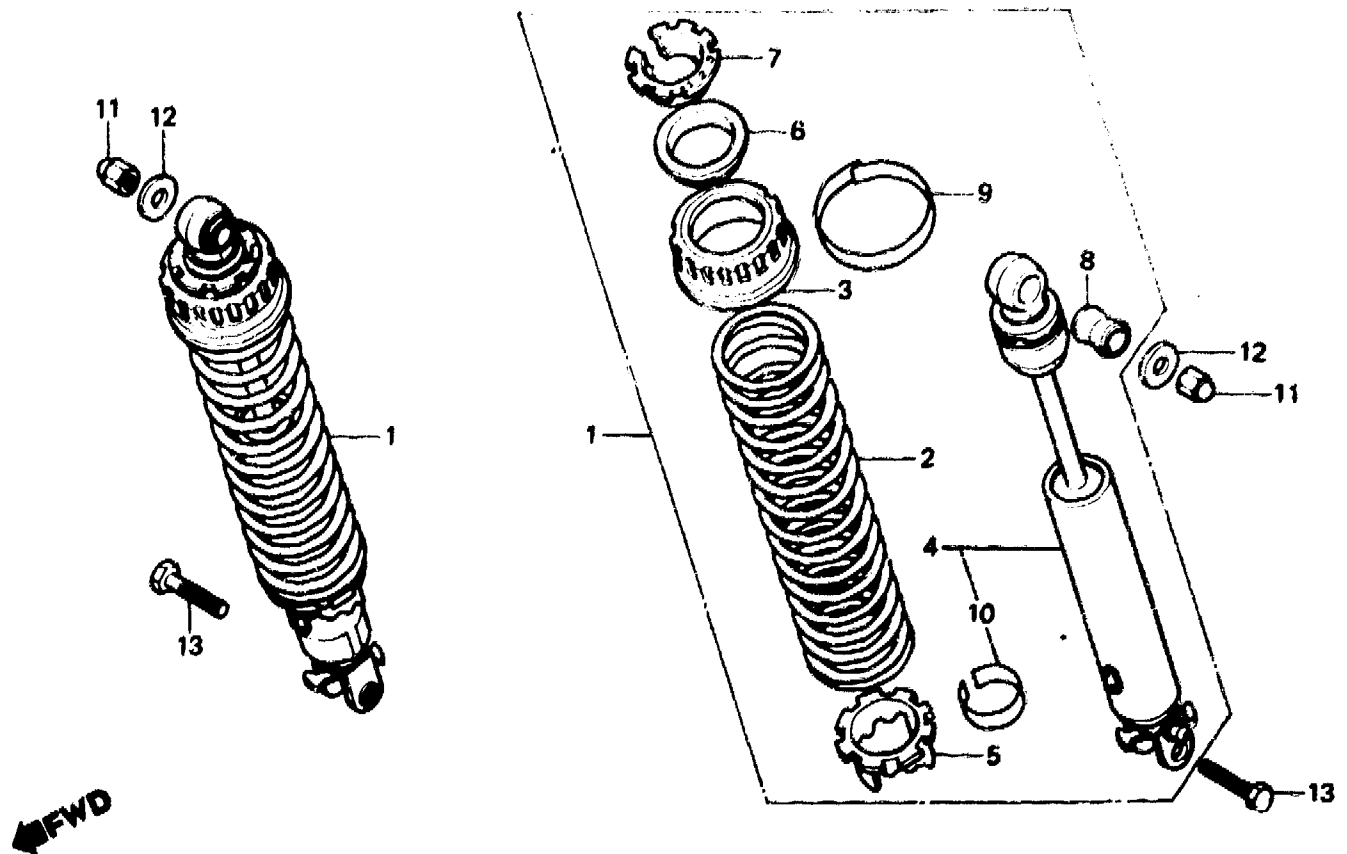
**F-24-1**

**Rear cushion  
(CB750FA·FB·FC·F2C·FD·F2D)**

**Amortisseur arrière  
(CB750FA·FB·FC·F2C·FD·F2D)**

**Hinterer Stoßdämpfer  
(CB750FA·FB·FC·F2C·FD·F2D)**

**Amortiguador trasero  
(CB750FA·FB·FC·F2C·FD·F2D)**



B422-60

Service item	F.R.T.	Ref. No.	Part No.	Description	Reqd. No. CB750							Serial No.	Area code
					Fz	FA	Fb	Fc	F2c	Fd	F2D		
CUSHION ASSY., RR. DAMPER COMP., RR. (INC. RELATIVE PART)	0.1 0.3	1	52400-438-611	CUSHION ASSY., RR.	2								CM
			52400-438-612	CUSHION ASSY., RR.	2							2124570	DK,DM,E,ED,F,G SA,U
			52400-445-631	CUSHION ASSY., RR. (SHOWA)			2	2	2	2	2	2124571	DK,DM,E,ED,F,G SA,U
		2	52401-438-611	SPRING, RR. CUSHION	2	2	2	2	2	2		DK,DM,E,ED,F,G SA,U,IT	
		3	52402-422-611	COVER, SPRING	2	2	2	2	2	2		CM	
		4	52410-438-611	DAMPER COMP., RR.	2							2124570	DK,DM,E,ED,F,G SA,U
			52410-438-612	DAMPER COMP., RR.	2							2124571	DK,DM,E,ED,F,G SA,U
			5	52410-438-712 52422-422-003	DAMPER COMP., RR. (SHOWA) ADJUSTER, SPRING	2	2	2	2	2	2		DK,DM,E,ED,F,G SA,U,IT CM

**2-E8**

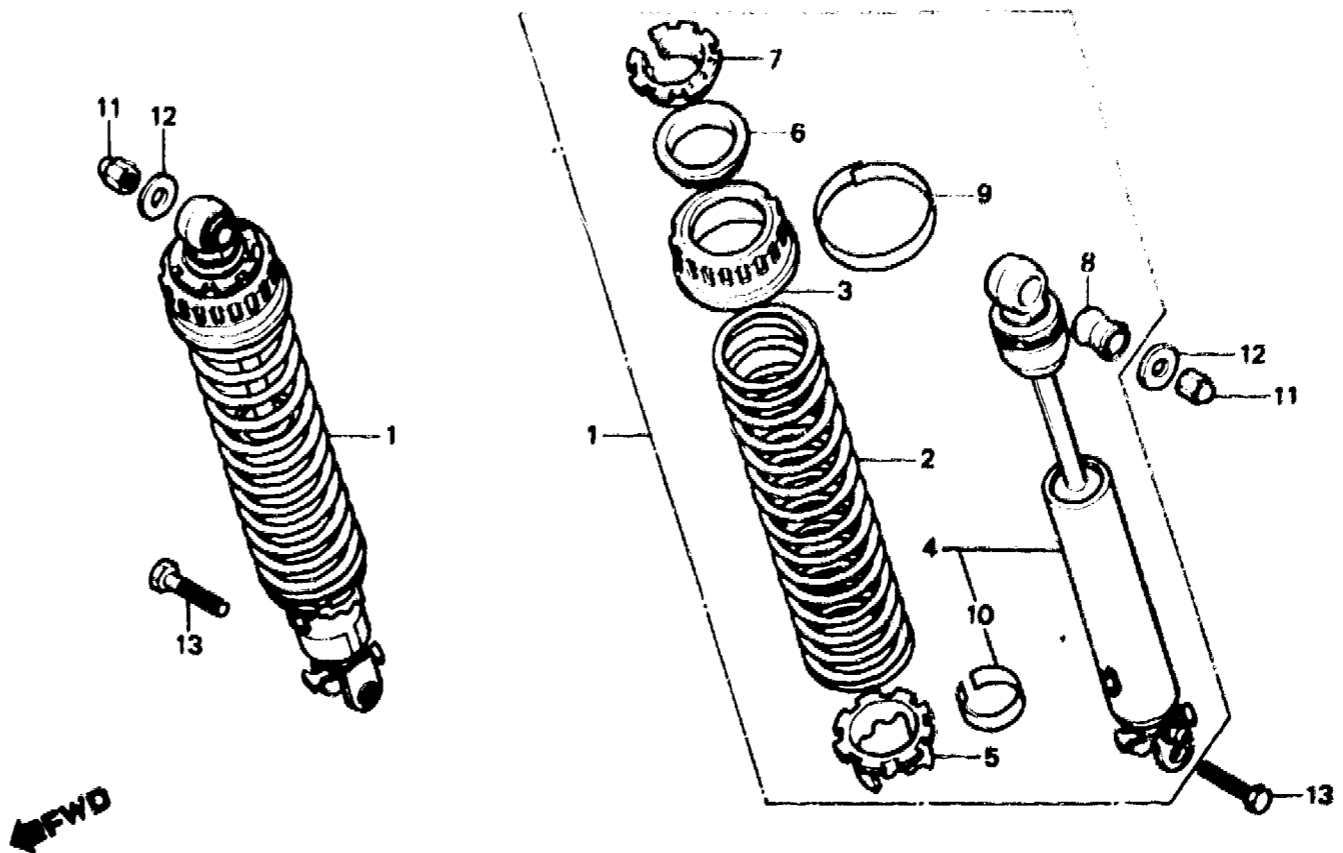
**F-24-1**

**Rear cushion**  
(CB750FA·FB·FC·F2C·FD·F2D)

**Amortisseur arrière**  
(CB750FA·FB·FC·F2C·FD·F2D)

**Hinterer Stoßdämpfer**  
(CB750FA·FB·FC·F2C·FD·F2D)

**Amortiguador trasero**  
(CB750FA·FB·FC·F2C·FD·F2D)



B422-60

Service item	F.R.T.	Ref. No.	Part No.	Description	Reqd. No. CB750						Serial No.	Area code	
					Fz	FA	Fb	Fc	F2c	Fd			F2d
		6	52450-422-611	PROTECTOR, COVER		2	2	2	2	2	2		
		7	52451-422-611	SEAT, SPRING		2	2	2	2	2	2		
		8	52484-292-000	RUBBER, JOINT		2	2	2	2	2	2		
		9	52758-438-300	LABEL A		2							CM
			52758-445-630	LABEL A			2	2					DK,DM,E,ED,F,G
		10	52759-422-300	LABEL B		2	2	2	2	2	2		SA,U,IT
		11	90309-315-000	NUT, RR. CUSHION UPPER		2	2	2	2	2	2		CM
		12	90521-292-000	WASHER, 10.3MM		2	2	2	2	2	2		
		13	93200-10032-0B	BOLT, HEX., 10X32		2	2	2	2	2	2		

1982.09.20

E

2-E8

**2-E9**

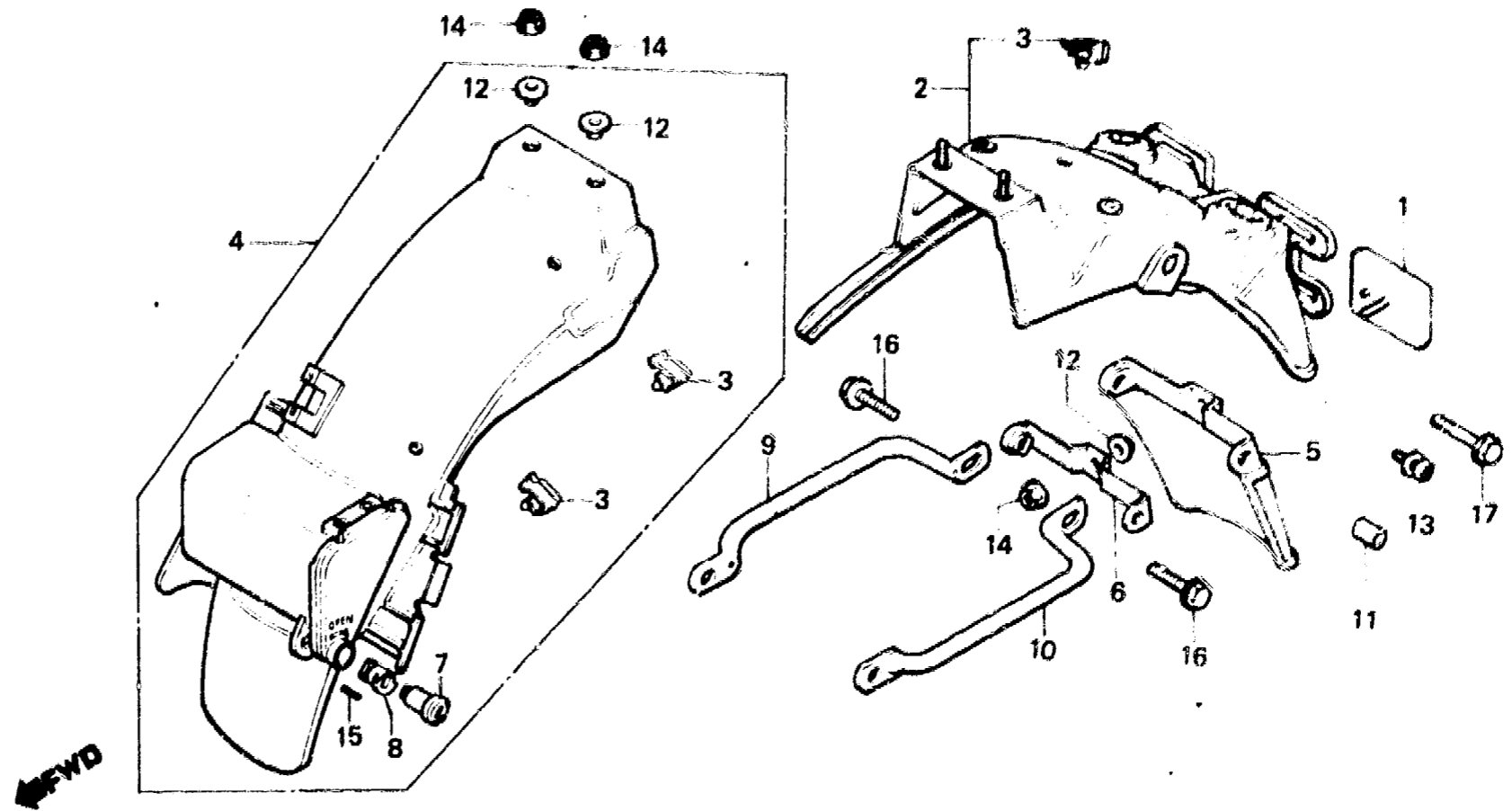
**F-25**

**Rear fender**

**Garde-boue arrière**

**Hinterer Kotflügel**

**Parafango trasero**



8445-23

Service item	F.R.T.	Ref. No.	Part No.	Description	Reqd. No. CB750							Serial No.	Area code
					Fz	FA	Fa	Fc	F2c	Fd	F2d		
FENDER COMP. A, RR.	0.2	1	33741-415-601	REFLECTOR, RR. REFLEX (STANLEY)		1	1	1	1	1	1		E,ED,F,G
FENDER ASSY. B, RR.	0.3	2	80100-445-670ZA	FENDER COMP. A, RR. *NH-105*	1	1	1	1	1	1	1		CM,DK,DM,SA,U
MUDGUARD, RR. FENDER	0.1		80100-438-610ZA	FENDER COMP. A, RR. *NH-105*		1	1	1	1	1			E,F,G,IT
PIPE, GRIP (ONE OR ALL)			80100-438-640ZA	FENDER COMP. A, RR. *NH-105*		1	1	1	1	1	1		ED
		3	80110-147-000	CLAMP, CABLE	3	3	3	4	4	4	4		
		4	80120-438-000	FENDER ASSY. B, RR.	1	1	1	1	1	1	1		ED
		5	80121-438-640	MUDGUARD, RR. FENDER		1	1	1	1	1	1		ED
		6	80122-438-640	STAY, MUDGUARD		1	1	1	1	1	1		ED
		7	83507-438-000	BODY, KEY	1	1	1	1	1	1	1		
		8	83508-438-000	STOPPER, KEY BODY	1	1	1	1	1	1	1		
		9	84100-438-000	PIPE, R. GRIP	1	1	1	1	1				
			84100-MG5-670	PIPE, R. RR. GRIP						1	1		
		10	84200-438-000	PIPE, L. GRIP	1	1	1	1	1				
			84200-MG5-670	PIPE, L. RR. GRIP						1	1		
		11	90325-323-630	COLLAR, RR. MUDGUARD		3	3	3	3	3	3		ED

1982.09.20

E

2-E9

**2-E10**

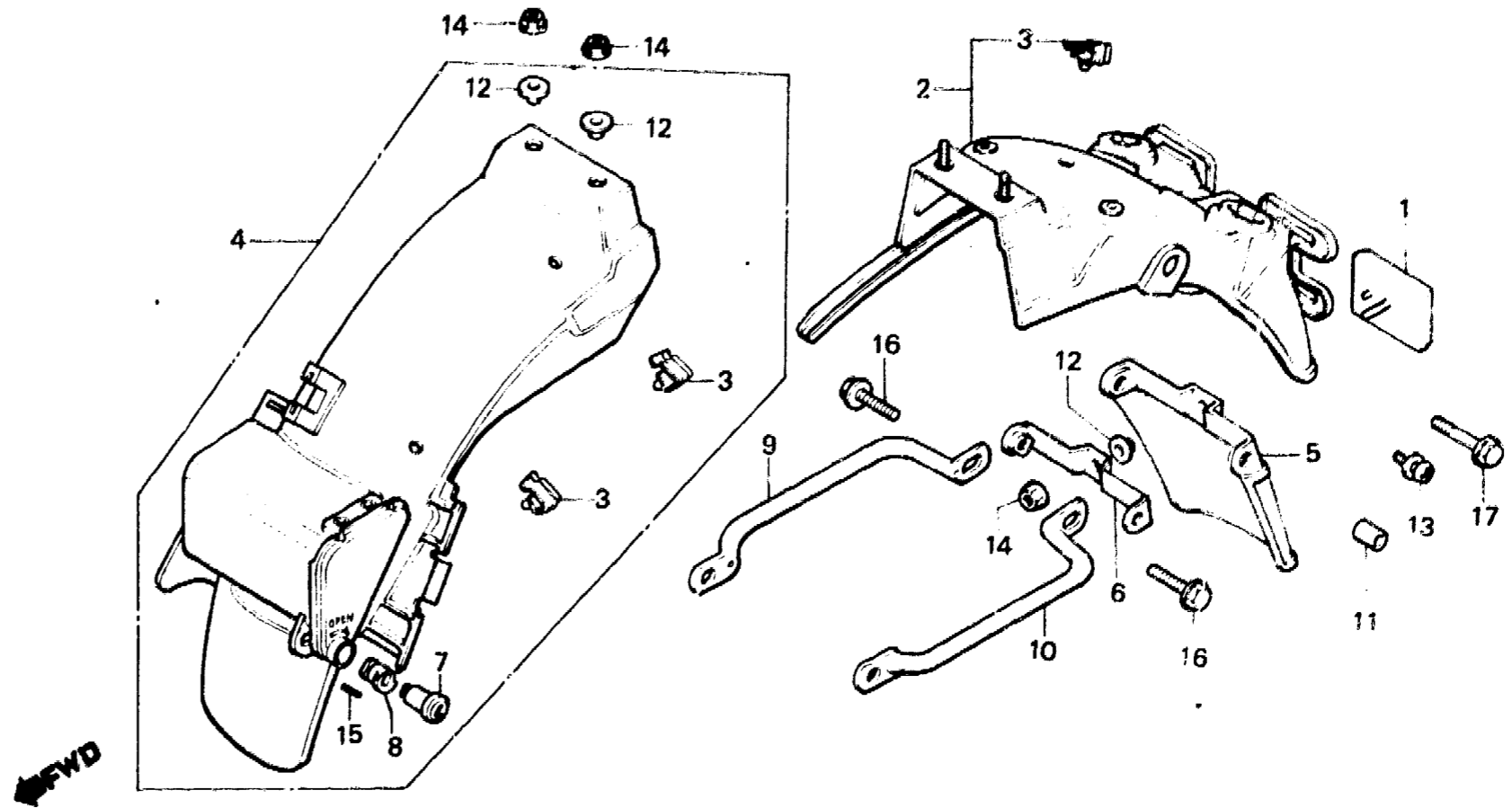
**F-25**

**Rear fender**

**Garde-boue arrière**

**Hinterer Kotflügel**

**Parafango trasero**



B445-23

Service item	F.R.T.	Ref. No.	Part No.	Description	Reqd. No. CB750								Serial No.	Area code
					Fz	Fa	Fa	Fc	F2c	Fd	F2o			
		12	90512-300-000	WASHER, 6X20	2	2	2	2	2	2	2		CM,DK,DM,ED,SA U,IT	
		13	93891-06014-07	SCREW-WASHER, 6X14		3	3	3	3	3			E,F,G	
		14	94050-06000	NUT, FLANGE, 6MM	2	2	2	2	2	2	2		ED	
						3	3	3	3	3	3		CM,DK,DM,SA,U	
		15	94305-20141	PIN, SPRING, 2X14	1	1	1	1	1	1	1		E,ED,F,G,IT	
		16	95700-08016-00	BOLT, FLANGE, 8X16	2	2	2	2	2					
			95700-08016-07	BOLT, FLANGE, 8X16							2	2		
		17	95700-08025-00	BOLT, FLANGE, 8X25	2	2	2	2	2	2	2	2		

1982.09.20

E

2-E10

2-E11

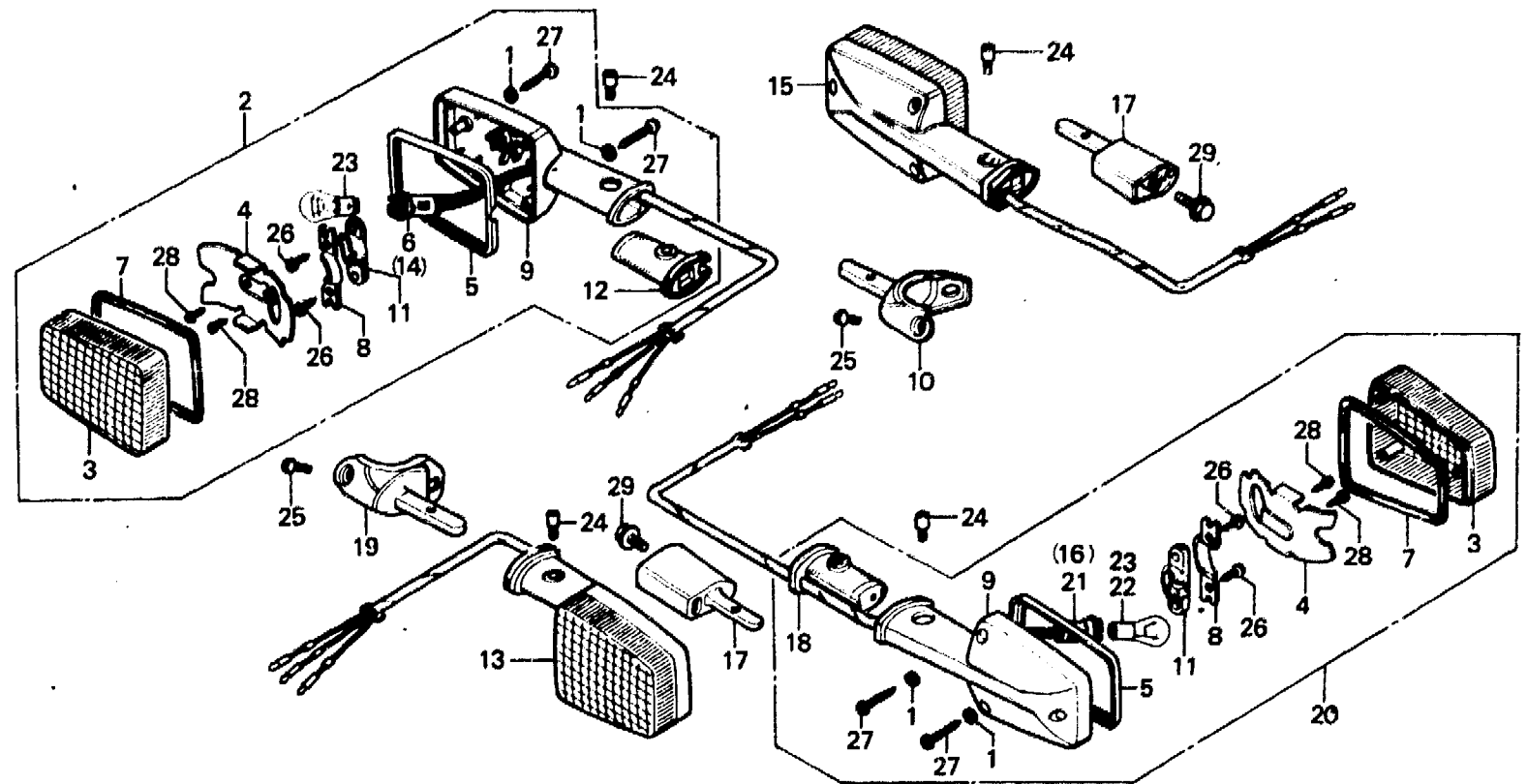
F-26

Winker  
(CM,DK,DM,SA,U)

Clignotant  
(CM,DK,DM,SA,U)

Blinker  
(CM,DK,DM,SA,U)

Luz intermitente  
(CM,DK,DM,SA,U)



B445-13

Service item	F.R.T.	Ref. No.	Part No.	Description	Reqd. No. CB750							Serial No.	Area code	
					Fz	FA	Fb	Fc	F2c	Fd	F2d			
WINKER ASSY. (ADD 0.1 FOR EACH.) (INC. RELATIVE PART) (EXC. RELATED PARTS BELOW) BULB, WINKER (WHEN SERVICING COMP., UNIT, F.R.T. IS 0.2.)	0.2	1	33318-567-003	WASHER	12	12	12	12	12	12	12		CM,DK,DM,SA,U	
		2	33400-445-671	WINKER ASSY., R. FR.	1									
			33600-426-731	WINKER ASSY., R. RR. (12V 23W)					1			1		DK,DM,SA,U
			33400-425-681	WINKER ASSY., R. FR. (12V23W STANLEY)			1							DK,DM,SA,U
	0.1		33400-445-672	WINKER ASSY., R. FR.			1							CM
			33400-426-731	WINKER ASSY., R. FR.			1	1		1				DK,DM,SA,U
			33400-445-631	WINKER ASSY., R. FR. (12V 23/8W STANLEY)			1	1						CM
			3	33402-431-782	LENS, WINKER	4	4	4	4	4	4	4		CM,DK,DM,SA,U
			4	33403-431-782	REFLECTOR, WINKER	4	4	4	4	4	4	4		CM
				33403-425-003	REFLECTOR, WINKER		4	4	4	4	4	4		DK,DM,SA,U
		5	33404-438-003	RIM, WINKER	4									
		6	33405-425-671	SOCKET COMP., R. FR. WINKER	1	1	1	1					CM	



**2-E12**

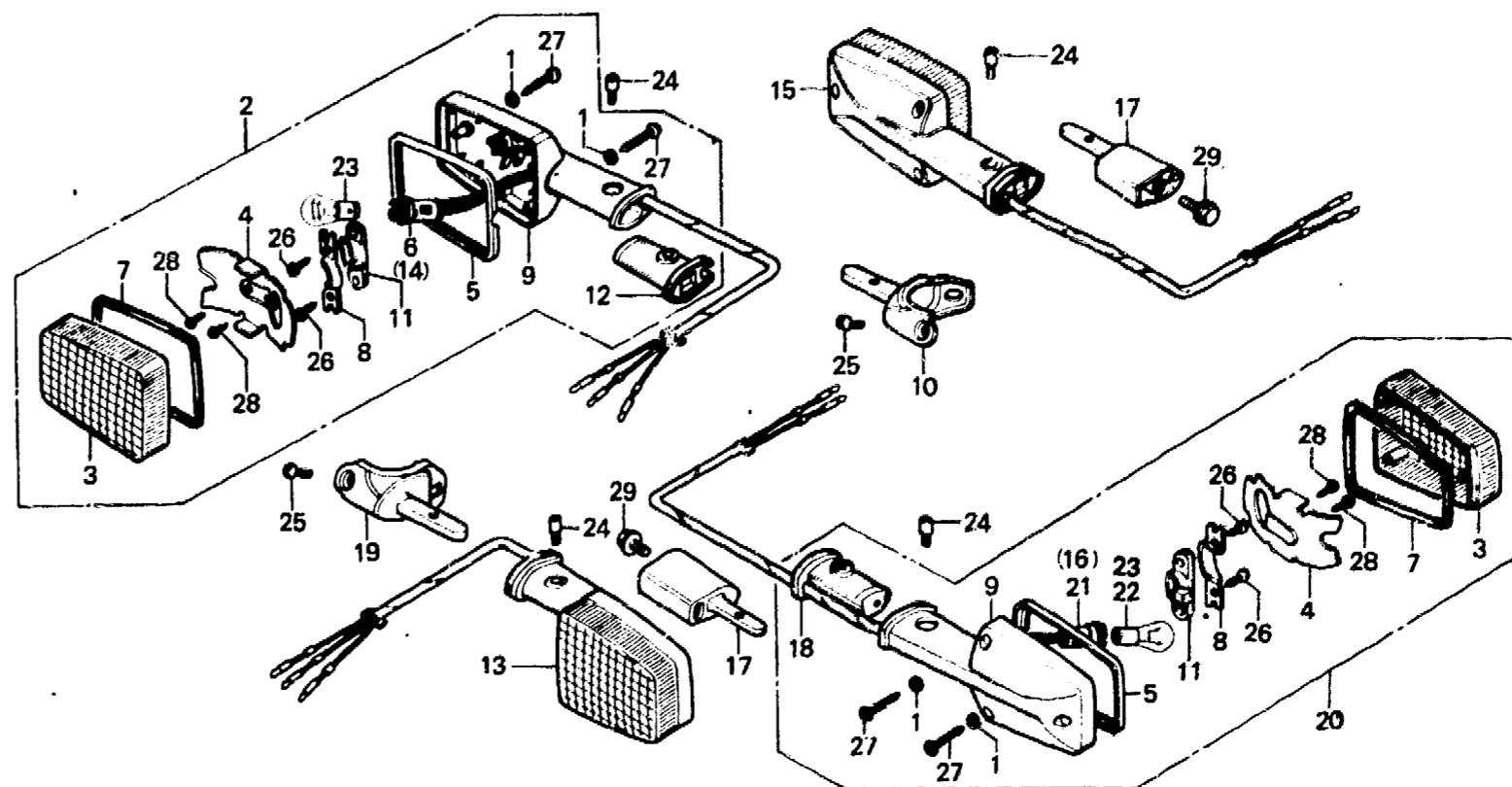
**F-26**

**Winker**  
**(CM,DK,DM,SA,U)**

**Clignotant**  
**(CM,DK,DM,SA,U)**

**Blinker**  
**(CM,DK,DM,SA,U)**

**Luz intermitente**  
**(CM,DK,DM,SA,U)**



B445-13

Service item	F.R.T.	Ref. No.	Part No.	Description	Reqd. No. CB750								Serial No.	Area code
					Fz	FA	Fb	Fc	F2c	Fd	F2D			
			33605-431-781	SOCKET COMP., R. RR. WINKER		1	1	1	1	1	1		DK,DM,SA,U	
		7	33406-431-781	PACKING, WINKER LENS	4	4	4	4	4	4	4		CM,DK,DM,SA,U	
		8	33407-431-781	HOLDER, SOCKET	4	4	4	4	4	4	4		CM,DK,DM,SA,U	
		9	33409-438-003	BASE, WINKER	4	4							CM,DK,DM,SA,U	
			33409-445-631	BASE, WINKER			4	4	4	4	4		CM,DK,DM,SA,U	
		10	33410-425-000	STAY, R. FR. WINKER	1	1							CM,DK,DM,SA,U	
			33410-445-630	STAY, R. FR. WINKER			1	1	1	1	1		CM,DK,DM,SA,U	
		11	33411-431-782	RUBBER, SOCKET	4	4	4	4	4	4	4		CM,DK,DM,SA,U	
		12	33417-425-000	RUBBER, FR. WINKER	2	2							CM,DK,DM,SA,U	
			33417-445-631	RUBBER, FR. WINKER MOUNTING			2	2	2	2	2		CM,DK,DM,SA,U	
		13	33450-445-671	WINKER ASSY., L. FR.	1									
			33650-425-731	WINKER ASSY., L. RR.					1		1		DK,DM,SA,U	

**2-E13**

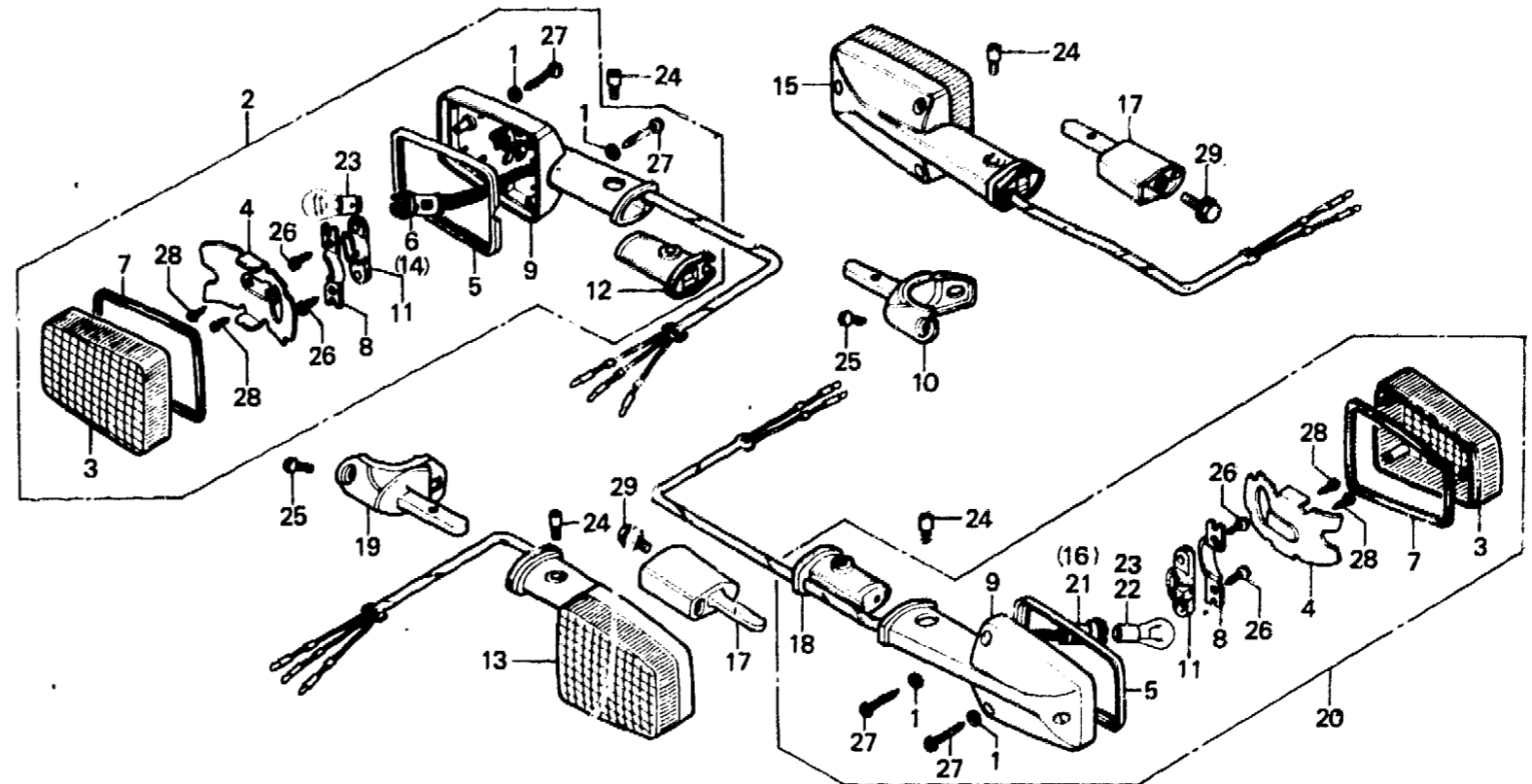
**F-26**

**Winker**  
**(CM,DK,DM,SA,U)**

**Clignotant**  
**(CM,DK,DM,SA,U)**

**Blinker**  
**(CM,DK,DM,SA,U)**

**Luz intermitente**  
**(CM,DK,DM,SA,U)**



B445-13

Service item	F.R.T.	Ref. No.	Part No.	Description	Reqd. No. CB750							Serial No.	Area code
					Fz	Fa	Fb	Fc	F2c	Fd	F2d		
			33450-425-681	WINKER ASSY., L. FR. (12V23W STANLEY)	1								DK,DM,SA,U
			33450-445-672	WINKER ASSY., L. FR.	1								CM
			33450-426-731	WINKER ASSY., L. FR.			1	1		1			DK,DM,SA,U
			33450-445-631	WINKER ASSY., L. FR. (12V 23/8W STANLEY)			1	1					CM
		14	33455-425-671	SOCKET COMP., L. FR. WINKER	1	1	1	1					CM
			33655-431-781	SOCKET COMP., L. RR. WINKER		1	1	1	1	1	1		DK,DM,SA,U
		15	33600-445-671	WINKER ASSY., R. RR.	1								DK,DM,SA,U
			33600-438-691	WINKER ASSY., R. RR. (12V 23W)		1							CM
			33600-445-672	WINKER ASSY., R. RR.		1							CM
			33600-426-731	WINKER ASSY., R. RR. (12V 23W)			1	1	1	1	1		DK,DM,SA,U

**2-E14**

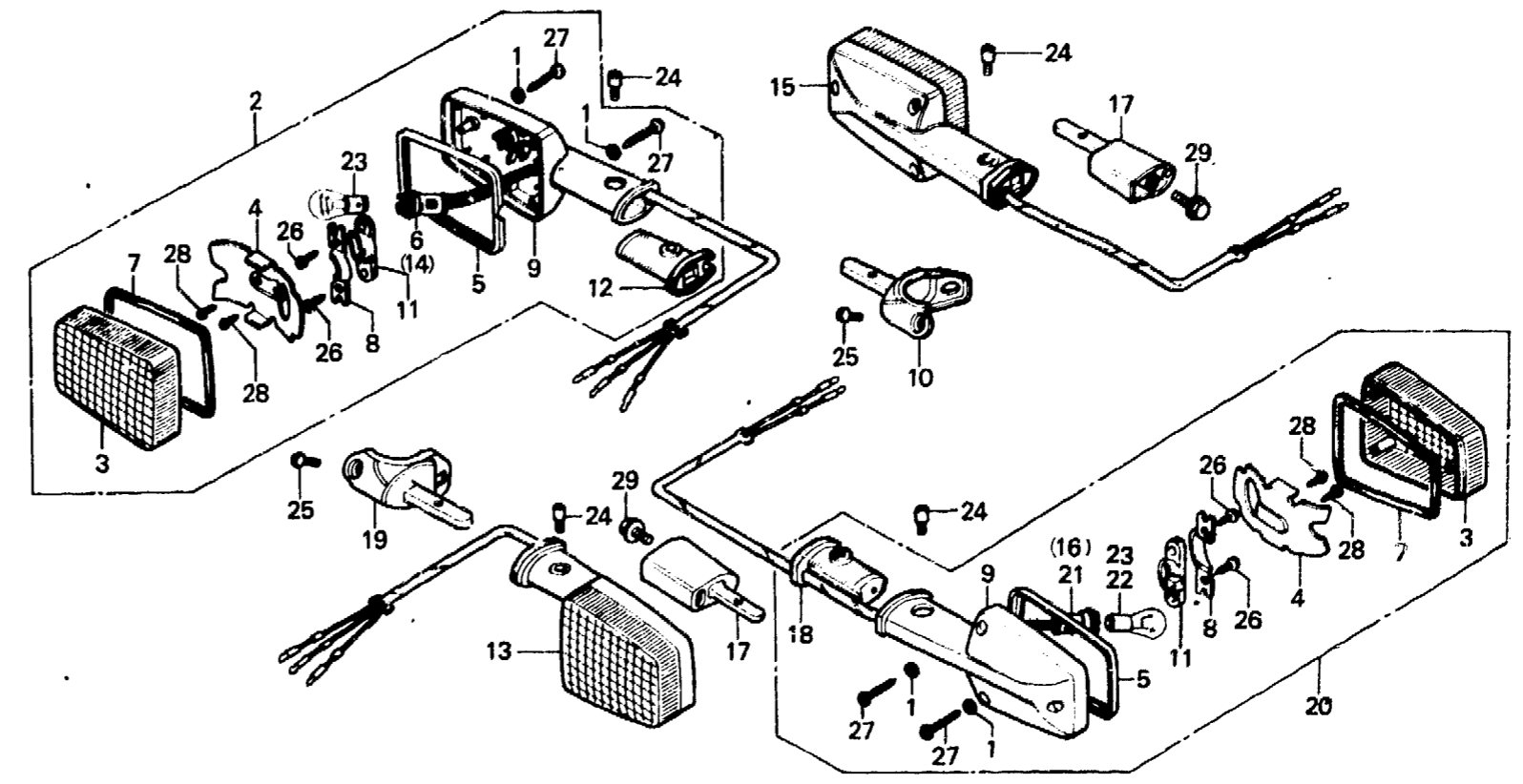
**F-26**

**Winker  
(CM,DK,DM,SA,U)**

**Clignotant  
(CM,DK,DM,SA,U)**

**Blinker  
(CM,DK,DM,SA,U)**

**Luz intermitente  
(CM,DK,DM,SA,U)**



B445-13

Service item	F.R.T.	Ref. No.	Part No.	Description	Reqd. No. CB750							Serial No.	Area code
					Fz	FA	Fb	Fc	F2c	Fd	F2d		
			33600-445-631	WINKER ASSY., R. RR. (12V 23/8W STANLEY)			1	1					CM
		16	33605-431-781	SOCKET COMP., R. RR. WINKER	1	1	1	1	1	1	1		CM,DK,DM,SA,U
		17	33605-438-000	STAY, RR. WINKER	2	2							CM,DK,DM,SA,U
			33605-445-630	STAY, RR. WINKER			2	2	2	2	2		CM,DK,DM,SA,U
		18	33609-425-000	RUBBER, RR. WINKER MOUNTING	2	2							CM,DK,DM,SA,U
			33609-445-631	RUBBER, RR. WINKER MOUNTING			2	2	4	2	4		CM,DK,DM,SA,U
		19	33610-425-000	STAY, L. FR. WINKER	1	1							CM,DK,DM,SA,U
			33610-445-630	STAY, L. FR. WINKER			1	1	1	1	1		CM,DK,DM,SA,U
		20	33650-445-671	WINKER ASSY., L. RR.	1								CM,DK,DM,SA,U
			33650-438-691	WINKER ASSY., L. RR. (12V 23W)		1							DK,DM,SA,U

1982.09.20

E

2-E14

**2-E15**

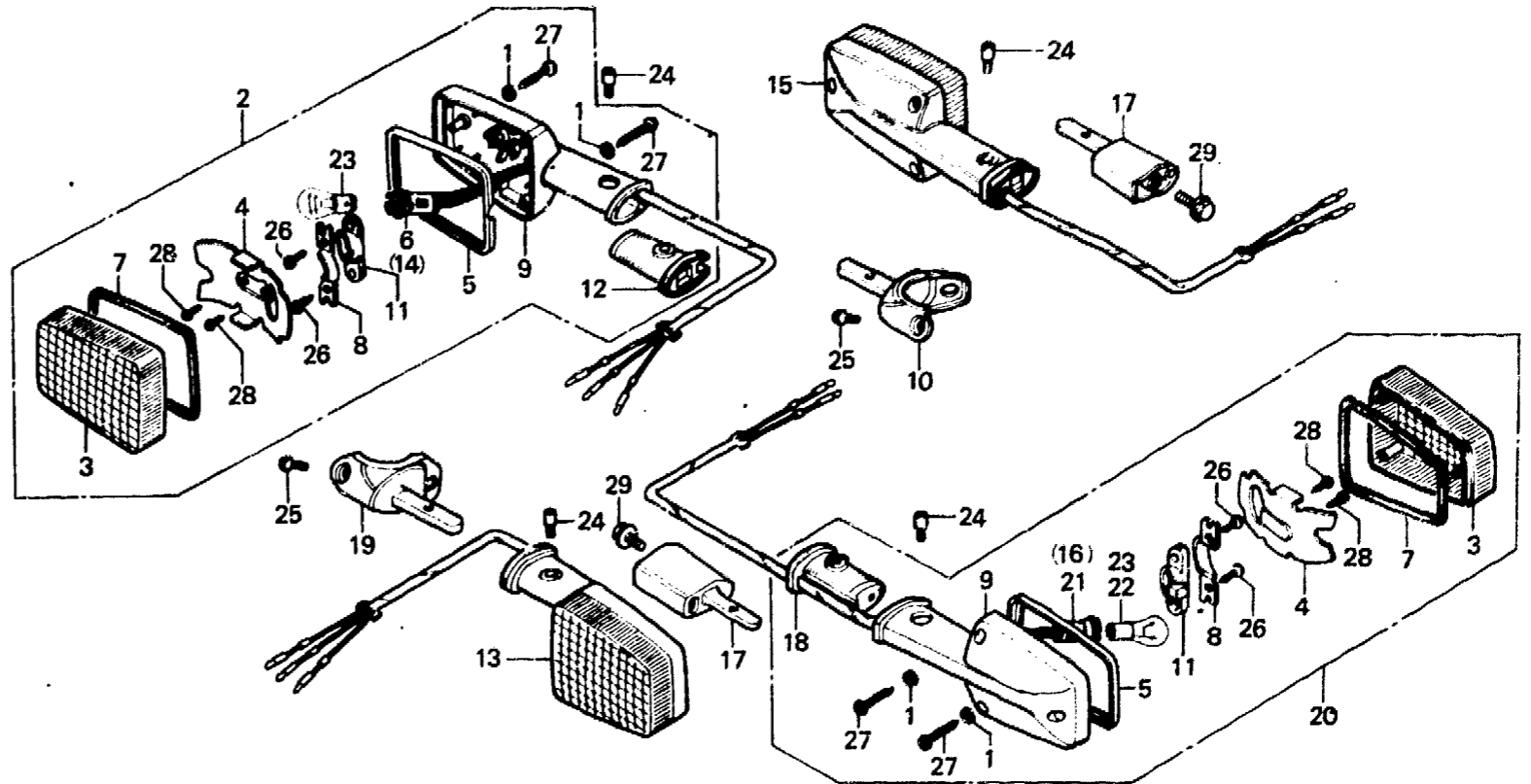
**F-26**

**Winker  
(CM,DK,DM,SA,U)**

**Clignotant  
(CM,DK,DM,SA,U)**

**Blinker  
(CM,DK,DM,SA,U)**

**Luz intermitente  
(CM,DK,DM,SA,U)**



B445-13

Service item	F.R.T.	Ref. No.	Part No.	Description	Reqd. No. CB750							Serial No.	Area code
					Fz	FA	Fa	Fc	F2c	Fd	F2d		
			33650-445-672	WINKER ASSY., L. RR.		1							CM
			33650-426-731	WINKER ASSY., L. RR. (12V 23W)			1	1	1	1	1		DK,DM,SA,U
			33650-445-631	WINKER ASSY., L. RR. (12V 23/8W STANLEY)			1	1					CM
		21	33655-431-781	SOCKET COMP., L. RR. WINKER	1	1	1	1	1	1	1		CM,DK,DM,SA,U
		22	34905-268-671	BULB, WINKER (12V23W)	2	2	2	2		2			CM,DK,DM,SA,U
		23	34905-268-671	BULB, WINKER (12V23W)			2	2	4	2	4		DK,DM,SA,U
			34906-313-671	BULB, STOP & TAILLIGHT (12V23/8W)	2								
			34905-425-671	BULB, WINKER (12V23/8W STANLEY)		2	2	2					CM
		24	90380-431-780	SCREW, OVAL, 5X8	4	4							CM,DK,DM,SA,U
			90380-445-630	SCREW, OVAL, 5X8			4	4	4	4	4		CM,DK,DM,SA,U
		25	93500-06012-0G	SCREW, PAN, 6X12	2								
						2							2110584 CM

**2-E16**

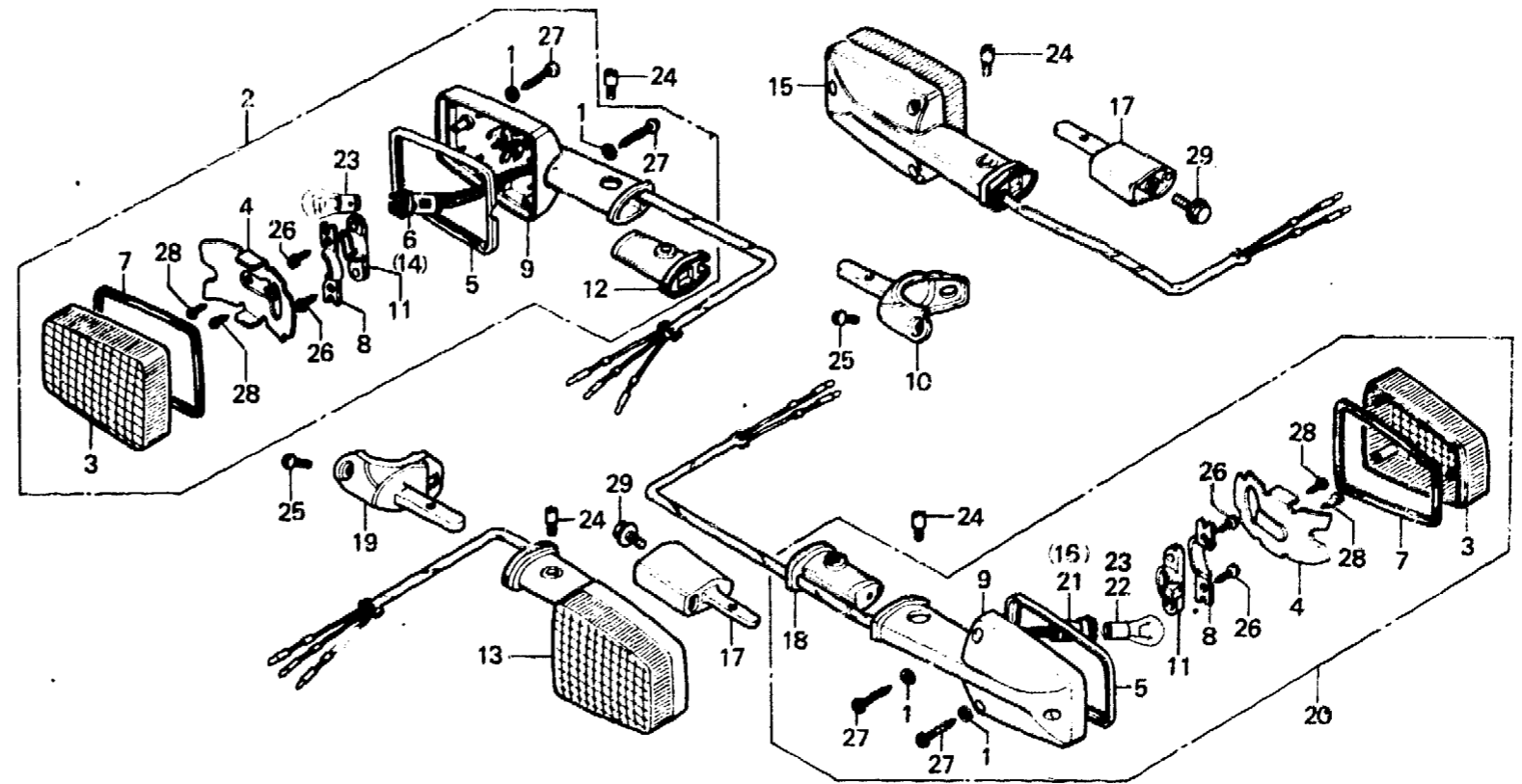
**F-26**

**Winker**  
**(CM,DK,DM,SA,U)**

**Clignotant**  
**(CM,DK,DM,SA,U)**

**Blinker**  
**(CM,DK,DM,SA,U)**

**Luz intermitente**  
**(CM,DK,DM,SA,U)**



B445-13

Service item	F.R.T.	Ref. No.	Part No.	Description	Reqd. No. CB750							Serial No.	Area code
					Fz	FA	Fb	Fc	F2c	Fd	F2d		
			93500-06010-0G	SCREW, PAN, 6X10		2						2110585	CM DK,DM,SA,U CM
		26	93901-24120	SCREW, TAPPING, 4X8		8	8	8	8	8	8		CM,DK,DM,SA,U
		27	93901-24680	SCREW, TAPPING, 4X25	12	12	12	12	12	12	12		CM,DK,DM,SA,U
		28	93901-32020	SCREW, TAPPING, 3X6	8	8	8	8	8	8	8		CM,DK,DM,SA,U
		29	95700-06012-00	BOLT, FLANGE, 6X12	2	2	2	2	2	2	2		CM,DK,DM,SA,U

1982.09.20

E

2-E16

**2-F1**

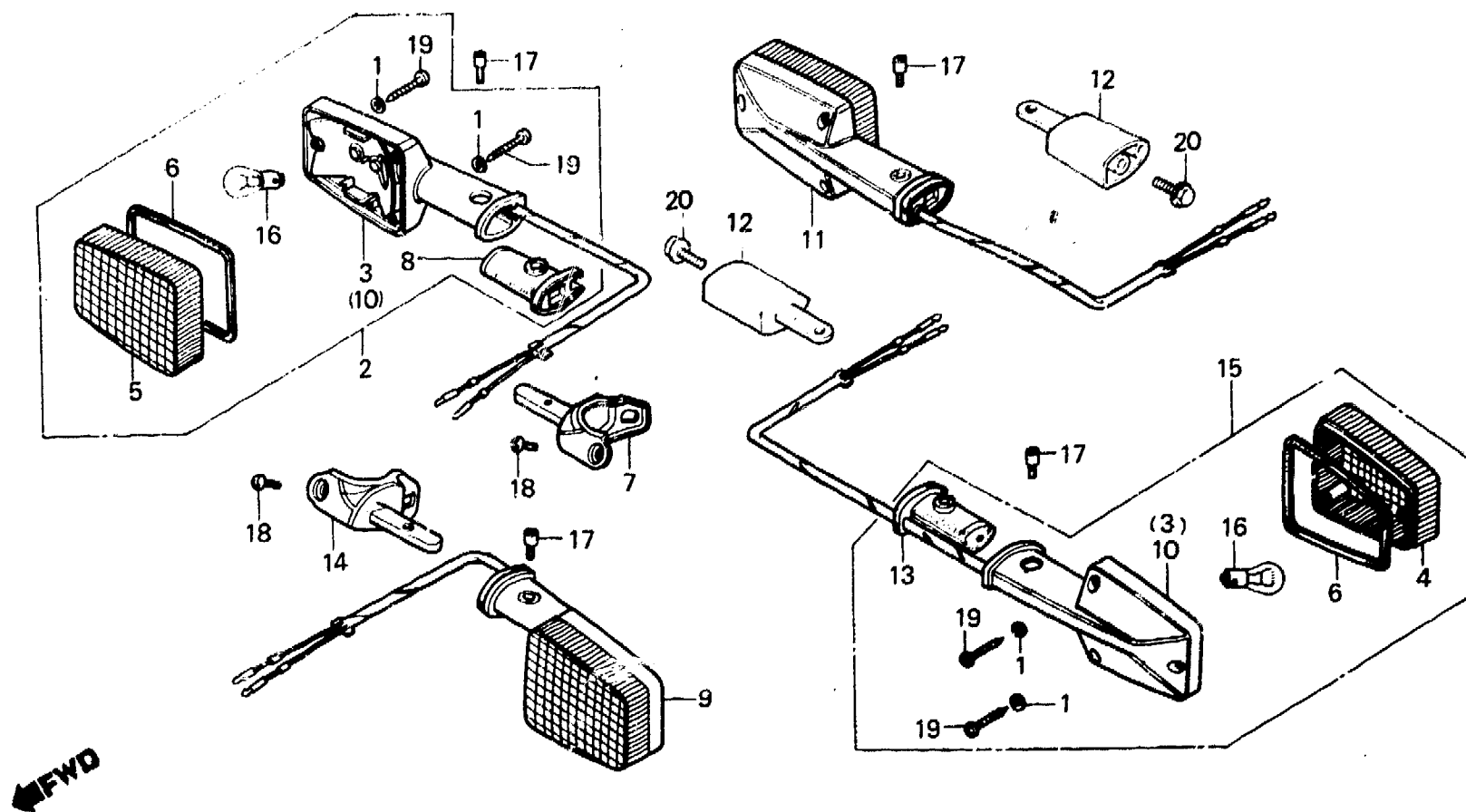
**F-26-1**

**Winker  
(E,ED,F,G,IT)**

**Clignotant  
(E,ED,F,G,IT)**

**Blinker  
(E,ED,F,G,IT)**

**Luz intermitente  
(E,ED,F,G,IT)**



B445-22

Service item	F.R.T.	Ref. No.	Part No.	Description	Reqd. No. CB750							Serial No.	Area code
					Fz	FA	Fb	Fc	F2c	Fb	F2b		
WINKER ASSY. (ADD 0.1 FOR EACH.) (INC. RELATIVE PART) (EXC. RELATED PARTS BELOW)	0.2	1	33318-567-003	WASHER	12	12	12	12	12	12		E,ED,F,G,IT	
		2	33400-425-611	WINKER ASSY., R. FR. (12V21W STANLEY)	1							E,ED,F,G	
BULB (WHEN SERVICING COMP., UNIT, F.R.T. IS 0.2.)	0.1		33400-438-841	WINKER ASSY., R. FR.				1		1		E,ED,F,G,IT	
			33400-426-631	WINKER ASSY., R. FR.			1			1		E,ED,F,G,IT	
		3	33401-438-601	BASE COMP., R. FR. WINKER	2							E,ED,F,G	
			33401-426-631	BASE COMP., R. FR. WINKER		2	2	2	2	2	2	E,ED,F,G,IT	
		4	33402-425-601	LENS, WINKER	2	2	2	2	2	2		E,ED,F,G,IT	
		5	33402-431-782	LENS, WINKER	2	2	2	2	2	2		E,ED,F,G,IT	
		6	33406-431-781	PACKING, WINKER LENS	4	4	4	4	4	4		E,ED,F,G,IT	
		7	33410-425-000	STAY, R. FR. WINKER	1							E,ED,F,G	
	33410-445-630	STAY, R. FR. WINKER			1	1	1	1	1		E,ED,F,G,IT		
	8	33417-425-000	RUBBER, FR. WINKER	2							E,ED,F,G		

**2-F2**

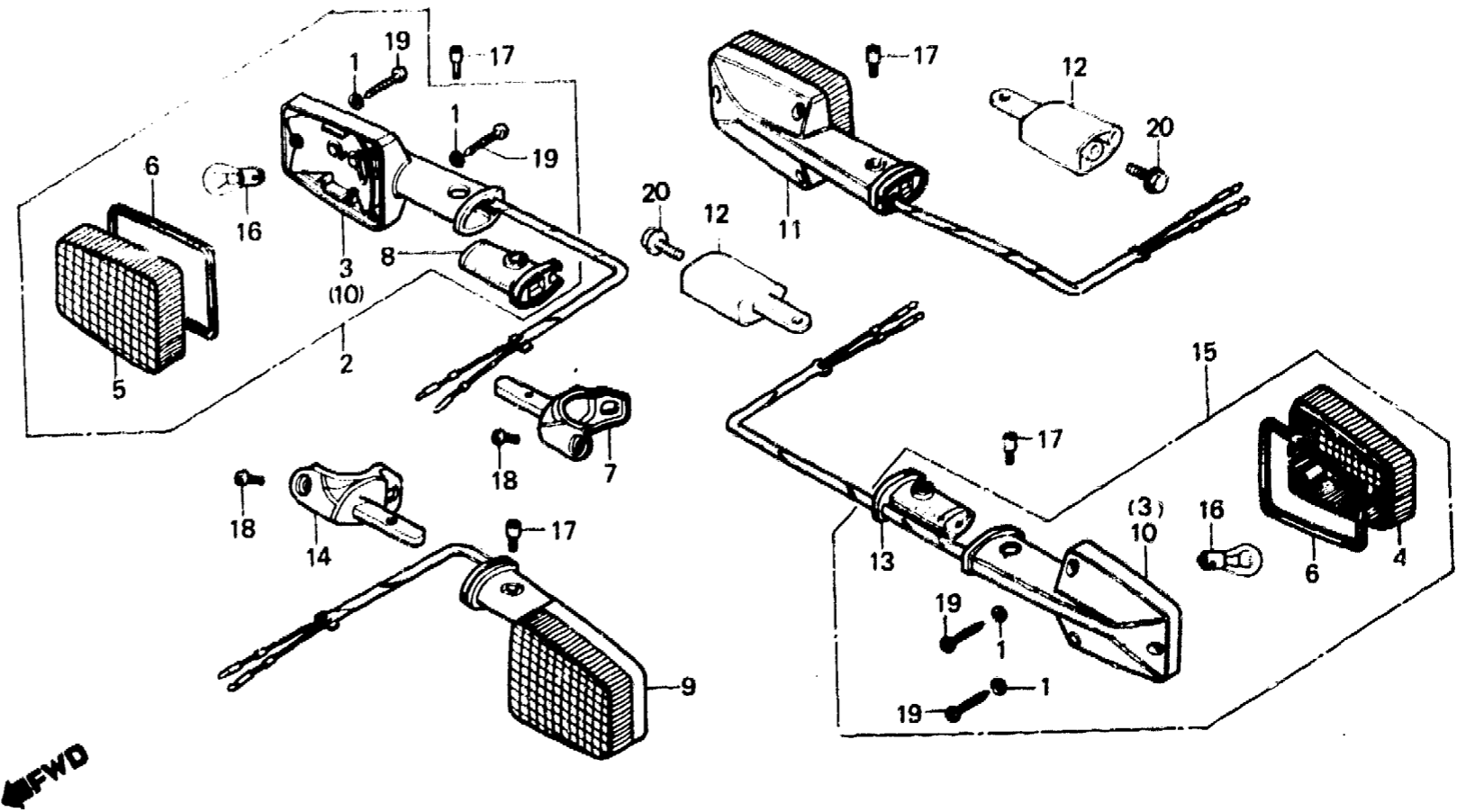
**F-26-1**

**Winker**  
(E,ED,F,G,IT)

**Clignotant**  
(E,ED,F,G,IT)

**Blinker**  
(E,ED,F,G,IT)

**Luz intermitente**  
(E,ED,F,G,IT)



B445-22

Service item	F.R.T.	Ref. No.	Part No.	Description	Reqd. No. C5760						Serial No.	Area code
					Fz	FA	Fb	Fc	F2c	Fd		
			33609-445-631	RUBBER, RR. WINKER MOUNTING					2		2	E,ED,F,G,IT
			33417-445-631	RUBBER, FR. WINKER MOUNTING						2	2	E,ED,F,G,IT
		9	33450-425-611	WINKER ASSY., L. FR. (12V21W STANLEY)	1							E,ED,F,G
			33450-438-841	WINKER ASSY., L. FR.					1		1	E,ED,F,G,IT
			33450-426-631	WINKER ASSY., L. FR.				1	1			E,ED,F,G,IT
		10	33451-438-601	BASE COMP., L. FR. WINKER	2							E,ED,F,G
			33451-426-631	BASE COMP., L. FR. WINKER				2	2	2	2	E,ED,F,G,IT
		11	33600-438-602	WINKER ASSY., R. RR. (12V 21W)	1							E,ED,F,G
			33600-426-631	WINKER ASSY., R. RR. (12V 23W)				1	1	1	1	E,ED,F,G,IT
		12	33605-438-000	STAY, RR. WINKER	2							E,ED,F,G

**2-F3**

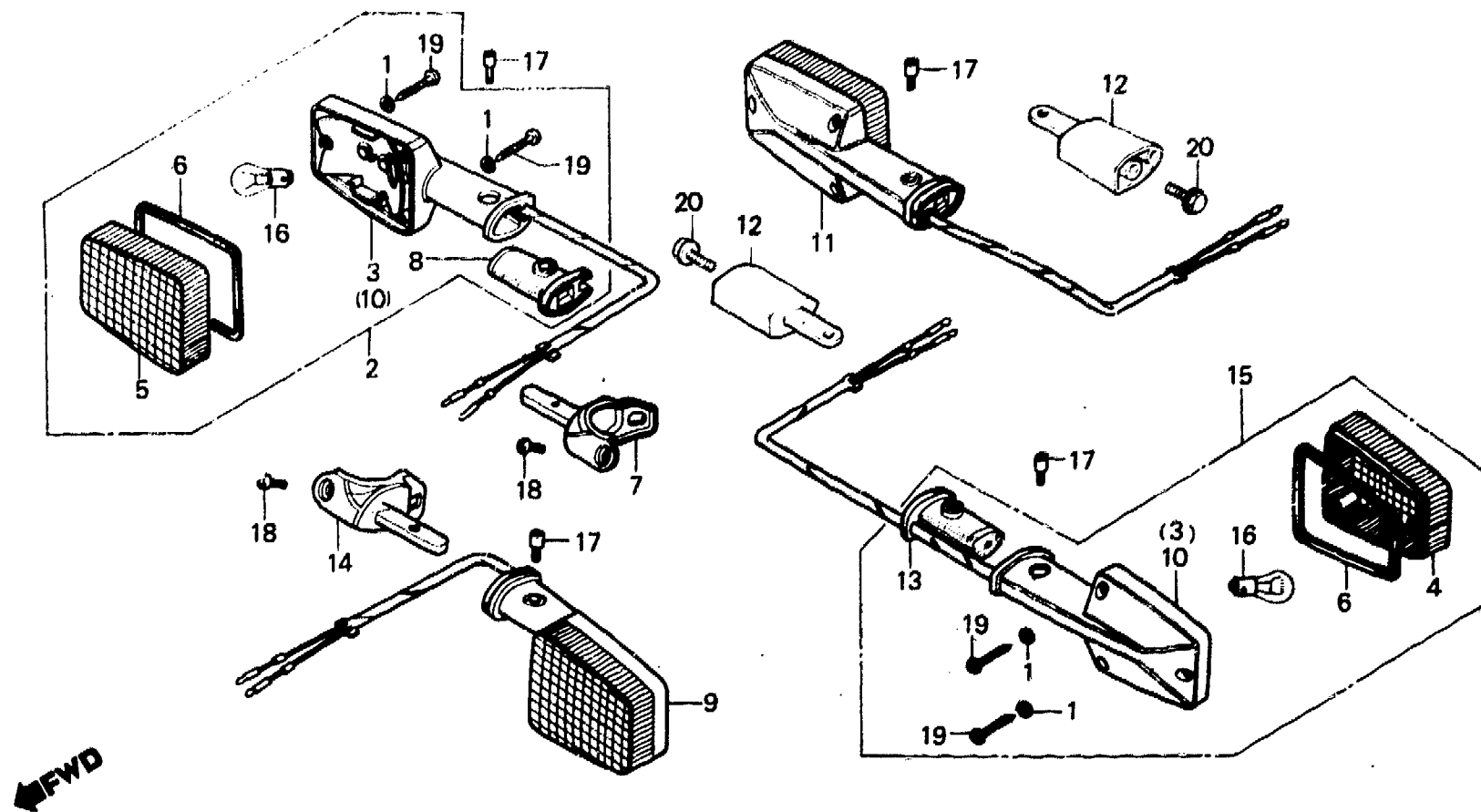
**F-26-1**

**Winker**  
(E,ED,F,G,IT)

**Clignotant**  
(E,ED,F,G,IT)

**Blinker**  
(E,ED,F,G,IT)

**Luz intermitente**  
(E,ED,F,G,IT)



B445-22

Service item	F.R.T.	Ref. No.	Part No.	Description	Reqd. No. CB750							Serial No.	Area code
					Fz	FA	Fb	Fc	F2c	Fd	F2d		
			33605-445-630	STAY, RR. WINKER			2	2	2	2	2		E,ED,F,G,IT
		13	33609-425-000	RUBBER, RR. WINKER MOUNTING		2							E,ED,F,G
			33609-445-631	RUBBER, RR. WINKER MOUNTING			2	2	2	2	2		E,ED,F,G,IT
		14	33610-425-000	STAY, L. FR. WINKER		1							E,ED,F,G
			33610-445-630	STAY, L. FR. WINKER			1	1	1	1	1		E,ED,F,G,IT
		15	33650-438-602	WINKER ASSY., L. RR. (12V 21W)		1							E,ED,F,G
			33650-426-631	WINKER ASSY., L. RR. (12V 23W)			1	1	1	1	1		E,ED,F,G,IT
		16	34908-634-611	BULB (12V21W)		4	4	4	4	4	4		E,ED,F,G,IT
		17	90380-431-780	SCREW, OVAL, 5X8		4							E,ED,F,G
			90380-445-630	SCREW, OVAL, 5X8			4	4	4	4	4		E,ED,F,G,IT
		18	93500-06010-0G	SCREW, PAN, 6X10		2	2	2	2	2	2		E,ED,F,G,IT
		19	93901-24680	SCREW, TAPPING, 4X25		12	12	12	12	12	12		E,ED,F,G,IT
		20	95700-06012-00	BOLT, FLANGE, 6X12		2	2	2	2	2	2		E,ED,F,G,IT

1982.09.20

E

2-F3



**2-F4**

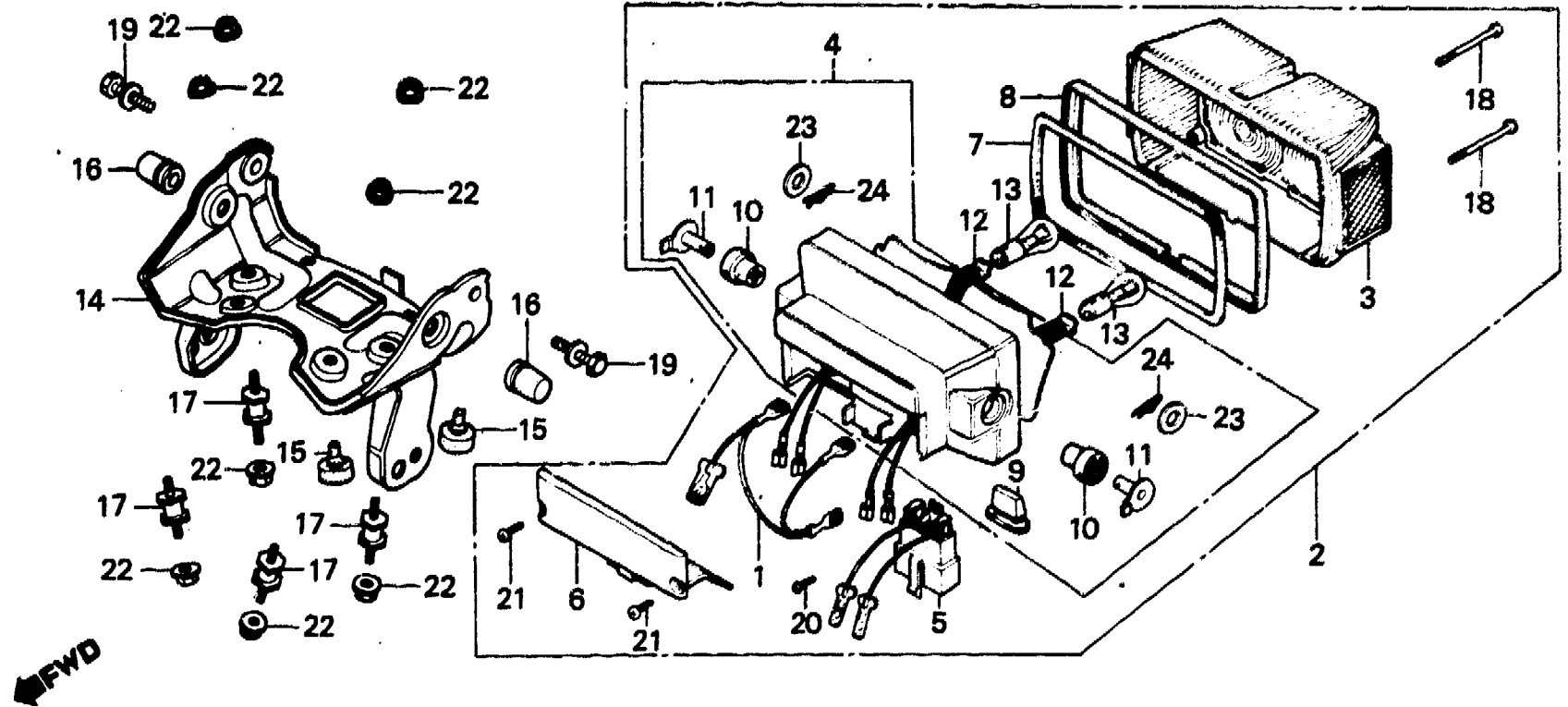
**F-27**

**Taillight**

**Feu arrière**

**Rücklicht**

**Luz trasera**



B438-36

Service item	F.R.T.	Ref. No.	Part No.	Description	Reqd. No. CB750							Serial No.	Area code
					Fz	FA	Fs	Fc	F2c	Fd	F2d		
TAILLIGHT UNIT	0.2	1	32101-422-003	CORD COMP., EARTH	1	1	1	1	1	1	1		
COUPLER COMP.		2	33701-422-603	TAILLIGHT UNIT (12V 21/5W)		1	1	1	1	1	1		E,ED,F,IT
LENS, TAILLIGHT	0.1		33701-422-614	TAILLIGHT UNIT (12V 21/5W)		1	1	1	1				G
BULB, TAILLIGHT			33701-422-673	TAILLIGHT UNIT (12V 32/3CP)	1	1	1	1					CM
BASE COMP., TAILLIGHT	0.3		33701-438-681	TAILLIGHT UNIT		1	1	1	1	1	1		DK,DM,SA,U
STAY, TAILLIGHT	0.4	3	33702-422-601	LENS B, TAILLIGHT		1	1	1	1	1	1		E,ED,F,IT
			33702-422-612	LENS A, TAILLIGHT		1	1	1	1				G
			33702-422-671	LENS, TAILLIGHT	1	1	1	1					CM
			33702-438-681	LENS, TAILLIGHT		1	1	1	1	1	1		DK,DM,SA,U
		4	33703-422-603	BASE COMP., TAILLIGHT		1	1	1	1	1	1		E,ED,F,G,IT
			33703-422-673	BASE COMP., TAILLIGHT	1	1	1	1	1	1	1		CM,DK,DM,SA,U
		5	33704-422-003	COUPLER COMP.	1	1	1	1	1	1	1		
		6	33708-422-003	COVER, TAILLIGHT	1	1	1	1	1	1	1		
		7	33709-422-003	PACKING, TAILLIGHT LENS	1	1	1	1	1	1	1		
		8	33710-422-003	RIM, TAILLIGHT	1	1	1	1	1	1	1		
		9	33711-422-013	RUBBER, SETTING	1	1	1	1	1	1	1		
		10	33713-422-013	RUBBER B, MOUNTING	2	2	2	2	2	2	2		

1982.09.20

E

2-F4

**2-F5**

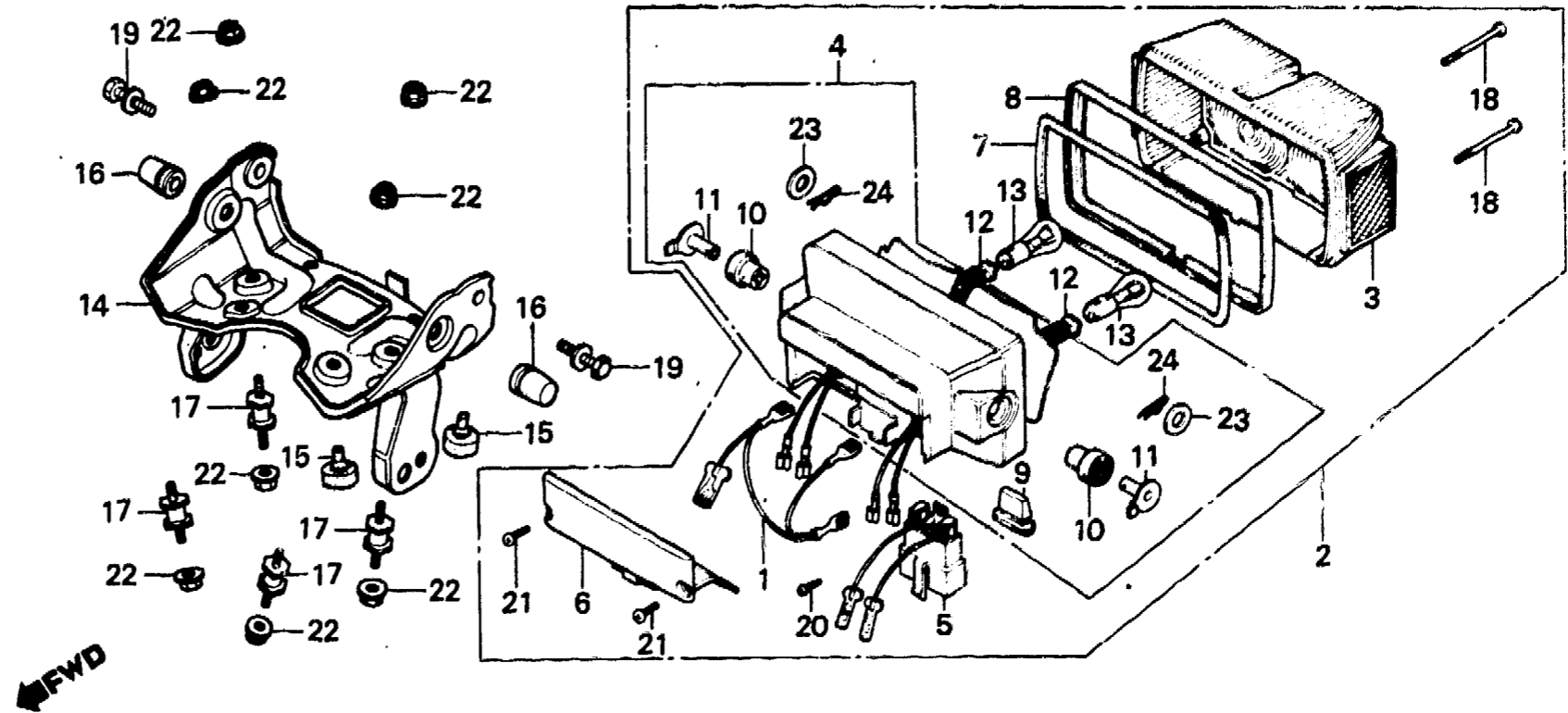
**F-27**

Taillight

Feu arrière

Rücklicht

Luz trasera



B438-26

Service item	F.R.T.	Ref. No.	Part No.	Description	Reqd. No. CB750							Serial No.	Area code
					Fz	FA	Fb	Fc	F2c	Fd	F2d		
		11	93715-422-013	COLLAR, TAILLIGHT MOUNTING	2	2	2	2	2	2	2		
		12	93718-422-003	CORD COMP., TAILLIGHT	2	2	2	2	2	2	2		
		13	34906-313-671	BULB, STOP & TAILLIGHT (12V23/8W)			2	2	2	2	2		DK,DM,SA,U
			34906-341-671	BULB, TAILLIGHT (12V32/3CP)	2	2	2	2					CM
			34911-634-611	BULB (12V 21/5W)		2	2	2	2	2	2		E,ED,F,G,IT
		14	80103-438-610	STAY, TAILLIGHT	1	1							
			80103-445-630	STAY, TAILLIGHT			1	1	1	1	1		
		15	80104-438-000	RUBBER, TAILLIGHT STAY MOUNTING			2	2	2	2	2		
		16	84104-422-000	RUBBER, RR. COWL CUSHION	2	2	2	2	2	2	2		
		17	85201-438-000	RUBBER, OIL COOLER MOUNTING	4	4	4	4	4	4	4		
		18	90147-147-671	SCREW, TAPPING, 4X60	4	4	4	4	4	4	4		
		19	93495-06020-07	BOLT-WASHER, 6X20	2	2	2	2	2	2	2		
		20	93901-22110	SCREW, TAPPING, 3X8	1	1	1	1	1	1	1		
		21	93901-24210	SCREW, TAPPING, 4X10	2	2	2	2	2	2	2		

1982.09.20

E

2-F5

**2-F6**

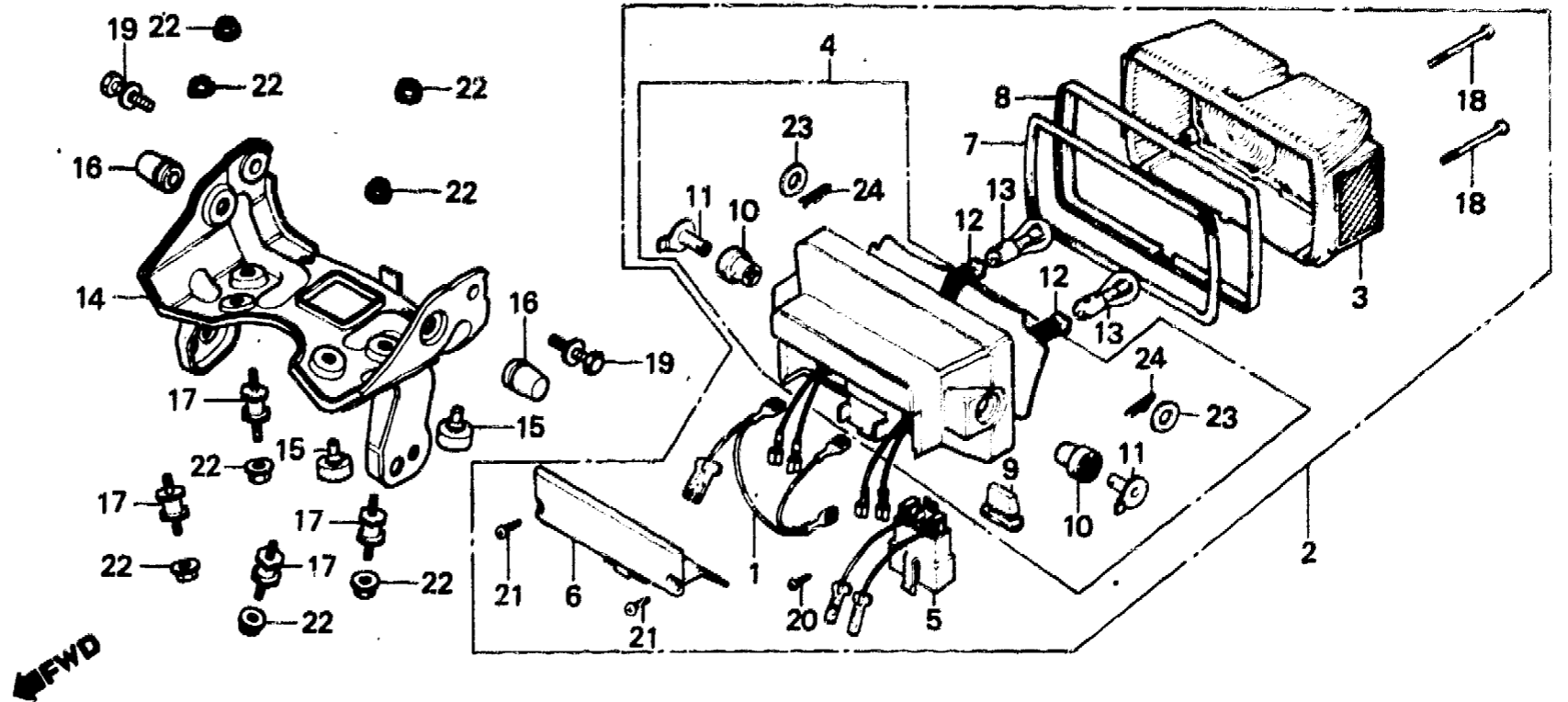
**F-27**

**Taillight**

**Feu arrière**

**Rücklicht**

**Luz trasera**



B438-36

Service item	F.R.T.	Ref. No.	Part No.	Description	Reqd. No. CB750								Serial No.	Area code
					Fz	FA	Fa	Fc	F2c	Fd	F2b			
		22	94050-06000	NUT, FLANGE, 6MM	8	8	8	8	8	8	8			
		23	94103-08800	WASHER, PLAIN, 6MM	2	2	2	2	2	2	2			
		24	94251-08000	PIN, LOCK, 8MM	2	2	2	2	2	2	2			

**2-F7**

**F-28**

**Wire harness • Ignition coil**

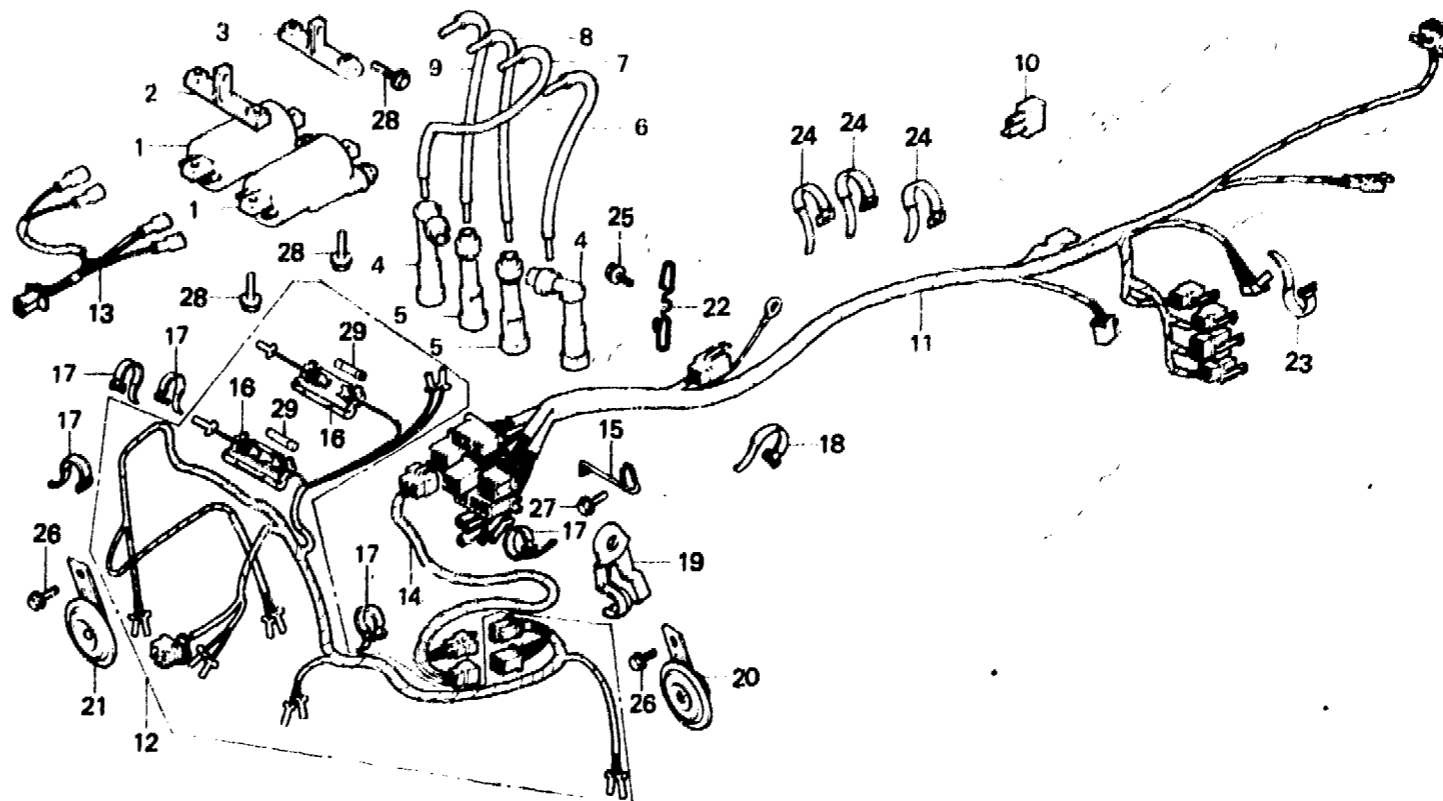
**Faisceau électrique •**

**Bobine d'allumage**

**Kabelbaum • Zündspule**

**Equipo de alambre •**

**Bobina de encendido**



B438-44A

Service item	F.R.T.	Ref. No.	Part No.	Description	Reqd. No. CB750							Serial No.	Area code
					Fz	FA	Fb	Fc	F2c	Fd	F2o		
COIL ASSY., IGNITION (ADD 0.1 FOR EACH.)	0.2	1	30500-422-003	COIL ASSY., IGNITION	2	2	2						CM DK,DM,E,ED,F,G SA,U,IT
CORD, HIGH TENSION (WHEN SERVICING COMP., UNIT, F.R.T. IS 0.3.)		2	30500-422-013 30501-425-000	COIL ASSY., IGNITION STAY, IGNITION COIL	1	1	1	2					CM CM DK,DM,E,ED,F,G SA,U
RECTIFIER ASSY., SILICON			30501-MA4-670	STAY, IGNITION COIL				1					CM
HARNESS A, SUB WIRE	2.0	3	30502-425-770	STAY, IGNITION COIL	1	1							CM
HARNESS A, SUB WIRE	0.3				1	1	1	1	1	1			DK,DM,E,ED,F,G SA,U,IT
HARNESS, WIRE	0.1							1					CM
HARNESS B, SUB WIRE		4	30501-MA4-670	STAY, IGNITION COIL	1								
HORN COMP.		5	30700-390-153	CAP ASSY. C, NOISE SUPPRESSOR	2	2	2	2	2	2	2		
		6	30710-405-153	CAP ASSY. B, NOISE SUPPRESSOR	2	2	2	2	2	2	2		
			30751-425-000	CORD, HIGH TENSION (1-1)	1	1	1						CM DK,DM,E,ED,F,G SA,U,IT

**2-F8**

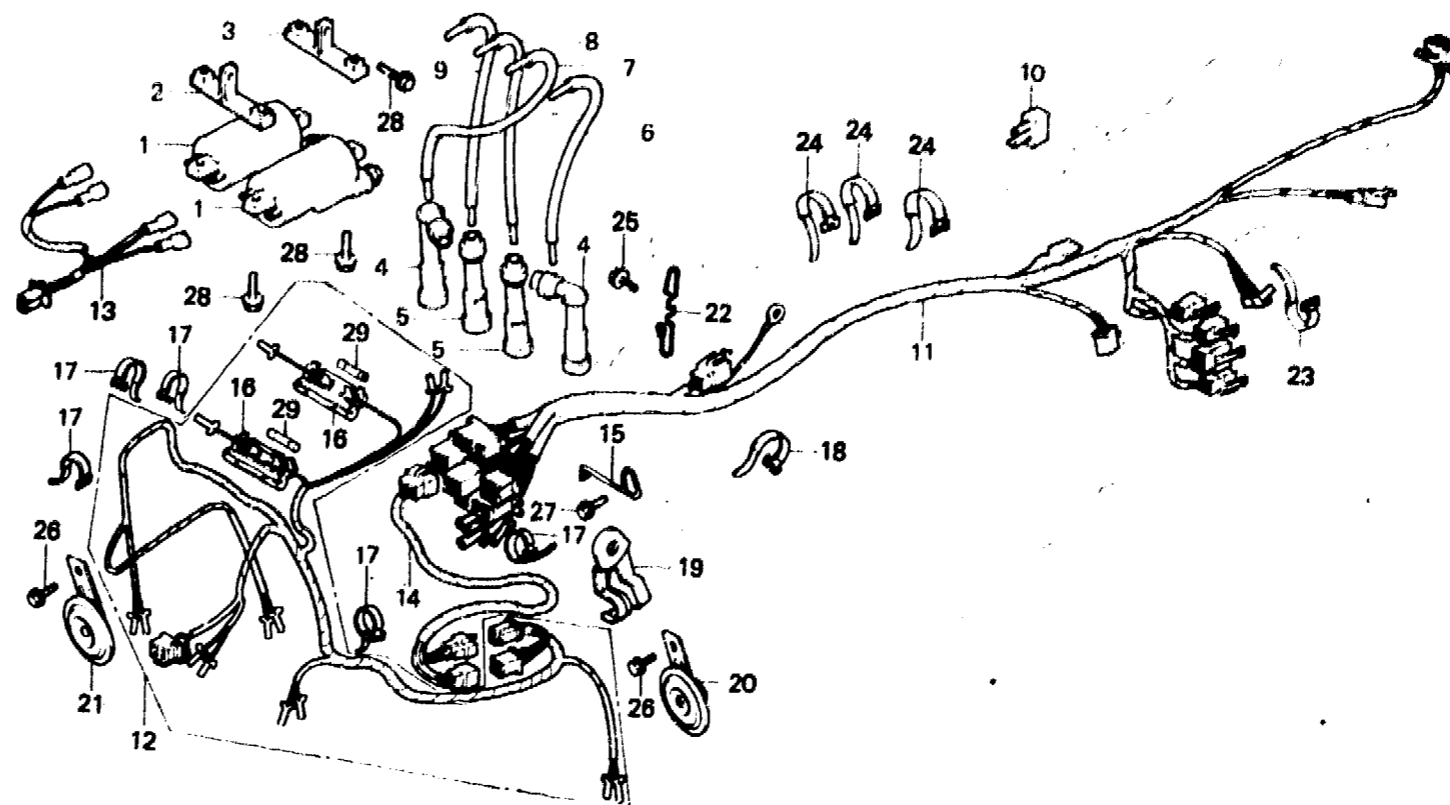
**F-28**

**Wire harness • Ignition coil**

**Faisceau électrique •  
Bobine d'allumage**

**Kabelbaum • Zündspule**

**Equipo de alambre •  
Bobina de encendido**



B438-44A

Service item	F.R.T.	Ref. No.	Part No.	Description	Revd. No. CB750							Serial No.	Area code
					Fz	FA	Fb	Fc	F2c	Fd	F2d		
		7	30751-425-010	CORD, HIGH TENSION (1-1)				1					CM
		8	30752-425-000	CORD, HIGH TENSION (2-4)	1	1	1	1	1	1	1		CM
			30753-425-000	CORD, HIGH TENSION (3-2)		1	1	1	1	1	1		DK,DM,E,ED,F,G SA,U,IT
		9	30753-425-010	CORD, HIGH TENSION (3-2)				1					CM
			30754-425-000	CORD, HIGH TENSION (4-3)	1	1	1	1	1	1	1		CM
			30754-425-010	CORD, HIGH TENSION (4-3)				1					CM
		10	31700-124-003	RECTIFIER ASSY., SILICON (STANLEY)	1	1	1	1	1	1	1		CM
			31700-124-008	RECTIFIER ASSY., SILICON (SHINDENGEN)	1	1	1	1	1	1	1		CM
		11	32100-MC3-630	HARNESS, WIRE						1	1		CM
			32100-445-670	HARNESS, WIRE	1								DK,DM,E,ED,F,G
			32100-445-770	HARNESS, WIRE		1	1	1					SA,U

1982.09.20

E

2-F8

**2-F9**

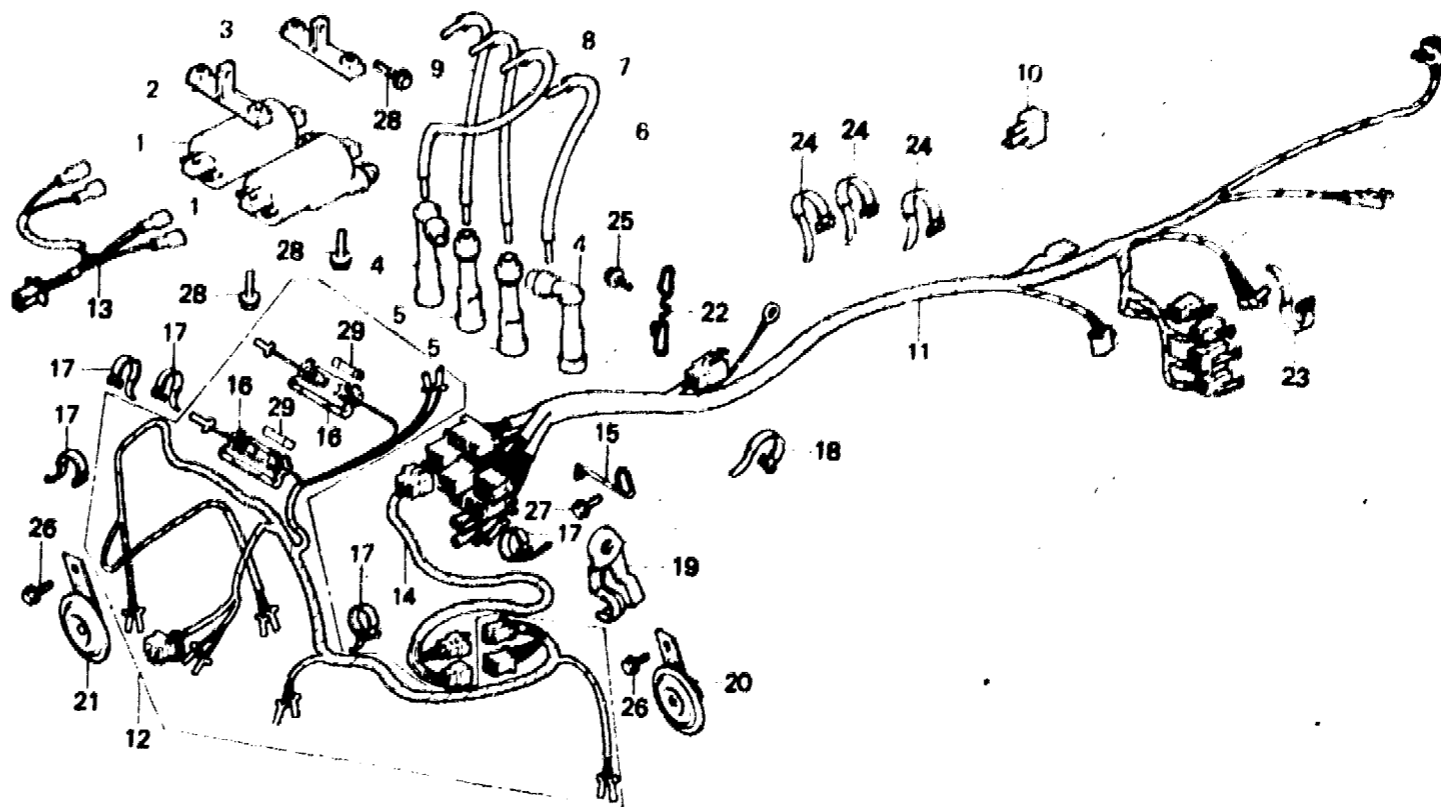
**F-28**

**Wire harness • Ignition coil**

**Faisceau électrique •  
Bobine d'allumage**

**Kabelbaum • Zündspule**

**Equipo de alambre •  
Bobina de encendido**



B438-44A

Service item	F.R.T.	Ref. No.	Part No.	Description	Reqd. No. CB750							Serial No.	Area code
					Fz	FA	Fa	Fc	F2c	Fd	F2d		
			32100-438-670	HARNESS, WIRE				1	1				DK,DM,E,ED,F,G SA,U
		12	32101-MB7-700	HARNESS A, SUB WIRE					1		1		
		13	32101-425-000	HARNESS A, SUB WIRE	1	1	1	1	1	1	1		
		14	32102-MB7-700	HARNESS B, SUB WIRE					1				
			32102-MC3-770	HARNESS B, SUB WIRE							1		
		15	32104-445-630	CLIP, WIRE HARNESS				1					
			32104-445-631	CLIP, WIRE HARNESS					1				CM
		16	32125-463-770	CASE, FUSE (5A)						2		2	
		17	32161-367-690	BAND, WIRE	1								
			32161-404-000	BAND B1, WIRE		1	1	1					CM DK,DM,E,ED,F,G SA,U,IT
						1	1	4	12	4	12		
		18	32161-438-000	BAND, WIRE						2		2	
		19	32174-438-000	HOLDER, WIRE HARNESS	1					1		1	

1982.09.20

E

2-F9

**2-F10**

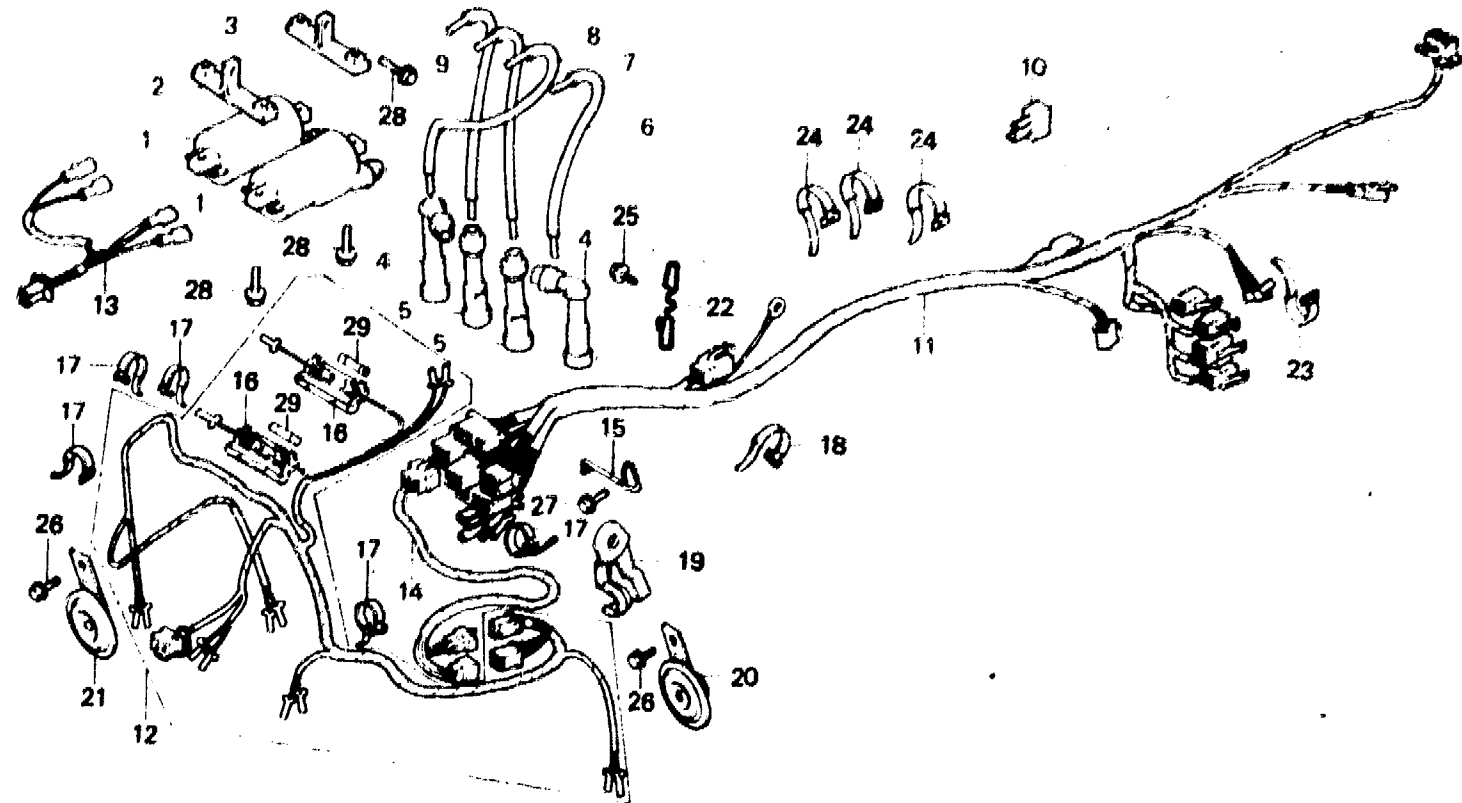
**F-28**

**Wire harness • Ignition coil**

**Faisceau électrique •  
Bobine d'allumage**

**Kabelbaum • Zündspule**

**Equipo de alambre •  
Bobina de encendido**



B438-44A

Service item	F.R.T.	Ref. No.	Part No.	Description	Reqd. No. CB750							Serial No.	Area code
					Fz	Fa	Fb	Fc	F2c	Fd	F2d		
		20	38110-438-004	HORN COMP. (HIGH)					1		1		DK,DM,SA,U
			38110-438-601	HORN COMP. (HIGH)					1		1		E,ED,F,G,IT
		21	38120-438-004	HORN COMP. (LOW)					1		1		DK,DM,SA,U
			38120-438-601	HORN COMP. (LOW)					1		1		E,ED,F,G,IT
		22	50174-438-000	GUIDE, WIRE HARNESS				1	1	1	1		DK,DM,E,ED,F,G SA,U,IT
		23	95014-61100	BAND A1, WIRE	1	1	1	1	1	1	1		
		24	95014-61200	BAND A2, WIRE	3	3	3	3	3	3	3		
		25	95700-06010-07	BOLT, FLANGE, 6X10				1	1	1	1		DK,DM,E,ED,F,G SA,U,IT
		26	95700-06012-00	BOLT, FLANGE, 6X12						2			
		27	95700-06016-07	BOLT, FLANGE, 6X16				1	1				CM DK,DM,E,ED,F,G SA,U
								1					
		28	95700-06020-00	BOLT, FLANGE, 6X20	6	6	6	6	6	6	6		
		29	98200-20500	FUSE B (5A)					4		4		

**2-F11**

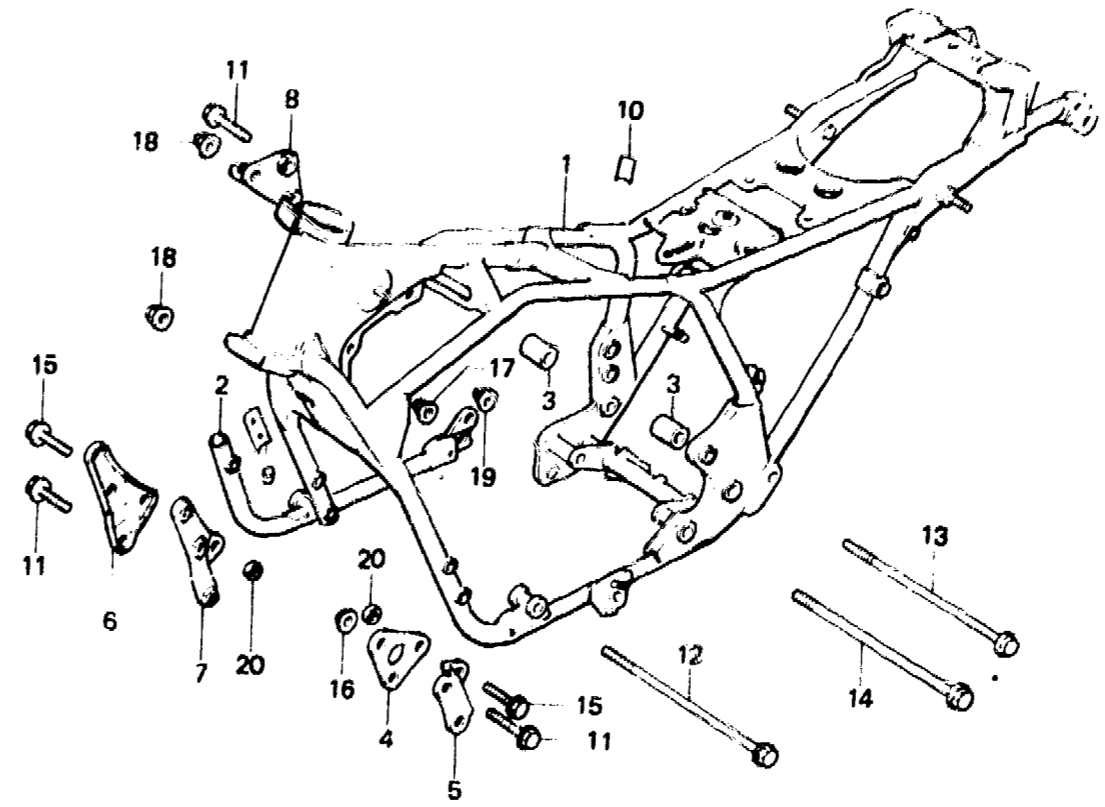
**F-29**

Frame body

Cadre

Rahmen

Cuerpo de cuadro



B445-14D

Service item	F.R.T.	Ref. No.	Part No.	Description	Reqd. No. CB750							Serial No.	Area code	
					Fz	FA	Fa	Fc	F2c	Fd	F2d			
BODY COMP., FRAME (F2D, F2C TYPE 8,8)	*8.5	1	50100-445-670ZA	BODY COMP., FRAME *NH-1*	1									
PIPE, JOINT	0.4		50100-445-770ZA	BODY COMP., FRAME *NH-1*		1						2110584	CM	
			50100-445-610ZA	BODY COMP., FRAME *NH-1*		1							E, ED, F, G	
			50100-445-650ZA	BODY COMP., FRAME *NH-1*		1							U	
			50100-445-680ZA	BODY COMP., FRAME *NH-1*		1							DK, DM, SA	
			50100-445-771ZA	BODY COMP., FRAME *NH-1*		1					2110585		CM	
			50100-445-630ZA	BODY COMP., FRAME *NH-1*			1	1					CM	
			50100-445-850ZA	BODY COMP., FRAME *NH-1*			1						DK, DM, E, F, SA	
			50100-445-860ZA	BODY COMP., FRAME *NH-1*			1						ED, G	
			50100-445-910ZA	BODY COMP., FRAME *NH-1*			1						U	
			50100-MC3-600ZA	BODY COMP., FRAME *NH-1*				1	1	1	1		E, E, ED, F, IT	
			50100-MC3-610ZA	BODY COMP., FRAME *NH-1*				1	1				ED, G	
			50100-MC3-650ZA	BODY COMP., FRAME *NH-1*				1	1	1	1		U	
			50100-MC3-680ZA	BODY COMP., FRAME *NH-1*				1	1	1	1		DK, DM, SA	
		2	50122-425-020	PIPE, JOINT	1	1	1							
			50122-425-020ZA	PIPE, JOINT *NH-1*		1	1	1	1	1	1			
		3	50327-425-000	COLLAR, R. ENGINE MOUNTING	2	2	2	2	2	2	2			
		4	50351-438-000	PLATE, FR. ENGINE HANGER	1	1	1							
			50351-438-000ZA											

1982.09.20

E

2-F11



**2-F12**

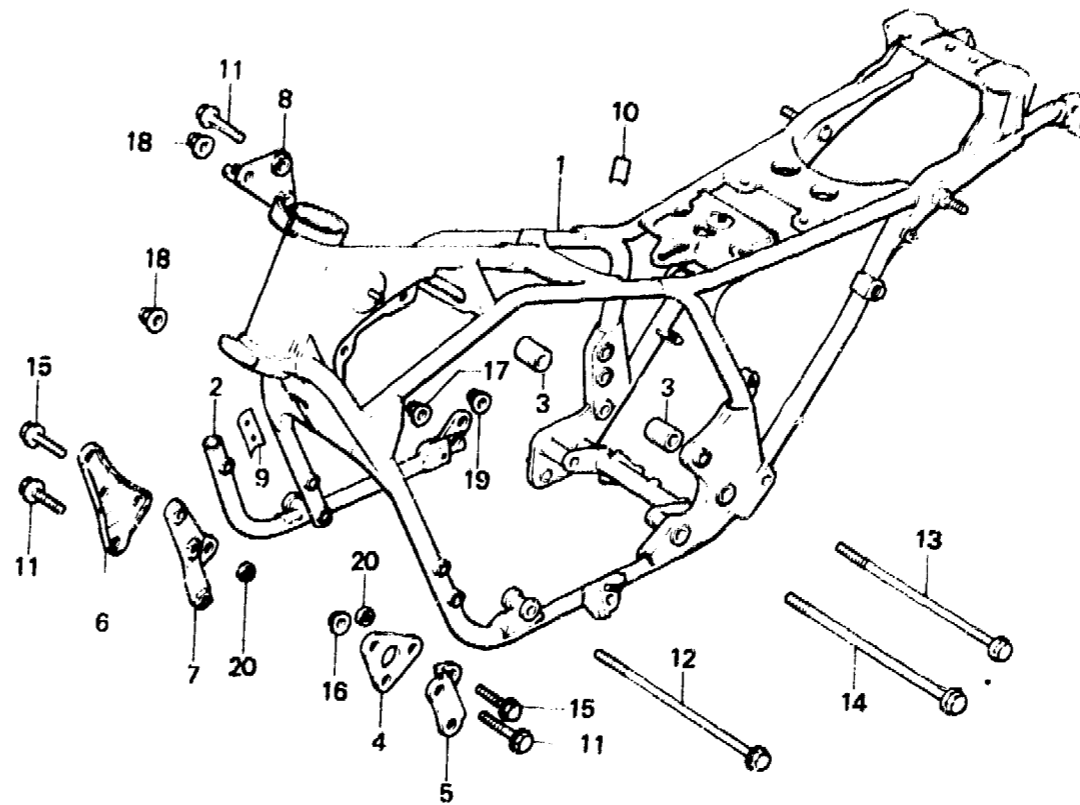
**F-29**

**Frame body**

**Cadre**

**Rahmen**

**Cuerpo de cuadro**



B445-14D

Service item	F.R.T.	Ref. No.	Part No.	Description	Reqd. No. CB750							Serial No.	Area code
					Fz	FA	Fb	Fc	F2c	Fd	F2d		
			50351-438-000ZA	PLATE, FR. ENGINE HANGER *NH-1*	1	1	1	1	1	1			
5			50352-438-000 50352-438-000ZA	PLATE, L. FR. ENGINE HANGER	1	1	1						
			50352-438-000ZA	PLATE, L. FR. ENGINE HANGER *NH-1*	1	1	1	1	1	1			
6			50353-438-000	PLATE B, ENGINE HANGER	1	1	1						
			50353-438-000ZA	PLATE B, ENGINE HANGER *NH-1*				1	1	1	1		
7			50354-438-000	PLATE A, ENGINE HANGER	1								
			50354-438-010	PLATE A, ENGINE HANGER		1						2104729	
						1						CM	
						1	1					CM	
												DK,DM,E,ED,F,G	
												SA,U	
								1	1	1	1	CM	
								1	1	1	1	DK,DM,E,ED,F,G	
												SA,U,IT	
8			50356-425-010	BRACKET, RR. ENGINE HANGER	1	1							

**2-F13**

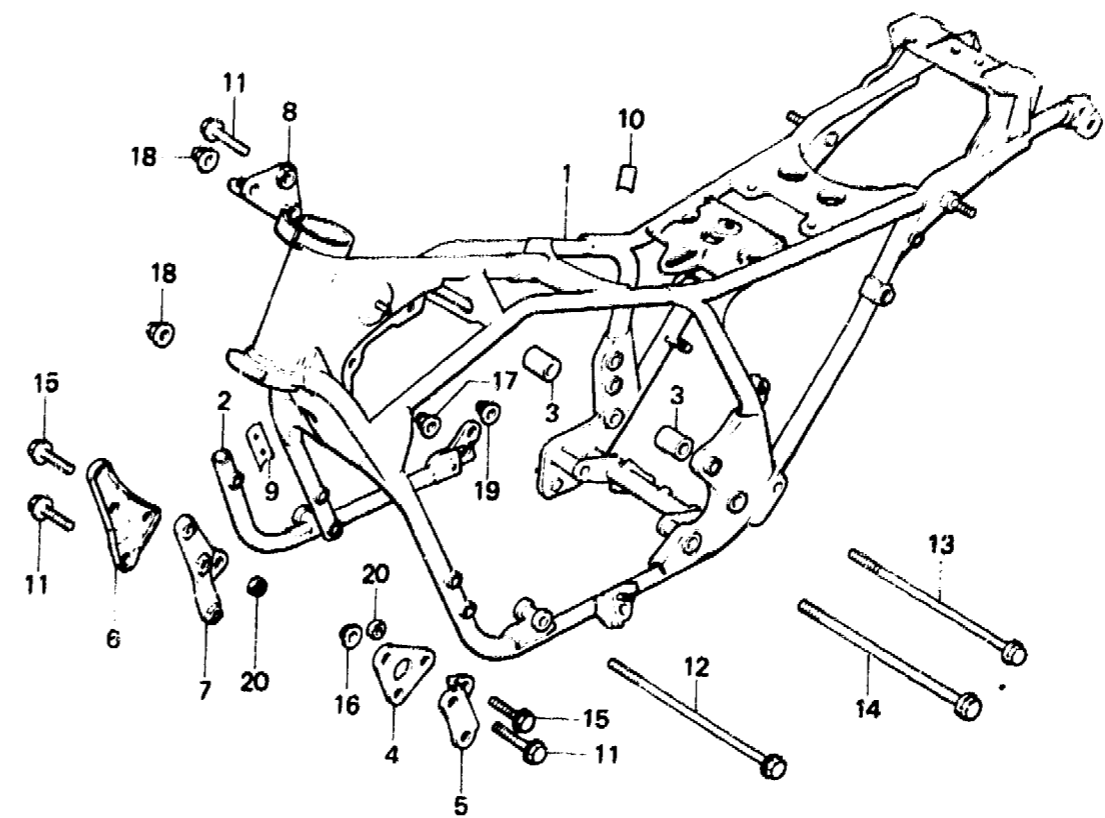
**F-29**

**Frame body**

**Cadre**

**Rahmen**

**Cuerpo de cuadro**



B445-14D

Service item	F.R.T.	Ref. No.	Part No.	Description	Reqd. No. CB750							Serial No.	Area code
					Fz	FA	Fb	Fc	F2c	Fd	F2d		
			50356-425-020	BRACKET, RR. ENGINE HANGER	1	1	1						CM
			50356-425-020ZA	BRACKET, RR. ENGINE HANGER *NH-1*	1	1	1	1	1	1			DK,DM,E,ED,F,G SA,U
		9	87501-445-611	PLATE, REGISTERED NUMBER	1								E,ED,F,G
			87501-445-612	PLATE, REGISTERED NUMBER	1								E,ED,F,G
			87501-445-860	PLATE, REGISTERED NUMBER			1	1	1	1	1		E,ED,F,G
		10	87506-MA5-610	MARK, BATTERY CAUTION			1	1	1	1	1		DK,DM,SA E,ED,G,U
			87506-MA5-670	MARK, BATTERY CAUTION			1						CM
			87506-MA5-720	MARK, BATTERY CAUTION (FRENCH)			1						CM,F
			87506-438-670	MARK, BATTERY CAUTION				1	1	1	1		CM,E,ED,G,U,IT
			87506-438-870	MARK, BATTERY CAUTION (FRENCH)				1					CM,F

1982.09.20

E

2-F13

**2-F14**

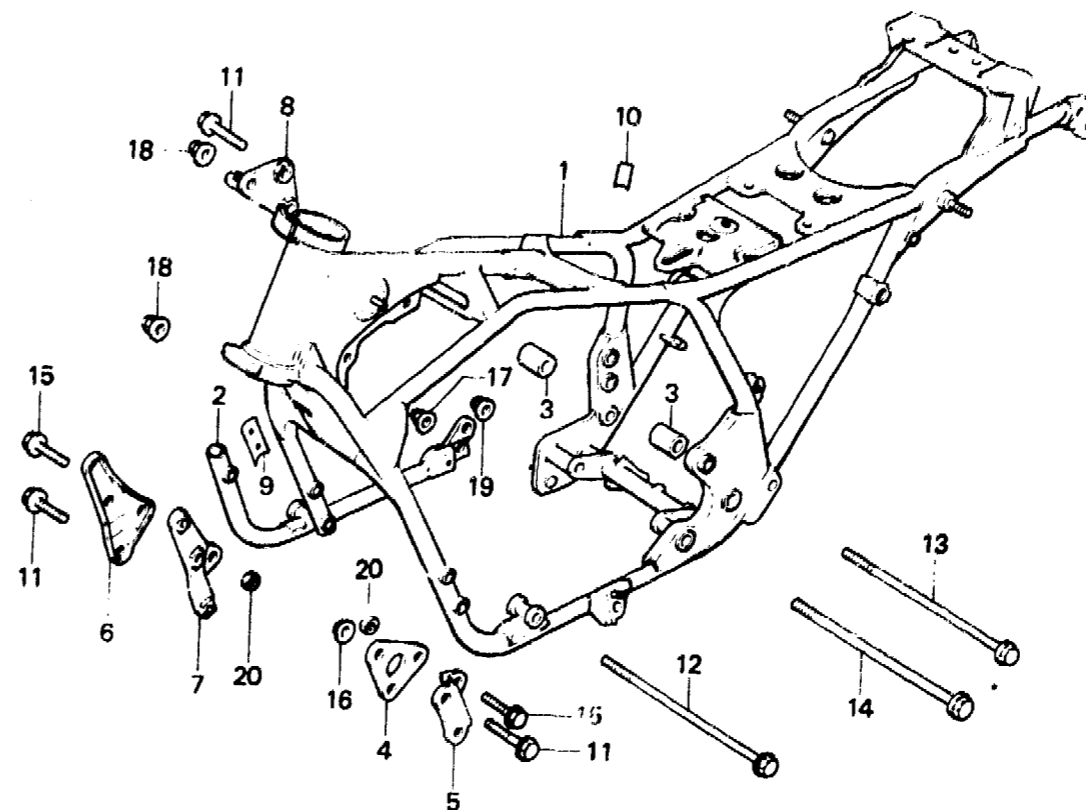
**F-29**

**Frame body**

**Cadre**

**Rahmen**

**Cuerpo de cuadro**



B445-14D

Service item	F.R.T.	Ref. No.	Part No.	Description	Reqd. No. CB750							Serial No.	Area code
					Fz	FA	Fb	Fc	F2c	Fd	F2d		
		11	90016-438-000	BOLT, SPECIAL FLANGE, 8X62	7								
			90016-425-010	BOLT, FLANGE, 8X62		7	7	7	7	7	7		
		12	90152-438-000	BOLT, ENGINE HANGER, 10X325	1								
			90152-425-000	BOLT, FLANGE, 10X330		1	1	1	1	1	1		
		13	90156-438-000	BOLT, ENGINE HANGER, 10X280	1								
			90156-425-830	BOLT, ENGINE HANGER, 10X284		1	1	1	1	1	1		
		14	90157-445-000	BOLT, ENGINE HANGER LOWER, 12X404	1								
			90157-445-770	BOLT, ENGINE HANGER LOWER, 12X410		1	1	1					CM
			90157-445-610	BOLT, ENGINE HANGER LOWER, 12X365		1	1	1	1	1	1		DK,DM,E,ED,F,G SA,U,IT
		15	90158-438-000	BOLT, SPECIAL FLANGE, 10X50	2								
			95800-10050-00	BOLT, FLANGE, 10X50		2							2105979 CM

1982.09.20

E

2-F14

**2-F15**

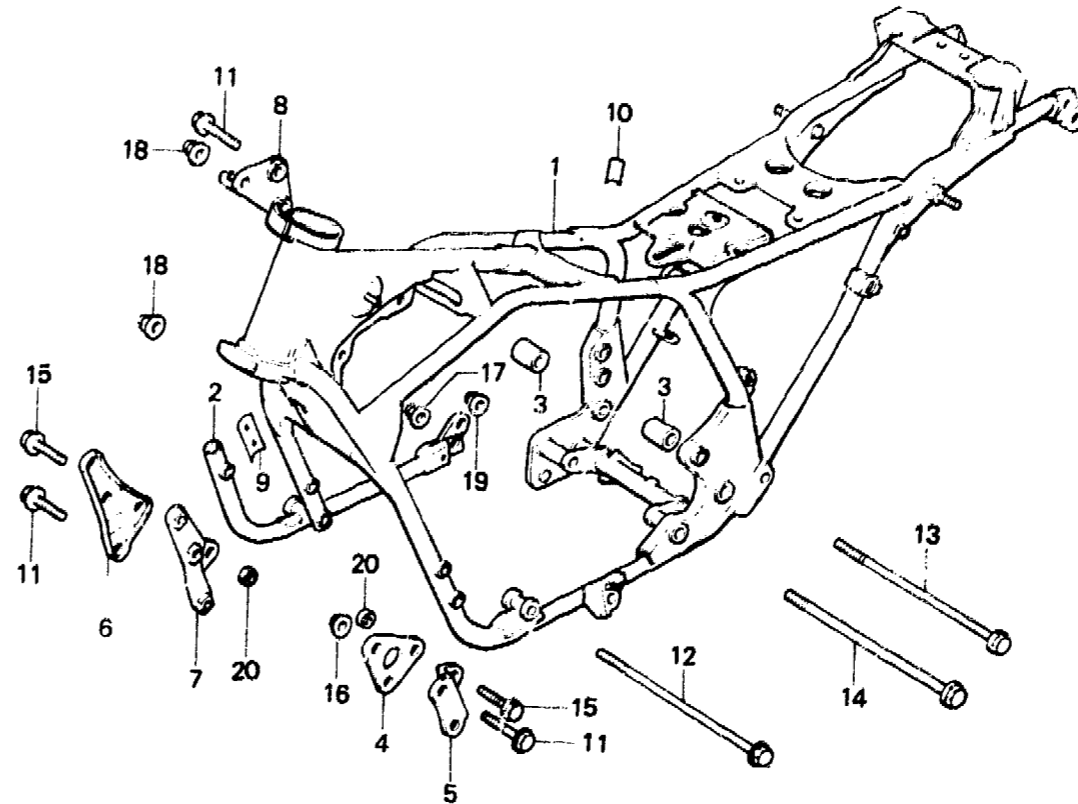
**F-29**

Frame body

Cadre

Rahmen

Cuerpo de cuadro



B445-14D

Service item	F.R.T.	Ref. No.	Part No.	Description	Reqd. No. CB750							Serial No.	Area code
					Fz	FA	Fb	Fc	F2c	Fd	F2D		
			95800-10060-00	BOLT, FLANGE, 10X60		2						2105980	CM DK,DM,E,ED,F,G SA,U,IT CM
		16	90202-425-870	NUT, FLANGE, 8MM	2	2	2	2	2	2	2		
		17	90208-438-000	NUT, FLANGE CAP, 8MM	2								
			94050-08000	NUT, FLANGE, 8MM		2	2	2	2	2	2		
		18	90210-438-000	NUT, FLANGE CAP, 10MM	2								
			94050-10000	NUT, FLANGE, 10MM		2	2	2	2	2	2		
		19	90212-438-000	NUT, FLANGE CAP, 12MM	1								
			94050-12000	NUT, FLANGE, 12MM		1	1	1	1	1	1		
		20	94030-10000	NUT, HEX., 10MM	2	2	2	2	2	2	2		

1982.09.20

E

2-F15

**2-F16**

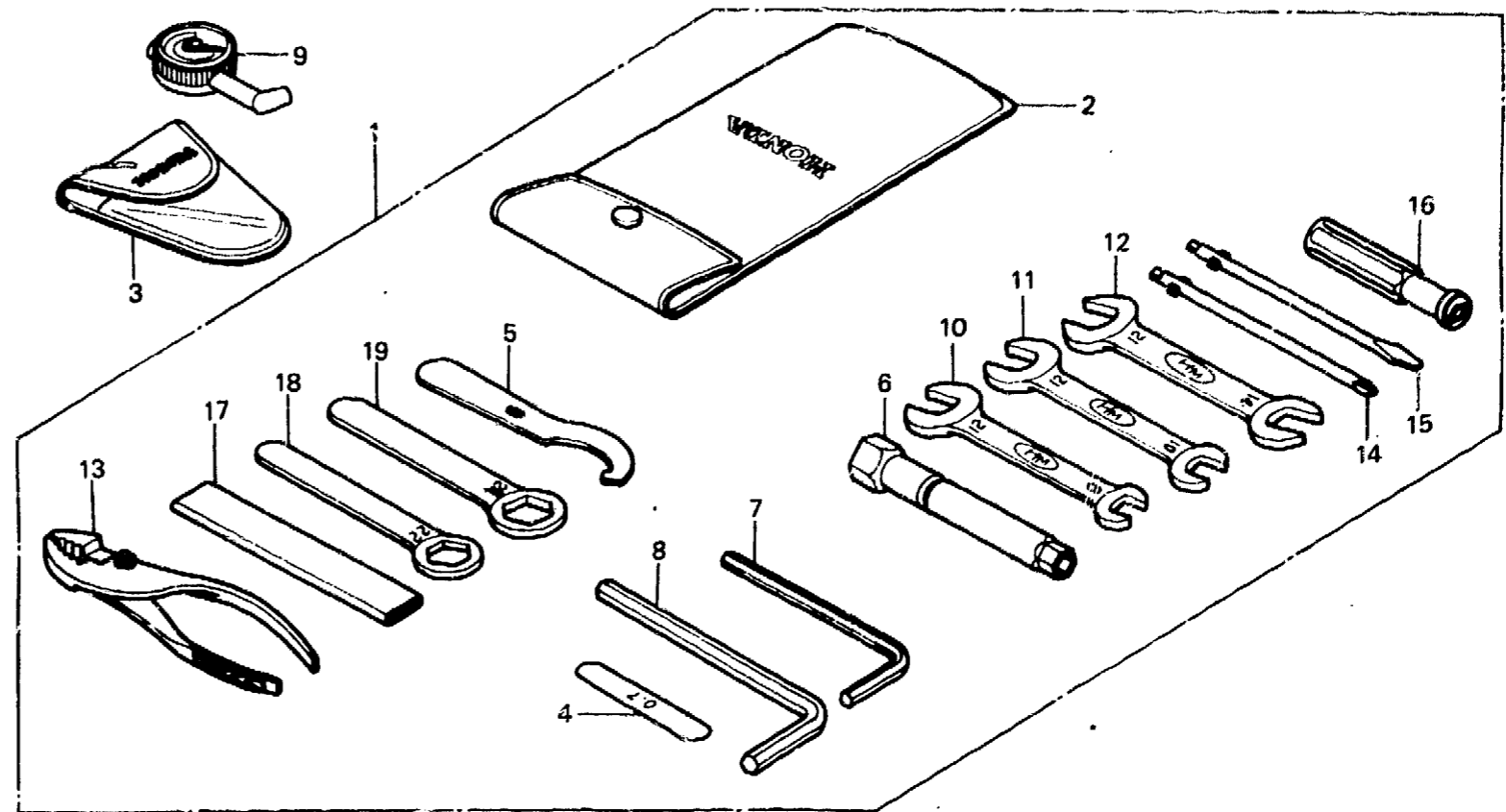
**F-30**

**Tool**

**Outils**

**Werkzeug**

**Herramientas**



B438-39A

Service item	F.R.T.	Ref. No.	Part No.	Description	Reqd. No. CB750							Serial No.	Area code
					Fz	FA	Fb	Fc	F2c	Fd	F2d		
		1	89010-438-000	TOOL SET	1								
			89010-445-770	TOOL SET		1	1	1	1	1	1		
		2	89101-300-010	BAG, TOOL	1	1	1	1	1	1	1		
		3	89102-469-003	BAG, AIR PRESSURE GAUGE			(1)	(1)					CM
		4	89103-371-000	GAUGE, FEELER, 0.7	1	1	1	1	1	1	1		
		5	89215-404-670	SPANNER, PIN	1	1	1	1	1	1	1		
		6	89216-438-000	WRENCH, PLUG	1	1	1	1	1	1	1		
		7	89221-371-000	WRENCH, HEX., 6MM	1	1	1	1	1	1	1		
		8	89222-371-000	WRENCH, HEX., 8MM	1								
		9	89301-461-003	GAUGE, AIR PRESSURE			(1)	(1)					CM
		10	99001-08120	SPANNER, 8X12	1	1	1	1	1	1	1		
		11	99001-10120	SPANNER, 10X12	1	1	1	1	1	1	1		
		12	99001-14170	SPANNER, 14X17	1	1	1	1	1	1	1		
		13	99002-13500	PLIERS, 135	1	1	1	1	1	1	1		
		14	99003-10000	DRIVER 2, PLUS SCREW	1	1	1	1	1	1	1		
		15	99003-30000	DRIVER 2, MINUS SCREW	1	1	1	1	1	1	1		
		16	99003-50000	GRIP	1	1	1	1	1	1	1		

1982.09.20

E

2-F16

**2-G1**

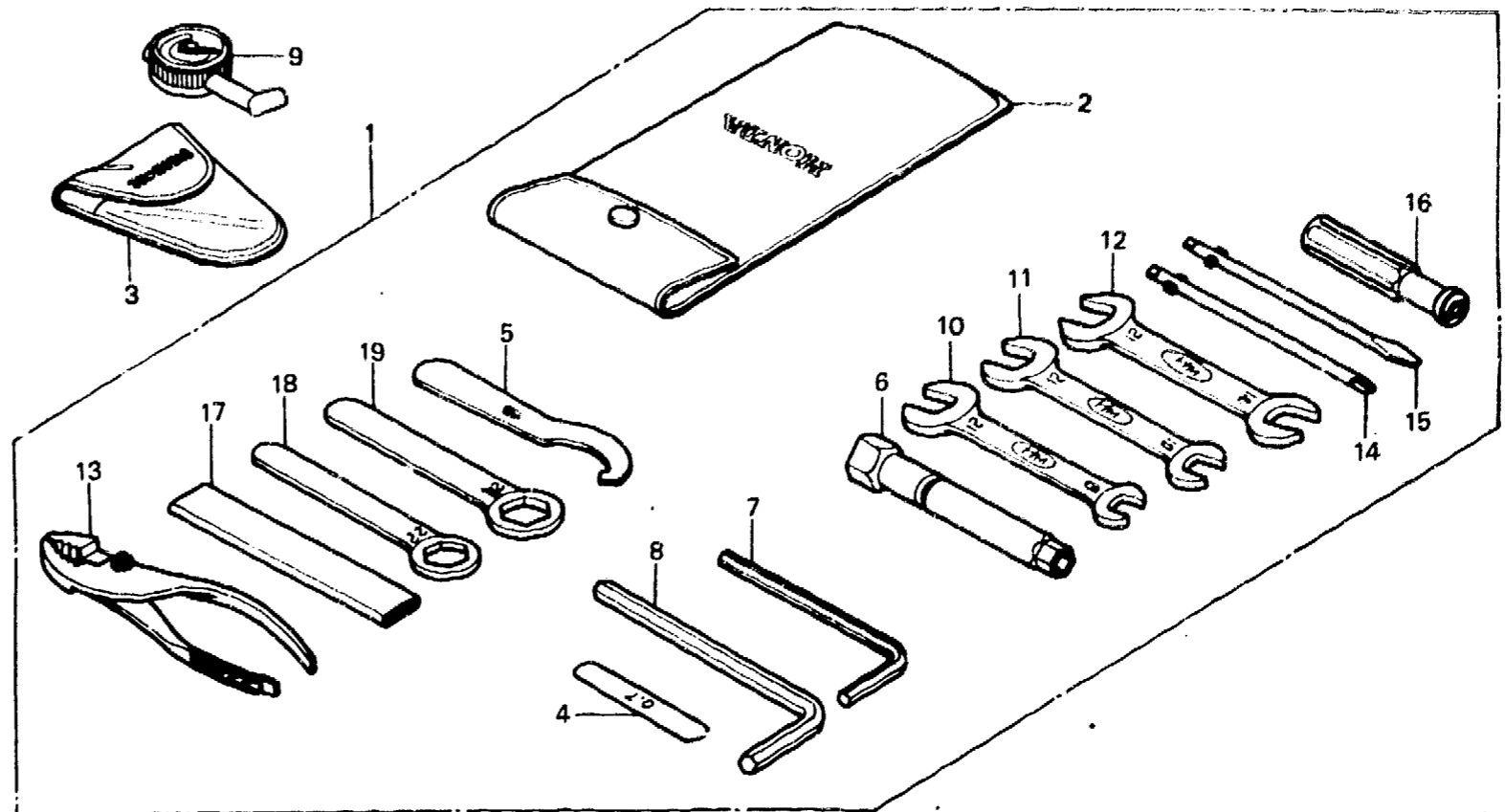
**F-30**

**Tool**

**Outils**

**Werkzeug**

**Herramientas**



B438-39A

Service item	F.R.T.	Ref. No.	Part No.	Description	Reqd. No. CB750							Serial No.	Area code
					Fz	FA	Fb	Fc	F2c	Fd	F2d		
		17	99006-12000	HANDLE, EYE WRENCH, 120MM	1	1	1	1	1	1	1		
		18	99006-22000	WRENCH, EYE, 22MM	1	1	1	1	1	1	1		
		19	99006-24000	WRENCH, EYE, 24MM	1	1	1	1	1	1	1		

1982.09.20

E

2-G1

**2-G2**

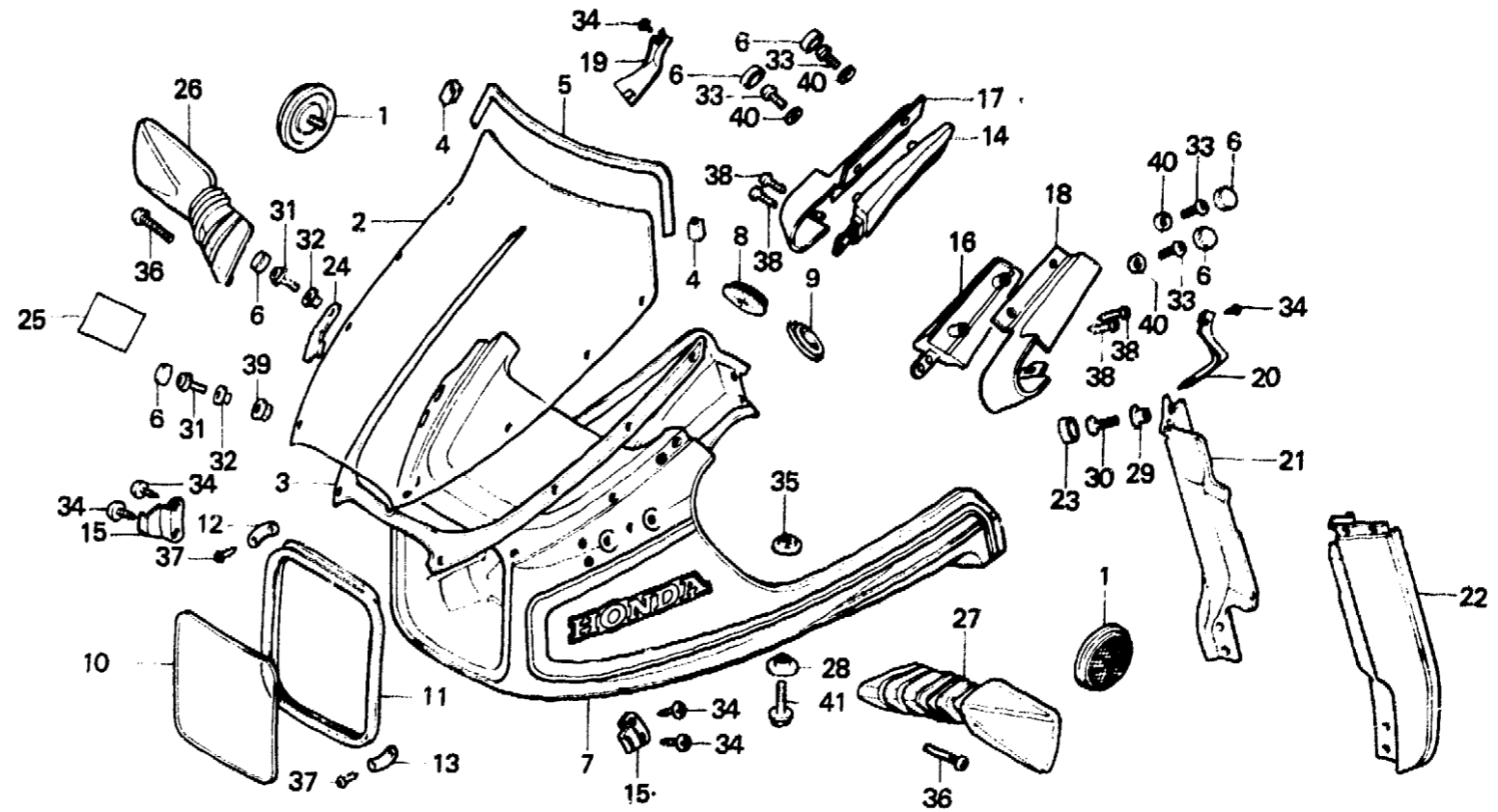
**F-31**

**Fairing  
(CB750F2c·F2D)**

**Profilage  
(CB750F2c·F2D)**

**Verkleidung  
(CB750F2c·F2D)**

**Carena  
(CB750F2c·F2D)**



BMC3-5

Service item	F.R.T.	Ref. No.	Part No.	Description	Reqd. No.				Serial No.	Area code	
					Fz	FA	Fb	Fc			F2c
SCREEN, WIND	0.2	1	33741-413-003	REFLECTOR, FR. REFLEX (STANLEY)					2	2	DK, DM, E, ED, SA, U, IT
RUBBER, HEADLIGHT SHIELD		2	64100-MA2-000	SCREEN, WIND					1	1	
PILLAR, R.		3	64101-MA2-000	RUBBER, SCREEN BASE					1	1	
PILLAR, L.		4	64102-438-850	CLIP, SCREEN MOULDING					2	2	
FAIRING COMP.	0.5	5	64105-438-850	MOULDING, WIND SCREEN					1	1	
SHIELD, HEADLIGHT	0.1	6	64109-438-850	CAP					8	8	
SHIELD, R. LEG		7	64200-MC3-730ZA	FAIRING COMP. *NH-1*					1		
SHIELD, L. LEG			64200-MC3-730ZB	FAIRING COMP. *NH-121P-A*					1		
			64200-MC3-840ZA	FAIRING COMP. *R-110*						1	
			64200-MC3-840ZB	FAIRING COMP. *NH-121P-A*						1	
		8	64218-MA2-000	GROMMET, HEADLIGHT CORD					1	1	
		9	64219-MA2-000	PLUG, HEADLIGHT CASE					1	1	
		10	64220-MB7-710	SHIELD, HEADLIGHT					1	1	
		11	64221-MA2-000	RUBBER, HEADLIGHT SHIELD					1	1	
		12	64222-MA2-000	PLATE, HEADLIGHT RUBBER UPPER					2	2	

**2-G3**

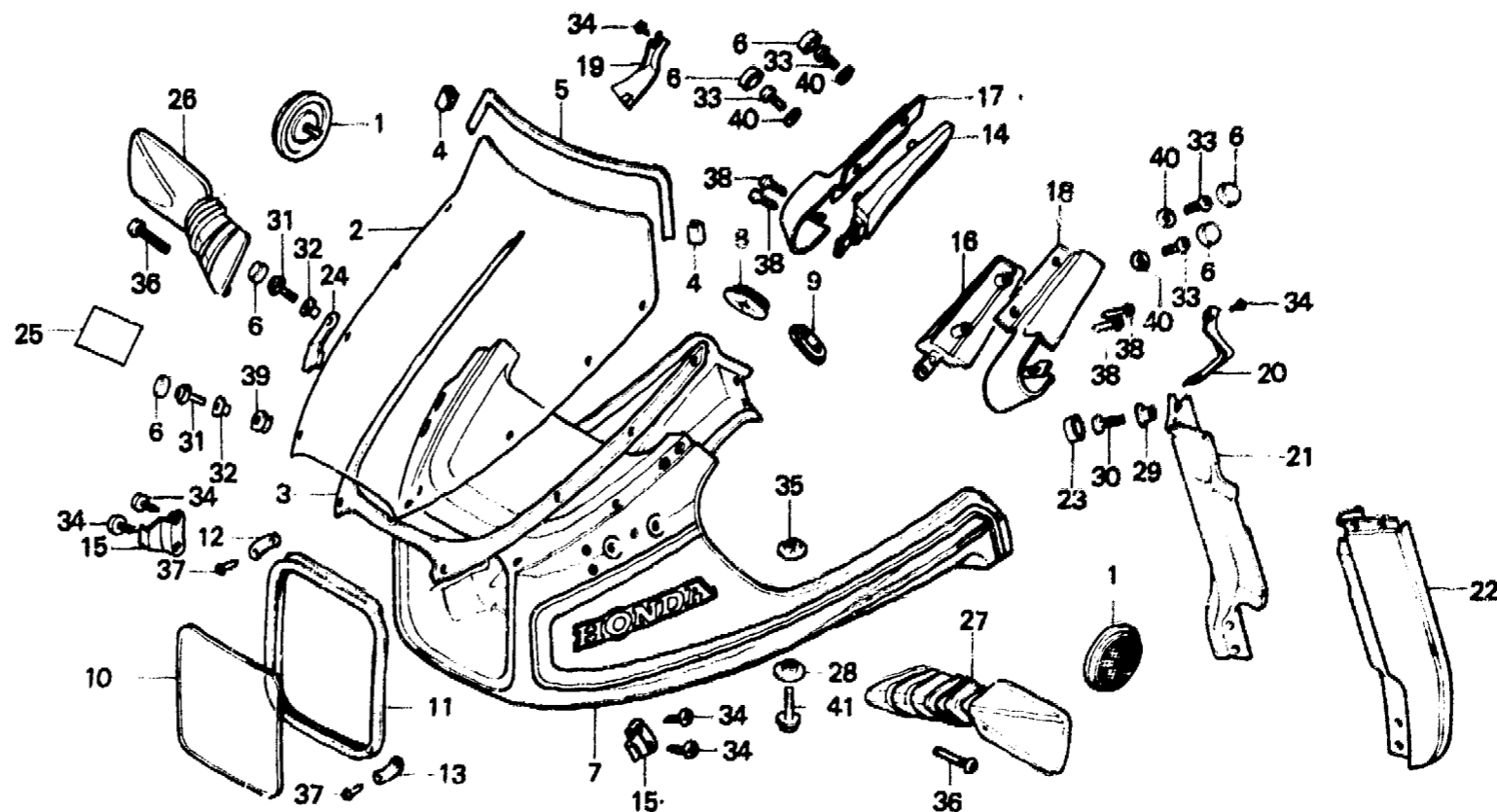
**F-31**

**Fairing  
(CB750F2c·F2d)**

**Profilage  
(CB750F2c·F2d)**

**Verkleidung  
(CB750F2c·F2d)**

**Carena  
(CB750F2c·F2d)**



BMC3-5

Service item	F.R.T.	Ref. No.	Part No.	Description	Reqd. No. CB750						Serial No.	Area code
					Fz	FA	Fb	Fc	F2c	Fd		
		13	64223-MA2-000	PLATE, HEADLIGHT RUBBER LOWER					2		2	
		14	64234-MA2-300	PAD, R. PILLAR					1		1	
		15	64234-MB0-820	STAY, PILLAR							2	
		16	64235-MA2-300	PAD, L. PILLAR					1		1	
		17	64236-MB0-820ZC	PILLAR, R. *R-110*							1	
			64236-MB0-820ZD	PILLAR, R. *NH-121P-A*							1	
			64236-438-850ZC	PILLAR R. *NH-1*					1			
			64236-438-850ZD	PILLAR R. *NH-121P-A*					1			
		18	64237-MB0-820ZC	PILLAR, L. *R-110*							1	
			64237-MB0-820ZD	PILLAR, L. *NH-121P-A*							1	
			64237-438-850ZC	PILLAR L. *NH-1*					1			
			64237-438-850ZD	PILLAR L. *NH-121P-A*					1			

1982.09.20

E

2-G3



**2-G4**

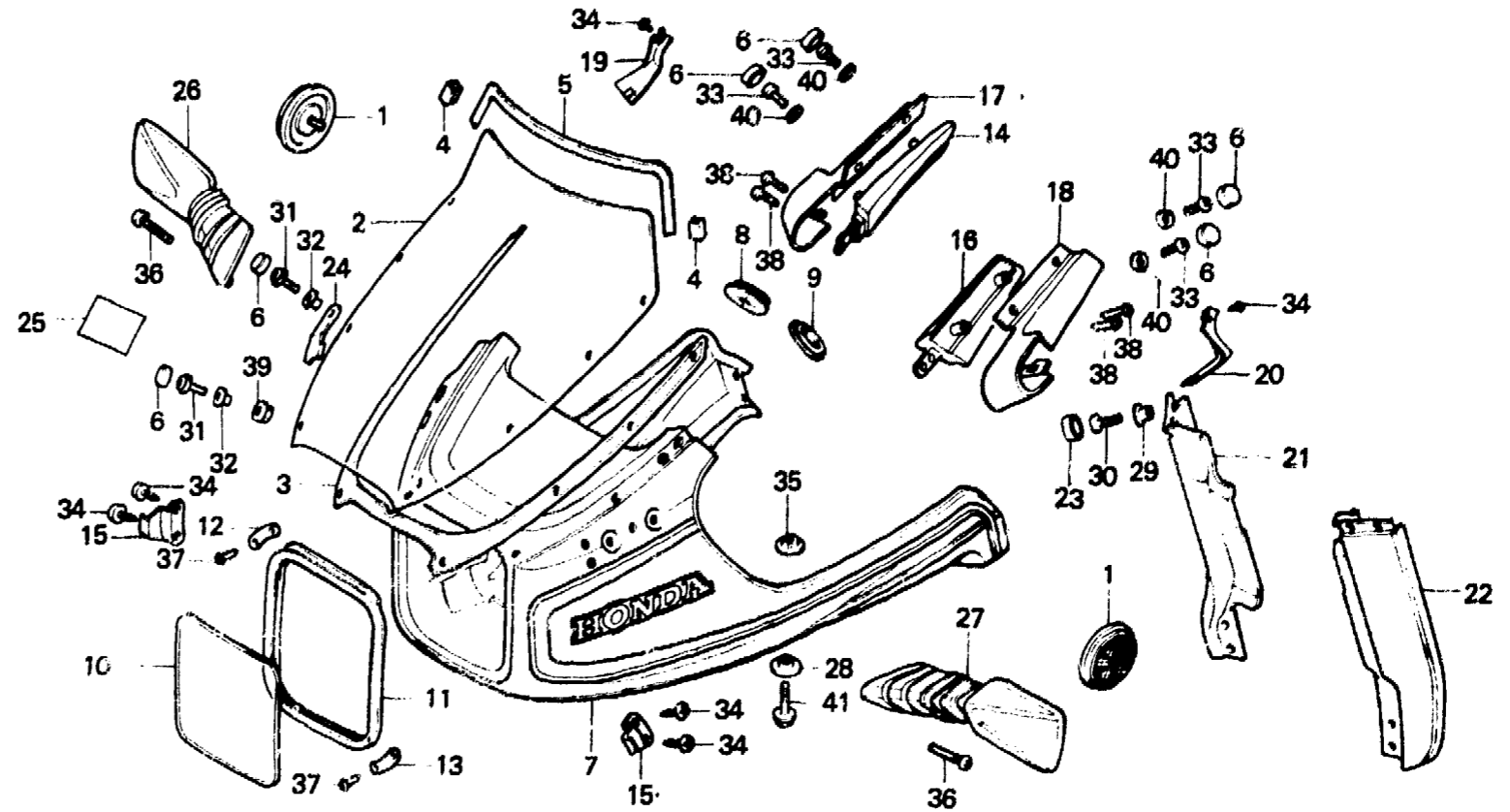
**F-31**

**Fairing  
(CB750F2c·F2d)**

**Profilage  
(CB750F2c·F2d)**

**Verkleidung  
(CB750F2c·F2d)**

**Carena  
(CB750F2c·F2d)**



BMC3-5

Service item	F.R.T.	Ref. No.	Part No.	Description	Reqd. No. CB750						Serial No.	Area code
					Fz	FA	Fb	Fc	F2c	Fd		
		19	64238-MB0-820ZC	COVER, R. MIRROR BOOT *R-110*							1	
			64238-MB0-820ZD	COVER, R. MIRROR BOOT							1	
				*NH-121P-A*								
		20	64239-MB0-820ZC	COVER, L. MIRROR BOOT *R-110*							1	
			64239-MB0-820ZD	COVER, L. MIRROR BOOT							1	
				*NH-121P-A*								
		21	64260-MB7-710ZA	SHIELD R. LEG *NH-1*						1		
			64260-MB7-710ZB	SHIELD, R. LEG *NH-121P-A*						1	1	
			64260-MB7-710ZC	SHIELD, R. LEG *R-110*							1	
		22	64270-MB7-710ZA	SHIELD L. LEG *NH-1*						1		
			64270-MB7-710ZB	SHIELD, L. LEG *NH-121P-A*						1	1	
			64270-MB7-710ZC	SHIELD, L. LEG *R-110*							1	

**2-G5**

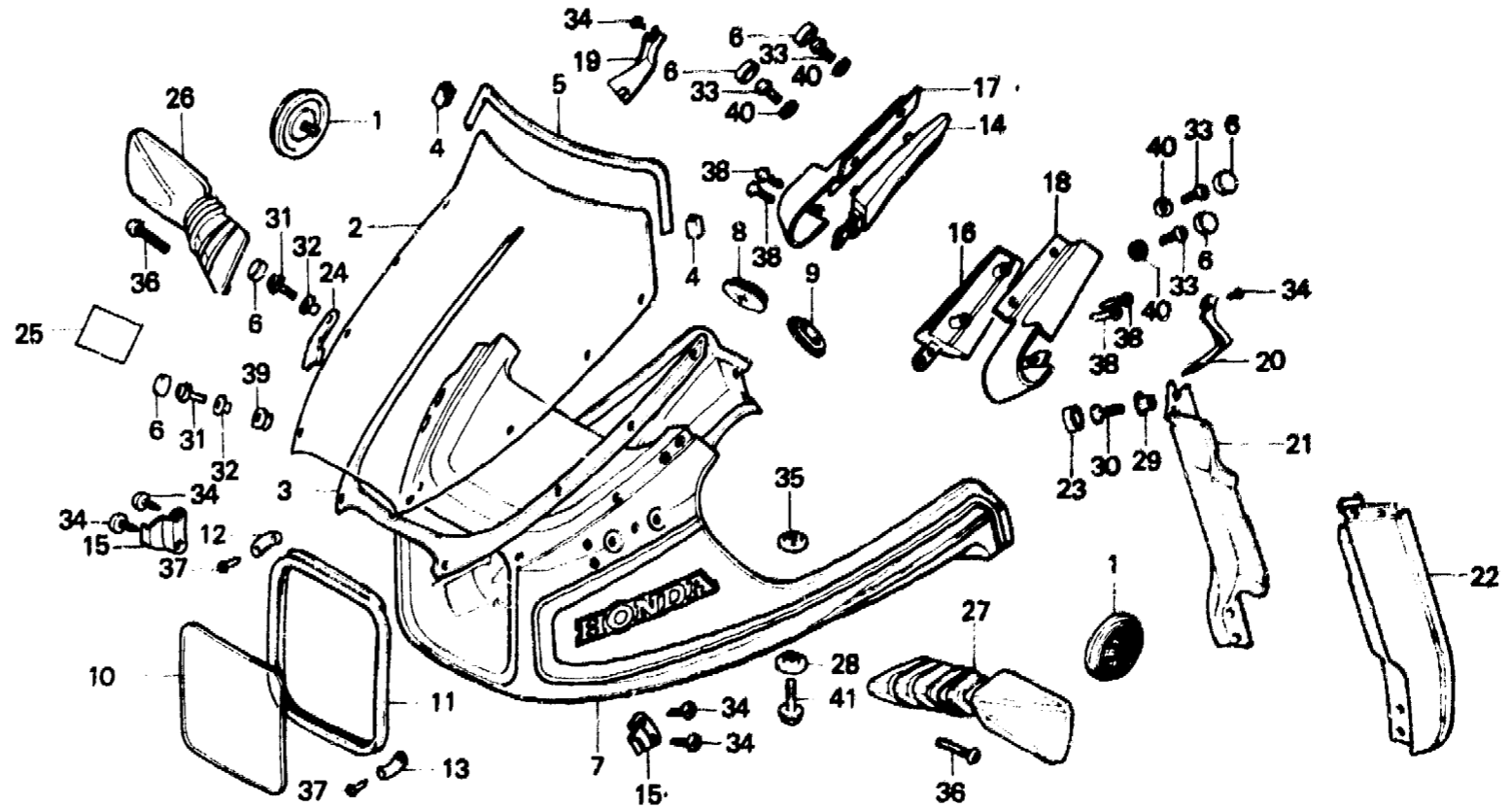
**F-31**

**Fairing  
(CB750F2c·F2d)**

**Profilage  
(CB750F2c·F2d)**

**Verkleidung  
(CB750F2c·F2d)**

**Carena  
(CB750F2c·F2d)**



BMC3-5

Service item	F.R.T.	Ref. No.	Part No.	Description	Reqc. No.							Serial No.	Area code
					Fz	FA	Fb	Fc	F2c	Fd	F2d		
		23	64279-MA2-000	CAP, LEG SHIELD SCREW					4		4		
		24	64513-MA2-000	PLATE, SCREEN SETTING					2		2		
		25	87522-463-930	LABEL, WIND SCREEN CAUTION					1		1		DK,DM,E,ED,SA,U,IT
			87522-463-940	LABEL, WIND SCREEN CAUTION					1				G
			87522-463-950	LABEL, WIND SCREEN CAUTION					1				F
		26	88110-MA2-620	MIRROR, R. BACK					1				DK,DM,E,ED,F,G
			88110-MA2-650	MIRROR, R. BACK					1				SA
			88110-MB0-811	MIRROR, R. BACK							1		U
			88110-MB0-821	MIRROR, R. BACK							1		U
		27	88120-MA2-620	MIRROR, L. BACK					1				ED,SA,IT
			88120-MA2-650	MIRROR, L. BACK					1				DK,DM,E,ED,F,G
			88120-MB0-811	MIRROR, L. BACK							1		SA
			88120-MB0-821	MIRROR, L. BACK							1		U
													U
													ED,SA,IT

1982.09.20

E

2-G5

**2-G7**

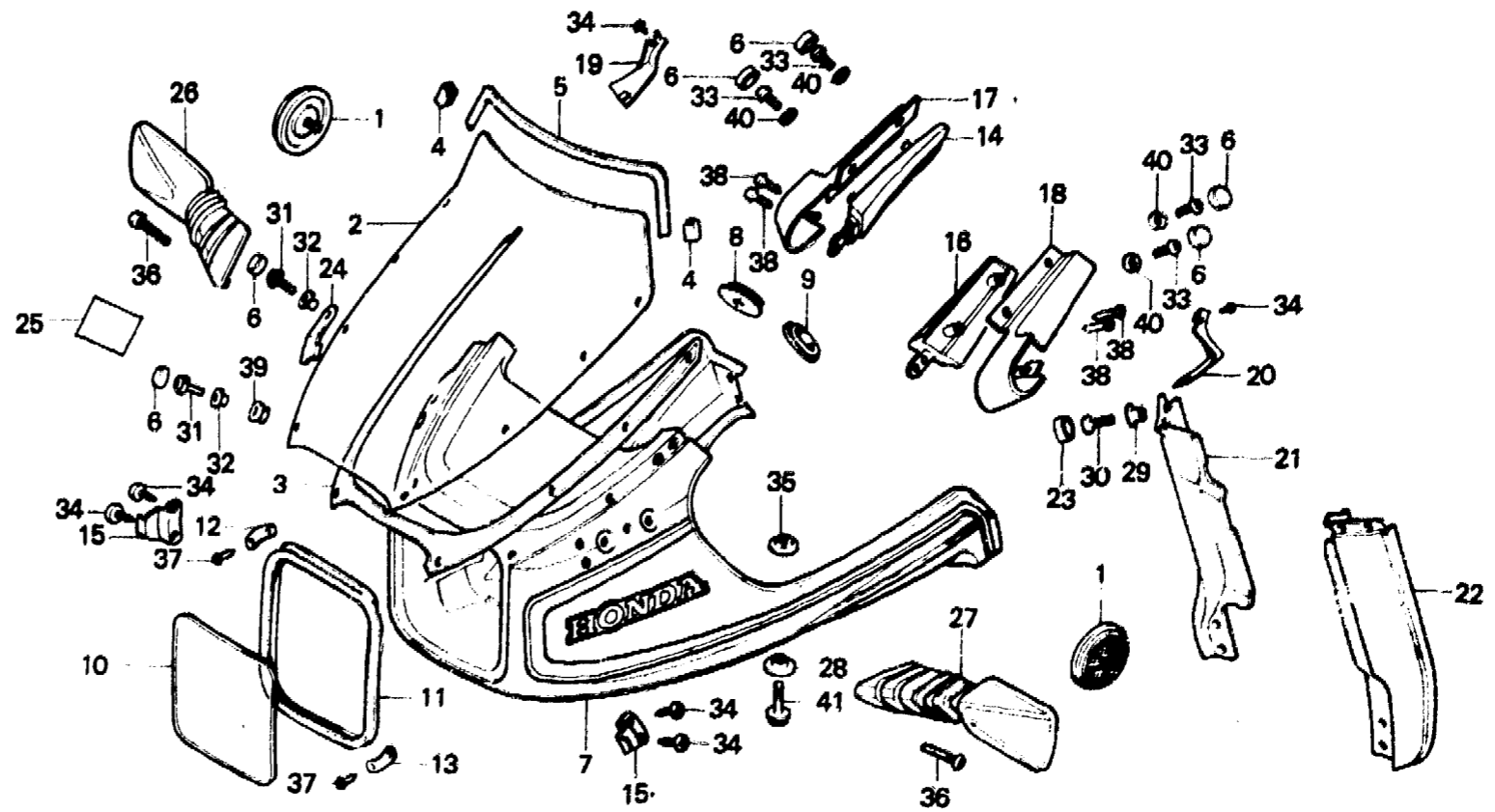
**F-31**

**Fairing  
(CB750F2c-F2d)**

**Profilage  
(CB750F2c-F2d)**

**Verkleidung  
(CB750F2c-F2d)**

**Carena  
(CB750F2c-F2d)**



BMC3-5

Service item	F.R.T.	Ref. No.	Part No.	Description	Reqd. No.						Serial No.	Area code
					Fz	FA	Fb	Fc	F2c	Fd		
		41	96000-06028-02	BOLT, FLANGE, 6X29					6		6	

**2-G8**

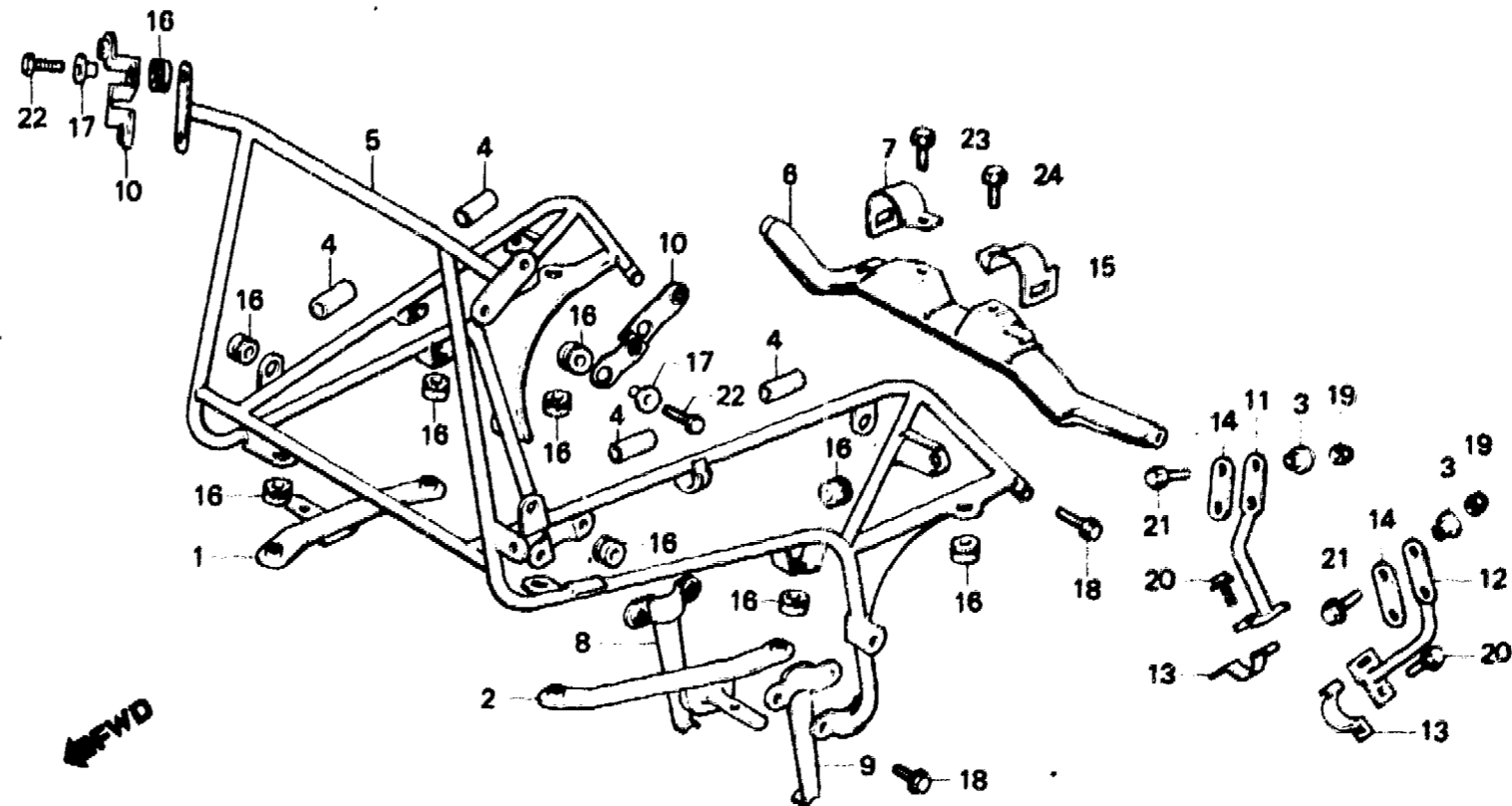
**F-32**

**Fairing stay  
(CB750F2c-F2d)**

**Appui de profilage  
(CB750F2c-F2d)**

**Vrekleidungsstütze  
(CB750F2c-F2d)**

**Carena tirante  
(CB750F2c-F2d)**



B438-47

Service item	F.R.T.	Ref. No.	Part No.	Description	Reqd. No. CB750						Serial No.	Area code
					Fz	FA	Fb	Fc	F2c	Fd		
STAY, R. FR. WINKER	0.1	1	33471-438-850	STAY, R. FR. WINKER					1		1	
STAY, L. FR. WINKER		2	33472-438-850	STAY, L. FR. WINKER					1		1	
STAY, FAIRING MAIN	0.6	3	61104-357-000	COLLAR, FR. FENDER					4		4	
STAY, FAIRING	0.2	4	64247-438-850	CUSHION, POCKET MOUNTING					10		10	
		5	64501-438-850ZB	STAY, FAIRING MAIN *NH-1*					1		1	
		6	64502-438-850ZB	STAY, FAIRING *NH-1*					1		1	
		7	64503-438-850	BAND, R. RR. STAY					1		1	
		8	64504-438-850ZB	BAND, R. MAIN STAY *NH-1*					1		1	
		9	64505-438-850ZB	BAND, L. MAIN STAY *NH-1*					1		1	
		10	64506-438-850	STAY, MAIN UPPER					2		2	
		11	64509-438-850ZB	STAY, R. LEG SHIELD *NH-1*					1		1	

1982.09.20

E

2-G8

**2-G9**

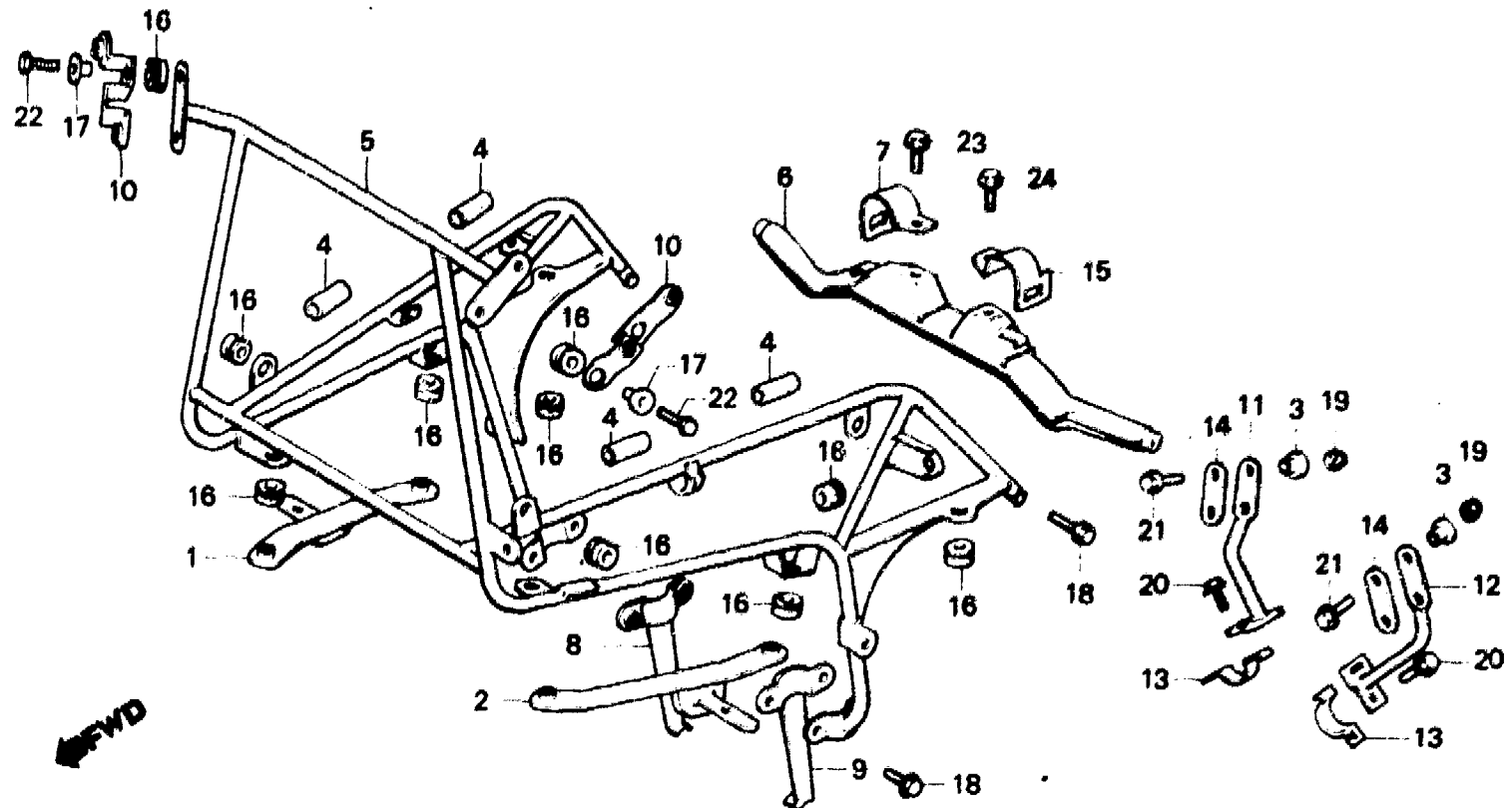
**F-32**

**Fairing stay  
(CB750F2c·F2d)**

**Appui de profilage  
(CB750F2c·F2d)**

**Vrekleidungsstütze  
(CB750F2c·F2d)**

**Carena tirante  
(CB750F2c·F2d)**



B438-47

Service item	F.R.T.	Ref. No.	Part No.	Description	Reqd. No.							Serial No.	Area code
					CB750								
					Fz	FA	Fa	Fc	F2c	Fd	F2d		
		12	64510-438-850ZB	STAY, L. LEG SHIELD *NH-1*					1		1		
		13	64511-438-850ZB	BAND, LEG SHIELD *NH-1*					2		2		
		14	64512-438-850	RUBBER, LEG SHIELD					2		2		
		15	64513-438-850	BAND, L. RR. STAY					1		1		
		16	84703-460-000	RUBBER, TAILLIGHT CUSHION					10		10		
		17	90001-438-850	COLLAR A					18		18		
		18	90100-438-850	BOLT, SPECIAL FLANGE, 8X22					6		6		
		19	94021-06020-0S	NUT, CAP, 6MM					4		4		
		20	95700-06016-00	BOLT, FLANGE, 6X16					2		2		
		21	95700-06020-00	BOLT, FLANGE, 6X20					4		4		
		22	95700-06022-00	BOLT, FLANGE, 6X22					4		4		
		23	95700-08025-00	BOLT, FLANGE, 8X25					1		1		
		24	95700-08028-00	BOLT, FLANGE, 8X28					1		1		

1982.09.20

E

2-G9

**2-G10**

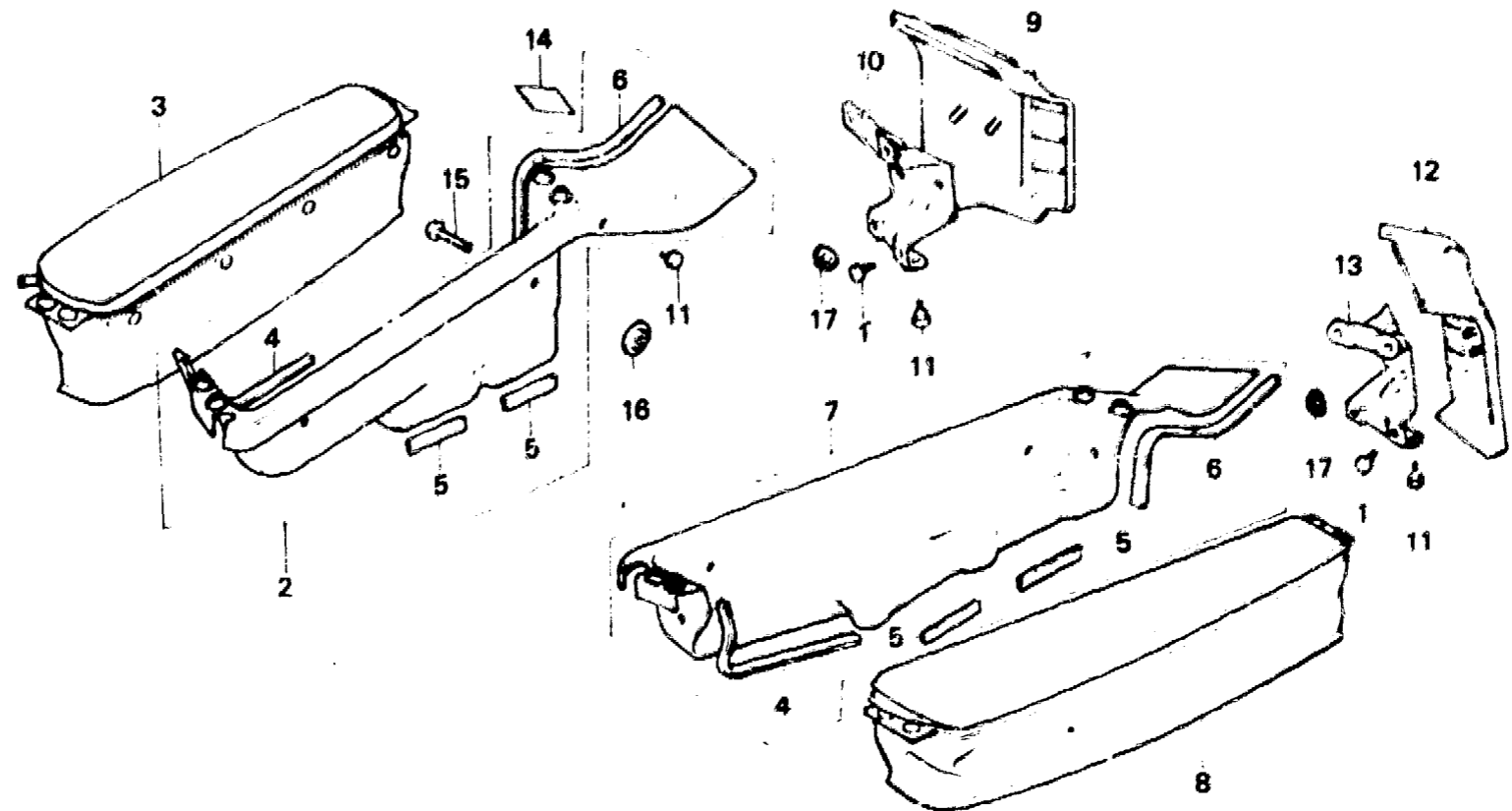
**F-33**

**Fairing pocket  
(CB750F2c·F2d)**

**Poche de profilage  
(CB750F2c·F2d)**

**Verkleidungstasche  
(CB750F2c·F2d)**

**Bolsillo de carena  
(CB750F2c·F2d)**



B438-4B

Service item	F.R.T.	Ref. No.	Part No.	Description	Reqd. No. CB750						Serial No.	Area code	
					Fz	FA	Fb	Fc	F2c	Fd			F2d
POCKET COMP., R.	0.3	1	40514-333-000	PLUG, CHAIN CASE					4		4		
POCKET COMP., L.		2	64240-MB7-710	POCKET COMP., R.					1		1		
STAY, R. KNEE PAD (INC. RELATIVE PART)	0.1	3	64245-438-850	BAG, R. SIDE					1		1		
STAY, L. KNEE PAD (INC. RELATIVE PART)		4	64246-438-850	RUBBER B, POCKET SEAL					2		2		
		5	64248-438-850	RUBBER C, POCKET SEAL					2		2		
		6	64249-438-850	RUBBER A, POCKET SEAL					2		2		
		7	64250-MB7-710	POCKET COMP., L.					1		1		
		8	64255-438-850	BAG, L. SIDE					1		1		
		9	64261-438-850	PAD, R. KNEE					1		1		
		10	64262-438-850	STAY, R. KNEE PAD					1		1		
		11	64264-438-850	GROMMET, PAD SETTING					4		4		

**2-G11**

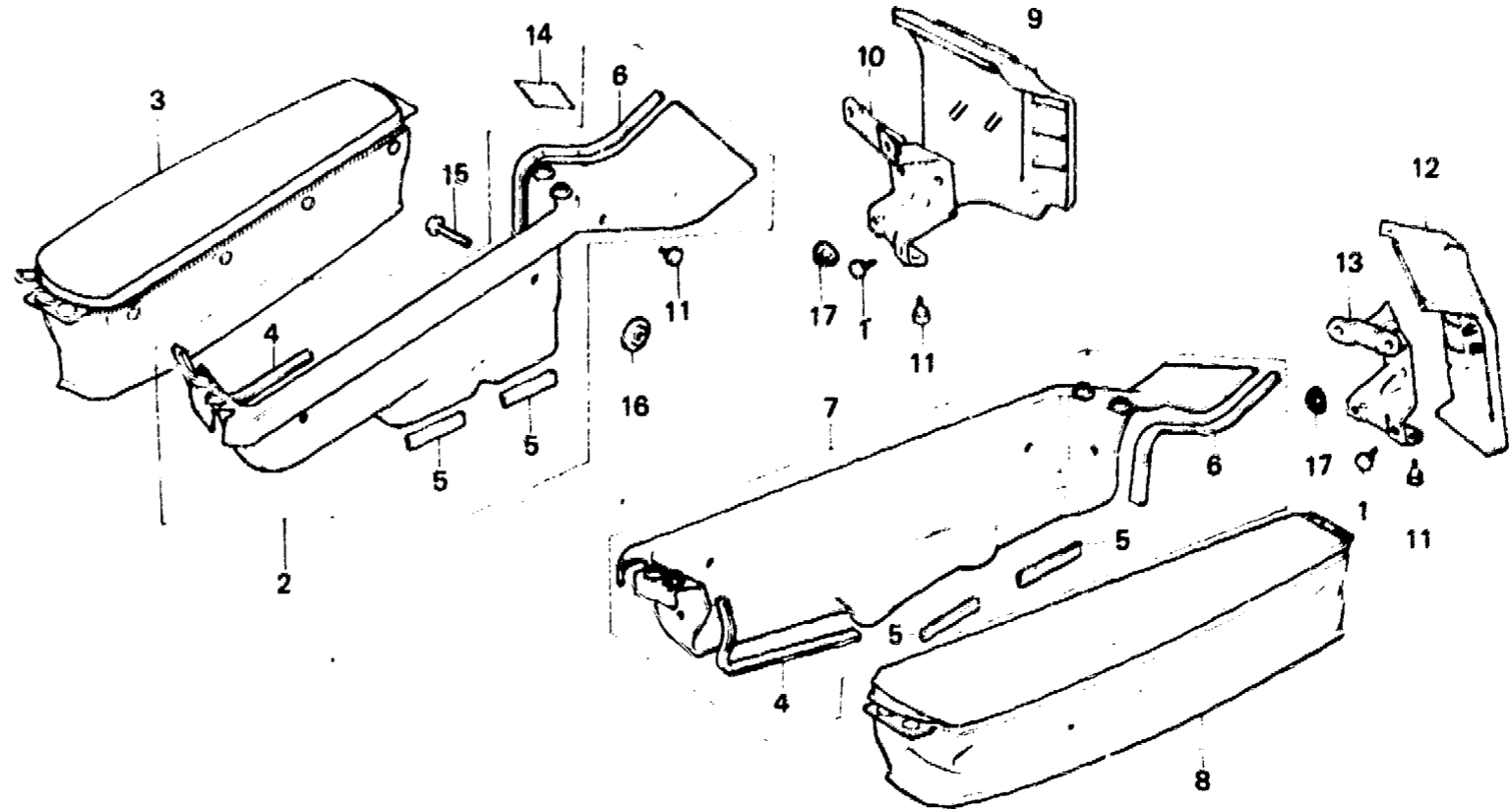
**F-33**

**Fairing pocket  
(CB750F2c·F2d)**

**Poche de profilage  
(CB750F2c·F2d)**

**Verkleidungstasche  
(CB750F2c·F2d)**

**Bolsillo de carena  
(CB750F2c·F2d)**



B438-48

Service item	F.R.T.	Ref. No.	Part No.	Description	Reqd. No. CB750						Serial No.	Area code
					Fz	FA	Fb	Fc	F2c	Fd		
		12	64271-438-850	PAD, L. KNEE						1	1	
		13	64272-438-850	STAY, L. KNEE PAD						1	1	
		14	87523-438-840	LABEL, POCKET CAUTION						1	1	DK,DM,E,ED,SA,U,IT
			87523-438-850	LABEL, POCKET CAUTION						1		G
			87523-438-930	LABEL, POCKET CAUTION						1		F
		15	90008-438-850	SCREW, TRUSS, 6X28						8	8	
		16	90400-438-850	WASHER, 6X22						8	8	
		17	94050-06000	NUT, FLANGE, 6MM						4	4	

1982.09.20

E

2-G11

**2-G12**

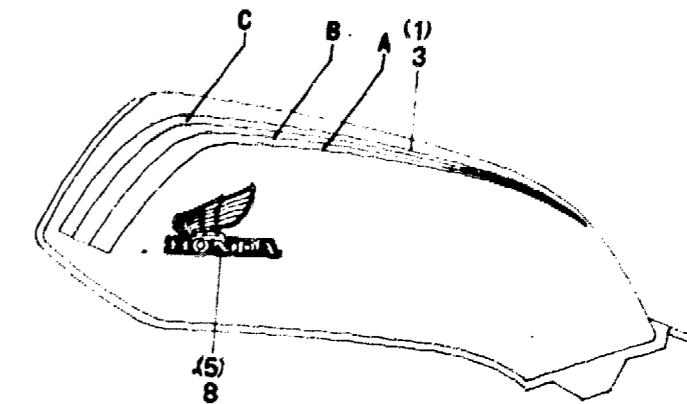
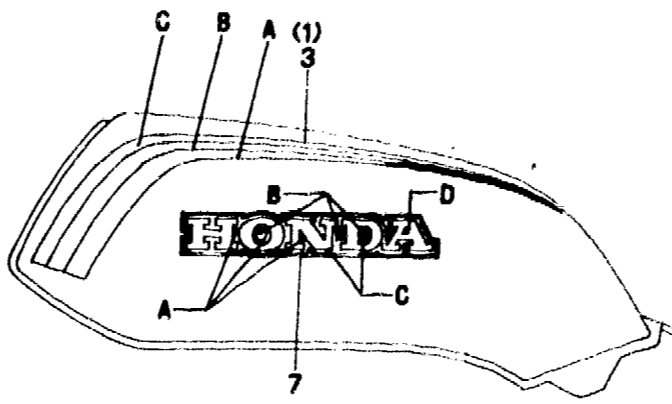
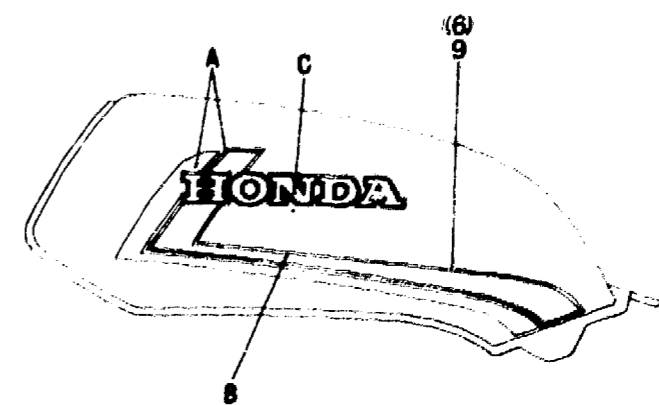
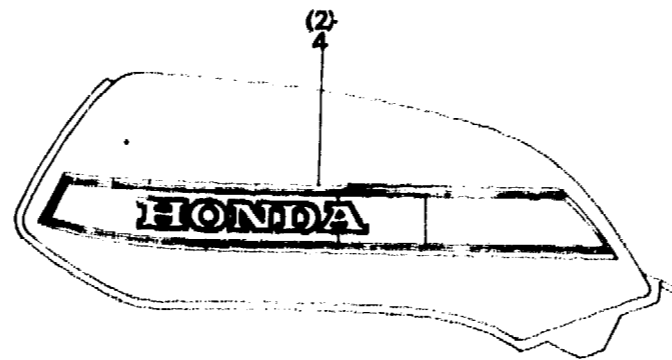
**F-34**

**Fuel tank stripe**  
 (CB750FA·FB-DK,DM,E,  
 ED,F,G,SA,U,CB750Fc·F2c)

**Raie de réservoir d'essence**  
 (CB750FA·FB-DK,DM,E,  
 ED,F,G,SA,U,CB750Fc·F2c)

**Benzintank·Streifen**  
 (CB750FA·FB-DK,DM,E,  
 ED,F,G,SA,U,CB750Fc·F2c)

**Franja de tanque de combustible**  
 (CB750FA·FB-DK,DM,E,  
 ED,F,G,SA,U,CB750Fc·F2c)



8445-47

Service item	F.R.T.	Ref. No.	Part No.	Description	Mod. No. CB750						Serial No.	Area code
					Fz	FA	Fb	Fc	F2c	Fd		
		1	87121-MC3-610ZA	STRIPE, R. FUEL TANK (A.M.) *TYPE 1*				1	1			DK,DM,E,ED,F,G SA,U
			87121-MC3-610ZB	STRIPE, R. FUEL TANK (A.M.) *TYPE 2*				1				DK,DM,E,ED,F,G SA,U
			87121-MC3-610ZC	STRIPE, R. FUEL TANK (A.M.) *TYPE 3*				1	1			DK,DM,E,ED,F,G SA,U
			87121-MC3-610ZD	STRIPE, R. FUEL TANK (A.M.) *TYPE 4*				1				DK,DM,E,ED,F,G SA,U
			2	87121-438-710ZA	STRIPE, FUEL TANK R. (T.M.) *TYPE-A*		1	1				DK,DM,E,ED,F,G SA,U
				87121-438-710ZB	STRIPE, FUEL TANK R. (T.M.) *TYPE-B*		1	1				DK,DM,E,ED,F,G SA,U
				87121-438-710ZD	STRIPE, FUEL TANK R. (T.M.) *TYPE-D*		1	1				DK,DM,E,ED,F,G SA,U
				87121-438-710ZE	STRIPE, FUEL TANK R. (T.M.) *TYPE-E*		1	1				DK,DM,E,ED,F,G SA,U
			3	87122-MC3-610ZA	STRIPE, L. FUEL TANK (A.M.) *TYPE 1*				1	1		DK,DM,E,ED,F,G SA,U
				87122-MC3-610ZB	STRIPE, L. FUEL TANK (A.M.) *TYPE 2*				1			DK,DM,E,ED,F,G SA,U

REFER TO BLOCK F-38 FOR COLOR CHART OF FUEL TANK STRIPE AND FUEL TANK MARK.

1982.09.20

E

2-G12



**2-G13**

**F-34**

**Fuel tank stripe**

(CB750FA·FB-DK,DM,E,  
ED,F,G,SA,U,CB750Fc·F2c)

**Raie de réservoir d'essence**

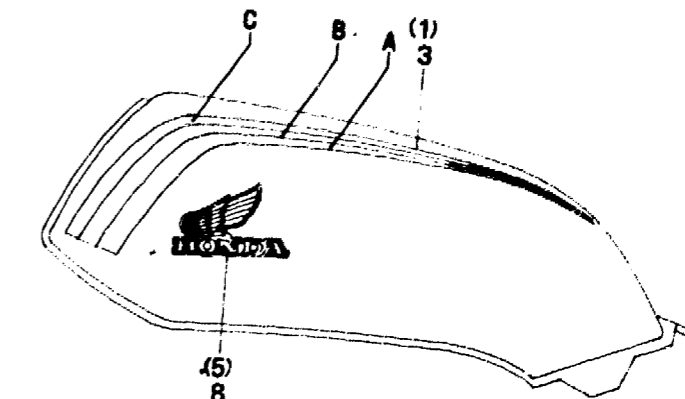
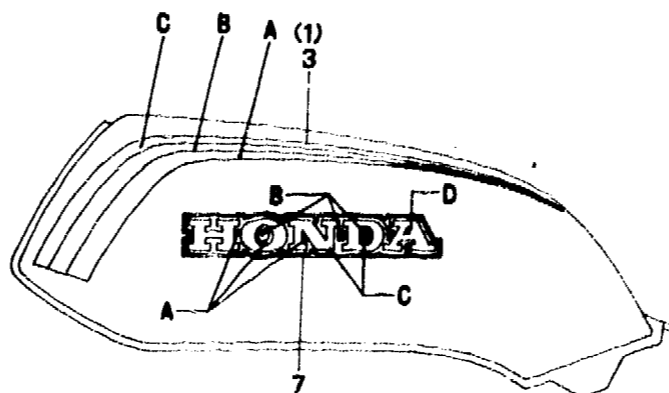
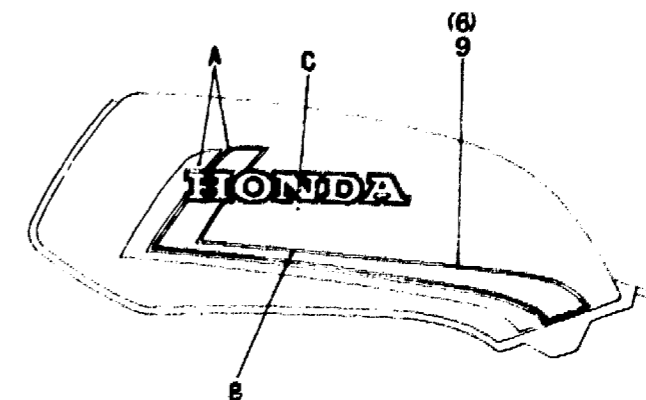
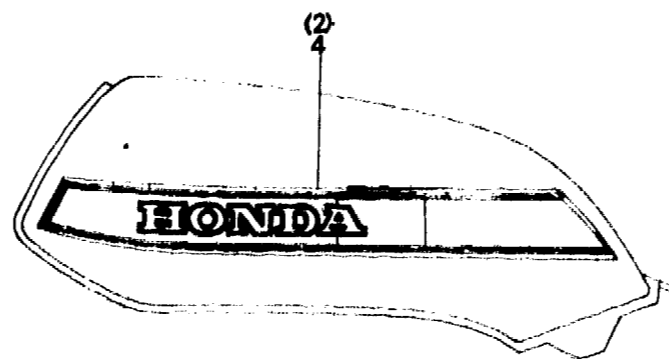
(CB750FA·FB-DK,DM,E,  
ED,F,G,SA,U,CB750Fc·F2c)

**Benzintank·Streifen**

(CB750FA·FB-DK,DM,E,  
ED,F,G,SA,U,CB750Fc·F2c)

**Franja de tanque de combustible**

(CB750FA·FB-DK,DM,E,  
ED,F,G,SA,U,CB750Fc·F2c)



B445-47

Service item	F.R.T.	Ref. No.	Part No.	Description	Reqd. No. CB750						Serial No.	Area code
					Fz	FA	Fb	Fc	F2c	Fd		
			87122-MC3-610ZC	STRIPE, L. FUEL TANK (A.M.) *TYPE 3*			1	1				DK,DM,E,ED,F,G SA,U
			87122-MC3-610ZD	STRIPE, L. FUEL TANK (A.M.) *TYPE 4*			1					DK,DM,E,ED,F,G SA,U
4			87122-438-710ZA	STRIPE, FUEL TANK L. (T.M.) *NH-104M-U*	1	1						DK,DM,E,ED,F,G SA,U
			87122-438-710ZB	STRIPE, FUEL TANK L. (T.M.) *R-107C-U*	1	1						DK,DM,E,ED,F,G SA,U
			87122-438-710ZD	STRIPE, FUEL TANK L. (T.M.) *NH-1*	1	1						DK,DM,E,ED,F,G SA,U
			87122-438-710ZE	STRIPE, FUEL TANK L. (T.M.) *A-07*	1	1						DK,DM,E,ED,F,G SA,U
5			87123-KB0-300	MARK, R. FUEL TANK (A.M.)					1			
6			87123-MB7-670ZA	STRIPE, R. FUEL TANK (A.M.) *TYPE 1*				1				CM
			87123-MB7-670ZB	STRIPE, R. FUEL TANK (A.M.) *TYPE 2*				1				CM
7			87123-MC3-610ZA	MARK, FUEL TANK *TYPE 1*					2			DK,DM,E,ED,F,G SA,U

REFER TO BLOCK F-38 FOR COLOR CHART OF  
FUEL TANK STRIPE AND FUEL TANK MARK.

1982.09.20

E

2-G13

**2-G14**

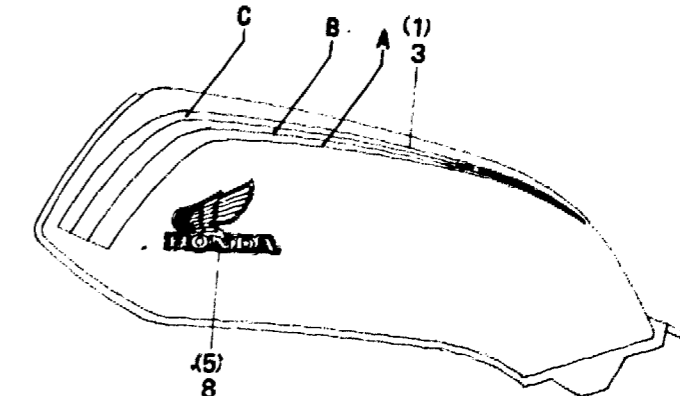
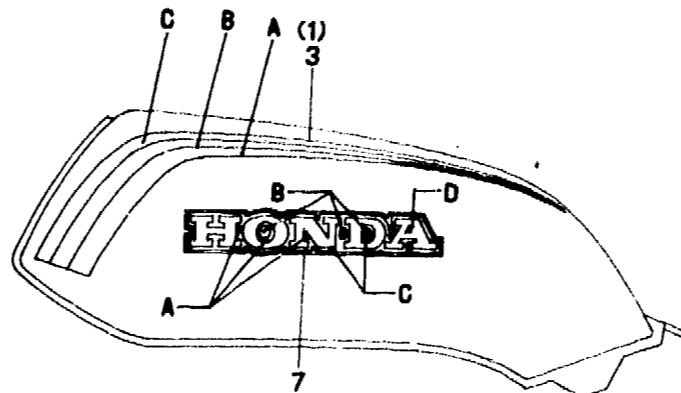
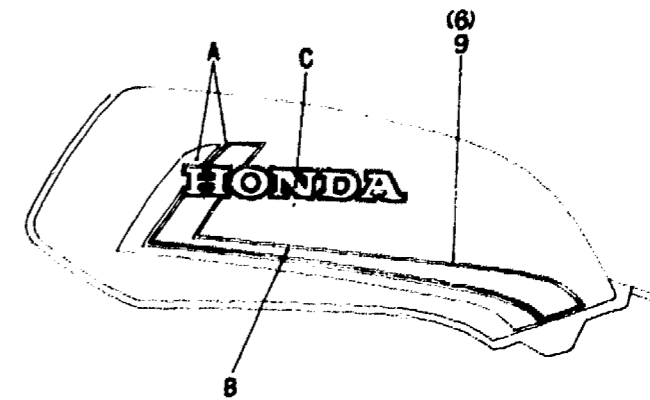
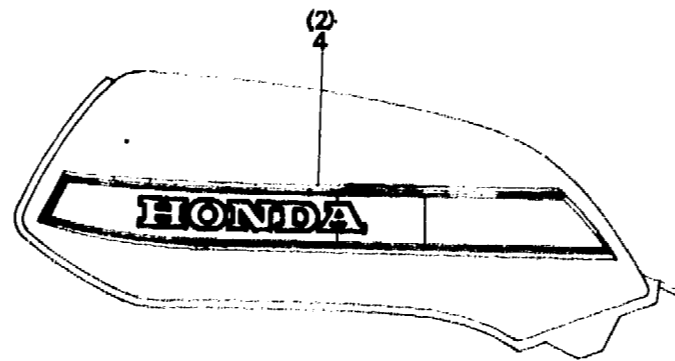
**F-34**

**Fuel tank stripe**  
(CB750FA·FB-DK,DM,E,  
ED,F,G,SA,U,CB750Fc·F2c)

**Raie de réservoir d'essence**  
(CB750FA·FB-DK,DM,E,  
ED,F,G,SA,U,CB750Fc·F2c)

**Benzintank-Streifen**  
(CB750FA·FB-DK,DM,E,  
ED,F,G,SA,U,CB750Fc·F2c)

**Franja de tanque de combustible**  
(CB750FA·FB-DK,DM,E,  
ED,F,G,SA,U,CB750Fc·F2c)



B445-47

Service item	F.R.T.	Ref. No.	Part No.	Description	Reqd. No. CB750						Serial No.	Area code	
					Fz	FA	Fb	Fc	F2c	Fd			F2d
			87123-MC3-610ZB	MARK, FUEL TANK *TYPE 2*				2					DK,DM,E,ED,F,G SA,U
			87123-MC3-610ZC	MARK, FUEL TANK *TYPE 3*				2					DK,DM,E,ED,F,G SA,U
			87123-MC3-610ZD	MARK, FUEL TANK *TYPE 4*				2					DK,DM,E,ED,F,G SA,U
		8	87124-KB0-300	MARK, L. FUEL TANK (A.M.)					1				
		9	87124-MB7-670ZA	STRIPE, L. FUEL TANK (A.M) *TYPE 1*				1					CM
			87124-MB7-670ZB	STRIPE, L. FUEL TANK (A.M) *TYPE 2*				1					CM

REFER TO BLOCK F-38 FOR COLOR CHART OF FUEL TANK STRIPE AND FUEL TANK MARK.

1982.09.20

E

2-G14

**2-G15**

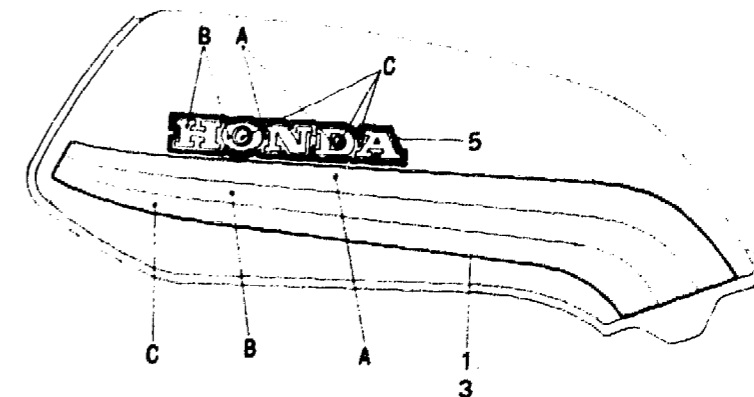
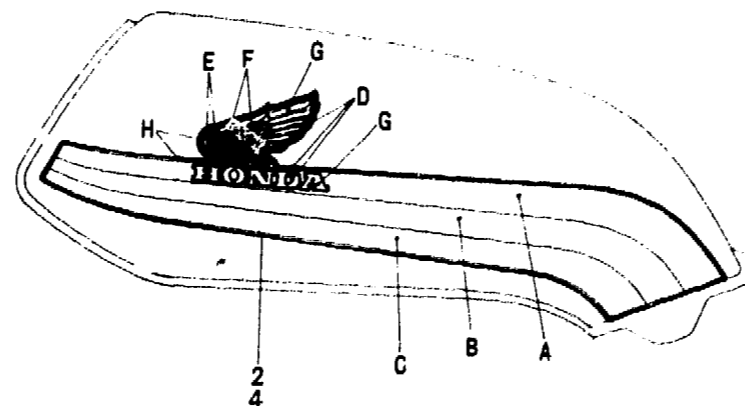
**F-34-1**

**Fueltank stripe  
(CB750Fd·F2d)**

**Raie de réservoir d'essence  
(CB750Fd·F2d)**

**Benzintank·Streifen  
(CB750Fd·F2d)**

**Franja de tanque de combustible  
(CB750Fd·F2d)**



BMC3-6

Service item	F.R.T.	Ref. No.	Part No.	Description	Reqd. No. CB750						Serial No.	Area code
					Fz	FA	Fa	Fc	F2c	Fd		
		1	87121-MC3-630ZA	STRIPE, R. FUEL TANK *TYPE 1*						1		
			87121-MC3-630ZB	STRIPE, R. FUEL TANK *TYPE 2*						1		
			87121-MC3-630ZC	STRIPE, R. FUEL TANK *TYPE 3*						1		
		2	87121-MC3-840ZA	STRIPE, R. FUEL TANK *TYPE 1*							1	
			87121-MC3-840ZB	STRIPE, R. FUEL TANK *TYPE 2*							1	
		3	87122-MC3-630ZA	STRIPE, L. FUEL TANK *TYPE 1*						1		
			87122-MC3-630ZB	STRIPE, L. FUEL TANK *TYPE 2*						1		
			87122-MC3-630ZC	STRIPE, L. FUEL TANK *TYPE 3*						1		
		4	87122-MC3-840ZA	STRIPE, L. FUEL TANK *TYPE 1*							1	
			87122-MC3-840ZB	STRIPE, L. FUEL TANK *TYPE 2*							1	

REFER TO BLOCK F-39 FOR COLOR CHART OF FUEL TANK STRIPE AND FUEL TANK MARK.

1982.09.20

E

2-G15

**2-G16**

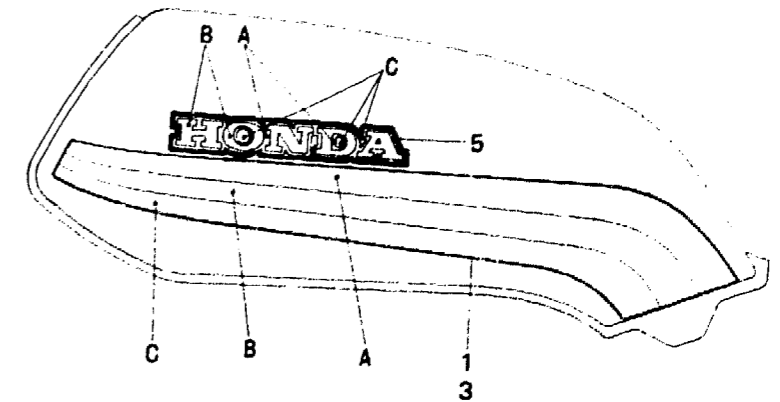
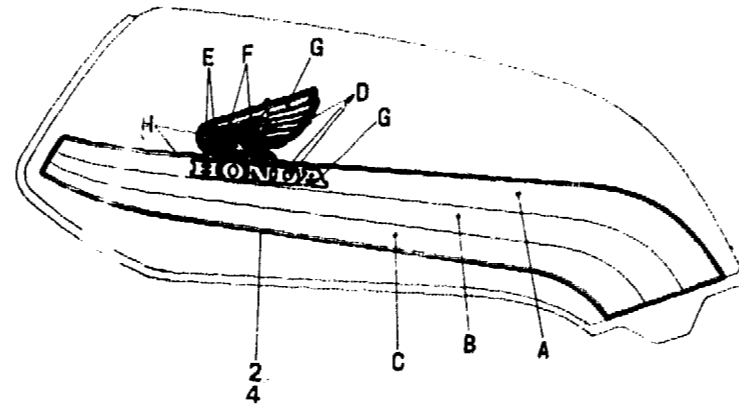
**F-34-1**

**Fuel tank stripe  
(CB750Fd·F2D)**

**Raie de réservoir d'essence  
(CB750Fd·F2D)**

**Benzintank·Streifen  
(CB750Fd·F2D)**

**Franja de tanque de combustible  
(CB750Fd·F2D)**



BMC3-6

Service item	F.R.T.	Ref. No.	Part No.	Description	Reqd. No.							Serial No.	Area code
					Fz	FA	Fb	Fc	F2c	Fd	F2D		
		5	87123-MC3-630ZA	MARK, FUEL TANK *TYPE 1*								2	
			87123-MC3-630ZB	MARK, FUEL TANK *TYPE 2*								2	
			87123-MC3-630ZC	MARK, FUEL TANK *TYPE 3*								2	

1982.09.20

E

2-G16

**2-H1**

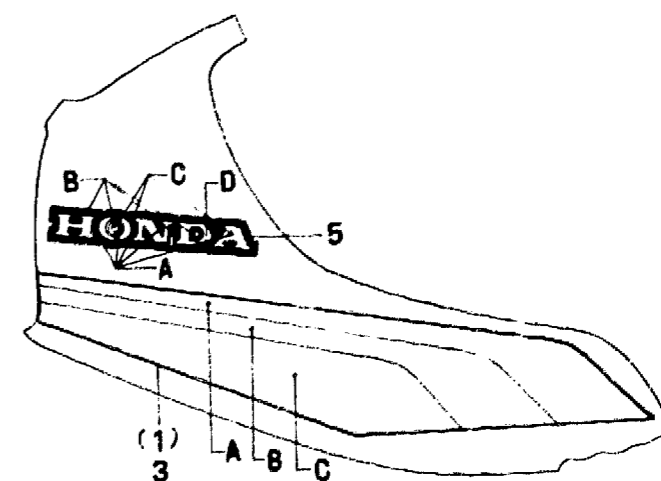
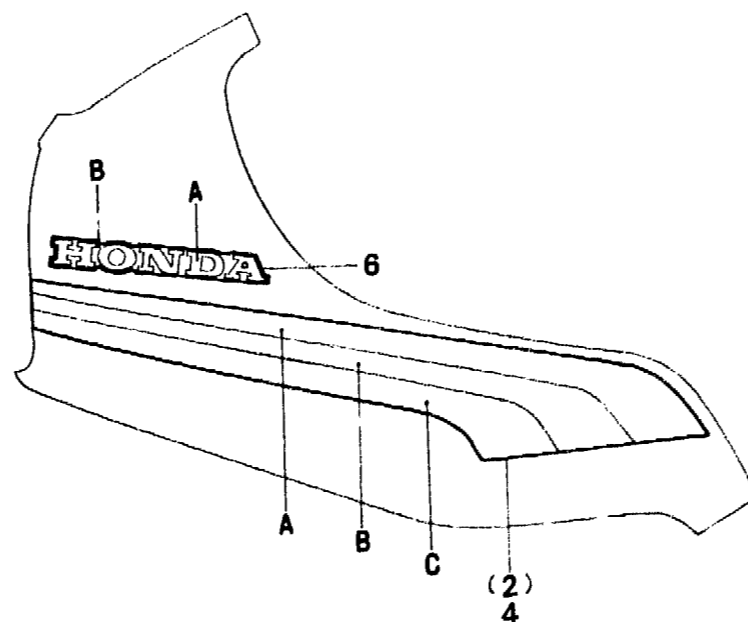
**F-35**

**Fairing stripe  
(CB750F2c·F2d)**

**Marque de profilage  
(CB750F2c·F2d)**

**Marque Verkleidung  
(CB750F2c·F2d)**

**Mavca carena  
(CB750F2c·F2d)**



BMC3-7

Service item	F.R.T.	Ref. No.	Part No.	Description	Reqd. No.						Serial No.	Area code
					Fz	FA	Fb	Fc	F2c	Fd		
		1	87115-MC3-730ZA	STRIPE, R. FAIRING (A.M.) *TYPE 1*							1	
			87115-MC3-730ZB	STRIPE, R. FAIRING (A.M.) *TYPE 2*							1	
		2	87115-MC3-840ZA	STRIPE, R. FAIRING *TYPE 1*							1	
			87115-MC3-840ZB	STRIPE, R. FAIRING *TYPE 2*							1	
		3	87116-MC3-730ZA	STRIPE, L. FAIRING (A.M.) *TYPE 1*							1	
			87116-MC3-730ZB	STRIPE, L. FAIRING (A.M.) *TYPE 2*							1	
		4	87116-MC3-840ZA	STRIPE, L. FAIRING *TYPE 1*							1	
			87116-MC3-840ZB	STRIPE, L. FAIRING *TYPE 2*							1	
		5	87117-MC3-730ZA	MARK, FAIRING *TYPE 1*							2	
			87117-MC3-730ZB	MARK, FAIRING *TYPE 2*							2	
		6	87117-MC3-840ZA	MARK, FAIRING *TYPE 1*							2	
			87117-MC3-840ZB	MARK, FAIRING *TYPE 2*							2	

REFER TO BLOCK F38-1, F-39-1 FOR COLOR CHART OF FAIRING STRIPE AND FAIRING MARK.

1982.09.20

E

2-H1

**2-H2**

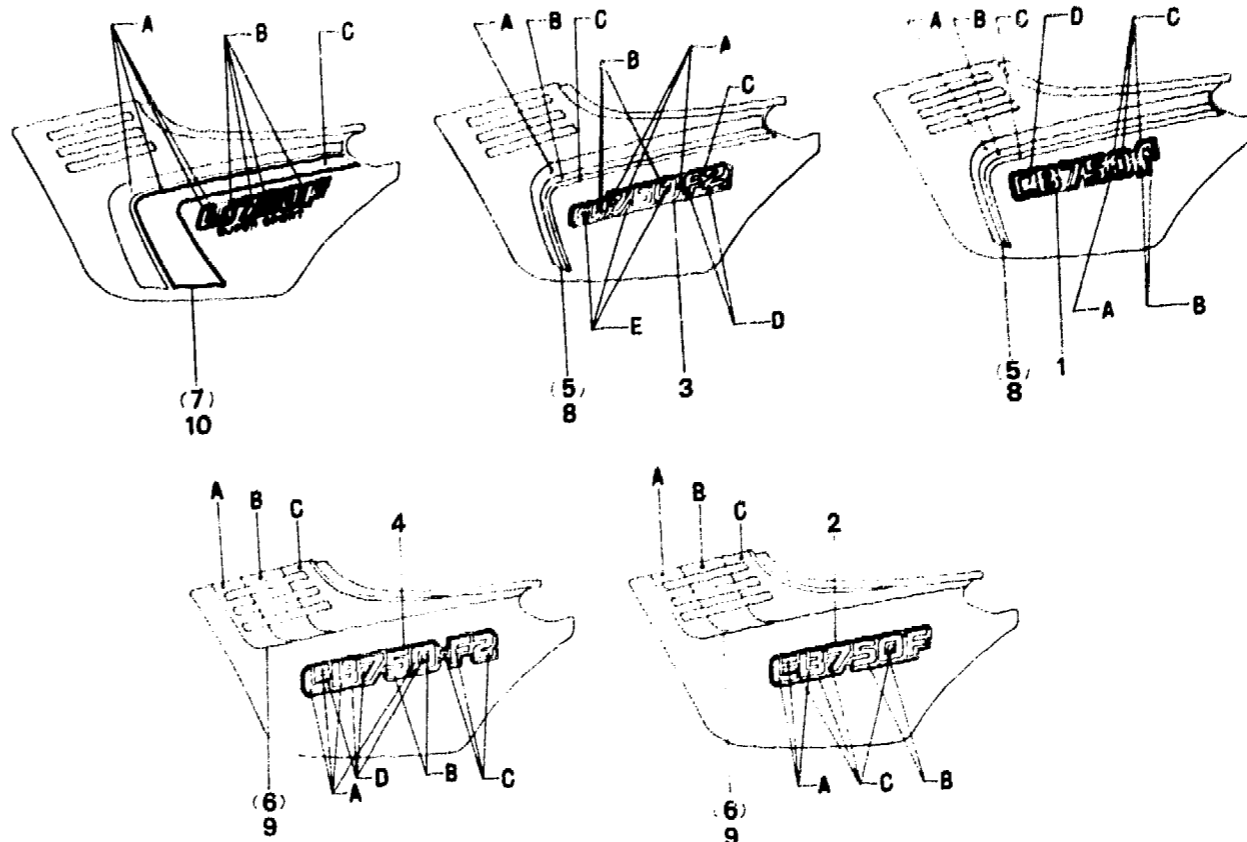
**F-36**

**Side cover stripe  
(CB750Fc·F2c·Fd·F2D)**

**Raie de couvercle latéral  
(CB750Fc·F2c·Fd·F2D)**

**Seitendeckel streifen  
(CB750Fc·F2c·Fd·F2D)**

**Franja de cubierta lateral  
(CB750Fc·F2c·Fd·F2D)**



BMC3-8

Service item	F.R.T.	Ref. No.	Part No.	Description	Reqd. No. CB750							Serial No.	Area code
					Fz	FA	Fb	Fc	F2c	Fd	F2D		
		1	87124-MC3-610ZA	MARK, SIDE COVER *TYPE 1*					2				DK,DM,E,ED,F,G SA,U
			87124-MC3-610ZB	MARK, SIDE COVER *TYPE 2*					2				DK,DM,E,ED,F,G SA,U
			87124-MC3-610ZC	MARK, SIDE COVER *TYPE 3*					2				DK,DM,E,ED,F,G SA,U
			87124-MC3-610ZD	MARK, SIDE COVER *TYPE 4*					2				DK,DM,E,ED,F,G SA,U
		2	87124-MC3-630ZA	MARK, SIDE COVER *TYPE 1*							2		
			87124-MC3-630ZB	MARK, SIDE COVER *TYPE 2*							2		
			87124-MC3-630ZC	MARK, SIDE COVER *TYPE 3*							2		
		3	87124-MC3-730ZA	MARK, SIDE COVER *TYPE 1*						2			
			87124-MC3-730ZB	MARK, SIDE COVER *TYPE 2*						2			
		4	87127-MC3-840ZA	MARK, SIDE COVER *TYPE 1*								2	

REFER TO BLOCK F-38-2, F-39-2 FOR COLOR CHART OF SIDE COVER STRIPE AND SIDE COVER MARK.

1982.09.20

E

2-H2

**2-H3**

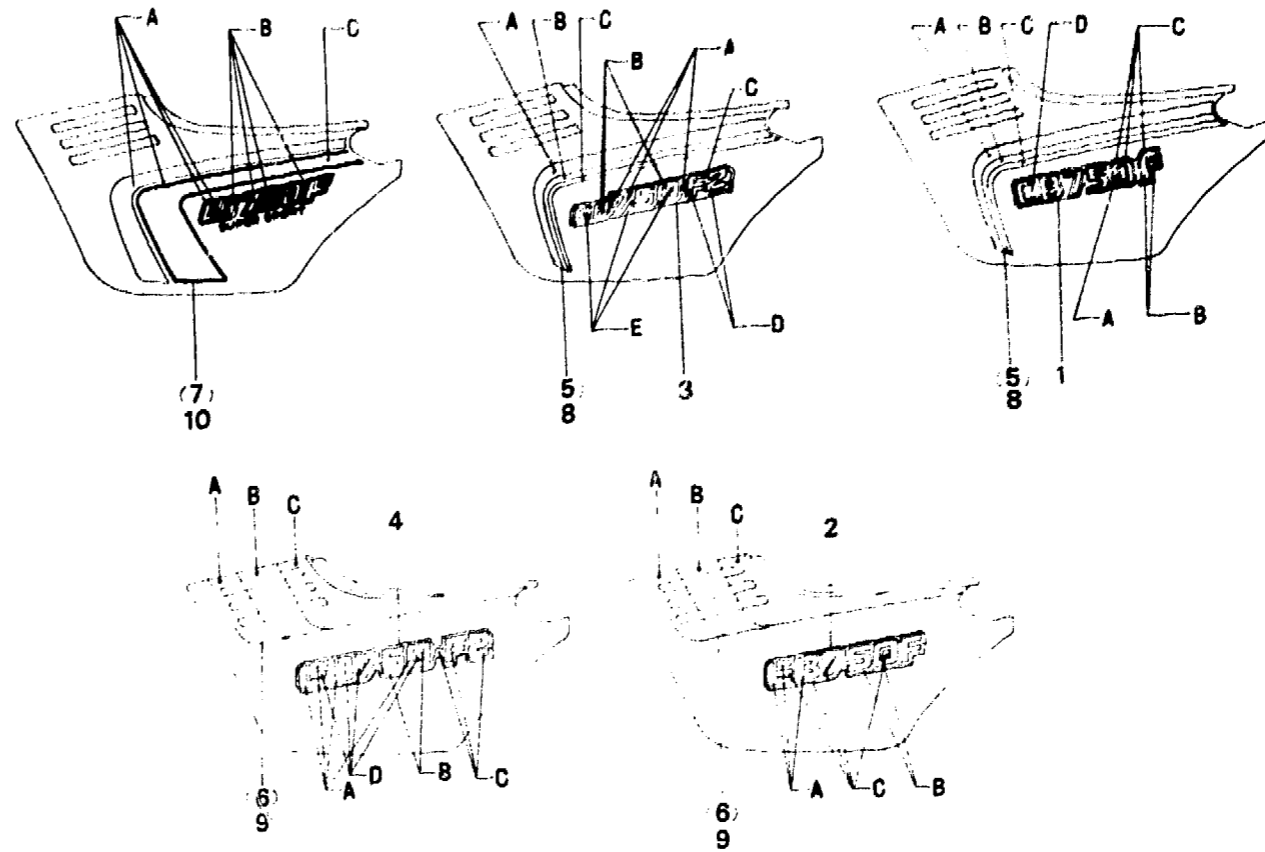
**F-36**

**Side cover stripe  
(CB750Fc·F2c·Fd·F2D)**

**Raie de couvercle latéral  
(CB750Fc·F2c·Fd·F2D)**

**Seitendeckel streifen  
(CB750Fc·F2c·Fd·F2D)**

**Franja de cubierta lateral  
(CB750Fc·F2c·Fd·F2D)**



BMC3-8

Service item	F.R.T.	Ref. No.	Part No.	Description	Reqd. No. CB750							Serial No.	Area code
					Fz	FA	Fb	Fc	F2c	Fd	F2D		
			87127-MC3-840ZB	MARK, SIDE COVER *TYPE 2*							2		
		5	87128-MC3-610ZA	STRIPE, R. SIDE COVER (A.M.) *TYPE 1*			1	1					DK,DM,E,ED,F,G SA,U
			87128-MC3-610ZB	STRIPE, R. SIDE COVER (A.M.) *TYPE 2*			1						DK,DM,E,ED,F,G SA,U
			87128-MC3-610ZC	STRIPE, R. SIDE COVER (A.M.) *TYPE 3*			1	1					DK,DM,E,ED,F,G SA,U
			87128-MC3-610ZD	STRIPE, R. SIDE COVER (A.M.) *TYPE 4*			1						DK,DM,E,ED,F,G SA,U
		6	87128-MC3-630ZA	STRIPE, R. SIDE COVER *TYPE 1*						1	1		
			87128-MC3-630ZB	STRIPE, R. SIDE COVER *TYPE 2*						1	1		
			87128-MC3-630ZC	STRIPE, R. SIDE COVER *TYPE 3*						1			
		7	87128-MC3-670ZA	STRIPE, R. SIDE COVER (A.M.) *TYPE-1*			1						CM
			87128-MC3-670ZB	STRIPE, R. SIDE COVER (A.M.) *TYPE-2*			1						CM

REFER TO BLOCK F-38-2, F-39-2 FOR COLOR CHART OF SIDE COVER STRIPE AND SIDE COVER MARK.

1982.09.20

E

2-H3

**2-H4**

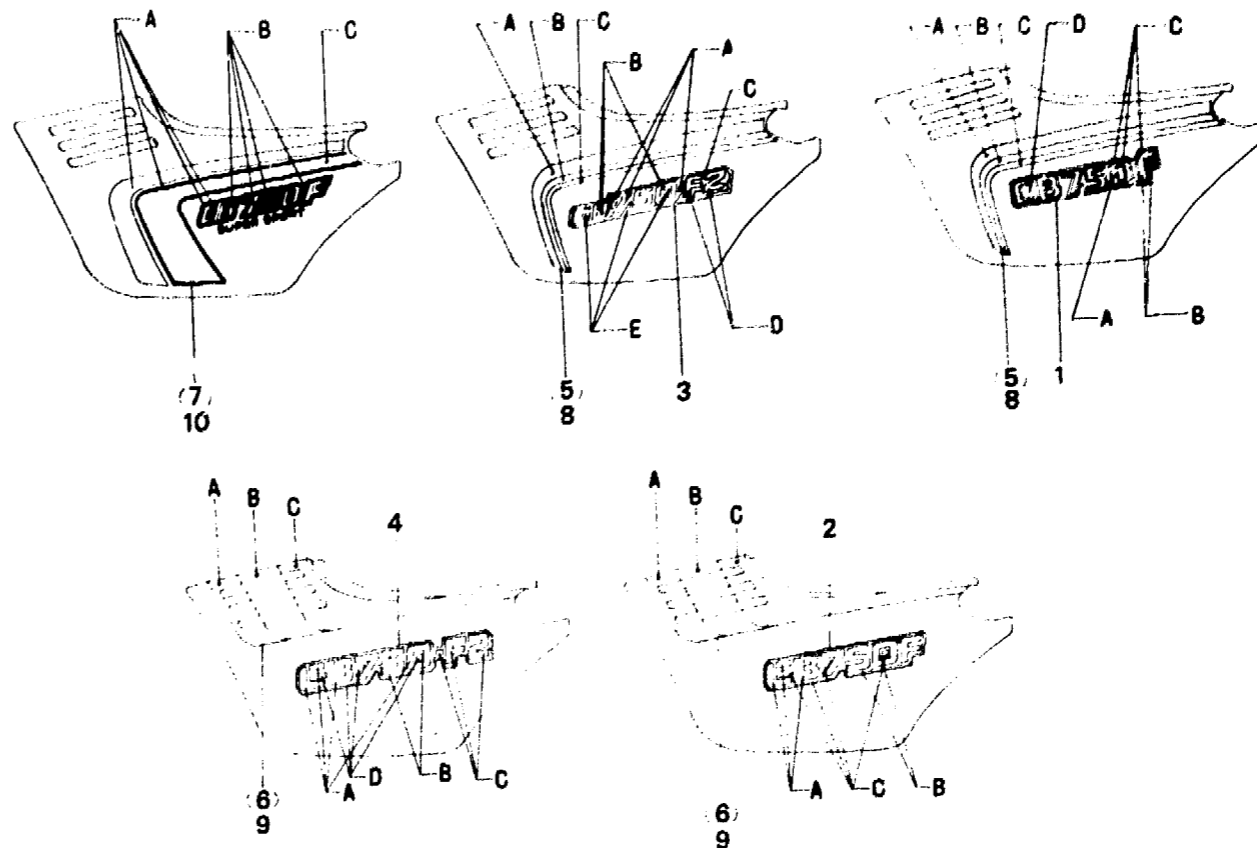
**F-36**

**Side cover stripe  
(CB750Fc·F2c·Fd·F2D)**

**Raie de couvercle latéral  
(CB750Fc·F2c·Fd·F2D)**

**Seitendeckel streifen  
(CB750Fc·F2c·Fd·F2D)**

**Franja de cubierta lateral  
(CB750Fc·F2c·Fd·F2D)**



BMC3-8

Service item	F.R.T.	Ref. No.	Part No.	Description	Reqd. No. CB750						Serial No.	Area code
					Fz	FA	Fb	Fc	F2c	Fd		
		8	87129-MC3-610ZA	STRIPE, L. SIDE COVER (A.M.) *TYPE 1*			1	1				DK,DM,E,ED,F,G SA,U
			87129-MC3-610ZB	STRIPE, L. SIDE COVER (A.M.) *TYPE 2*			1					DK,DM,E,ED,F,G SA,U
			87129-MC3-610ZC	STRIPE, L. SIDE COVER (A.M.) *TYPE 3*			1	1				DK,DM,E,ED,F,G SA,U
			87129-MC3-610ZD	STRIPE, L. SIDE COVER (A.M.) *TYPE 4*			1					DK,DM,E,ED,F,G SA,U
		9	87129-MC3-630ZA	STRIPE, L. SIDE COVER *TYPE 1*					1	1		
			87129-MC3-630ZB	STRIPE, L. SIDE COVER *TYPE 2*					1	1		
			87129-MC3-630ZC	STRIPE, L. SIDE COVER *TYPE 3*					1			
		10	87129-MC3-670ZA	STRIPE, L. SIDE COVER (A.M.) *TYPE-1*			1					CM
			87129-MC3-670ZB	STRIPE, L. SIDE COVER (A.M.) *TYPE-2*			1					CM

REFER TO BLOCK F-38-2, F-39-2 FOR COLOR CHART OF SIDE COVER STRIPE AND SIDE COVER MARK.

1982.09.20

E

2-H4



**2-H5**

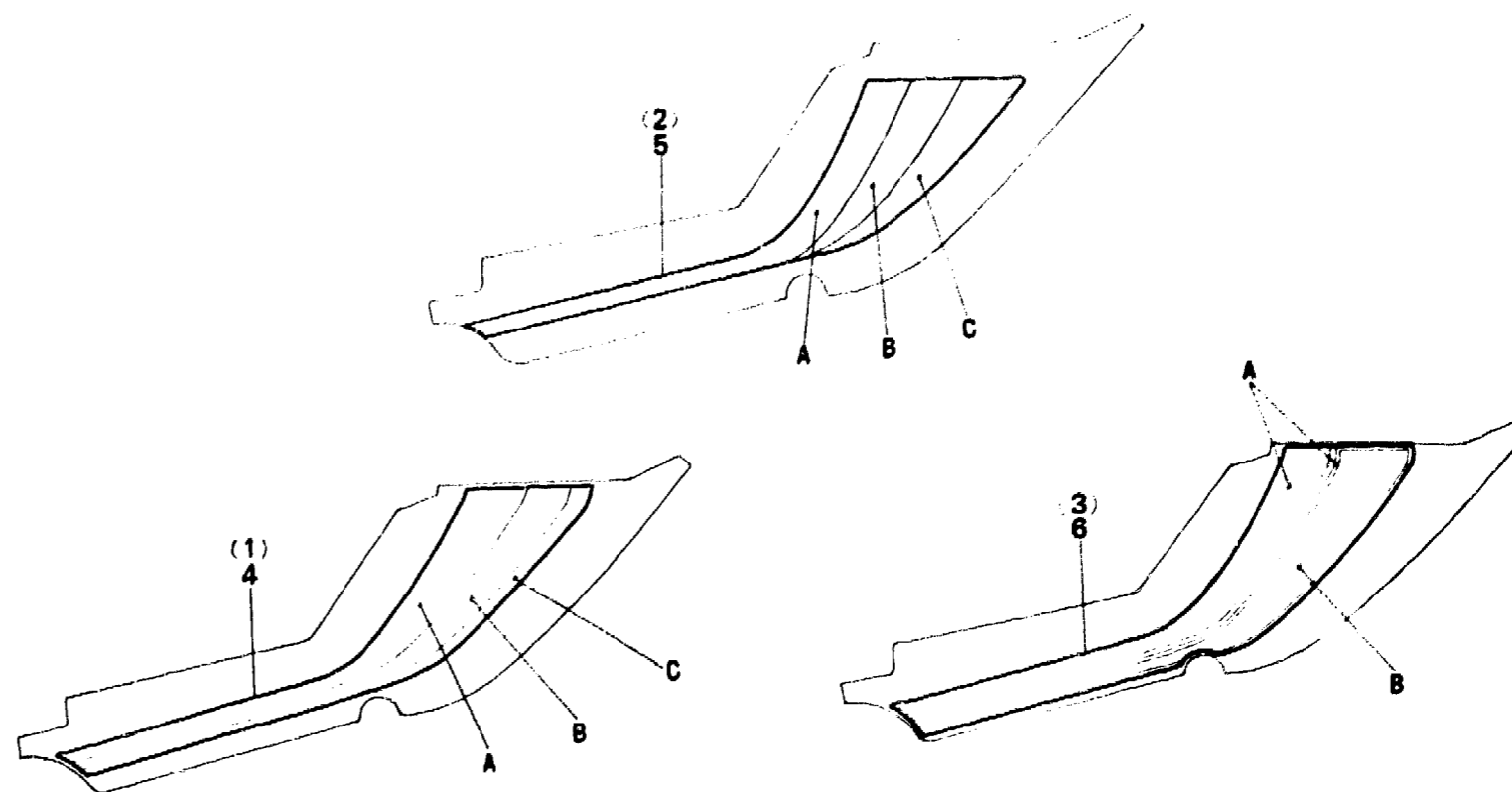
**F-37**

**Rear cowl stripe  
(CB750Fc·F2c·Fd·F2D)**

**Rayure d'auvent arrière  
(CB750Fc·F2c·Fd·F2D)**

**Hinteren Verkleidungsstreifen  
(CB750Fc·F2c·Fd·F2D)**

**Franja de cubratablero trasero  
(CB750Fc·F2c·Fd·F2D)**



BMC3-9

Service item	F.R.T.	Ref. No.	Part No.	Description	Reqd. No. CB750							Serial No.	Area code
					Fz	FA	Fb	Fc	F2c	Fd	F2D		
		1	87125-MC3-610ZA	STRIPE, R. REAR COWL (A.M.) *TYPE 1*					1	1			DK,DM,E,ED,F,G SA,U
			87125-MC3-610ZB	STRIPE, R. REAR COWL (A.M.) *TYPE 2*					1				DK,DM,E,ED,F,G SA,U
			87125-MC3-610ZC	STRIPE, R. REAR COWL (A.M.) *TYPE 3*					1	1			DK,DM,E,ED,F,G SA,U
			87125-MC3-610ZD	STRIPE, R. REAR COWL (A.M.) *TYPE 4*					1				DK,DM,E,ED,F,G SA,U
		2	87125-MC3-630ZA	STRIPE, R. RR. COWL *TYPE 1*							1	1	
			87125-MC3-630ZB	STRIPE, R. RR. COWL *TYPE 2*							1	1	
			87125-MC3-630ZC	STRIPE, R. RR. COWL *TYPE 3*							1		
		3	87126-MB7-670ZA	STRIPE, R. SEAT COWL (A.M.) *TYPE 1*					1				CM
			87126-MB7-670ZB	STRIPE, R. SEAT COWL (A.M.) *TYPE 2*					1				CM
		4	87126-MC3-610ZA	STRIPE, L. REAR COWL (A.M.) *TYPE 1*					1	1			DK,DM,E,ED,F,G SA,U

REFER TO BLOCK F-38-3, F-39-3 FOR COLOR CHART OF REAR COWL STRIPE.

1982.09.20

E

2-H5

**2-H6**

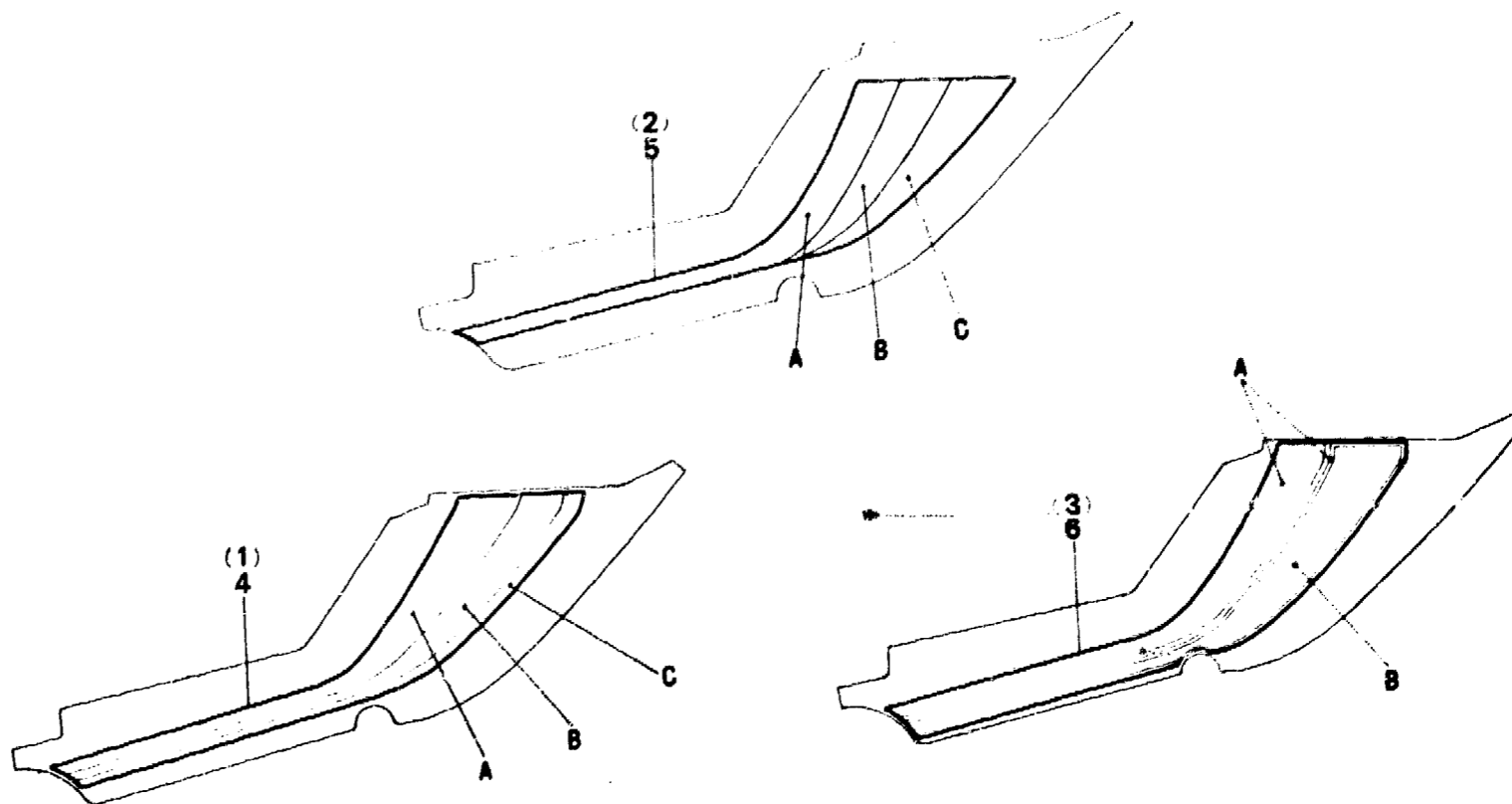
**F-37**

**Rear cowl stripe  
(CB750Fc·F2c·Fd·F2D)**

**Rayure d'auvent arrière  
(CB750Fc·F2c·Fd·F2D)**

**Hinteren Verkleidungsstreifen  
(CB750Fc·F2c·Fd·F2D)**

**Franja de cubratadero trasero  
(CB750Fc·F2c·Fd·F2D)**



BMC3-9

Service item	F.R.T.	Ref. No.	Part No.	Description	Reqd. No.								Serial No.	Area code
					Fz	FA	Fb	Fc	F2c	Fd	F2D	CB750		
			87126-MC3-610ZB	STRIPE, L. REAR COWL (A.M.) *TYPE 2*				1						DK,DM,E,ED,F,G SA,U
			87126-MC3-610ZC	STRIPE, L. REAR COWL (A.M.) *TYPE 3*				1	1					DK,DM,E,ED,F,G SA,U
			87126-MC3-610ZD	STRIPE, L. REAR COWL (A.M.) *TYPE 4*				1						DK,DM,E,ED,F,G SA,U
		5	87126-MC3-630ZA	STRIPE, L. RR. COWL *TYPE 1*							1	1		
			87126-MC3-630ZB	STRIPE, L. RR. COWL *TYPE 2*							1	1		
			87126-MC3-630ZC	STRIPE, L. RR. COWL *TYPE 3*							1			
		6	87127-MB7-670ZA	STRIPE, L. SEAT COWL (A.M.) *TYPE 1*				1						CM
			87127-MB7-670ZB	STRIPE, L. SEAT COWL (A.M.) *TYPE 2*				1						CM

REFER TO BLOCK F-38-3, F-39-3 FOR COLOR CHART OF REAR COWL STRIPE.

1982.09.20

E

2-H6

**2-H7**

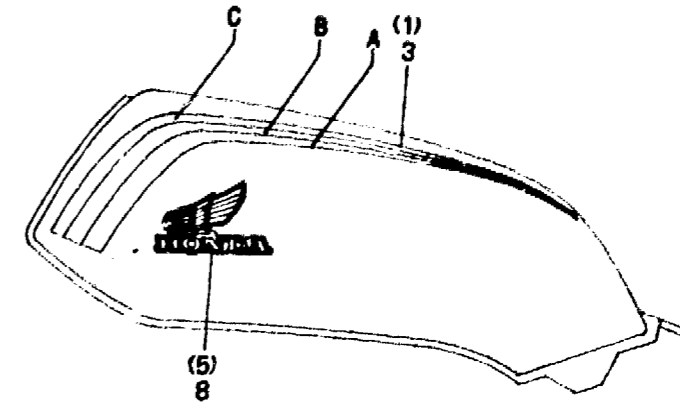
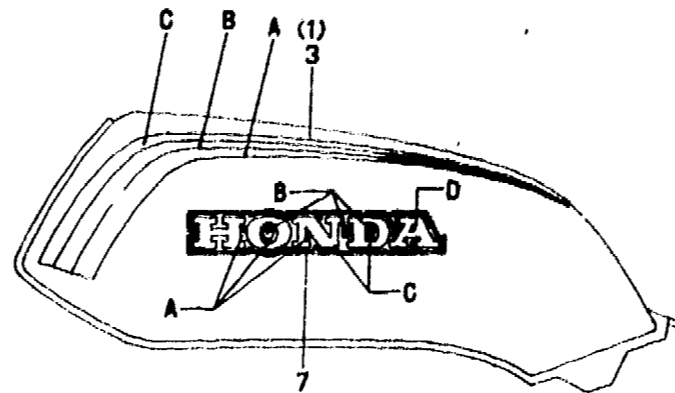
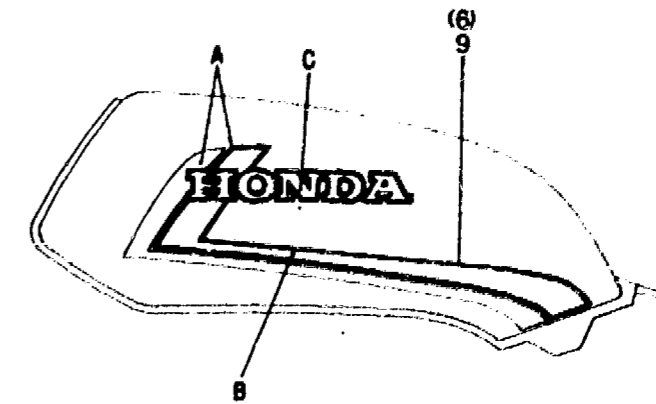
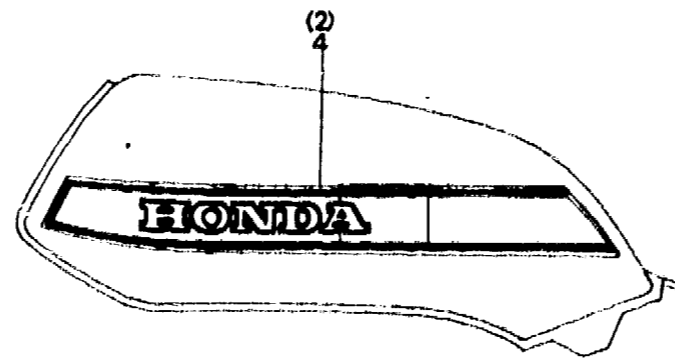
**F-38**

**Color chart (Fuel tank stripe-mark CB750Fc-F2c)**

**Table de couleur (Raie de réservoir d'essence-marque CB750Fc-F2c)**

**Farbentabelle (Benzintank-Streifen-Marke CB750Fc-F2c)**

**Tabla de color (Franja de tanque de combustible-marca CB750Fc-F2c)**



B445-47

**Color chart for fuel tank stripe(CB750Fc-CM)**

Type of stripe	Fuel tank main color	Position		
		A	B	C
TYPE-1	Black	Orange	Red	Pleiades silver metallic-U
TYPE-2	Pleiades silver metallic-U	Dark blue	Blue	Black

**Color chart for fuel tank stripe (CB750Fc,F2c-DK,DM,E,ED,F,G,SA,U)**

Type of stripe	Fuel tank main color	Position		
		A	B	C
TYPE-1	Pearl shell white	Blue	Blue metallic	Light blue metallic
TYPE-2	Candy flair blue-U	Blue metallic	Light blue metallic	Pale blue
TYPE-3	Black	Candy bourgogne red-U	Orange	Cream
TYPE-4	Candy bourgogne red-U	Dark brown	Orange	Orange

**Color chart for fuel tank mark (CB750Fc-DK,DM,E,ED,F,G,SA,U)**

Type of mark	Fuel tank main color	Position			
		A	B	C	D
TYPE-1	Pearl shell white	Silver	Transparent	Gold	Black
TYPE-2	Candy flair blue-U	Gold	Candy flair blue-U	Gold	Black
TYPE-3	Black	Gold	Black	Gold	Black
TYPE-4	Candy bourgogne red-U	Gold	Candy bourgogne red-U	Gold	Black

**2-H8**

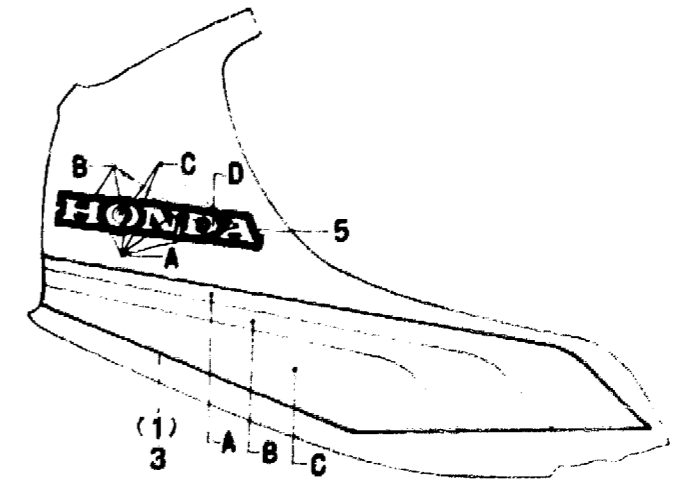
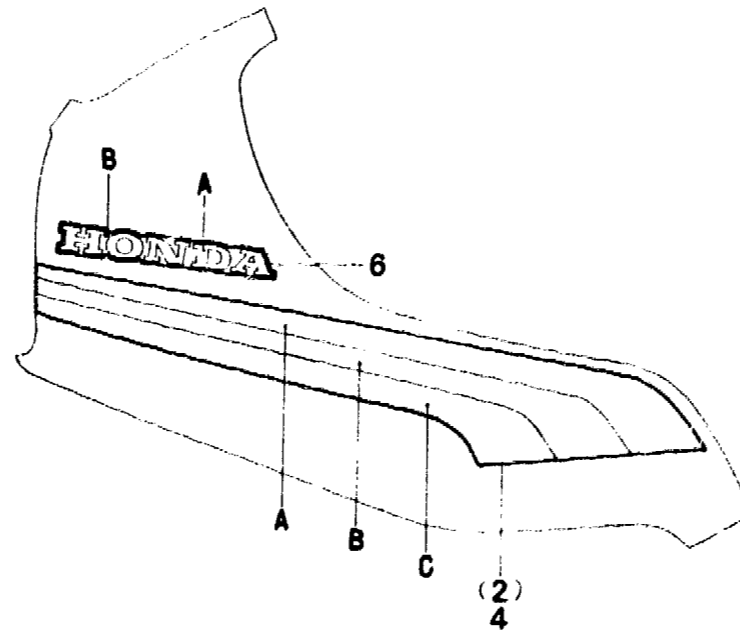
**F-38-1**

**Color chart (Fairing stripe-mark CB750F2c)**

**Table de couleur (Marque de profilage-marque CB750F2c)**

**Farbentabelle (Marque Verkleidung-Marke CB750F2c)**

**Tabla de color (Mavca carena-marca CB750F2c)**



BMC3-7

**Color chart for fairing stripe(CB750F2c)**

Type of stripe	Fuel tank main color	Position		
		A	B	C
TYPE-1	Pearl shell white	Blue	Blue metallic	Light blue metallic
TYPE-2	Black	Candy bourgogne red-U	Orange	Cream

**Color chart for fairing mark(CB750F2c)**

Type of mark	Fuel tank main color	Position			
		A	B	C	D
TYPE-1	Pearl shell white	Gold	Transparent	Silver	Black
TYPE-2	Black	Gold	Black	Gold	Black

**2-H9**

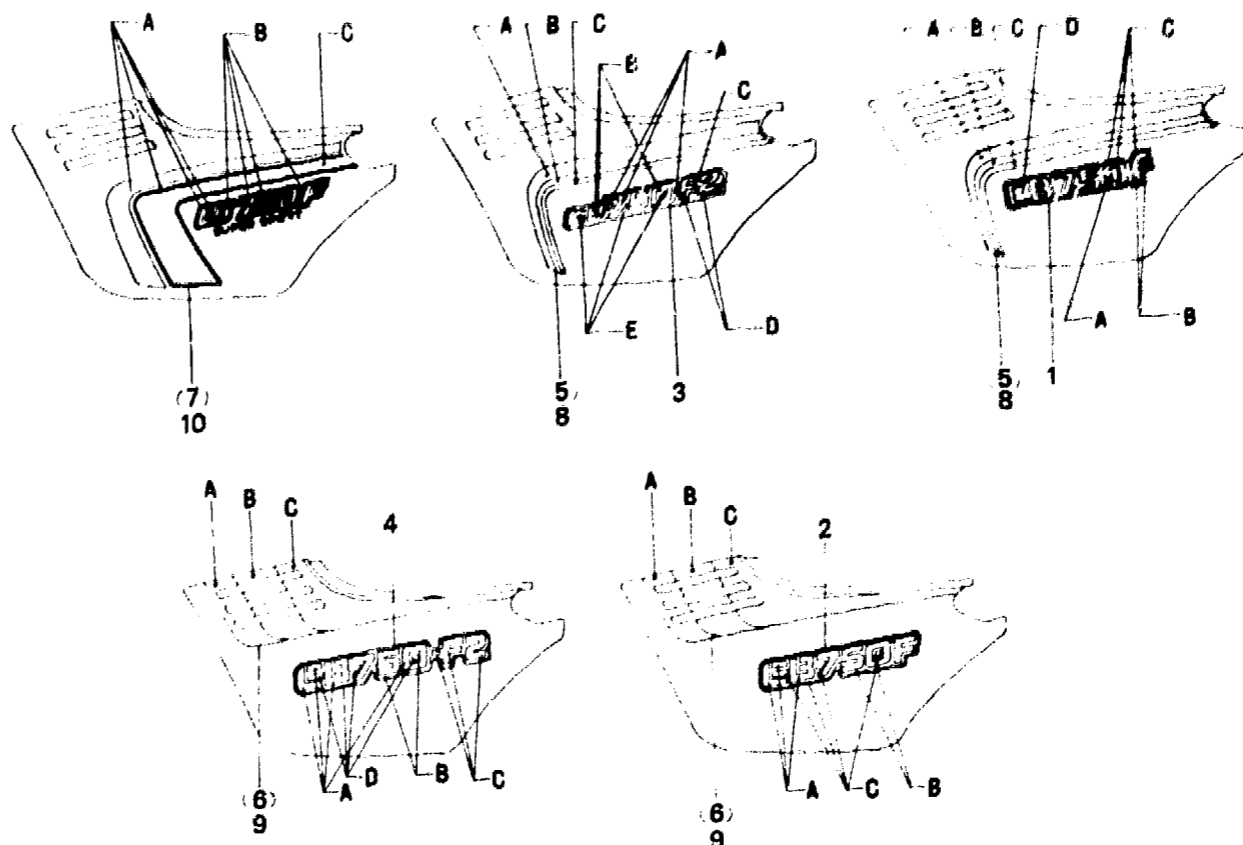
**F-38-2**

**Color chart (Side cover stripe-mark CB750Fc-F2c)**

**Table de couleur (Rayure de couvercle latéral-marque CB750Fc-F2c)**

**Farbentabelle (Seitendeckel Streifen-Marke CB750Fc-F2c)**

**Tabla de color (Franja de cubierta lateral-marca CB 750Fc-F2c)**



BMC3-8

**Color chart for side cover stripe(CB750Fc-CM)**

Type of stripe	Fuel tank main color	Position	A	B	C
Type-1	Black		Orange	Pleiades silver	Red
Type-2	Pleiades silver		Dark blue	Black	Blue

**Color chart for side cover mark CB750Fc-DK,DM,E,ED,F,G,SA,U)**

Type of mark	Fuel tank main color	Position	A	B	C	D
Type-1	Pearl shell white		Gold	Red	Black	Transparent
Type-2	Candy frair blue-U		Black	Red	Gold	Candy-frair blue-U
Type-3	Black		Black	Red	Gold	Black
Type-4	Candy bourgogne red-U		Black	Red	Gold	Candy bourgogne red-U

**Color chart for Side cover stripe (CB750Fc,F2c-DK,DM,E,ED,F,G,SA,U)**

Type of stripe	Fuel tank main color	Position	A	B	C
TYPE-1	Pearl shell white		Blue	Blue metallic	Light blue metallic
TYPE-2	Candy flair blue-U		Blue metallic	Light blue metallic	Pale blue
TYPE-3	Black		Candy bourgogne red-U	Orange	Cream
TYPE-4	Candy bourgogne red-U		Dark brown	Orange	Orange

**Color chart for side cover mark(CB750F2c)**

Type of mark	Fuel tank main color	Position	A	B	C	D	E
Type-1	Pearl shell white		Gold	Black	Red	Black	Transparent
Type-2	Black		Black	Gold	Gold	Red	Black

**2-H10**

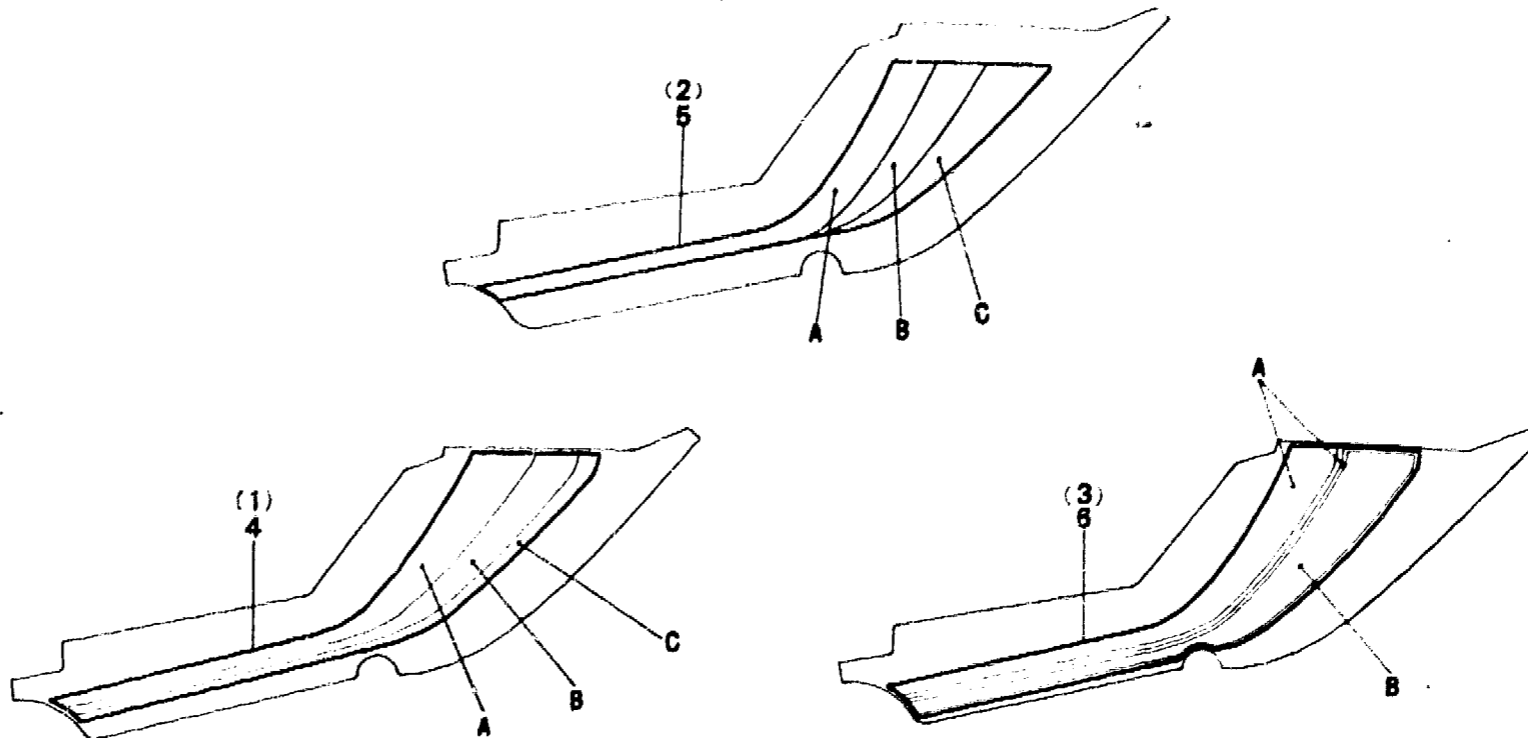
**F-38-3**

**Color chart (Rear cowl stripe CB750Fc-F2c)**

**Table de couleur (Rayure d'auvent arrière CB750Fc-F2c)**

**Farbentabelle (Hinterer Verkleidungsstreifen CB750Fc-F2c)**

**Tabla de color (Franja de cubratablero trasero CB750Fc-F2c)**



BMC3-9

**Color chart for rear cowl stripe (CB750Fc-CM)**

Type of stripe	Fuel tank main color	Position	
		A	B
TYPE-1	Black	Orange	Red
TYPE-2	Pleiades silver	Dark blue	Blue

**Color chart for rear cowl stripe (CB750Fc,F2c-DK,DM,E,ED,F,G,SA,U)**

Type of stripe	Fuel tank main color	Position		
		A	B	C
TYPE-1	Pearl shell white	Blue	Blue metallic	Light blue metallic
TYPE-2	Candy flair blue-U	Blue metallic	Light blue metallic	Pale blue
TYPE-3	Black	Candy bourgogne red-U	Orange	Cream
TYPE-4	Candy bourgogne red-U	Dark brown	Orange	Orange

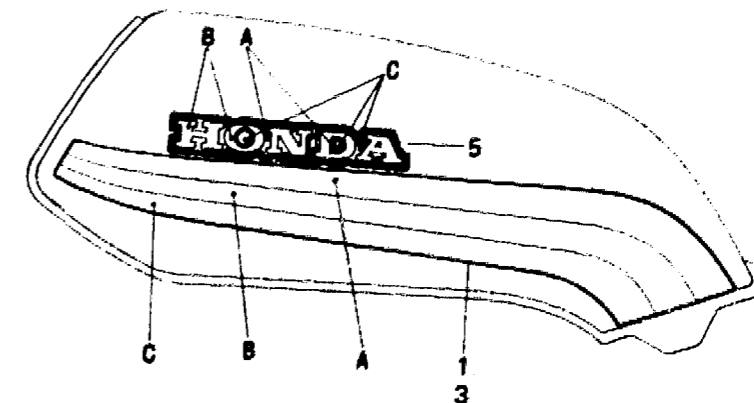
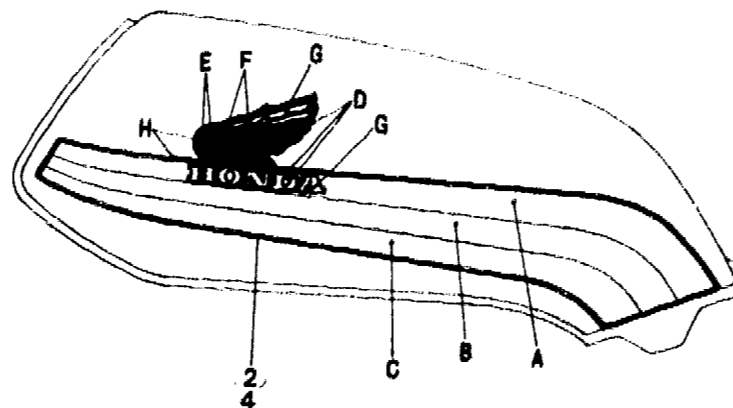
F-39

Color chart (Fuel tank stripe-mark CB750Fd·F2d)

Table de couleur (Raie de réservoir d'essence·marque CB750Fd·F2d)

Farbentabelle (Benzintank-Streifen·Marke CB750Fd·F2d)

Tabla de color (Franja de tanque de combustible·marca CB750Fd·F2d)



BMC3-6

Color chart for fuel tank stripe (CB750F2d)

Position		Fuel tank main color							
		A	B	C	D	E	F	G	H
Type of stripe									
TYPE 1	Monza red	Blue	Red	Ceramic white	Black	Silver	Silver	Pearl white	Monza red
TYPE 1	Peal shell white	Black	Blue	Blue	Black	Silver	Silver	Pearl white	Pearl shell white

Color chart for fuel tank stripe (CB750Fd)

Position		Fuel tank main color		
		A	B	C
Type of stripe				
TYPE 1	Monza red	Blue	Red	Ceramic white
TYPE 2	Peal shell white	Black	Blue	Blue
TYPE 3	Candy tanzanight-blue-U	Black	Blue	Blue

Color chart for fuel tank mark (CB750Fd)

Position		Fuel tank main color		
		A	B	C
Type of mark				
TYPE 1	Monza red	Black	Ceramic white	Monza red
TYPE 2	Peal shell white	Black	Blue	Pearl shell white
TYPE 3	Candy tanzanight-blue-U	Pearl shell white	Black	Candy tanzanight blue-U

**2-H12**

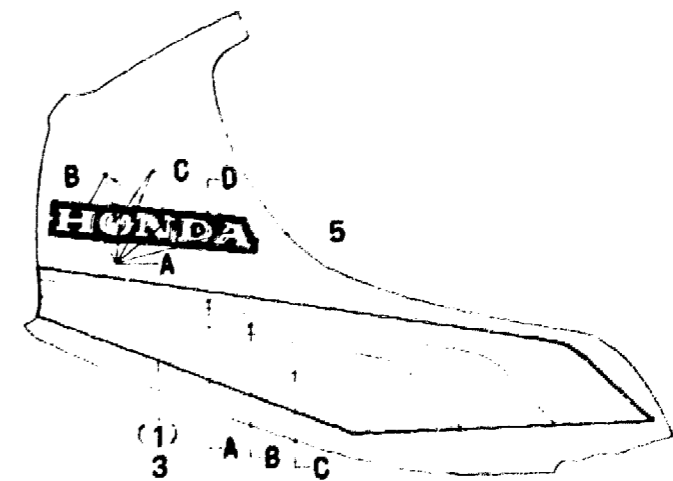
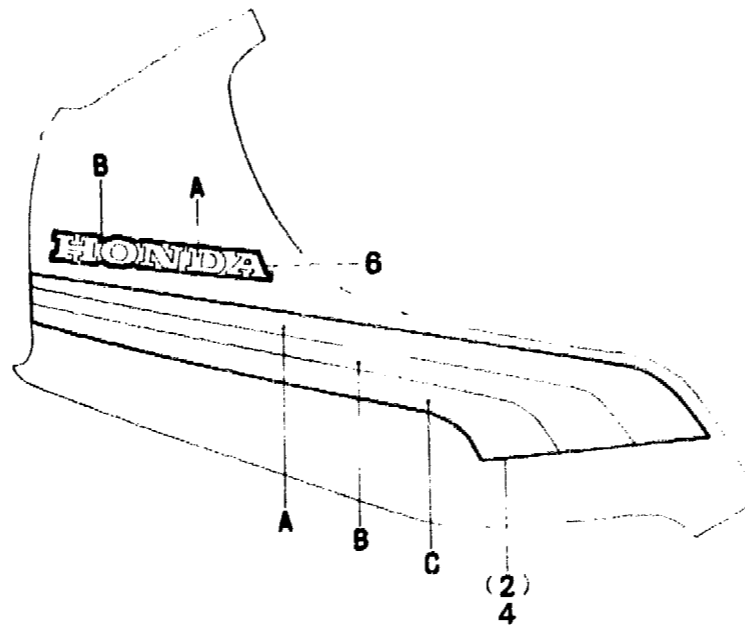
**F-39-1**

**Color chart (Fairing stripe·mark CB750F2D)**

**Table de couleur (Marque de profilage·marque CB750F2D)**

**Farbentabell (Marque Verkleidung·Marke CB750F2D)**

**Table de color (Mavca carena·marca CB750F2D)**



BMC3-7

**Color chart for fairing stripe (CB750F2D)**

Type of stripe	Fuel tank main color	Position		
		A	B	C
TYPE 1	Monza red	Blue	Red	Ceramic white
TYPE 2	Peal shell white	Black	Blue	Blue

**Color chart for fairing mark (CB750F2D)**

Type of mark	Fuel tank main color	Position	
		A	B
TYPE 1	Monza red	Ceramic white	Monza red
TYPE 2	Peal shell white	Blue	Peal shell white



**2-H13**

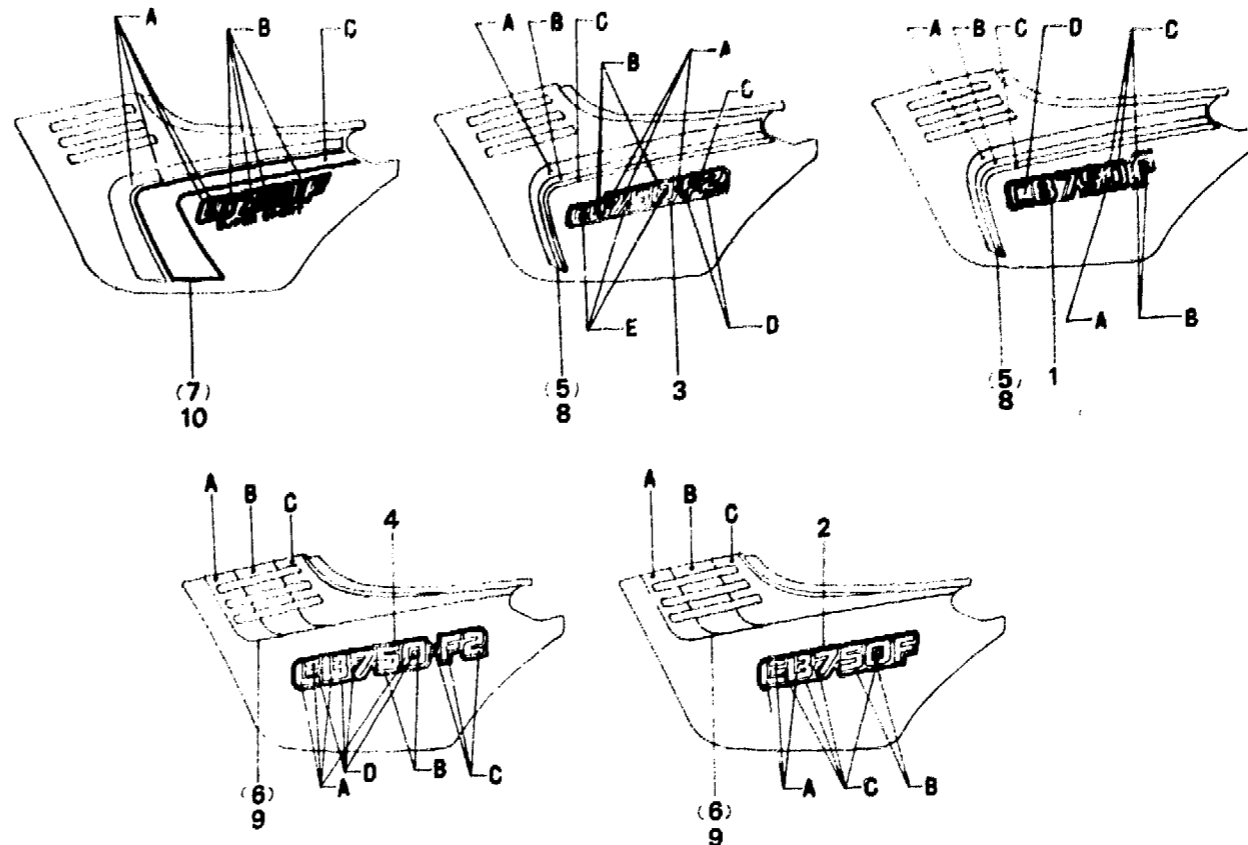
**F-39-2**

**Color chart (Side cover stripe-mark CB750F<sub>D</sub>, F2<sub>D</sub>)**

**Table de couleur (Rayure de couvercle latéral-marque CB750F<sub>D</sub>, F2<sub>D</sub>)**

**Farbentabelle (Seitendeckel Streifen-Marke CB750F<sub>D</sub>, F2<sub>D</sub>)**

**Table de color (Franja de cubierta lateral-marca CB750F<sub>D</sub>, F2<sub>D</sub>)**



BMC3-8

**Color chart for side cover mark (CB750F2<sub>D</sub>)**

Position		Fuel tank main color			
		A	B	C	D
Type of mark					
TYPE 1	Monza red	Ceramic white	Black	Ceramic white	Monza red
TYPE 2	Peal shell white	Blue	Black	Pearl shell white	Pearl shell white

**Color chart for side cover mark (CB750F<sub>D</sub>)**

Position		Fuel tank main color		
		A	B	C
Type of mark				
TYPE 1	Monza red	Ceramic white	Black	Monza red
TYPE 2	Peal shell white	Blue	Black	Pearl shell white
TYPE 3	Candy tanzanight-blue-U	Pearl shell white	Blue	Candy tanzanight-blue-U

**Color chart for side cover stripe (CB750F<sub>D</sub>-F2<sub>D</sub>)**

Position		Fuel tank main color		
		A	B	C
Type of stripe				
TYPE 1	Monza red	Blue	Red	Ceramic white
TYPE 2	Peal shell white	Black	Blue	Blue
TYPE 3	Candy tanzanight-blue-U	Black	Blue	Blue

**2-H1**

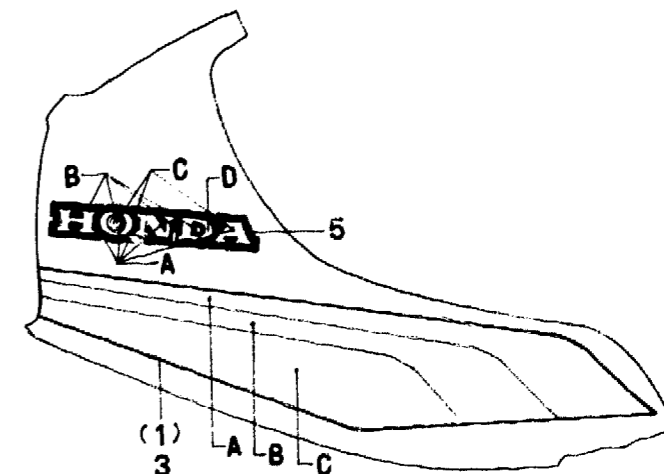
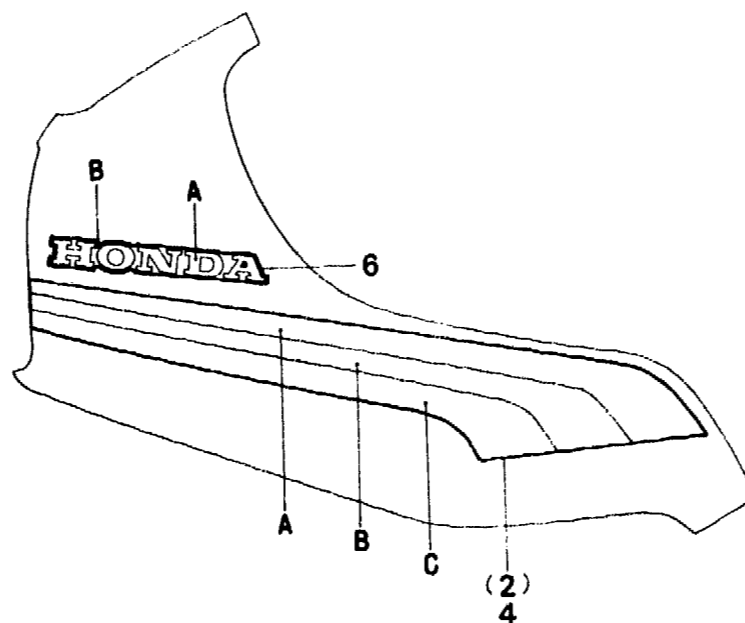
**F-35**

**Fairing stripe  
(CB750F2c-F2d)**

**Marque de profilage  
(CB750F2c-F2d)**

**Marque Verkleidung  
(CB750F2c-F2d)**

**Mavca carena  
(CB750F2c-F2d)**



BMC3-7

Service item	F.R.T.	Ref. No.	Part No.	Description	Reqd. No. CB750							Serial No.	Area code
					Fz	FA	Fb	Fc	F2c	Fd	F2d		
		1	87115-MC3-730ZA	STRIPE, R. FAIRING (A.M.) *TYPE 1*							1		
			87115-MC3-730ZB	STRIPE, R. FAIRING (A.M.) *TYPE 2*							1		
		2	87115-MC3-840ZA	STRIPE, R. FAIRING *TYPE 1*								1	
			87115-MC3-840ZB	STRIPE, R. FAIRING *TYPE 2*								1	
		3	87116-MC3-730ZA	STRIPE, L. FAIRING (A.M.) *TYPE 1*							1		
			87116-MC3-730ZB	STRIPE, L. FAIRING (A.M.) *TYPE 2*							1		
		4	87116-MC3-840ZA	STRIPE, L. FAIRING *TYPE 1*								1	
			87116-MC3-840ZB	STRIPE, L. FAIRING *TYPE 2*								1	
		5	87117-MC3-730ZA	MARK, FAIRING *TYPE 1*							2		
			87117-MC3-730ZB	MARK, FAIRING *TYPE 2*							2		
		6	87117-MC3-840ZA	MARK, FAIRING *TYPE 1*								2	
			87117-MC3-840ZB	MARK, FAIRING *TYPE 2*								2	

REFER TO BLOCK F38-1, F-39-1 FOR COLOR CHART OF FAIRING STRIPE AND FAIRING MARK.

1982.09.20

E

2-H1

**2-H2**

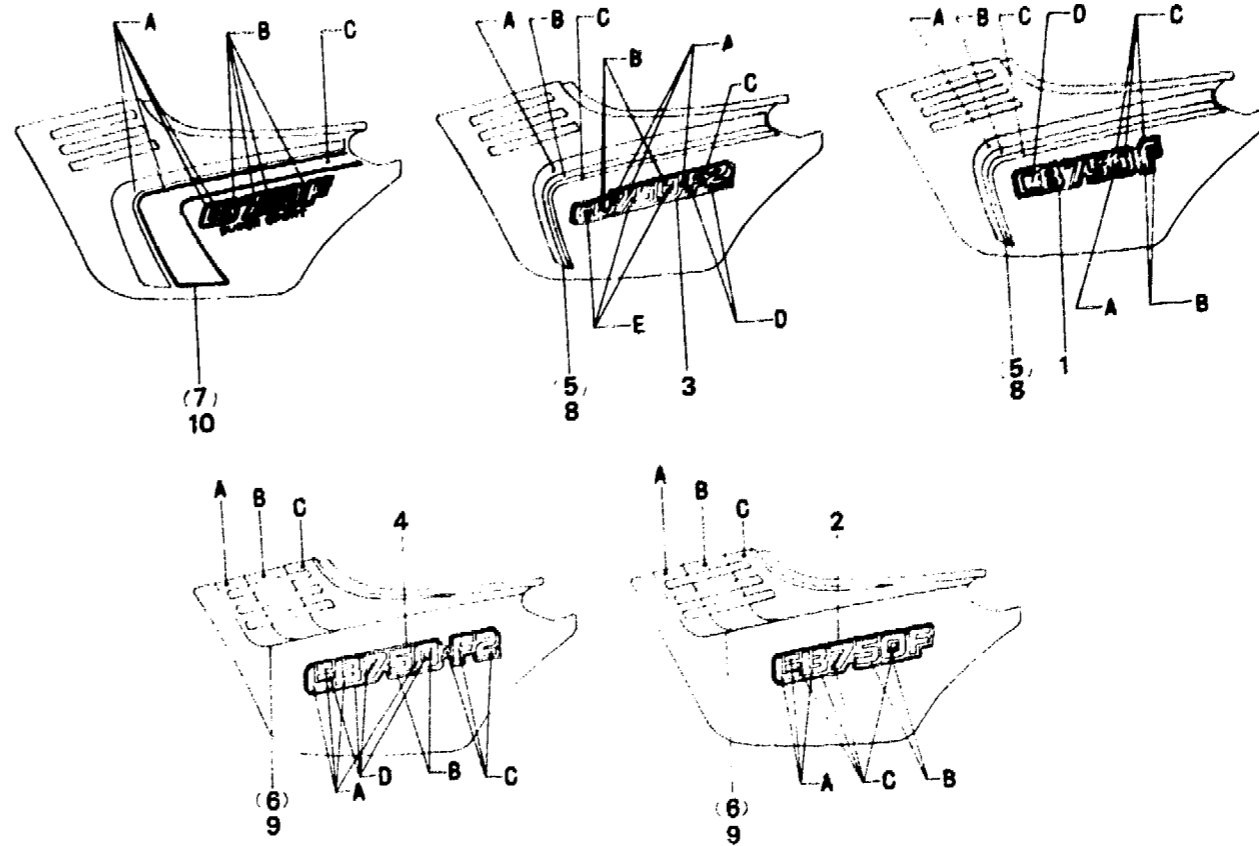
**F-36**

**Side cover stripe  
(CB750Fc·F2c·Fd·F2D)**

**Raie de couvercle latéral  
(CB750Fc·F2c·Fd·F2D)**

**Seitendeckel streifen  
(CB750Fc·F2c·Fd·F2D)**

**Franja de cubierta lateral  
(CB750Fc·F2c·Fd·F2D)**



BMC3-8

Service item	F.R.T.	Ref. No.	Part No.	Description	Reqd. No. CB750							Serial No.	Area code
					Fz	FA	Fb	Fc	F2c	Fd	F2D		
		1	87124-MC3-610ZA	MARK, SIDE COVER *TYPE 1*				2					DK,DM,E,ED,F,G SA,U
			87124-MC3-610ZB	MARK, SIDE COVER *TYPE 2*				2					DK,DM,E,ED,F,G SA,U
			87124-MC3-610ZC	MARK, SIDE COVER *TYPE 3*				2					DK,DM,E,ED,F,G SA,U
			87124-MC3-610ZD	MARK, SIDE COVER *TYPE 4*				2					DK,DM,E,ED,F,G SA,U
		2	87124-MC3-630ZA	MARK, SIDE COVER *TYPE 1*							2		
			87124-MC3-630ZB	MARK, SIDE COVER *TYPE 2*							2		
			87124-MC3-630ZC	MARK, SIDE COVER *TYPE 3*							2		
		3	87124-MC3-730ZA	MARK, SIDE COVER *TYPE 1*					2				
			87124-MC3-730ZB	MARK, SIDE COVER *TYPE 2*					2				
		4	87127-MC3-840ZA	MARK, SIDE COVER *TYPE 1*								2	

REFER TO BLOCK F-38-2, F-39-2 FOR COLOR CHART OF SIDE COVER STRIPE AND SIDE COVER MARK.

1982.09.20

E

2-H2

**2-H3**

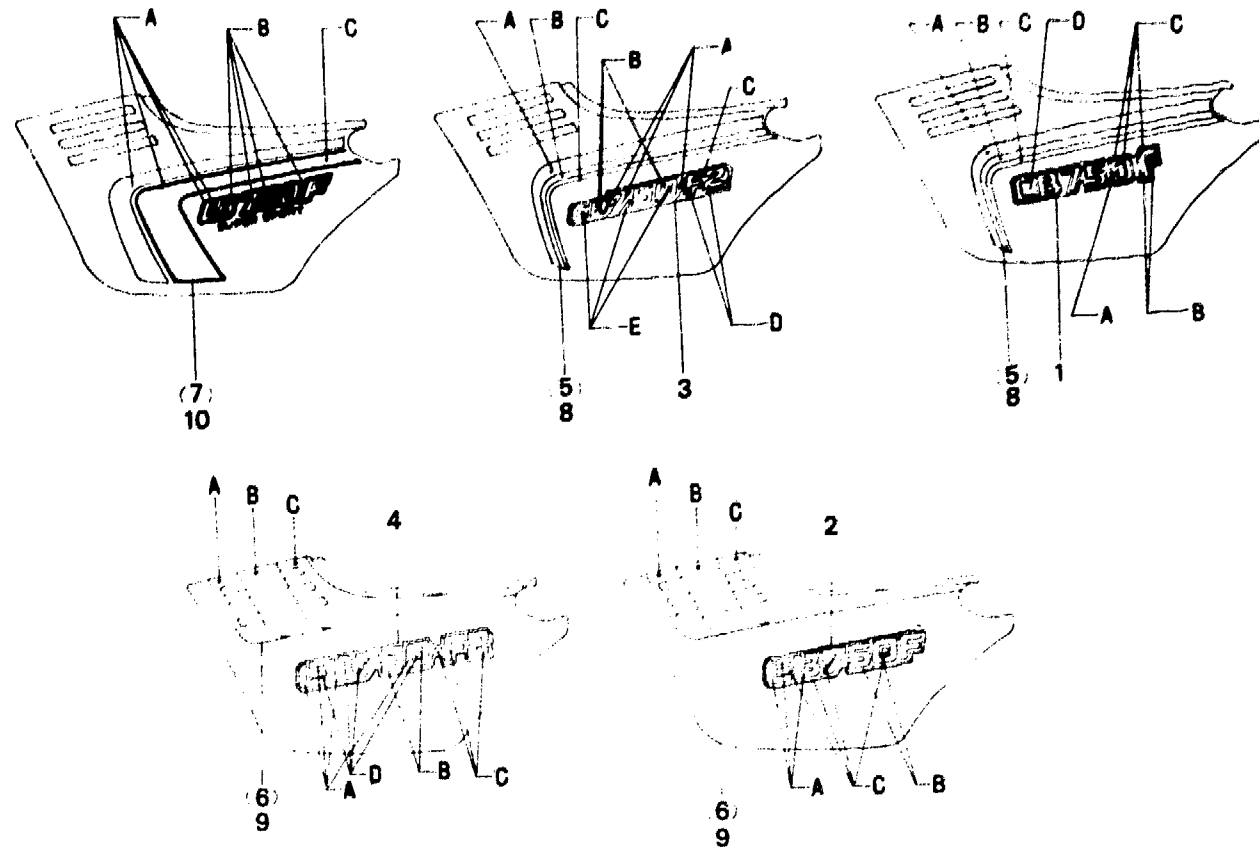
**F-36**

**Side cover stripe  
(CB750Fc·F2c·Fd·F2d)**

**Raie de couvercle latéral  
(CB750Fc·F2c·Fd·F2d)**

**Seitendeckel streifen  
(CB750Fc·F2c·Fd·F2d)**

**Franja de cubierta lateral  
(CB750Fc·F2c·Fd·F2d)**



BMC3-8

Service item	F.R.T.	Ref. No.	Part No.	Description	Reqd. No. CB750						Serial No.	Area code	
					Fz	FA	Fb	Fc	F2c	Fd			F2d
			87127-MC3-840ZB	MARK, SIDE COVER *TYPE 2*							2		
		5	87128-MC3-610ZA	STRIPE, R. SIDE COVER (A.M.) *TYPE 1*				1	1				DK,DM,E,ED,F,G SA,U
			87128-MC3-610ZB	STRIPE, R. SIDE COVER (A.M.) *TYPE 2*				1					DK,DM,E,ED,F,G SA,U
			87128-MC3-610ZC	STRIPE, R. SIDE COVER (A.M.) *TYPE 3*				1	1				DK,DM,E,ED,F,G SA,U
			87128-MC3-610ZD	STRIPE, R. SIDE COVER (A.M.) *TYPE 4*				1					DK,DM,E,ED,F,G SA,U
		6	87128-MC3-630ZA	STRIPE, R. SIDE COVER *TYPE 1*						1	1		
			87128-MC3-630ZB	STRIPE, R. SIDE COVER *TYPE 2*						1	1		
			87128-MC3-630ZC	STRIPE, R. SIDE COVER *TYPE 3*						1			
		7	87128-MC3-670ZA	STRIPE, R. SIDE COVER (A.M.) *TYPE-1*				1					CM
			87128-MC3-670ZB	STRIPE, R. SIDE COVER (A.M.) *TYPE-2*				1					CM

REFER TO BLOCK F-38-2, F-39-2 FOR COLOR CHART OF SIDE COVER STRIPE AND SIDE COVER MARK.

1982.09.20

E

2-H3

**2-H4**

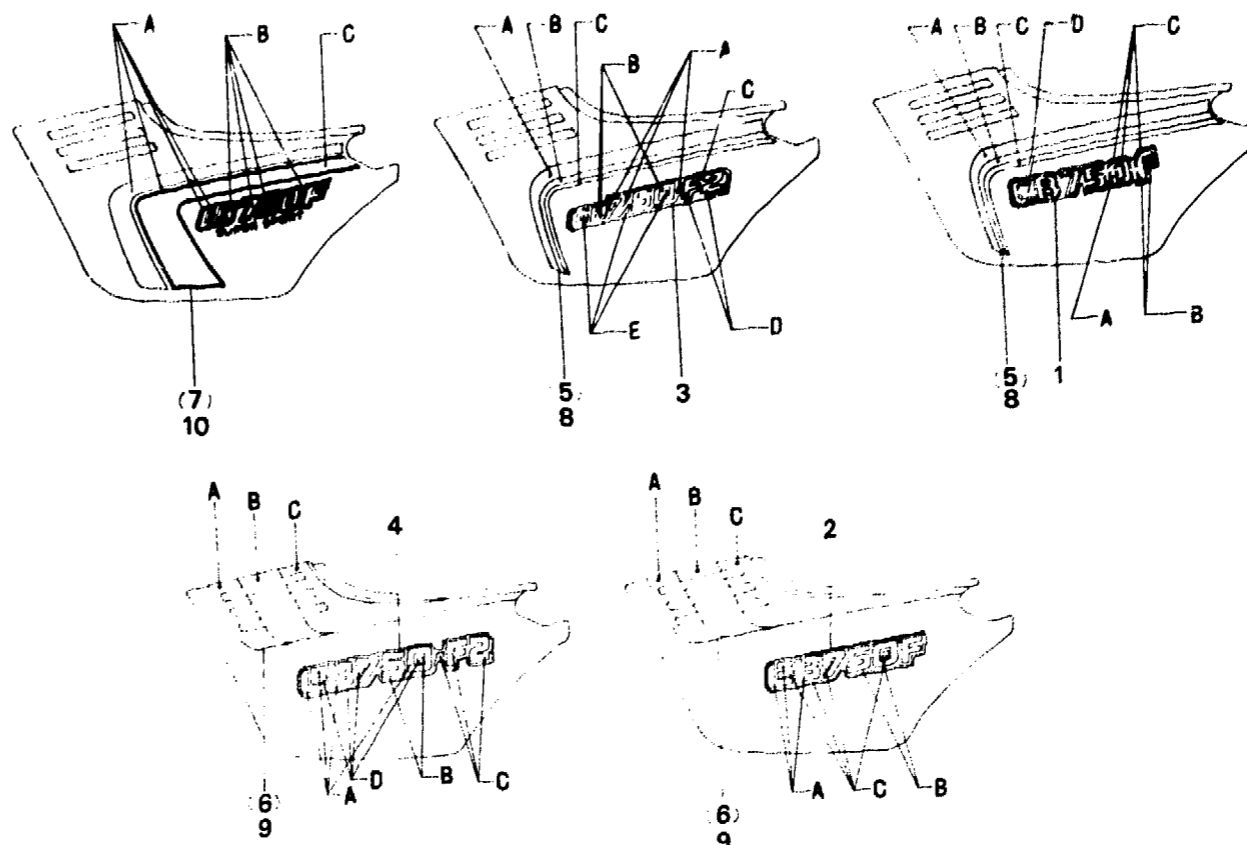
**F-36**

**Side cover stripe  
(CB750Fc·F2c·Fd·F2D)**

**Raie de couvercle latéral  
(CB750Fc·F2c·Fd·F2D)**

**Seitendeckel streifen  
(CB750Fc·F2c·Fd·F2D)**

**Franja de cubierta lateral  
(CB750Fc·F2c·Fd·F2D)**



BMC3-8

Service item	F.R.T.	Ref. No.	Part No.	Description	Reqd. No. CB750						Serial No.	Area code
					Fz	FA	Fb	Fc	F2c	Fd		
		8	87129-MC3-610ZA	STRIPE, L. SIDE COVER (A.M.) *TYPE 1*				1	1			DK,DM,E,ED,F,G SA,U
			87129-MC3-610ZB	STRIPE, L. SIDE COVER (A.M.) *TYPE 2*				1				DK,DM,E,ED,F,G SA,U
			87129-MC3-610ZC	STRIPE, L. SIDE COVER (A.M.) *TYPE 3*				1	1			DK,DM,E,ED,F,G SA,U
			87129-MC3-610ZD	STRIPE, L. SIDE COVER (A.M.) *TYPE 4*				1				DK,DM,E,ED,F,G SA,U
		9	87129-MC3-630ZA	STRIPE, L. SIDE COVER *TYPE 1*						1	1	
			87129-MC3-630ZB	STRIPE, L. SIDE COVER *TYPE 2*						1	1	
			87129-MC3-630ZC	STRIPE, L. SIDE COVER *TYPE 3*						1		
		10	87129-MC3-670ZA	STRIPE, L. SIDE COVER (A.M.) *TYPE-1*				1				CM
			87129-MC3-670ZB	STRIPE, L. SIDE COVER (A.M.) *TYPE-2*				1				CM

REFER TO BLOCK F-38-2, F-39-2 FOR COLOR CHART OF SIDE COVER STRIPE AND SIDE COVER MARK.

1982.09.20

E

2-H4

**2-H5**

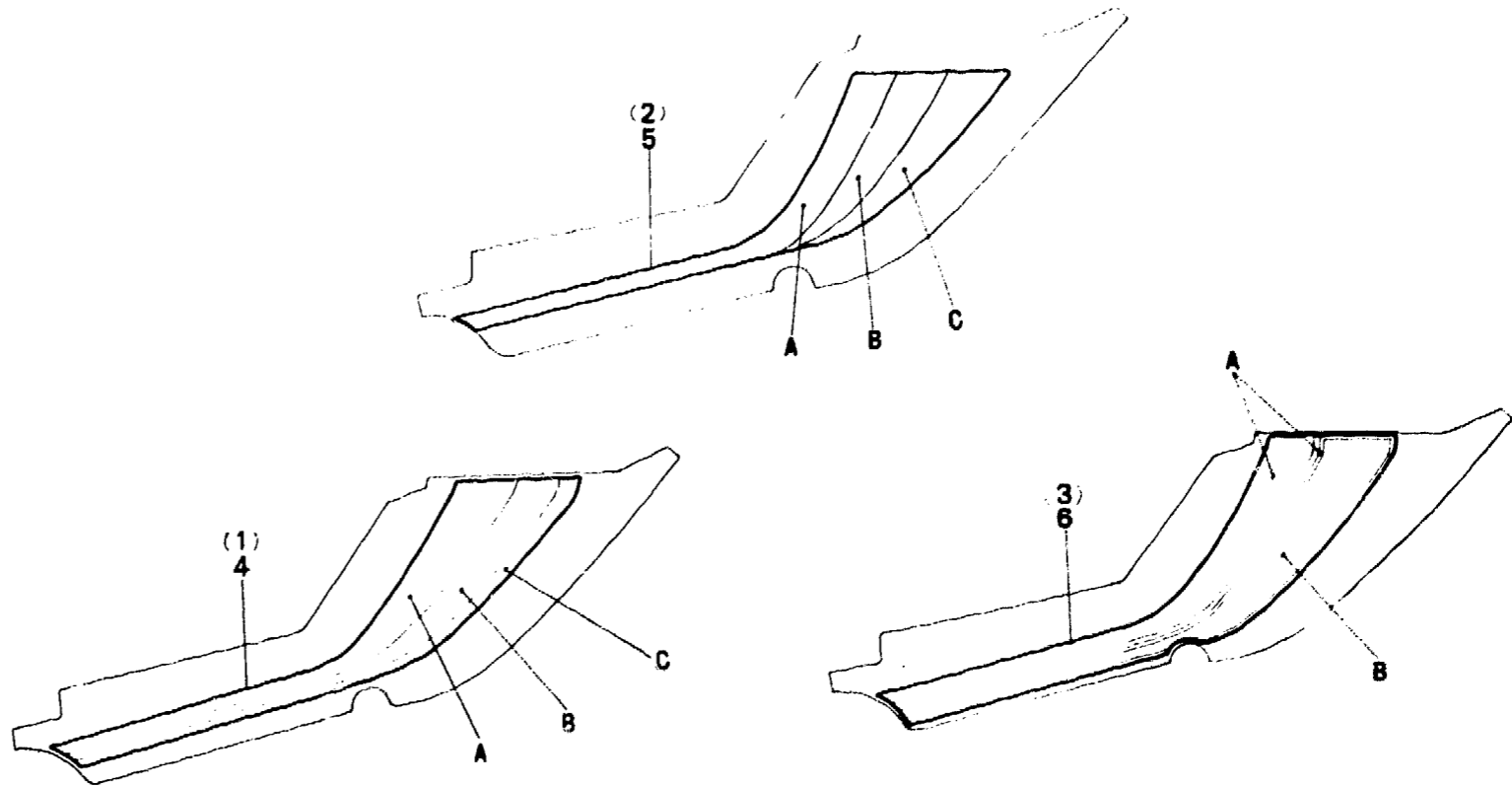
**F-37**

**Rear cowl stripe  
(CB750Fc·F2c·Fd·F2D)**

**Rayure d'auvent arrière  
(CB750Fc·F2c·Fd·F2D)**

**Hinteren Verkleidungsstreifen  
(CB750Fc·F2c·Fd·F2D)**

**Franja de cubratablero trasero  
(CB750Fc·F2c·Fd·F2D)**



BMC3-9

Service item	F.R.T.	Ref. No.	Part No.	Description	Reqd. flo. CB750							Serial No.	Area code
					Fz	FA	Fb	Fc	F2c	Fd	F2D		
		1	87125-MC3-610ZA	STRIPE, R. REAR COWL (A.M.) *TYPE 1*				1	1				DK,DM,E,ED,F,G SA,U
			87125-MC3-610ZB	STRIPE, R. REAR COWL (A.M.) *TYPE 2*				1					DK,DM,E,ED,F,G SA,U
			87125-MC3-610ZC	STRIPE, R. REAR COWL (A.M.) *TYPE 3*				1	1				DK,DM,E,ED,F,G SA,U
			87125-MC3-610ZD	STRIPE, R. REAR COWL (A.M.) *TYPE 4*				1					DK,DM,E,ED,F,G SA,U
		2	87125-MC3-630ZA	STRIPE, R. RR. COWL *TYPE 1*						1	1		
			87125-MC3-630ZB	STRIPE, R. RR. COWL *TYPE 2*						1	1		
			87125-MC3-630ZC	STRIPE, R. RR. COWL *TYPE 3*						1			
		3	87126-MB7-670ZA	STRIPE, R. SEAT COWL (A.M.) *TYPE 1*				1					CM
			87126-MB7-670ZB	STRIPE, R. SEAT COWL (A.M.) *TYPE 2*				1					CM
		4	87126-MC3-610ZA	STRIPE, L. REAR COWL (A.M.) *TYPE 1*				1	1				DK,DM,E,ED,F,G SA,U

REFER TO BLOCK F-38-3, F-39-3 FOR COLOR CHART OF REAR COWL STRIPE.

1982.09.20

E

2-H5

**2-H6**

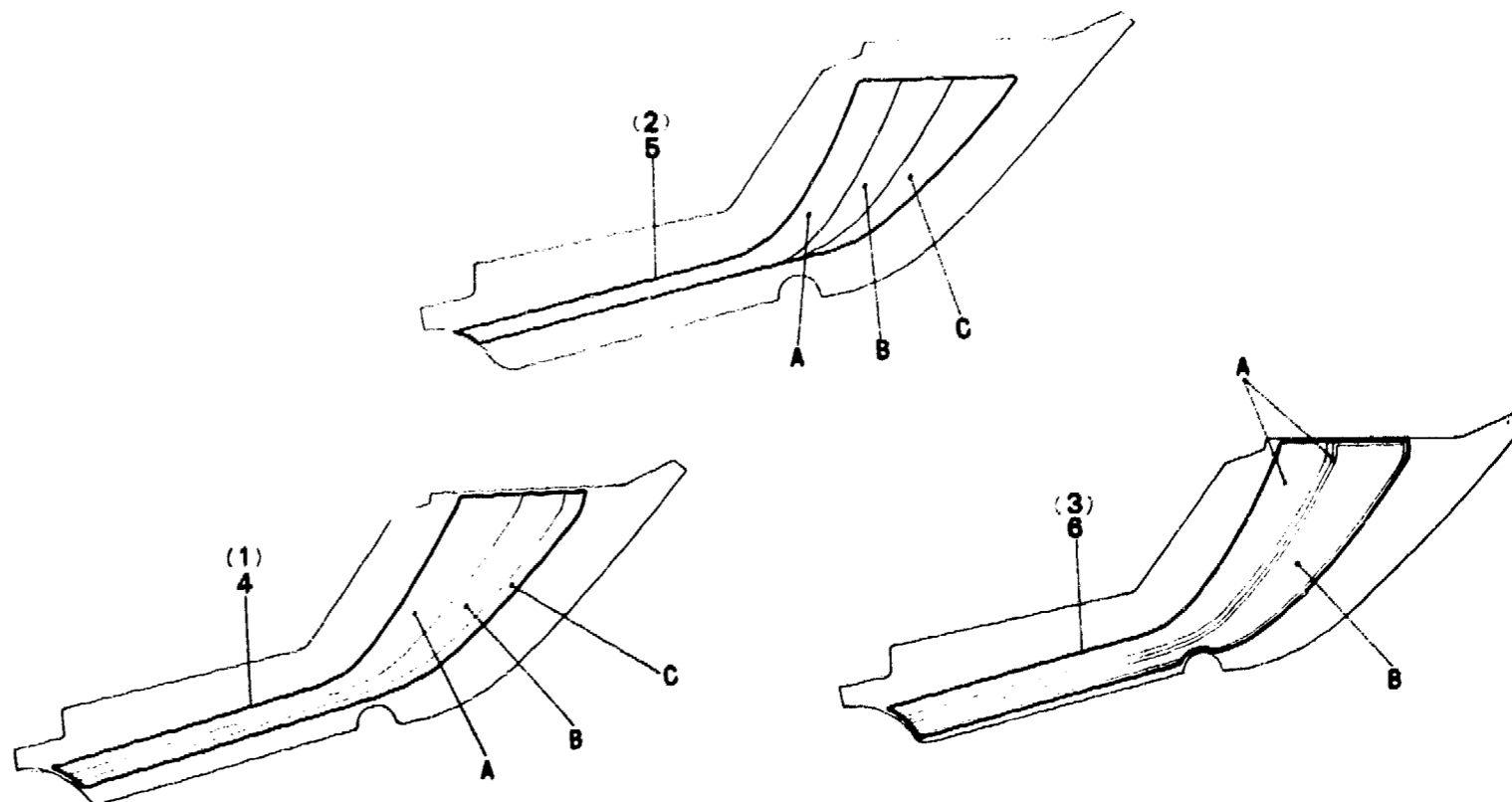
**F-37**

**Rear cowl stripe  
(CB750Fc·F2c·Fd·F2D)**

**Rayure d'auvent arrière  
(CB750Fc·F2c·Fd·F2D)**

**Hinteren Verkleidungsstreifen  
(CB750Fc·F2c·Fd·F2D)**

**Franja de cubratablero trasero  
(CB750Fc·F2c·Fd·F2D)**



BMC3-9

Service item	F.R.T.	Ref. No.	Part No.	Description	Reqd. No. CB750							Serial No.	Area code
					Fz	FA	Fb	Fc	F2c	Fd	F2D		
			87126-MC3-610ZB	STRIPE, L. REAR COWL (A.M.) *TYPE 2*				1					DK,DM,E,ED,F,G SA,U
			87126-MC3-610ZC	STRIPE, L. REAR COWL (A.M.) *TYPE 3*				1	1				DK,DM,E,ED,F,G SA,U
			87126-MC3-610ZD	STRIPE, L. REAR COWL (A.M.) *TYPE 4*				1					DK,DM,E,ED,F,G SA,U
		5	87126-MC3-630ZA	STRIPE, L. RR. COWL *TYPE 1*						1	1		
			87126-MC3-630ZB	STRIPE, L. RR. COWL *TYPE 2*						1	1		
			87126-MC3-630ZC	STRIPE, L. RR. COWL *TYPE 3*						1			
		6	87127-MB7-670ZA	STRIPE, L. SEAT COWL (A.M) *TYPE 1*				1					CM
			87127-MB7-670ZB	STRIPE, L. SEAT COWL (A.M) *TYPE 2*				1					CM

REFER TO BLOCK F-38-3, F-39-3 FOR COLOR CHART OF REAR COWL STRIPE.

1982.09.20

E

2-H6

**2-H7**

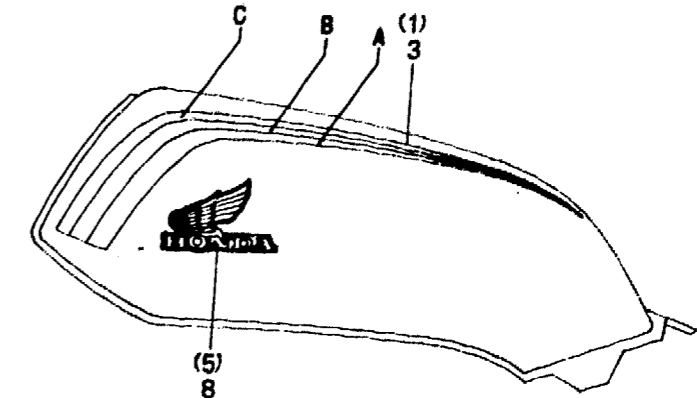
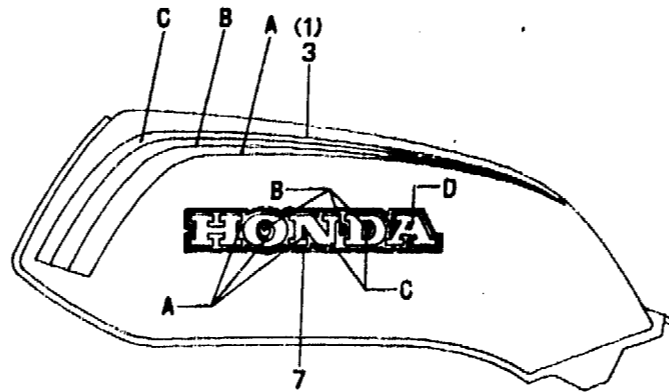
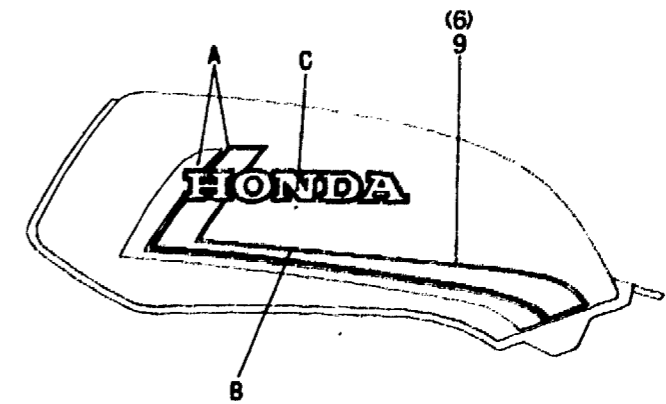
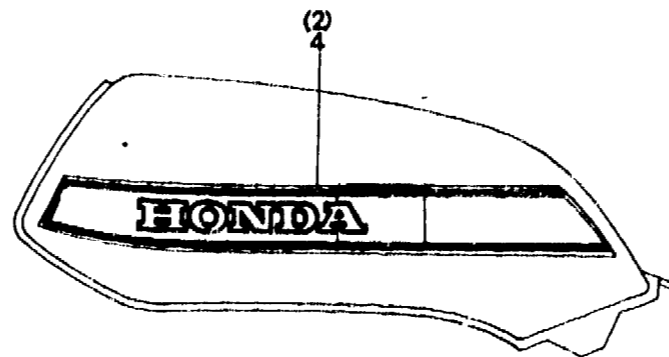
**F-38**

**Color chart (Fuel tank stripe-mark CB750Fc-F2c)**

**Table de couleur (Raie de réservoir d'essence-marque CB750Fc-F2c)**

**Farbentabelle (Benzintank-Streifen-Marke CB750Fc-F2c)**

**Tabla de color (Franja de tanque de combustible-marca CB750Fc-F2c)**



B445-47

**Color chart for fuel tank stripe(CB750Fc-CM)**

		Position		
Type of stripe	Fuel tank main color	A	B	C
TYPE-1	Black	Orange	Red	Pleiades silver metallic-U
TYPE-2	Pleiades silver metallic-U	Dark blue	Blue	Black

**Color chart for fuel tank stripe (CB750Fc-F2c-DK,DM,E,ED,F,G,SA,U)**

		Position		
Type of stripe	Fuel tank main color	A	B	C
TYPE-1	Pearl shell white	Blue	Blue metallic	Light blue metallic
TYPE-2	Candy flair blue-U	Blue metallic	Light blue metallic	Pale blue
TYPE-3	Black	Candy bourgogne red-U	Orange	Cream
TYPE-4	Candy bourgogne red-U	Dark brown	Orange	Orange

**Color chart for fuel tank mark (CB750Fc-DK,DM,E,ED,F,G,SA,U)**

		Position			
Type of mark	Fuel tank main color	A	B	C	D
TYPE-1	Pearl shell white	Silver	Transparent	Gold	Black
TYPE-2	Candy flair blue-U	Gold	Candy flair blue-U	Gold	Black
TYPE-3	Black	Gold	Black	Gold	Black
TYPE-4	Candy bourgogne red-U	Gold	Candy bourgogne red-U	Gold	Black



**2-H8**

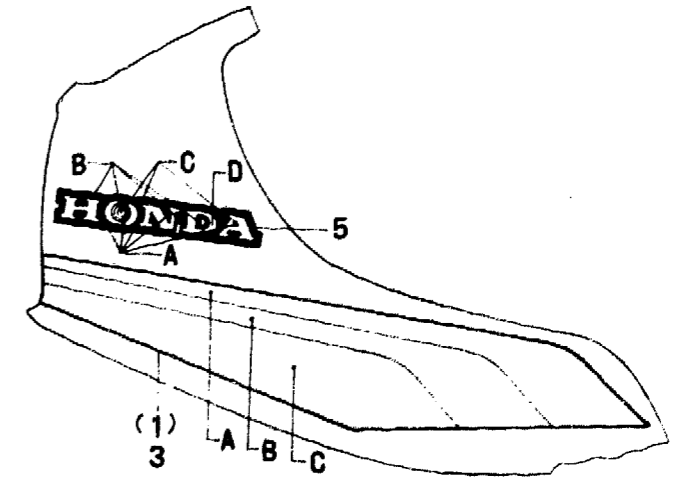
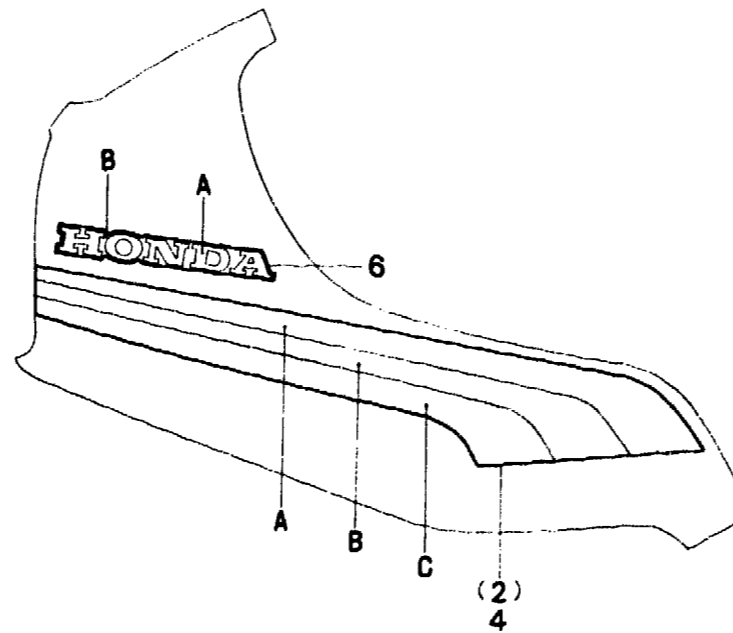
**F-38-1**

**Color chart (Fairing stripe-mark CB750F2c)**

**Table de couleur (Marque de profilage-marque CB750F2c)**

**Farbentabelle (Marke Verkleidung-Marke CB750F2c)**

**Tabla de color (Mavca carena-marca CB750F2c)**



BMC3-7

**Color chart for fairing stripe(CB750F2c)**

		Position		
		A	B	C
Type of stripe	Fuel tank main color			
TYPE-1	Pearl shell white	Blue	Blue metallic	Light blue metallic
TYPE-2	Black	Candy bourgogne red-U	Orange	Cream

**Color chart for fairing mark(CB750F2c)**

		Position			
		A	B	C	D
Type of mark	Fuel tank main color				
TYPE-1	Pearl shell white	Gold	Transparent	Silver	Black
TYPE-2	Black	Gold	Black	Gold	Black

**2-H9**

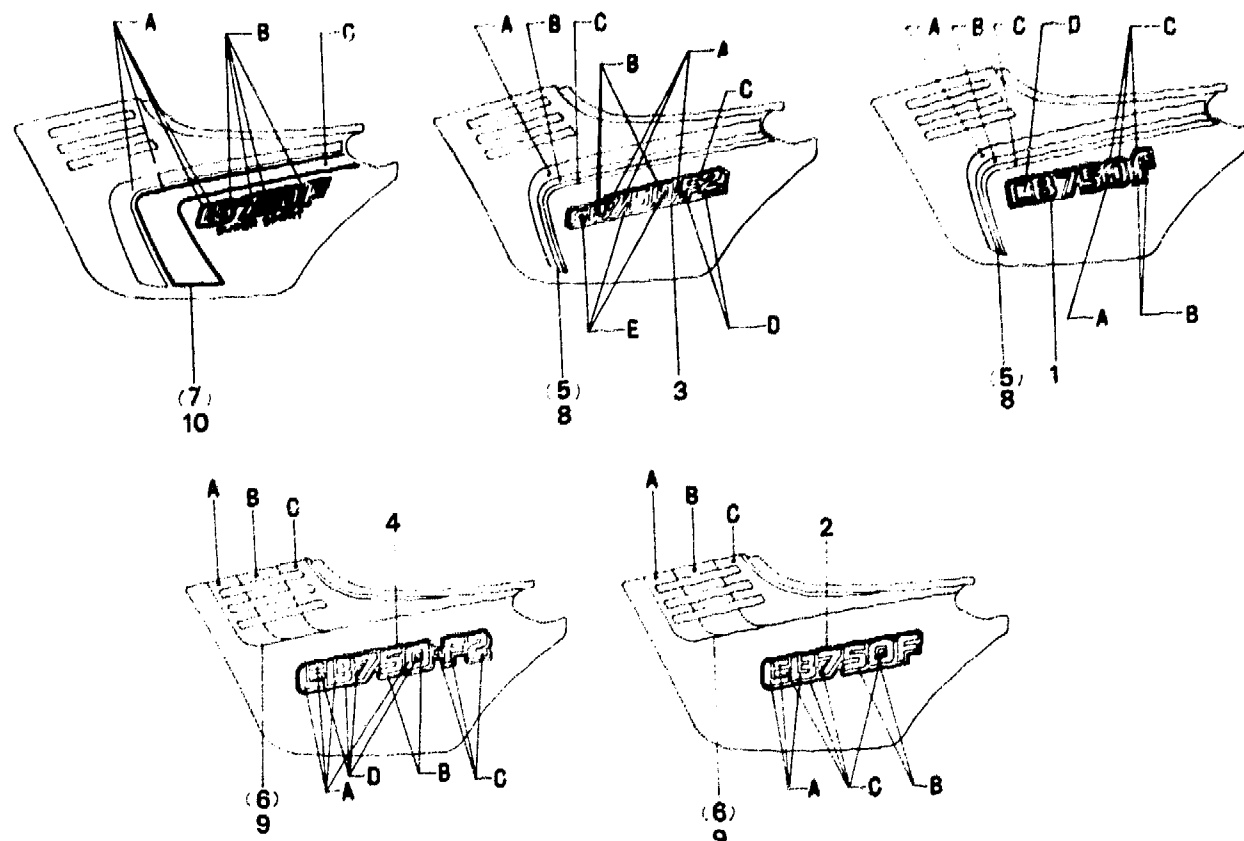
**F-38-2**

**Color chart (Side cover stripe-mark CB750Fc-F2c)**

**Table de couleur (Rayure de couvercle latéral-marque CB750Fc-F2c)**

**Farbentabelle (Seitendeckel Streifen-Marke CB750Fc-F2c)**

**Tabla de color (Franja de cubierta lateral-marca CB 750Fc-F2c)**



BMC3-8

**Color chart for side cover stripe(CB750Fc-CM)**

Type of stripe	Fuel tank main color	Position		
		A	B	C
Type-1	Black	Orange	Pleiades silver	Red
Type-2	Pleiades silver	Dark blue	Black	Blue

**Color chart for side cover mark (CB750Fc-DK,DM,E,ED,F,G,SA,U)**

Type of mark	Fuel tank main color	Position			
		A	B	C	D
Type-1	Pearl shell white	Gold	Red	Black	Transparent
Type-2	Candy frair blue-U	Black	Red	Gold	Candy-frair blue-U
Type-3	Black	Black	Red	Gold	Black
Type-4	Candy bourgogne red-U	Black	Red	Gold	Candy bourgogne red-U

**Color chart for Side cover stripe (CB750Fc,F2c-DK,DM,E,ED,F,G,SA,U)**

Type of stripe	Fuel tank main color	Position		
		A	B	C
TYPE-1	Rearl shell white	Blue	Blue metallic	Light blue metallic
TYPE-2	Candy flair blue-U	Blue metallic	Light blue metallic	Pale blue
TYPE-3	Black	Candy bourgogne red-U	Orange	Cream
TYPE-4	Candy bourgogne red-U	Dark brown	Orange	Orange

**Color chart for side cover mark(CB750F2c)**

Type of mark	Fuel tank main color	Position				
		A	B	C	D	E
Type-1	Pearl shell white	Gold	Black	Red	Black	Transparen
Type-2	Black	Black	Gold	Gold	Red	Black

**2-H10**

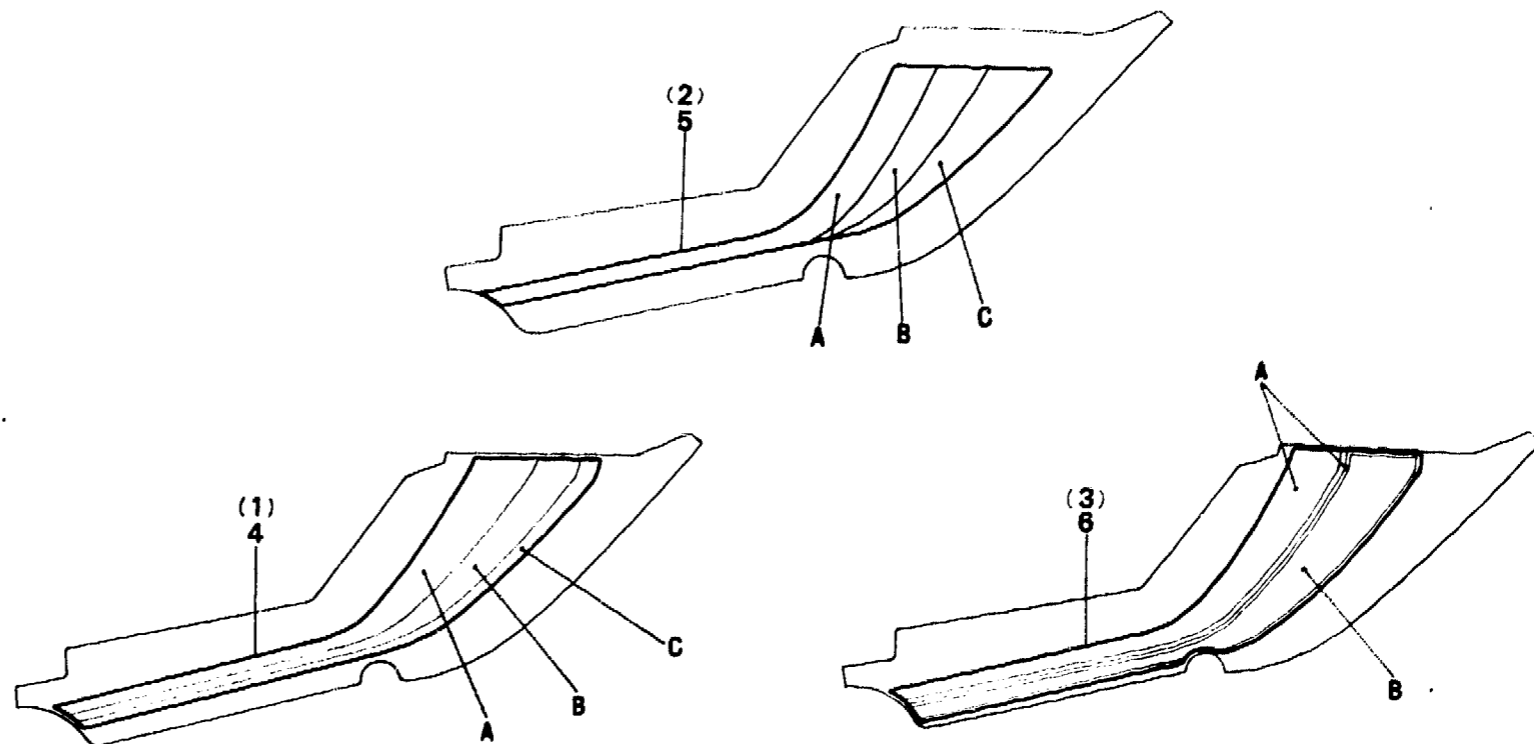
**F-38-3**

**Color chart (Rear cowl stripe CB750Fc-F2c)**

**Table de couleur (Rayure d'auvent arrière CB750Fc-F2c)**

**Farbentabelle (Hinterer Verkleidungsstreifen CB750Fc-F2c)**

**Tabla de color (Franja de cubratabiero trasero CB750Fc-F2c)**



BMC3-9

**Color chart for rear cowl stripe (CB750Fc-CM)**

Type of stripe	Fuel tank main color	Position	
		A	B
TYPE-1	Black	Orange	Red
TYPE-2	Pleiades silver	Dark blue	Blue

**Color chart for rear cowl stripe (CB750Fc,F2c-DK,DM,E,ED,F,G,SA,U)**

Type of stripe	Fuel tank main color	Position		
		A	B	C
TYPE-1	Pearl shell white	Blue	Blue metallic	Light blue metallic
TYPE-2	Candy flair blue-U	Blue metallic	Light blue metallic	Pale blue
TYPE-3	Black	Candy bourgogne red-U	Orange	Cream
TYPE-4	Candy bourgogne red-U	Dark brown	Orange	Orange

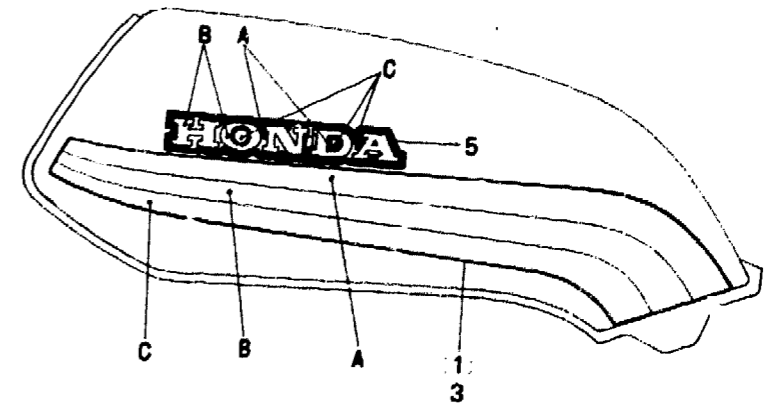
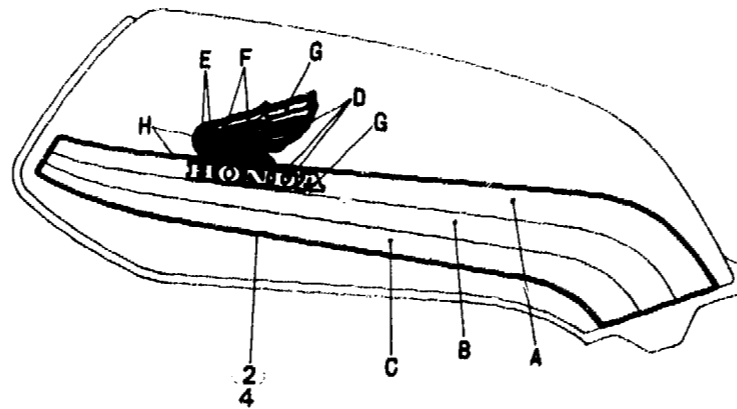
**F-39**

**Color chart (Fuel tank stripe-mark CB750Fd·F2D)**

**Table de couleur (Raie de réservoir d'essence-marque CB750Fd·F2D)**

**Farbentabelle (Benzintank-Streifen-Marke CB750Fd·F2D)**

**Tabla de color (Franja de tanque de combustible-marca CB750Fd·F2D)**



BMC3-6

**Color chart for fuel tank stripe (CB750F2D)**

Position		Position							
		A	B	C	D	E	F	G	H
Type of stripe	Fuel tank main color								
TYPE 1	Monza red	Blue	Red	Ceramic white	Black	Silver	Silver	Pearl white	Monza red
TYPE 1	Peal shell white	Black	Blue	Blue	Black	Silver	Silver	Pearl white	Pearl shell white

**Color chart for fuel tank stripe (CB750Fd)**

Position		Position		
		A	B	C
Type of stripe	Fuel tank main color			
TYPE 1	Monza red	Blue	Red	Ceramic white
TYPE 2	Peal shell white	Black	Blue	Blue
TYPE 3	Candy tanzanight-blue-U	Black	Blue	Blue

**Color chart for fuel tank mark (CB750Fd)**

Position		Position		
		A	B	C
Type of mark	Fuel tank main color			
TYPE 1	Monza red	Black	Ceramic white	Monza red
TYPE 2	Peal shell white	Black	Blue	Pearl shell white
TYPE 3	Candy tanzanight-blue-U	Pearl shell white	Black	Candy tanzanight blue-U

**2-H12**

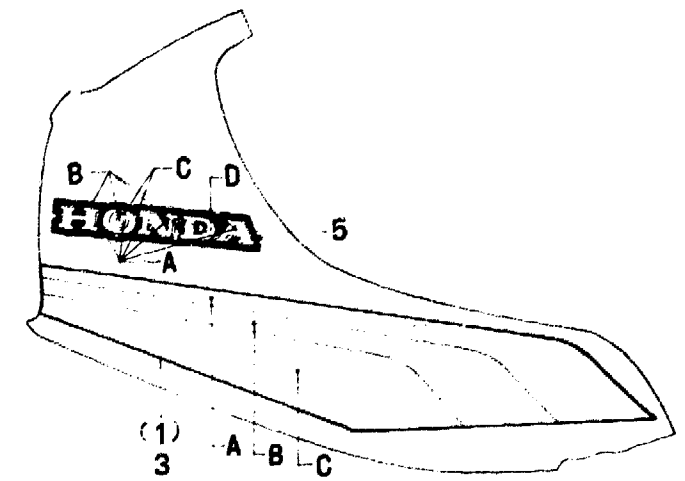
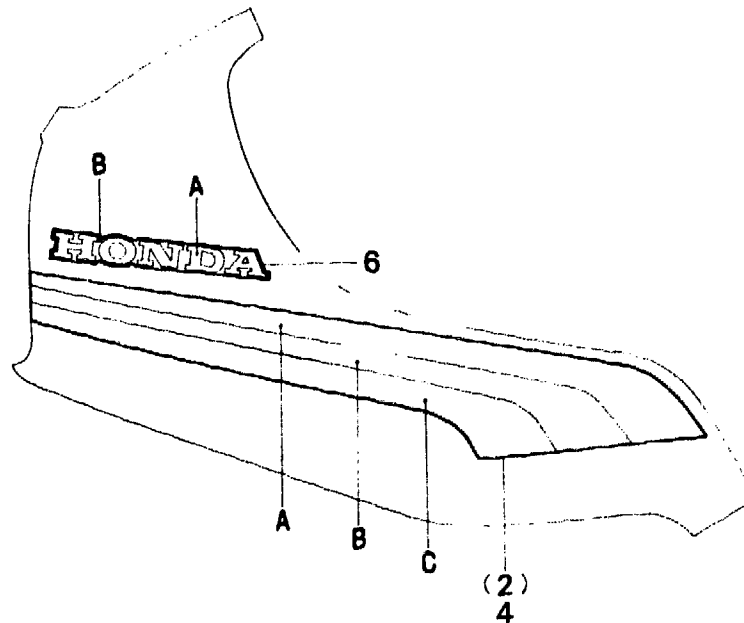
**F-39-1**

**Color chart (Fairing stripe-mark CB750F2D)**

**Table de couleur (Marque de profilage-marque CB750F2D)**

**Farbentabell (Marke Verkleidung-Marke CB750F2D)**

**Table de color (Mavca carena-marca CB750F2D)**



BMC3-7

**Color chart for fairing stripe (CB750F2D)**

Type of stripe	Fuel tank main color	Position		
		A	B	C
TYPE 1	Monza red	Blue	Red	Ceramic white
TYPE 2	Peal shell white	Black	Blue	Blue

**Color chart for fairing mark (CB750F2D)**

Type of mark	Fuel tank main color	Position	
		A	B
TYPE 1	Monza red	Ceramic white	Monza red
TYPE 2	Peal shell white	Blue	Peal shell white

**2-H13**

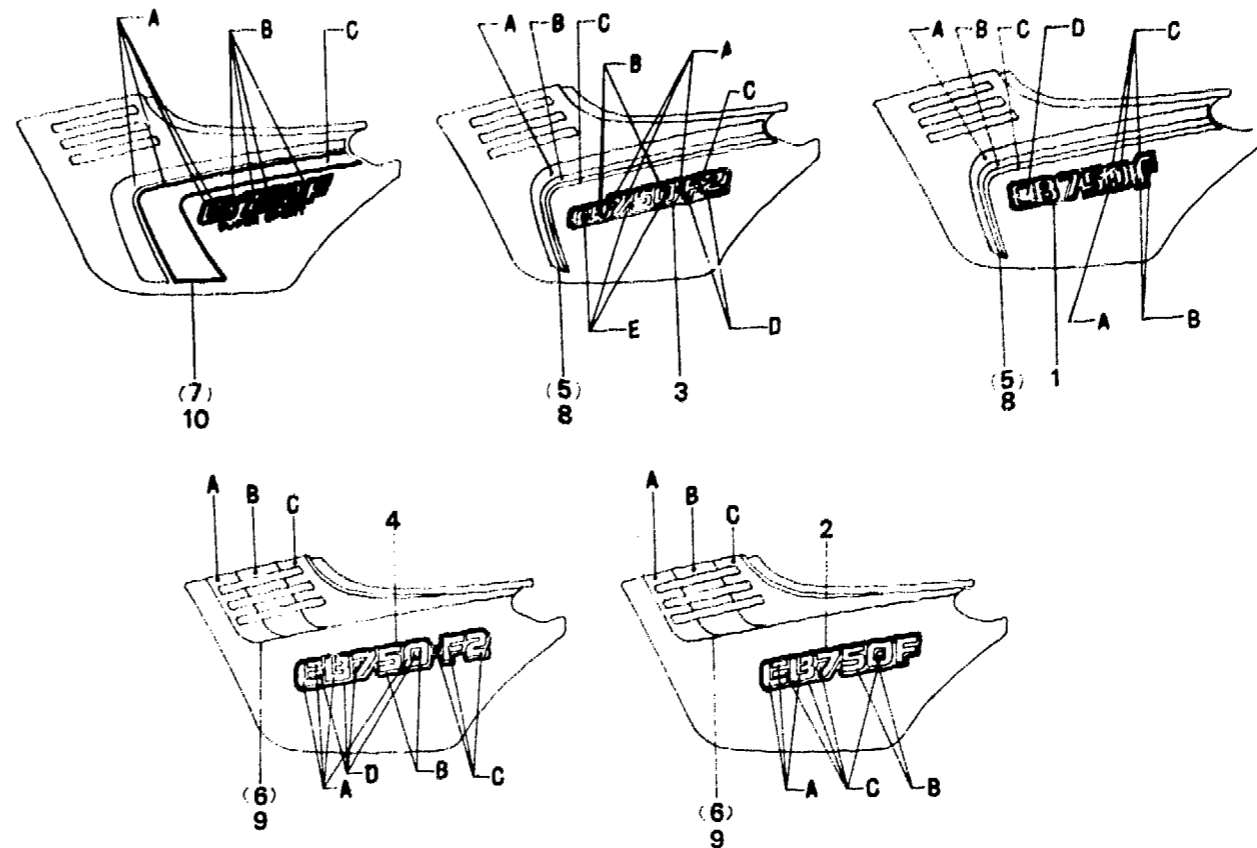
**F-39-2**

**Color chart (Side cover stripe-mark CB750F<sub>D</sub>, F2<sub>D</sub>)**

**Table de couleur (Rayure de couvercle latéral-marque CB750F<sub>D</sub>, F2<sub>D</sub>)**

**Farbentabelle (Seitendeckel Streifen-Marke CB750F<sub>D</sub>, F2<sub>D</sub>)**

**Table de color (Franja de cubierta lateral-marca CB750F<sub>D</sub>, F2<sub>D</sub>)**



BMC3-8

**Color chart for side cover mark (CB750F2<sub>D</sub>)**

Position		Fuel tank main color				
		A	B	C	D	
Type of mark	TYPE 1	Monza red	Ceramic white	Black	Ceramic white	Monza red
	TYPE 2	Peal shell white	Blue	Black	Pearl shell white	Pearl shell white

**Color chart for side cover mark (CB750F<sub>D</sub>)**

Position		Fuel tank main color			
		A	B	C	
Type of mark	TYPE 1	Monza red	Ceramic white	Black	Monza red
	TYPE 2	Peal shell white	Blue	Black	Pearl shell white
	TYPE 3	Candy tanzanight-blue-U	Pearl shell white	Blue	Candy tanzanight-blue-U

**Color chart for side cover stripe (CB750F<sub>D</sub>-F2<sub>D</sub>)**

Position		Fuel tank main color			
		A	B	C	
Type of stripe	TYPE 1	Monza red	Blue	Red	Ceramic white
	TYPE 2	Peal shell white	Black	Blue	Blue
	TYPE 3	Candy tanzanight-blue-U	Black	Blue	Blue

**2-H14**

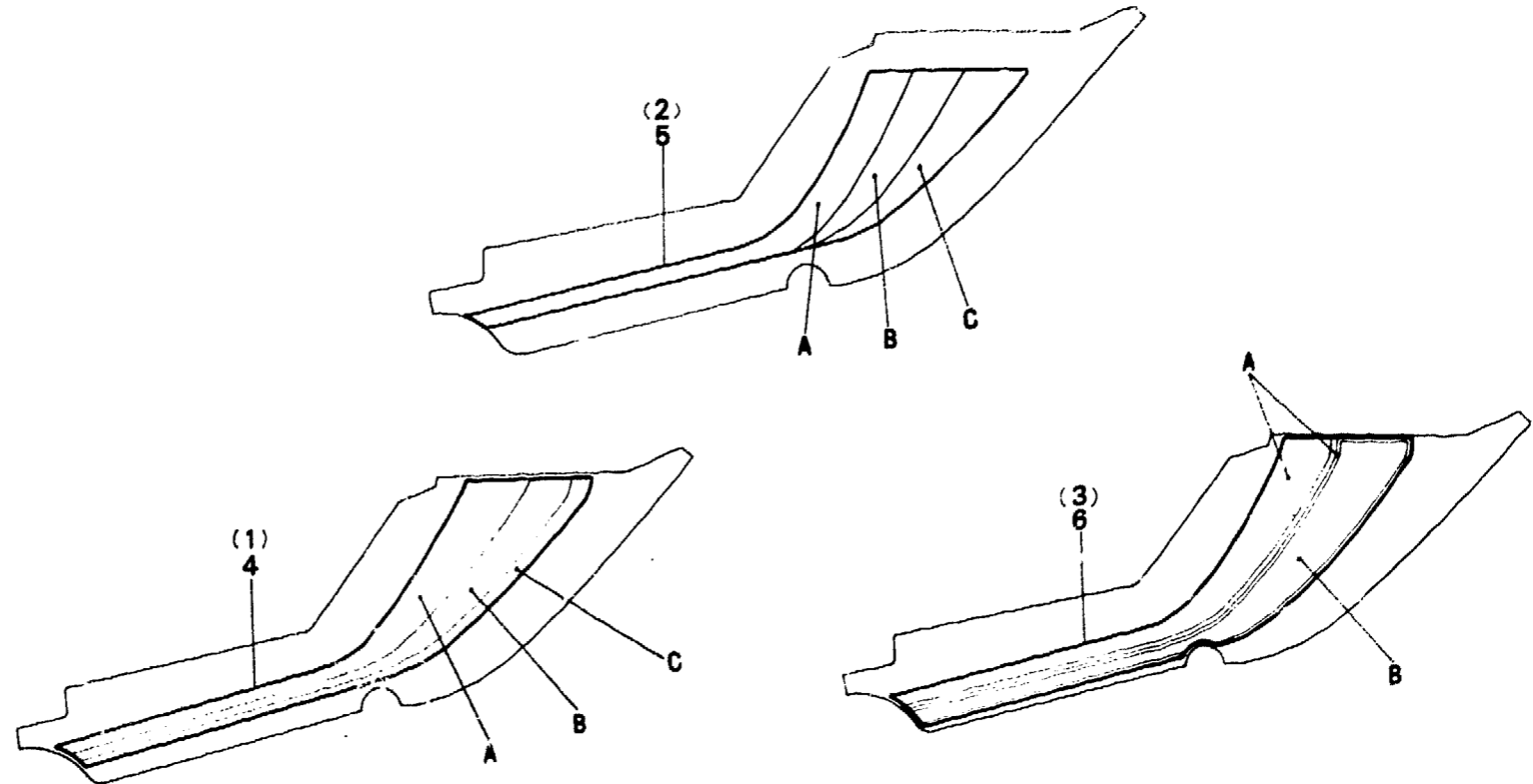
**F-39-3**

**Color chart (Rear cowl stripe CB750Fd, F2d)**

**Table de couleur (Rayure d'auvent arrière CB750Fd, F2d)**

**Farbentabelle (Hinterer Verkleidungsstreifen CB750Fd, F2d)**

**Tabla de color (Franja de cubratablero trasero CB750Fd, F2d)**



BMC3-9

**Color chart for rear cowl stripe (CB750Fd·F2d)**

Type of stripe	Fuel tank main color	Position		
		A	B	C
TYPE 1	Monza red	Blue	Red	Ceramic white
TYPE 2	Peal shell white	Black	Blue	Blue
TYPE 3	Candy tanzanight-blue-U	Black	Blue	Blue



Part No. Address No.  
 N° de pièce N° de Adresse  
 Teile-Nr Adresse-Nr.  
 No. de pieza No. de direccion

91302-377-000	G8	93500-03008-1A	H6	93893-06014-00	D6	94101-06000	E9	95000	95700-06060-00	D16
91302-425-000	D4	93500-03012-1A	H10	93901-12380	2-G6		F2		95700-06070-00	E10
91305-639-000	G6	93500-03014-0G	H14	93901-22110	2-F5		I14	95001-35480-40	G3	95700-06080-00
91305-714-000	E9		I2	93901-24120	2-E16	94101-06700	I6	95001-35550-40	G3	95700-06110-00
91306-329-000	G8		H14	93901-24210	2-F5	94101-06800	H14	95001-35610-40	G3	95700-08016-00
91307-422-000	D8		I2	93901-24680	2-E16		I2	95001-55135-40	M13	
91309-300-000	G9		D6		2-F3	94101-08000	K1	95001-55150-40	M13	95700-08016-07
91311-425-000	G9		I16	93901-25020	N11		K4		N1	95700-08020-00
91313-393-003	D2		C7	93901-32020	2-E16		L12	95002-02070	G3	95700-08025-00
91316-300-003	E9		H3	93903-14310	2-G6		M2		G4	
91352-526-000	G9		H6	93903-14380	2-C12		2-D7	95002-02080	F16	
91356-371-000	K4		H8	93903-14880	2-C11		2-D13	95002-02100	M13	
91356-428-003	J16		H10	93903-24380	2-C12	94101-10000	H3		N1	
91492-425-000	D6		H14				H6	95002-02120	G5	
			I2	94000			H8	95002-02130	2-C12	
			H3				H10	95002-02650	G3	
			H6	94001-06000			H15		G5	
			H8				I2	95002-80000	2-C12	
			H10				K10	95003-23019-31	2-C12	
			C7				H15	95003-23023-10	2-C12	95700-08028-00
			C7	94001-06080			I2	95003-23036-10	2-C12	95700-08032-00
			2-C11	94001-10000-05			2-F6	95005-80250-20	2-C12	95700-08040-00
			2-D16				E6	95011-61000	2-C15	95700-08060-00
			2-E16	94002-04000-05			I14	95014-61100	2-F10	95700-10035-07
			2-F3	94002-06000			D6	95014-61200	2-F10	95700-10040-00
			2-E15				D16	95014-71702	2-D15	
			2-G6				H3	95015-26200	F8	95700-10050-00
			D6				H6	95700-06010-00	K10	
			2-C11	94002-06020			H8		K14	95723-10065-00
			I14	94002-08000-05			H10		M2	95725-06025-00
			I16				D16	95700-06010-07	2-F10	
			F12	94002-10000-05			I6	95700-06012-00	H15	95800-08050-07
			M13	94002-12080-05			2-C6		I2	
			L1				2-G6		J5	95800-10032-07
			L4	94011-08000-05			K1		J8	95800-10040-07
			J5				K4		K15	95800-10050-00
			D13	94021-06000			H3		2-C6	95800-10060-00
			D13	94021-06020			H6		2-E16	95812-08100-00
			I16	94021-06020-05			H8		2-F3	
			2-C11	94030-08000			H11		2-F10	
			J8				H15	95700-06012-07	2-E2	96000
			I11	94030-10000			I2		2-E5	
			I11	94031-10000			L7	95700-06014-08	D3	96000-06012-00
			I11	94050-04000			2-D7	95700-06016-00	J12	96000-06014-00
			I11	94050-05000			2-D13		L7	96000-06018-00
			2-E10	94050-06000			F2		2-C12	96000-06028-02
			M13				L13		2-G9	96000-06032-00
			N1				D8	95700-06016-07	2-F10	
			N3				L13	95700-06020-00	2-C16	96000-06035-00
			N6				M2		2-F10	96000-06040-00
			N8				2-D16		2-G9	
			F16				E7	95700-06022-00	J8	
			G2				M4		2-G9	96000-06055-00
			G2	94050-06080			M9	95700-06025-00	J8	96000-06065-00
			M1	94050-08000			2-F6		2-C8	96000-06070-00
			F16				D8		2-C15	
			F16				D13		2-D2	96100-60030
			G3				E3	95700-06025-07	I11	96100-62040
			G4				D4		I14	96140-63020-10
			L12	94050-10000			E9		J1	
			L12				D4		2-D16	96140-63040-10
			N11				2-E10	95700-06028-00	E7	
			J12	94050-12000			F2	95700-06032-00	D4	96140-63050-10
			F16	94070-06080			F2		E4	
			F16	94101-04000			2-D2	95700-06035-00	E7	96150-63040-10
			L7	94101-04800			E14	95700-06040-00	E9	
			I16	94101-05800			E9		E4	96201-60000
			L7	94101-06000			G9	95700-06050-00	E9	
									E10	96220-40118
										F12



# 2N-2

Part No.    Address No.  
N° de pièce    N° de Adresse  
Teile-Nr    Adresse-Nr.  
No. de pieza    No. de direccion

## 98000

98069-38716	C7
98069-57716	C7
98069-57717	C7
98069-57726	C8
98069-57727	C8
98069-58716	C8
98069-58717	C8
98069-58726	C8
98069-58727	C8
98069-59717	C8
98069-59726	C8
98069-59727	C8
98200-20500	2-F10
98200-21000	J5
98200-21500	J5
98200-53000	2-C6

## 99000

99001-08120	2-F16
99001-10120	2-F16
99001-14170	2-F16
99002-13500	2-F16
99003-10000	2-F16
99003-30000	2-F16
99003-50000	2-F16
99006-12000	2-G1
99006-22000	2-G1
99006-24000	2-G1
99101-393-0680	G3
99102-393-0980	G3
99102-393-1000	G3
99102-393-1020	G3
99103-MA4-0350	G3