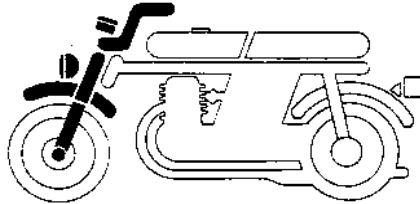
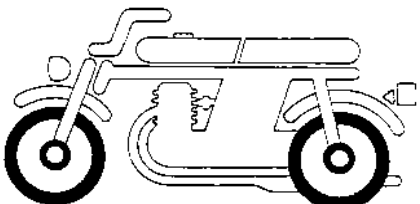
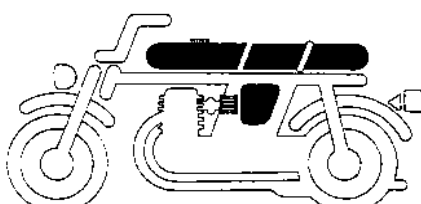
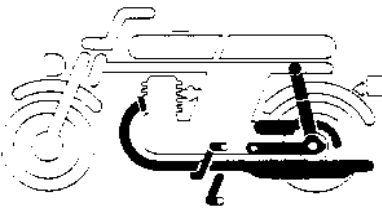
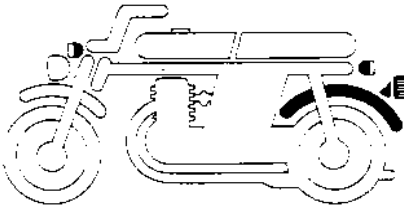
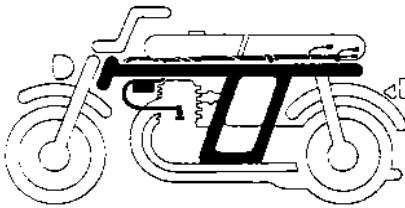
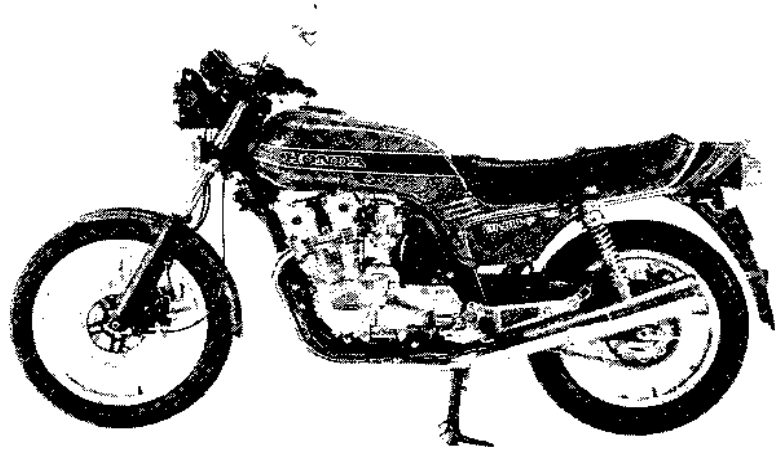
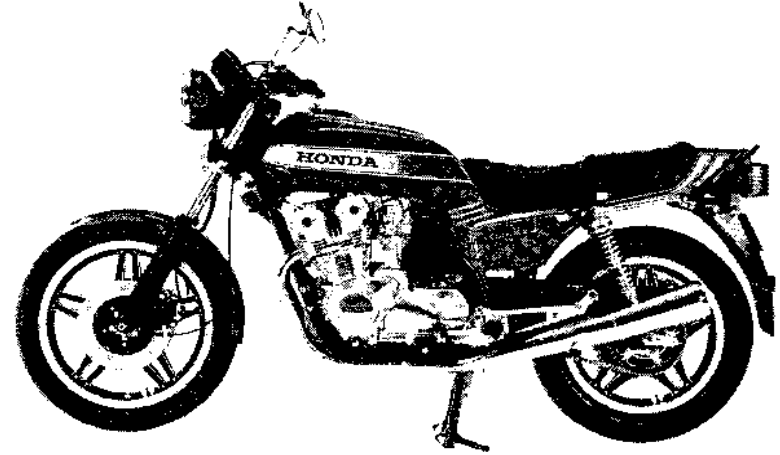

<p>E- 1 Oil cooler C 2 E- 2 Cylinder head cover C 3 E- 3 Cylinder head C 4 E- 4 Camshaft - Valve C 7 E- 5 Cam chain - Tensioner C11 E- 6 Cylinder C13</p>	<p>E- 7 Generator - Dynamo cover C14 E- 8 Clutch cover C15 E- 9 Clutch D 1 E-10 Left cover - Advancer D 3 E-11 Starter motor D 5 E-12 Left crankcase cover - Oil pump D 7 E-13 Oil filter - Oil pan D 9 E-14 Crankcase D11</p>	<p>E-15 Crankshaft - Piston D13 E-16 Primary shaft D16 E-17 Transmission E 4 E-18 Gearshift drum E 7 E-19 Carburetor (Assy. - Link) E10 E-19-1 Carburetor (Component parts) E12</p>
<p>E- 1 Radiateur d'huile C 2 E- 2 Couvercle de culasse C 3 E- 3 Culasse C 4 E- 4 Arbre à cames - Soupape C 7 E- 5 Chaîne de cames - Tendeur C11 E- 6 Cylindre C13</p>	<p>E- 7 Générateur - Couvercle de générateur C14 E- 8 Couvercle d'embrayage C15 E- 9 Embrayage D 1 E-10 Couvercle gauche - Avance D 3 E-11 Moteur démarrage D 5 E-12 Couvercle de carter moteur gauche - Pompe à huile D 7 E-13 Filtre à huile - Carter D 9 E-14 Carter moteur D11</p>	<p>E-15 Vilebrequin - Piston D13 E-16 Arbre primaire D16 E-17 Transmission E 4 E-18 Tambour de changement de vitesse E 7 E-19 Carburateur (Ens. - Tringlerie) E10 E-19-1 Carburateur (Pièces composantes) E12</p>
<p>E- 1 Ölkühler C 2 E- 2 Zylinderkopfdeckel C 3 E- 3 Zylinderkopf C 4 E- 4 Nockenwelle - Ventil C 7 E- 5 Steuerkette - Spanner C11 E- 6 Zylinder C13</p>	<p>E- 7 Lichtmaschine - Dynamodeckel C14 E- 8 Kupplungsdeckel C15 E- 9 Kupplung D 1 E-10 Linker Deckel - Zündversteller D 3 E-11 Anlassermotor D 5 E-12 Linker Kurbelgehäusedeckel - Ölpumpe D 7 E-13 Ölfilter - Ölwanne D 9 E-14 Kurbelgehäuse D11</p>	<p>E-15 Kurbelwelle - Kolben D13 E-16 Primäre welle D16 E-17 Getriebe E 4 E-18 Gangschaltwalze E 7 E-19 Vergaser (Kompl. - Gestänge) E10 E-19-1 Vergaser (Einzelteil) E12</p>
<p>E- 1 Enfriador de aceite C 2 E- 2 Cubierta de culata C 3 E- 3 Culata C 4 E- 4 Arbol de levas - Válvula C 7 E- 5 Cadena de levas - Tensionador C11 E- 6 Cilindro C13</p>	<p>E- 7 Generador - Cubierta de generador C14 E- 8 Cubierta de embrague C15 E- 9 Embrague D 1 E-10 Cubierta izquierda - Avanzador D 3 E-11 Motor de arranque D 5 E-12 Cubierta de cárter de motor izquierdo - Bomba de aceite D 7 E-13 Filtro de aceite - Cáster del aceite D 9 E-14 Cáster de motor D11</p>	<p>E-15 Cigüeñal - Pistón D13 E-16 Eje primario D16 E-17 Transmisión E 4 E-18 Tambor de cambio E 7 E-19 Carburador (Ens. - Articulación) E10 E-19-1 Carburador (Piezas componentes) E12</p>

		
<p>F- 1 Headlight (E, ED, F, G) F 2 F- 1-1 Headlight (DK, DM, SA, U) F 5 F- 2 Meter F 7 F- 3 Handle lever - Switch - Cable F 9 F- 4 Front brake master cylinder F 12 F- 5 Handle pipe - Top bridge F 15 F- 6 Steering stem G 2 F- 7 Front fender G 5 F- 8 Front fork (CB900Fz) G 6 F- 8-1 Front fork (CB900FA) G 8</p>	<p>F- 9 Front brake caliper G 11 F-10 Front wheel (CB900Fz) G 14 F-10-1 Front wheel (CB900FA) G 16 F-11 Rear brake master cylinder H 2 F-12 Rear brake caliper H 5 F-13 Rear wheel (CB900Fz) H 8 F-13-1 Rear wheel (CB900FA) H 11</p>	<p>F-14 Fuel tank H 14 F-15 Seat I 2 F-16 Side cover - Spark unit - Regulator I 4 F-17 Battery I 10 F-18 Air cleaner I 11</p>
<p>F- 1 Phare (E, ED, F, G) F 2 F- 1-1 Phare (DK, DM, SA, U) F 5 F- 2 Compteurs F 7 F- 3 Levier de poignée - Interrupteur - Câble F 9 F- 4 Maître cylindre de frein avant F 12 F- 5 Guidon - Haut de fourche F 15 F- 6 Tige de direction G 2 F- 7 Garde-boue avant G 5 F- 8 Fourche avant (CB900Fz) G 6 F- 8-1 Fourche avant (CB900FA) G 8</p>	<p>F- 9 Etrier de frein avant G 11 F-10 Roue avant (CB900Fz) G 14 F-10-1 Roue avant (CB900FA) G 16 F-11 Maître cylindre de frein arrière H 2 F-12 Etrier de frein arrière H 5 F-13 Roue arrière (CB900Fz) H 8 F-13-1 Roue arrière (CB900FA) H 11</p>	<p>F-14 Réservoir d'essence H 14 F-15 Siège I 2 F-16 Couvercle latéral - Unité de étincelle - Régulateur I 4 F-17 Batterie I 10 F-18 Filtre à air I 11</p>
<p>F- 1 Scheinwerfer (E, ED, F, G) F 2 F- 1-1 Scheinwerfer (DK, DM, SA, U) F 5 F- 2 Messer F 7 F- 3 Lenkstangenhebel - Schalter - Kabel F 9 F- 4 Vorderradbremse-Hauptzylinder F 12 F- 5 Lenkrohr - Obere Brücke F 15 F- 6 Steuerkopfschaft G 2 F- 7 Vorderer Kotflügel G 5 F- 8 Vordergabel (CB900Fz) G 6 F- 8-1 Vordergabel (CB900FA) G 8</p>	<p>F- 9 Vorderradbremssattel G 11 F-10 Vorderrad (CB900Fz) G 14 F-10-1 Vorderrad (CB900FA) G 16 F-11 Hinterradbremse-Hauptzylinder H 2 F-12 Hinterradbremssattel H 5 F-13 Hinterrad (CB900Fz) H 8 F-13-1 Hinterrad (CB900FA) H 11</p>	<p>F-14 Benzintank H 14 F-15 Sitz I 2 F-16 Seitendeckel - Zündeinheit - Regler I 4 F-17 Batterie I 10 F-18 Luftfilter I 11</p>
<p>F- 1 Faro delantero (E, ED, F, G) F 2 F- 1-1 Faro delantero (DK, DM, SA, U) F 5 F- 2 Medidor F 7 F- 3 Palanca de manubrio - Interruptor - Cable F 9 F- 4 Cilindro maestro de freno delantero F 12 F- 5 Tubo do manubrio - Puente superior F 15 F- 6 Varilla de dirección G 2 F- 7 Parafango delantero G 5 F- 8 Horquilla delantero (CB900Fz) G 6 F- 8-1 Horquilla delantero (CB900FA) G 8</p>	<p>F- 9 Calibrador de freno delantero G 11 F-10 Rueda delantera (CB900Fz) G 14 F-10-1 Rueda delantera (CB900FA) G 16 F-11 Cilindro maestro de freno trasero H 2 F-12 Calibrador de freno trasero H 5 F-13 Rueda trasera (CB900Fz) H 8 F-13-1 Rueda trasera (CB900FA) H 11</p>	<p>F-14 Tanque de combustible H 14 F-15 Asiento I 2 F-16 Cubierta lateral - Unidad de chispa - Regulador I 4 F-17 Batería I 10 F-18 Limpiador de aire I 11</p>

		
<p>F-19 Exhaust muffler I 14 F-20 Brake pedal - Change pedal I 16 F-21 Step J 2 F-22 Stand J 6 F-23 Rear fork - Chain case (CB900Fz) J 8 F-23-1 Rear fork - Chain case (CB900Fa) J 10 F-24 Rear cushion J 12</p>	<p>F-25 Rear fender J 13 F-26 Winker (E, ED, F, G) J 15 F-26-1 Winker (DK, DM, SA, U) K 2 F-27 Taillight K 6</p>	<p>F-28 Wire harness - Ignition coil K 8 F-29 Frame body K 10 F-30 Tool K 13</p>
<p>F-19 Pot d'échappement I 14 F-20 Pédales de frein - Pédales de changement I 16 F-21 Repose pieds J 2 F-22 Bequille J 6 F-23 Fourche arrière - Carter de chaîne (CB900Fz) J 8 F-23-1 Fourche arrière - Carter de chaîne (CB900Fa) J 10 F-24 Amortisseur arrière J 12</p>	<p>F-25 Garde-boue arrière J 13 F-26 Cignotant (E, ED, F, G) J 15 F-26-1 Cignotant (DK, DM, SA, U) K 2 F-27 Feu arrière K 6</p>	<p>F-28 Faisceau électrique - Bobine d'allumage K 8 F-29 Cadre K 10 F-30 Outils K 13</p>
<p>F-19 Auspufftopf I 14 F-20 Bremspedal - Schaltpedal I 16 F-21 Tritt J 2 F-22 Ständer J 6 F-23 Hintere Schwinge - Kettenschutz (CB900Fz) J 8 F-23-1 Hintere Schwinge - Kettenschutz (CB900Fa) J 10 F-24 Hinterer Stoßdämpfer J 12</p>	<p>F-25 Hinterer Kotflügel J 13 F-26 Blinker (E, ED, F, G) J 15 F-26-1 Blinker (DK, DM, SA, U) K 2 F-27 Rücklicht K 6</p>	<p>F-28 Kabelbaum - Zündspule K 8 F-29 Rahmen K 10 F-30 Werkzeug K 13</p>
<p>F-19 Silenciador I 14 F-20 Pedal de freno - Pedal de cambio I 16 F-21 Estribo J 2 F-22 Estante J 6 F-23 Horquilla trasera - Caja de cadena (CB900Fz) J 8 F-23-1 Horquilla trasera - Caja de cadena (CB900Fa) J 10 F-24 Amortiguador trasero J 12</p>	<p>F-25 Parafango trasero J 13 F-26 Luz intermitente (E, ED, F, G) J 15 F-26-1 Luz intermitente (DK, DM, SA, U) K 2 F-27 Luz trasera K 6</p>	<p>F-28 Equipo de alambre - Bobina de encendido K 8 F-29 Cuerpo de cuadro K 10 F-30 Herramientas K 13</p>



CB900Fz-ED



CB900FA-ED

3. Abbreviations

The following abbreviations are used in this parts catalogue.

ASSY.	Assembly	KPH	Kilometers per hour
COMP.	Complete	MPH	Miles per hour
R.	Right	L (100L)	Link (100Links)
L.	Left	A.C.	Alternating current
STD.	Standard	D.C.	Direct current
MM	Millimeter	IN.	Inlet
G.	Gram	EX.	Exhaust
T (22T).....	Tooth (22Teeth)	FR.	Front
A.....	Ampere	RR.	Rear
V.....	Volt	HEX.	Hexagonal
W	Watt	A.M.	Attaching mark
		T.M.	Transcript mark

4. Dimensions

All dimensions are given in millimeters (mm) except in the case of steel balls, tires and tire tubes.

Parts	Example	Interpretation
Bolt (Screw)	6×12	6mm diameter, 12mm length
Pin	8×14	8mm diameter, 14mm length
O-Ring	9.5×1.6	9.5mm diameter, 1.6mm thickness
Oil seal	14×24×5	14mm inside diameter, 24mm outside diameter, 5mm thickness
Tube	5×130	5mm inside diameter, 130mm length

5. Supersedence of parts

Part numbers given under the part name in the "Description" column indicate that the part number has been superseded by that part number. HONDA may make such supersedence without notice.

6. Assemblies

Sections framed with broken lines in the exploded view drawings are available as complete assemblies. (Their individual parts can also be obtained.)

7. Required quantity

The number given in the "Reqd. No." column indicates the quantity of parts used in the section described in that block.

Parts with quantities in () represent optional parts.

Part whose required number is "N", is part whose required number can be selected at need.

8. Part modifications and applicable serial numbers

In cases where a part has been modified, the serial number of the first vehicle (or frame, engine, carburetor) bearing the modification is listed in the "Serial No." column.

9. Models, area codes and applicable serial numbers

Models, area codes and applicable serial Nos. given in this parts catalogue can be identified as follows.

Parts with area codes are exclusive for models destined for countries designated.

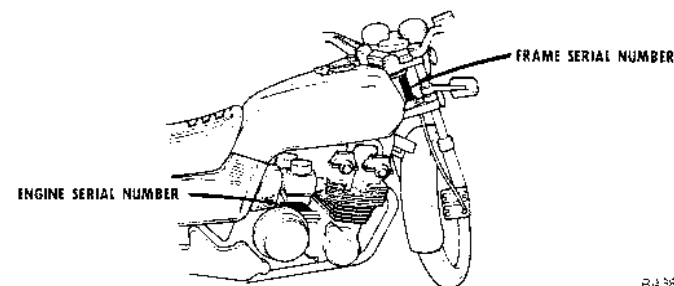
If no area codes are listed, parts are for common use.

Model	Area code	Type	Applicable engine serial No.	Applicable frame serial No.	Applicable carburetor identification No.
CB900Fz	DK	General export (KPH)	SC01E-2005900 ~ 2015819	SC01-2007842 ~ 2015749	VB51A <u>A</u>
	DM	General export (MPH)	SC01E-2007699 ~ 2015870	SC01-2007662 ~ 2015806	
	E	England	SC01E-2000052 ~ 2015670	SC01-2000042 ~ 2015898	
	ED	European direct sales	SC01E-2000054 ~ 2015534	SC01-2000054 ~ 2015489	
	F	France	SC01E-2000061 ~ 2015717	SC01-2000048 ~ 2015848	
	G	Germany	SC01E-2000058 ~ 2015430	SC01-2000050 ~ 2015357	
	SA	South Africa	SC01E-2004616 ~ 2015855	SC01-2004892 ~ 2015789	
	U	Australia	SC01E-2000072 ~ 2015772	SC01-2000058 ~ 2015700	
CB900FA	DK	General export (KPH)	SC01E-2102007 ~	SC01-2102001 ~	VB51A <u>A</u> ~
	DM	General export (MPH)	SC01E-2101595 ~	SC01-2101591 ~	
	E	England	SC01E-2100001 ~	SC01-2100001 ~	
	ED	European direct sales	SC01E-2100006 ~	SC01-2100006 ~	
	F	France	SC01E-2100005 ~	SC01-2100005 ~	
	G	Germany	SC01E-2100002 ~	SC01-2100002 ~	
	SA	South Africa	SC01E-2101816 ~	SC01-2101811 ~	
	U	Australia	SC01E-2100079 ~	SC01-2100080 ~	

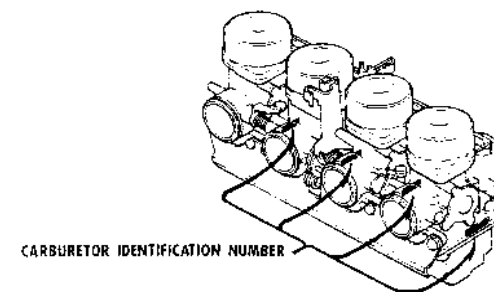
* Of carburetor identification numbers, only the portions underlined in the example below are used for registration.

VB51A A KC ア

10. Location of stamped serial number



8438-0A



8425-0B

III. How to use the flat rate time (F.R.T.)

This F.R.T. (Flat Rate Time) is used to determine the standard labor time allowed for replacement of parts covered by the warranty during the period the warranty is in effect. The F.R.T. for those parts which are not listed herein should be determined from the operation closely related to the replacement of that part.

1. The F.R.T. is based on the following servicing conditions.

- A liberal allowance is added to the net servicing time.
- Standard times specified are based on the condition that the necessary servicing tools listed in the service manual (motorcycle) which describes the HONDA service policy are available close at hand and the work performed by a mechanic with normal skill.
- Time required for inspection and operational test following the servicing is included in the F.R.T.

2. Method of computing

The job times are listed in tenth of an hour to simplify computation.

- (Example) 0.3 = 18 minutes
5.6 = 5 hours and 36 minutes

CONVERSION CHART			
Hours	Minutes	Hours	Minutes
0.1	6	0.6	36
0.2	12	0.7	42
0.3	18	0.8	48
0.4	24	0.9	54
0.5	30	1.0	60

3. Computing the F.R.T.

When several jobs are performed at the same time, make the calculation in the following manner.

a. Jobs of non duplicated nature

The F.R.T. for the job is obtained by totalling the F.R.T. for each part replaced.

(Example) Replacement of cylinder and stator comp.

Service item	F.R.T.
Cylinder comp.	*5.0
Stator comp.	0.5

The F.R.T. for the job is: $5.0 + 0.5 = 5.5$

b. Jobs of duplicated nature

Take the F.R.T. for the last part to be replaced.

(Example) Replacement of cylinder head gasket and piston.

Service item	F.R.T.
Cylinder head gasket	*4.6
Piston	*5.2

The F.R.T. for the job is: 5.2

c. Jobs of partially related nature

Total up the F.R.T. for all of the parts replaced and then subtract the F.R.T. for the duplicated operation.

(Example) Replacement of gear shift drum and crankshaft assembly.

Service item	F.R.T.
Gear shift drum	*5.0
Crankshaft	*8.3
Crankcase disassembly	*4.8

The F.R.T. for the job is: $(5.0 + 8.3) - 4.8 = 8.6$

Crankcase disassembly is the duplicated operations.

● The F.R.T. shown with (*) includes engine removal and installation.

4. Operations other than replacing parts

a. Removal and installation

No.	Service item	F.R.T.
1	Engine removal	2.7
2	Cylinder head	4.6
3	Carburetor	0.9

b. Adjustment, measurement and cleaning

Engine

No.	Service item	F.R.T.
1	Engine oil-inspection (excluding oil change)	0.1
2	Cleaner element-cleaning	0.2
3	Compression-pressure measurement	0.4
4	Spark plug-adjustment and cleaning	0.4
5	Ignition timing-adjustment	0.3
6	Tappet inspection	0.8
7	Tappet adjustment (includes inspection) Tappet adjustment for a pair of IN. or EX. 1.0 Add 0.2 for each.	1.8
8	Cam chain-adjustment	0.1
9	Throttle operation-adjustment	0.2
10	Carburetor idle-adjustment	0.2
11	Carburetor synchronization-adjustment	0.6
12	Carburetor-float level measurement	1.0
13	Clutch-adjustment	0.2
14	Battery-checking of electrolyte level and gravity	0.2

Frame

No.	Service item	F.R.T.
1	Front brake-air bleeding	0.2
2	Rear brake-air bleeding	0.2
3	Brake-operation test	0.1
4	Headlight-aimings	0.2
5	Drive chain (includes tension adjustment however, does not include sprocket)	0.1
6	Front wheel balance	0.8
7	Rear wheel balance	0.9

c. Overhaul

No.	Service item	F.R.T.
1	Carburetor	3.3

● This parts catalogue is compiled as of October 20, 1979.

C 2

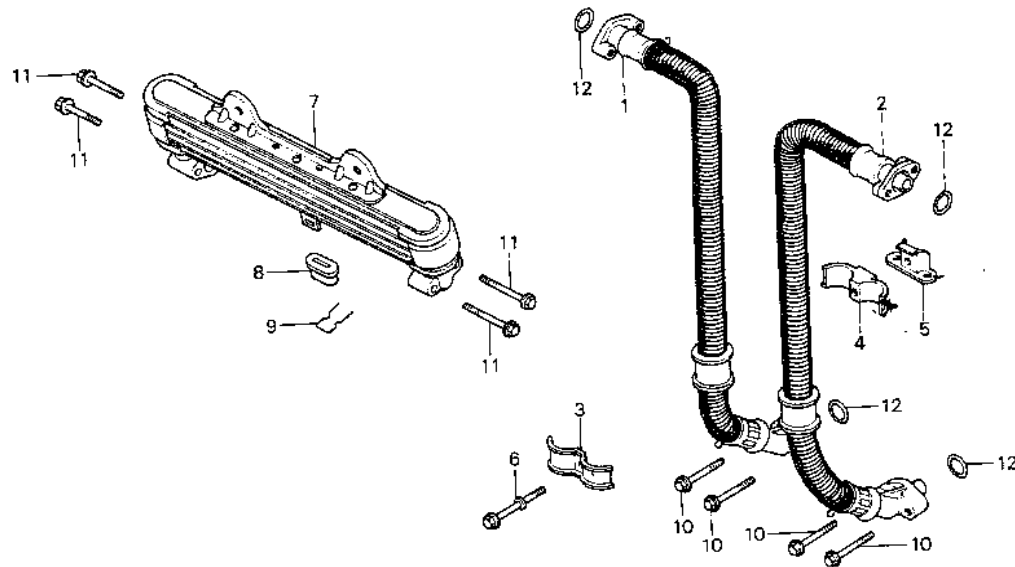
E-1

Oil cooler

Radiateur d'huile

Ölkühler

Enfriador de aceite



B438-1

Service item	F.R.T.	Ref. No.	Part No.	Description	Reqd. No.		Serial No.	Area code
					C8900	Fz FA		
HOSE COMP., OIL (ADD 0.1 FOR EACH.)	0.3	1	15510-438-000	HOSE COMP., R. OIL	1	1		
		2	15515-438-000	HOSE COMP., L. OIL	1	1		
		3	15526-438-000	HOLDER A, OIL HOSE	1	1		
COOLER COMP., OIL	0.1	4	15527-438-000	HOLDER B, OIL HOSE	1	1		
		5	15528-438-000	HOLDER C, OIL HOSE	1	1		
D-RING, 15X2.5 (WHEN SERVICING COMP., UNIT, F.R.T. IS 0.2.)		6	15529-438-000	BOLT, OIL HOSE HOLDER	1	1		
		7	15600-438-000	COOLER COMP., OIL	1	1		
		8	15617-438-000	RUBBER, OIL COOLER SETTING	1	1		
		9	15618-438-000	PIN, OIL COOLER SETTING	1	1		
		10	90005-415-000	BOLT, FLANGE, 6X25	4	4		
			96000-06025-00	BOLT, FLANGE, 6X25	4	4		
		11	90023-422-000	BOLT, FLANGE, 6X35	4			
			96000-06035-00	BOLT, FLANGE, 6X35	4	4		
		12	91302-028-000	O-RING, 15X2.5	4	4		



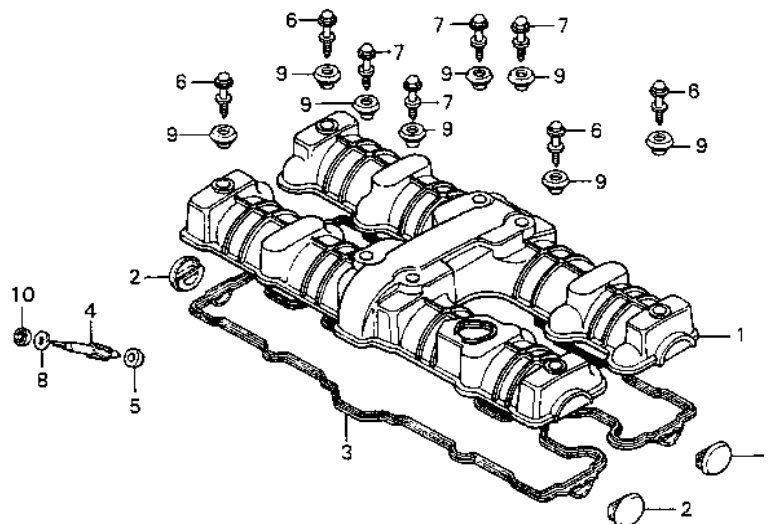
E-2

Cylinder head cover

Couvercle de culasse

Zylinderkopfdeckel

Cubierta de culata



B425-1

Service item	F.R.T.	Ref. No.	Part No.	Description	Recd. No.		Serial No.	Area code
					CB900	Fz FA		
COVER, CYLINDER HEAD	0.6	1	12310-425-000	COVER, CYLINDER HEAD	1	1		
GASKET, CYLINDER HEAD COVER		2	12331-425-000	COVER COMP., CYLINDER HEAD	4	4		
GEAR, TACHOMETER	0.7							
OIL SEAL, 4.8X14.5X5								
		3	12391-425-000	GASKET, CYLINDER HEAD COVER	1	1		
		4	12432-425-000	GEAR, TACHOMETER	1	1		
		5	12435-425-000	COLLAR, TACHOMETER GEAR	1	1		
		6	90017-425-000	BOLT, SPECIAL, 6X27.5	4	4		
		7	90038-425-000	BOLT, SPECIAL, 6X37	4	4		
		8	90454-425-000	WASHER, THRUST, 7MM	1	1		
		9	90541-422-000	RUBBER, MOUNTING	8		2015738	
			90541-425-000	RUBBER, MOUNTING	8		2015739	
		10	91256-425-003	OIL SEAL, 4.8X14.5X5	1	1		
			91256-425-005	OIL SEAL, 4.8X14.5X5	1	1		

C 4

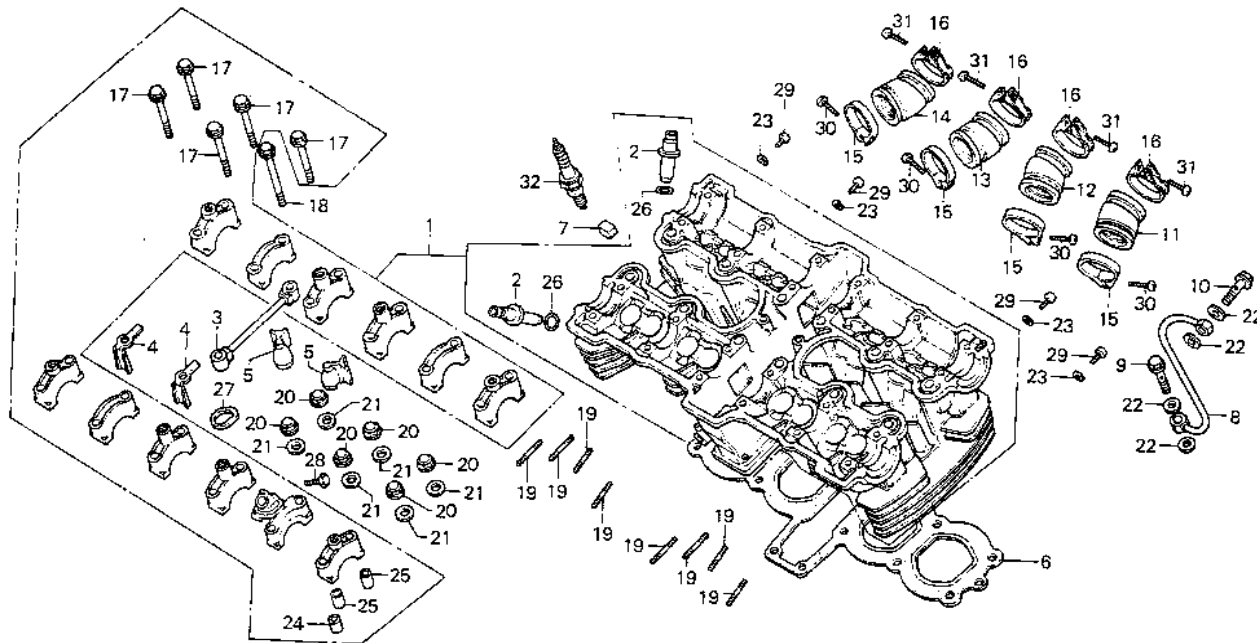
E-3

Cylinder head

Culasse

Zylinderkopf

Culata



B425-2

Service item	F.R.T.	Ref. No.	Part No.	Description	Reqd. No.		Serial No.	Area code
					C8900	F2 FA		
HEAD ASSY., CYLINDER	*9.8	1	12010-438-000	HEAD ASSY., CYLINDER	1			
GUIDE, VALVE	*5.0		12010-438-010	HEAD ASSY., CYLINDER	1	1		
(INC. REAMING)		2	12204-425-305	GUIDE, VALVE	16	16		
(ADD 0.2 FOR EACH.)		3	12230-425-000	JOINT A, OIL PATH	1	1		
(EXC. VALVE REACING)		4	12241-425-000	PLATE, OIL STOPPER	2	2		
(ADD MORE 0.2 IF PERFORMED.)		5	12242-425-000	CAP, OIL STOPPER	2	2		
JOINT A, OIL PATH	0.7							
GASKET, CYLINDER HEAD	*4.6	6	12251-438-013	GASKET, CYLINDER HEAD	1	1		
PIPE COMP., OIL	0.2	7	12295-422-000	RUBBER, INSERT	8		2013165	
INSULATOR CARBURETOR	0.8	8	15520-438-000	PIPE COMP., OIL	1	1		
(WHEN SERVICING COMP., UNIT,		9	15531-425-000	BOLT, OIL CONTRL	1		2014745	
F.R.T. IS 1.0.)			15531-425-010	BOLT, OIL CONTRL	1		2014746	
BOLT, STUD, 6X50	0.3					1		
(ADD 0.1 FOR EACH.)		10	15532-425-000	BOLT, OIL	1		2014745	
			15532-425-010	BOLT, OIL	1		2014746	
		11	16211-438-000	INSULATOR 1, CARBURETOR	1	1		
		12	16212-438-000	INSULATOR 2, CARBURETOR	1	1		

C 5

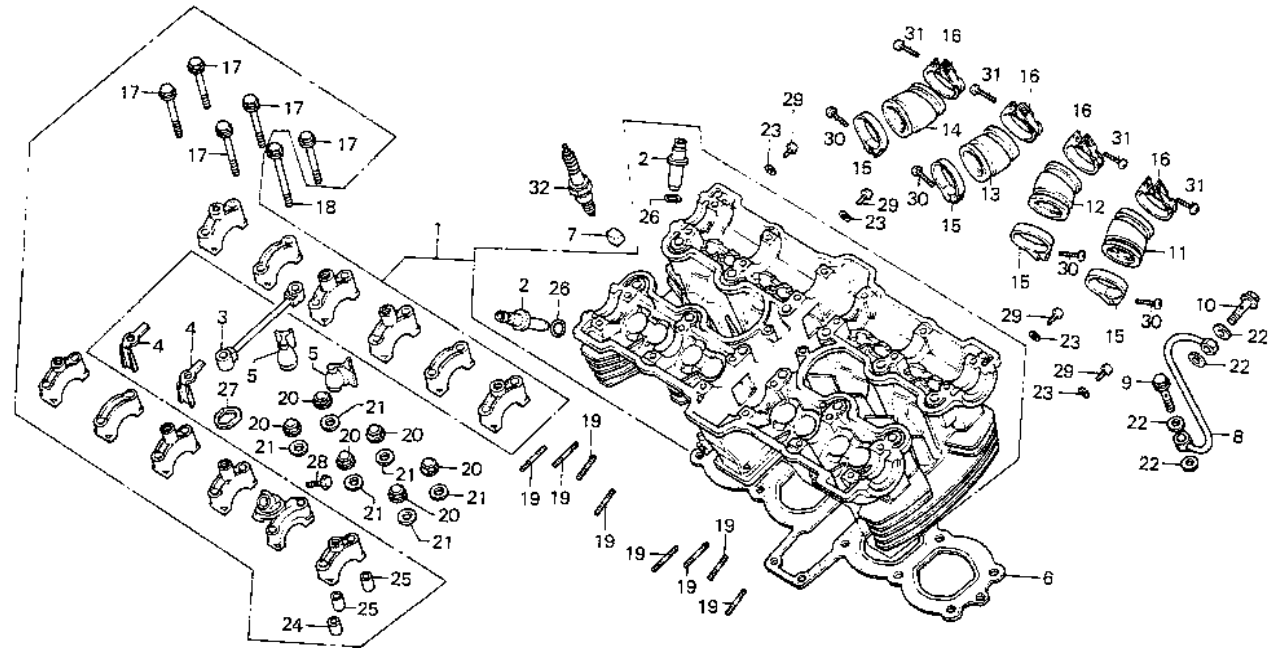
E-3

Cylinder head

Culasse

Zylinderkopf

Culata



B425-2

Service item	F.R.T.	Ref. No.	Part No.	Description	Reqd. No. C8900 Fz Fa	Serial No.	Area code
		13	16213-438-000	INSULATOR 3, CARBURETOR	1 1		
		14	16214-438-000	INSULATOR 4, CARBURETOR	1 1		
		15	16219-422-000	BAND, INSULATOR	4 4		
		16	17255-371-000	BAND, IN. MANIFOLD	4 4		
		17	90018-425-000	BOLT, FLANGE, 6X48	22 22		
		18	90019-425-000	BOLT, FLANGE, 6X61	2 2		
		19	90026-438-000	BOLT, STUD, 6X50	8 8		
		20	90202-329-000	NUT, FLANGE CAP, 10MM	12	2007050	
			90202-438-000	NUT, FLANGE CAP, 10MM	12	2007051	
					12		
		21	90403-438-003	WASHER, SEALING, 10MM	12 12		
		22	90441-425-000	WASHER, SEALING, 10MM	4 4		
		23	90452-323-000	WASHER, THRUST, 5MM	4 4		
		24	90701-425-000	PIN, DOWEL, 8X26	1 1		
		25	90705-639-000	PIN, DOWEL, 8X20.5	23 23		
		26	91301-200-000	O-RING, 10X1.6	16 16		



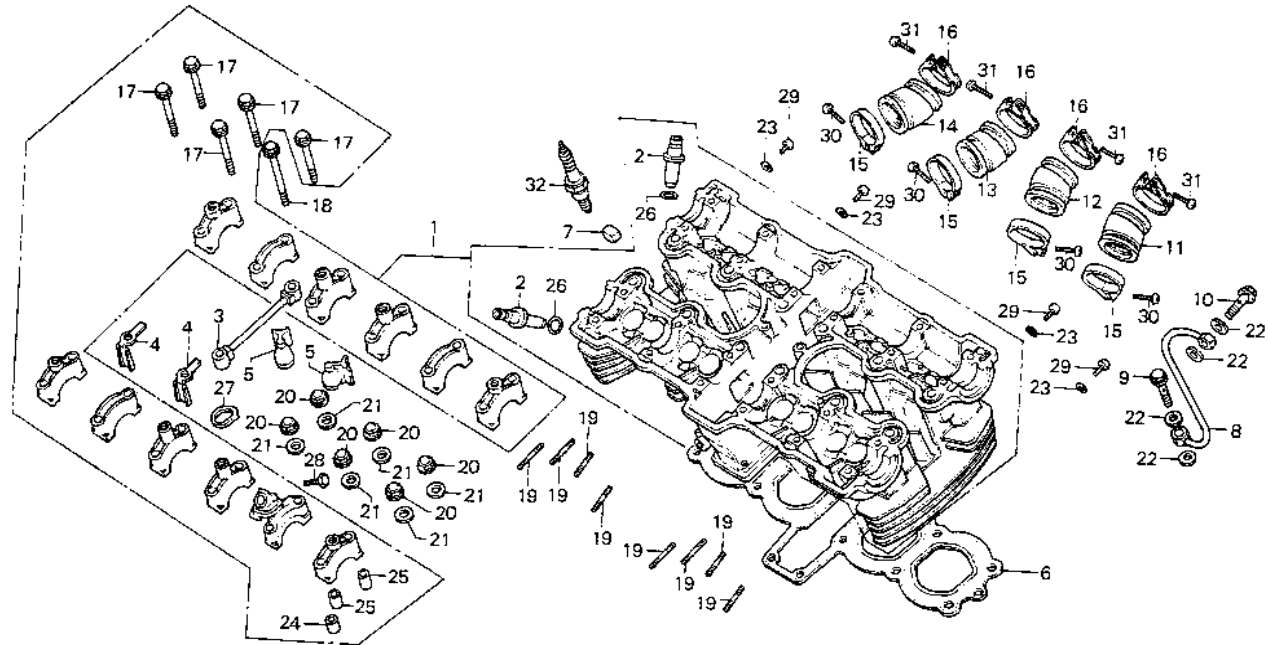
E-3

Cylinder head

Culasse

Zylinderkopf

Culata



B425-2

Service item	F.R.T.	Ref. No.	Part No.	Description	Reqd. No. CB900 Fz FA	Serial No.	Area code
		27	91311-425-000	O-RING, CAMSHAFT HOLDER	1 1		
		28	92000-05020-0A	BOLT, HEX., 5X20	1 1		
		29	93500-05008-0A	SCREW, PAN, 5X8	4 4		
		30	93500-05020-0G	SCREW, PAN, 5X20	4 4		
		31	93500-05025-0G	SCREW, PAN, 5X25	4 4		
		32	98069-38716	PLUG, SPARK (DR8ES-L NGK)	{4}{4}		E, ED, F, G, SA
			98069-38716	PLUG, SPARK (DR8ES NGK)	4 4		E, ED, F, G, SA
			98069-58717	PLUG, SPARK (D8EA NGK)	{4}{4}		DK, DM, U
			98069-58726	PLUG, SPARK (X24ESR-U ND)	{4}{4}		E, ED, F, G, SA
			98069-58727	PLUG, SPARK (X24ES-U ND)	{4}{4}		DK, DM, U
			98069-59717	PLUG, SPARK (D9EA NGK)	4 4		DK, DM, U
			98069-59726	PLUG, SPARK (X27ESR-U ND)	4 4		E, ED, F, G, SA
			98069-59727	PLUG, SPARK (X27ES-U ND)	4 4		DK, DM, U



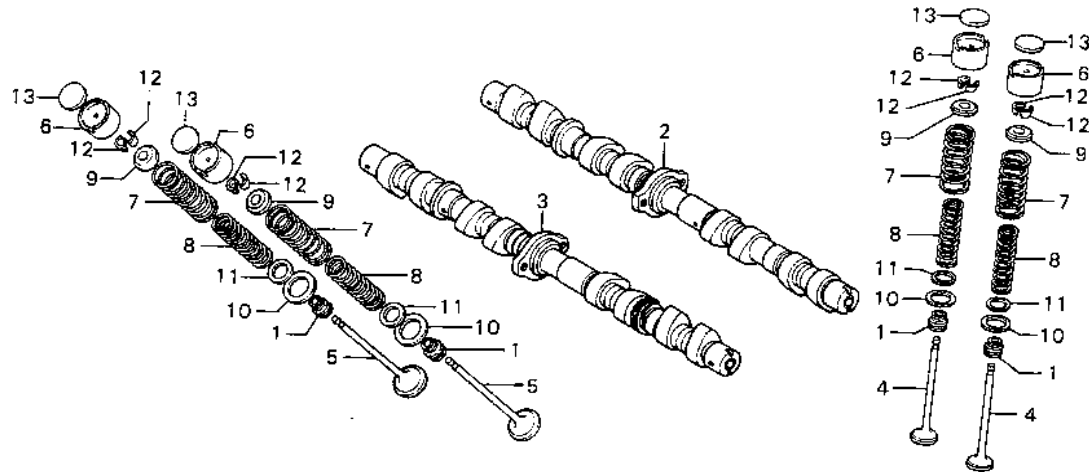
E-4

Camshaft • Valve

Arbre à cames • Soupape

Nockenwelle • Ventil

Arbol de levas • Válvula



B425-3

Service item	F.R.T.	Ref. No.	Part No.	Description	Reqd. No.		Serial No.	Area code
					CB900	Fz FA		
CAMSHAFT COMP., IN.	1.2	1	12209-422-005	SEAL, VALVE STEM	16	16		
CAMSHAFT COMP., EX.	1.3	2	14100-438-000	CAMSHAFT COMP., IN.	1	1		
(WHEN SERVICING COMP., UNIT, F.R.T. IS 1.5.)		3	14200-438-000	CAMSHAFT COMP., EX.	1	1		
VALVE	*4.8	4	14711-438-000	VALVE, IN.	8	8		
(ADD 0.2 FOR EACH.)		5	14721-438-000	VALVE, EX.	8	8		
(INC. REFACING)		6	14731-425-000	LIFTER, VALVE	16	16		
SPRING, VALVE OUTER	*4.7	7	14751-422-005	SPRING, VALVE OUTER (NIPPON HATSUJO)	16	16		
INC. RELATIVE PART		8	14761-422-005	SPRING, VALVE INNER (NIPPON HATSUJO)	16	16		
(ADD 0.1 FOR EACH.)		9	14771-329-000	RETAINER, VALVE SPRING	16	16		
		10	14775-438-000	SEAT, VALVE SPRING OUTER	16	16		
		11	14776-438-000	SEAT, VALVE SPRING INNER	16	16		
		12	14781-107-020	CUTTER, VALVE	32	32		



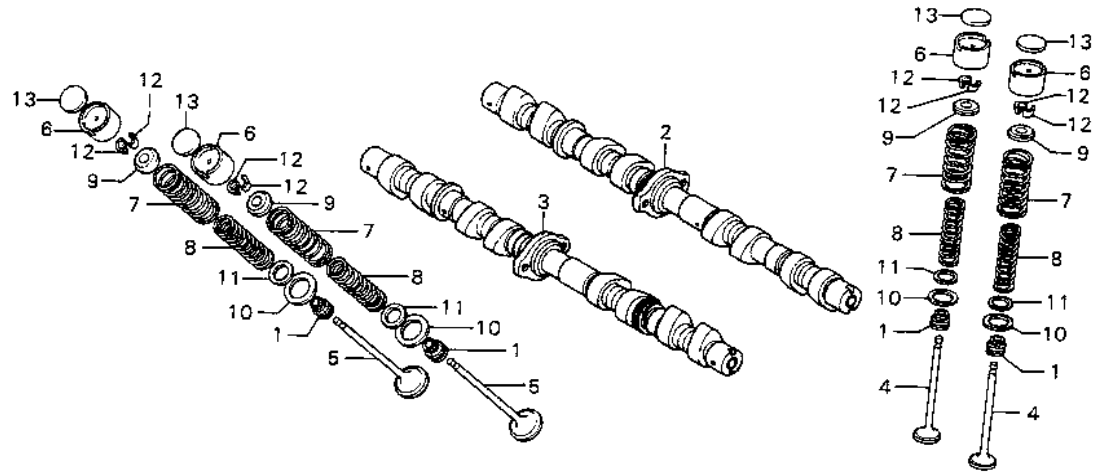
E-4

Camshaft • Valve

Arbre à cames • Soupape

Nockenwelle • Ventil

Arbol de levas • Válvula



B425-3

Service item	F.R.T.	Ref. No.	Part No.	Description	Reqd. No. C8900 Fz Fa	Serial No.	Area code
		13	14901-422-000	SHIM, TAPPET (2.30)	16 16		
			14903-422-000	SHIM, TAPPET (2.35)	16 16		
			14905-422-000	SHIM, TAPPET (2.40)	16 16		
			14907-422-000	SHIM, TAPPET (2.45)	16 16		
			14909-422-000	SHIM, TAPPET (2.50)	16 16		
			14911-422-000	SHIM, TAPPET (2.55)	16 16		
			14913-422-000	SHIM, TAPPET (2.60)	16 16		
			14915-422-000	SHIM, TAPPET (2.65)	16 16		
			14917-422-000	SHIM, TAPPET (2.70)	16 16		
			14919-422-000	SHIM, TAPPET (2.75)	16 16		



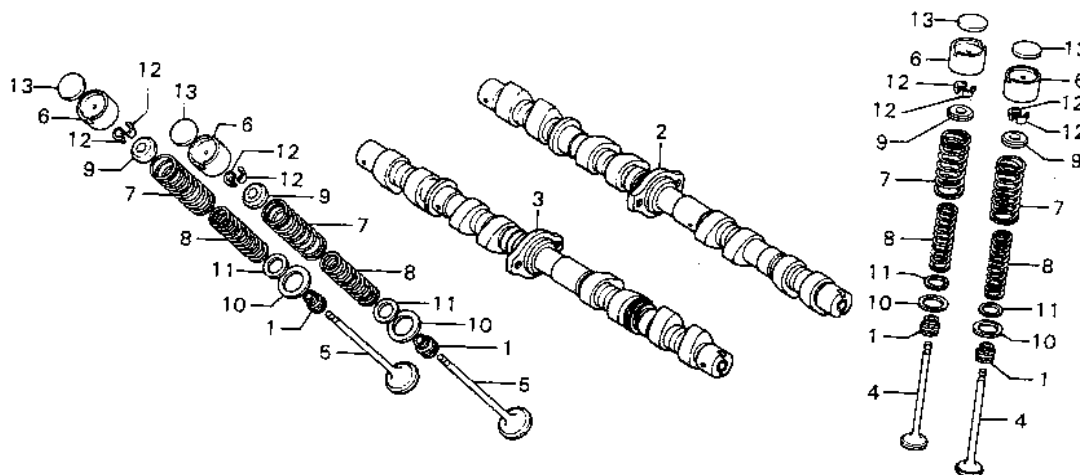
E-4

Camshaft • Valve

Arbre à cames • Soupape

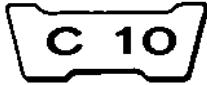
Nockenwelle • Ventil

Arbol de levas • Válvula



B425-3

Service item	F.R.T.	Ref. No.	Part No.	Description	Reqd. No. CB900 Fz FA	Serial No.	Area code
			14921-422-000	SHIM, TAPPET (2.80)	16 16		
			14923-422-000	SHIM, TAPPET (2.85)	16 16		
			14925-422-000	SHIM, TAPPET (2.90)	16 16		
			14927-422-000	SHIM, TAPPET (2.95)	16 16		
			14929-422-000	SHIM, TAPPET (3.00)	16 16		
			14931-422-000	SHIM, TAPPET (3.05)	16 16		
			14933-422-000	SHIM, TAPPET (3.10)	16 16		
			14935-422-000	SHIM, TAPPET (3.15)	16 16		
			14937-422-000	SHIM, TAPPET (3.20)	16 16		
			14939-422-000	SHIM, TAPPET (3.25)	16 16		



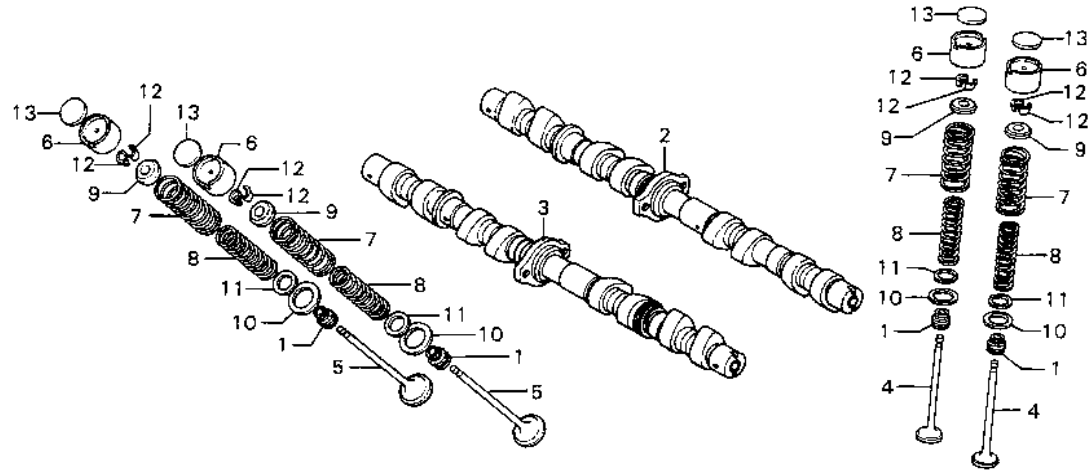
E-4

Camshaft • Valve

Arbre à cames • Soupape

Nockenwelle • Ventil

Arbol de levas • Válvula



B425-3

Service item	F.R.T.	Ref. No.	Part No.	Description	Reqd. No. CB900 Fz Fx	Serial No.	Area code
			14941-422-000	SHIM, TAPPET (3.30)	16 16		
			14943-422-000	SHIM, TAPPET (3.35)	16 16		
			14945-422-000	SHIM, TAPPET (3.40)	16 16		
			14947-422-000	SHIM, TAPPET (3.45)	16 16		
			14949-422-000	SHIM, TAPPET (3.50)	16 16		

C 11

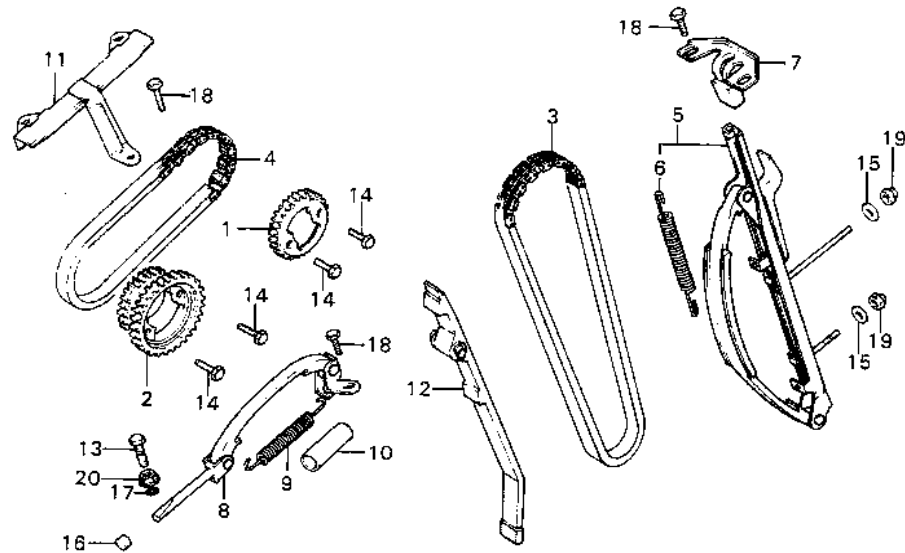
E-5

Cam chain • Tensioner

Chaîne de cames •
Tendeur

Steuerkette • Spanner

Cadena de levas • Tensionador



B425-4

Service item	F.R.T.	Ref. No.	Part No.	Description	Reqd. No. CB900 Fz FA	Serial No.	Area code
SPROCKET, IN. CAM	1.2	1	14321-425-000	SPROCKET, IN. CAM	1 1		
SPROCKET, EX. CAM	1.3	2	14322-425-000	SPROCKET, EX. CAM	1 1		
TENSIONER COMP. B, CAM CHAIN		3	14401-438-004	CHAIN A, CAM	1 1		
CHAIN A, CAM	*6.9	4	14402-438-004	CHAIN B, CAM	1 1		
CHAIN B, CAM	1.5	5	14500-425-000	TENSIONER COMP. A, CAM CHAIN	1	2011312	
TENSIONER COMP. A, CAM CHAIN	*5.1		14500-425-010	TENSIONER COMP. A, CAM CHAIN	1	2011313	
PLATE, CAM CHAIN TENSIONER	0.7				1		
SETTING							
GUIDE B, CAM CHAIN		6	14514-425-000	SPRING A, CAM CHAIN TENSIONER	1 1		
GUIDE, CAM CHAIN	*4.6	7	14521-438-000	PLATE, CAM CHAIN TENSIONER	1 1		
				SETTING			
		8	14530-425-000	TENSIONER COMP. B, CAM CHAIN	1	2014190	
			14530-425-010	TENSIONER COMP. B, CAM CHAIN	1	2014191	
					1		
		9	14538-425-000	SPRING B, CAM CHAIN TENSIONER	1 1		

C 12

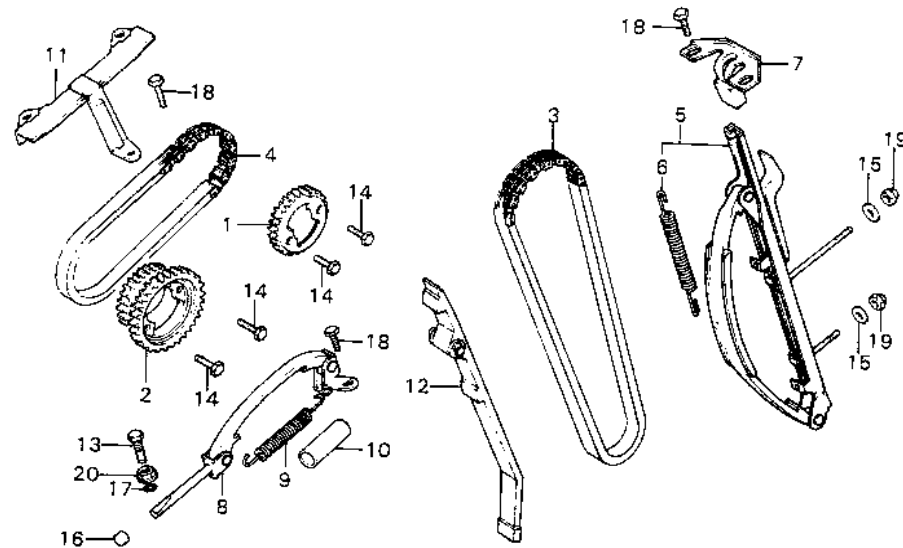
E-5

Cam chain • Tensioner

**Chaîne de cames •
Tendeur**

Steuerkette • Spanner

Cadena de levas • Tensionador



6425-4

Service item	F.R.T.	Ref. No.	Part No.	Description	Reqd. No. C8900 Fz FA	Serial No.	Area code
		10	14539-425-000	TUBE, CAM CHAIN TENSIONER SPRING	1 1		
		11	14541-425-000	GUIDE 8, CAM CHAIN	1	2002065	
			14541-425-010	GUIDE 8, CAM CHAIN	1	2002066	
		12	14620-436-000	GUIDE, CAM CHAIN	1		
		13	90021-422-000	BOLT, TENSIONER ADJUSTING	1		
		14	90086-413-000	BOLT, HEX. KNOCK, 7X12	4		
		15	90441-706-000	WASHER, SEALING, 6MM	2		
		16	91208-422-003	PLUG, SEALING, 11.5X7	1		
		17	91307-422-000	O-RING, 4.9X1.9	1		
		18	92000-06014	BOLT, HEX., 6X14	3		
		19	94021-06000	NUT, CAP, 6MM	2		
		20	94050-09000	NUT, FLANGE, 8MM	1		

C 13

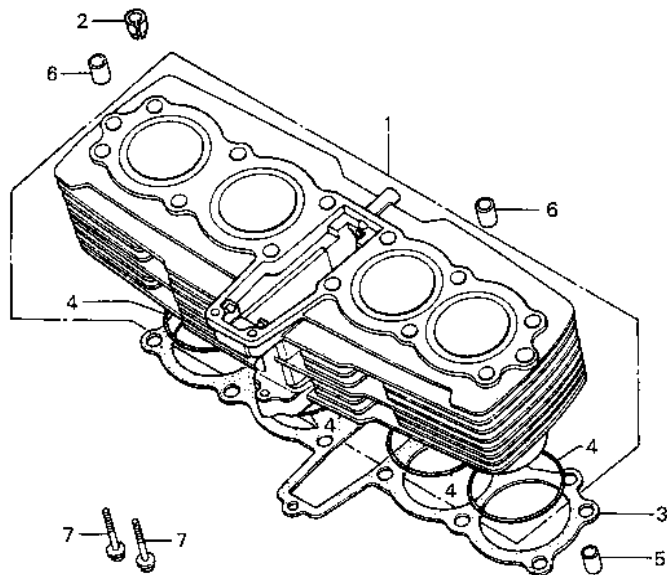
E-6

Cylinder

Cylindre

Zylinder

Cilindro



8438-40

Service item	F.R.T.	Ref. No.	Part No.	Description	Reqd. No. CBS00 Fz FA	Serial No.	Area code
CYLINDER COMP. GASKET, CYLINDER	*5.0	1	12100-438-000	CYLINDER COMP.	1 1		
		2	12110-438-010	DAMPER, CYLINDER STUD BOLT	12 12		
		3	12191-425-000	GASKET, CYLINDER	1	2011259	
			12191-425-010	GASKET, CYLINDER	1	2011260	
		4	91302-425-000	O-RING, 66.8X2	4 4		
		5	94301-10160	PIN A, DDWEL, 10X16	2 2		
		6	94301-12200	PIN A, DDWEL, 12X20	2 2		
	7	95700-06032-00	BOLT, FLANGE, 6X32	2 2			

C 14

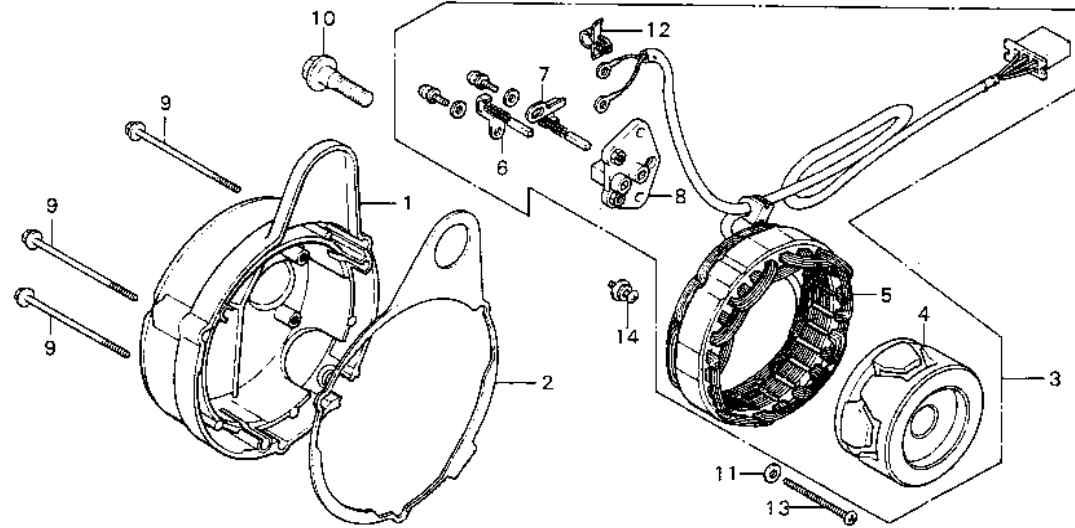
E-7

Generator · Dynamo cover

Générateur ·
Couvercle de générateur

Lichtmaschine · Dynamodeckel

Generador ·
Cubierta de generador



8425-6

Service item	F.R.T.	Ref. No.	Part No.	Description	Reqd. No. CB900 Fz FA	Serial No.	Area code
COVER, DYNAMO	0.3	1	11631-425-000	COVER, DYNAMO	1	2010733	
ROTOR COMP.			11631-425-010	COVER, DYNAMO	1	2010734	
PACKING, A.C. GENERATOR COVER	0.1				1		
GENERATOR ASSY., A.C.	0.5	2	11691-425-000	PACKING, A.C. GENERATOR COVER	1		
STATOR COMP.		3	31100-425-871	GENERATOR ASSY., A.C.	1		
BRUSH COMP.		4	31110-425-005	ROTOR COMP.	1		
(ONE OR ALL)	0.4	5	31120-425-871	STATOR COMP.	1		
		6	31124-422-005	BRUSH COMP. A	1		
		7	31125-422-005	BRUSH COMP. B	1		
		8	31126-422-015	BASE, BRUSH	1		
		9	90007-425-000	BOLT, FLANGE, 6X70	3		
			96000-06070-00	BOLT, FLANGE, 6X70	3		
		10	90023-425-000	BOLT, FLANGE, 12X40	1		
		11	90563-304-000	WASHER, NUMBER PLATE MOUNTING	3		
		12	90659-170-000	CLIP, CABLE	1		
		13	93500-06045	SCREW, PAN, 6X45	3		
		14	93893-06014-00	SCREW-WASHER, 6X14	2		

C 15

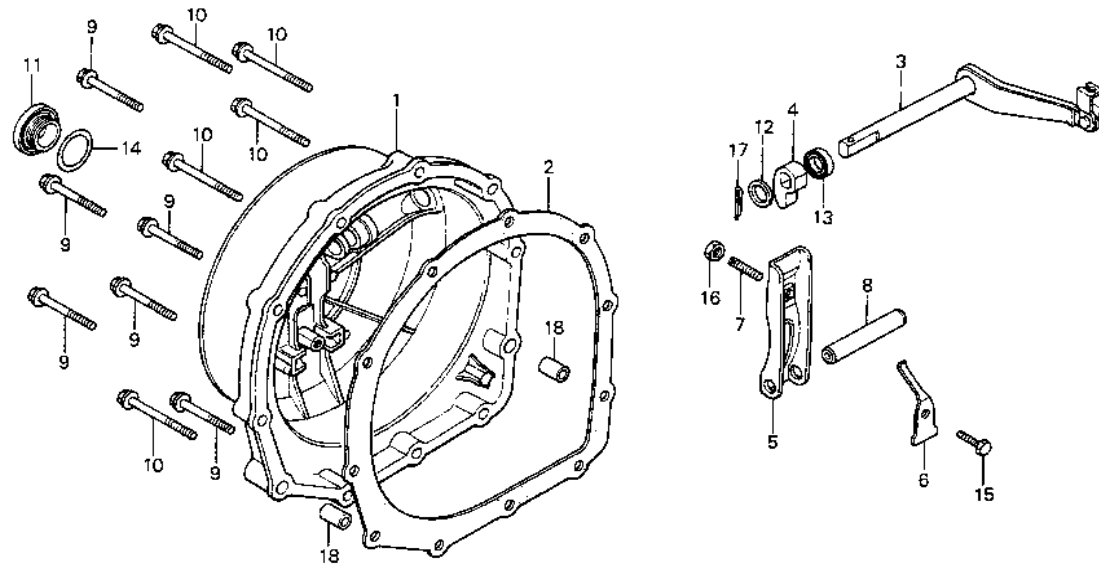
E-8

Clutch cover

Couvercle d'embrayage

Kupplungsdeckel

Cubierta de embrague



B438-2

Service item	F.R.T.	Ref. No.	Part No.	Description	Reqd. No. CB900 Fz. FA	Serial No.	Area code
COVER COMP., CLUTCH	0.7	1	11330-425-000	COVER COMP., CLUTCH	1	1	
LEVER COMP., CLUTCH		2	11396-425-000	GASKET, CLUTCH COVER	1	1	
INC. RELATIVE PART		3	22710-438-000	LEVER COMP., CLUTCH	1	1	
LEVER, CLUTCH ADJUSTING		4	22821-107-000	CAM, CLUTCH LIFTER	1	1	
OIL SEAL, 10X16X4.5	0.6	5	22831-425-000	LEVER, CLUTCH ADJUSTING	1	1	
GASKET, CLUTCH COVER		6	22835-425-000	PLATE, CLUTCH LEVER SETTING	1	1	
		7	22841-425-000	BOLT, CLUTCH ADJUSTING	1	1	
		8	28106-422-000	SHAFT, STARTER REDUCTION GEAR	1	1	
		9	90006-415-000	BOLT, FLANGE, 6X32	6		
			96000-06032-00	BOLT, FLANGE, 6X32	6	6	
		10	90007-428-000	BOLT, FLANGE, 6X40	5		
			96000-06040-00	BOLT, FLANGE, 6X40	5	5	
		11	90042-422-000	CAP, CLUTCH ADJUSTING	1	1	
		12	90471-333-000	WASHER, 10MM	1	1	
		13	91206-333-003	OIL SEAL, 10X16X4.5	1	1	
		14	91305-714-000	O-RING, 24MM	1	1	

C 16

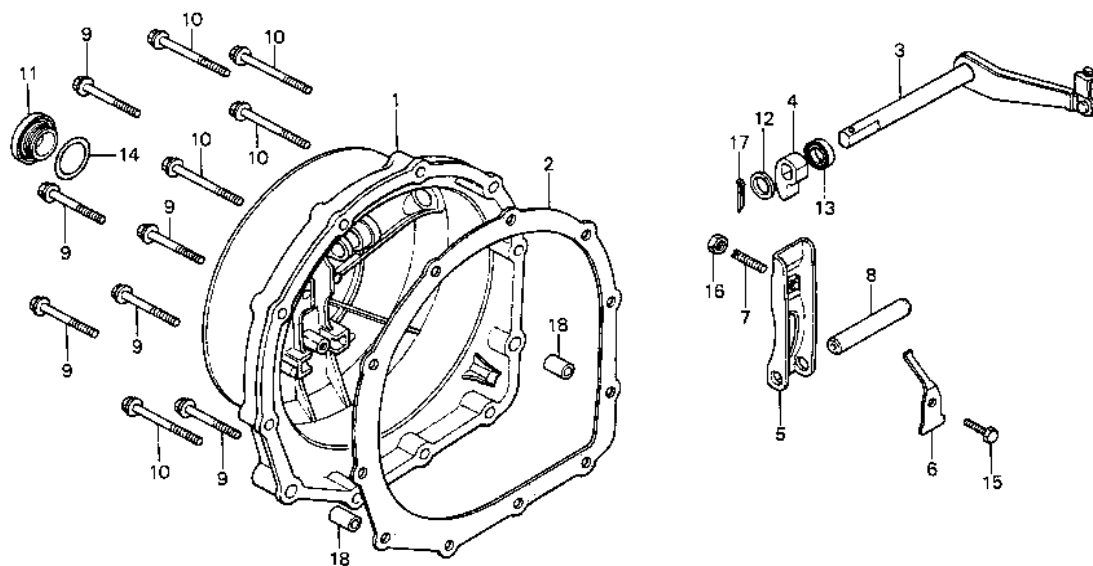
E-8

Clutch cover

Couvercle d'embrayage

Kupplungsdeckel

Cubierta de embrague



B438-2

Service item	F.R.T.	Ref. No.	Part No.	Description	Reqd. No. CB900 Fz FA	Serial No.	Area code
		15	92000-06012	BOLT, HEX., 6X12	1 1		
		16	94001-06000	NUT, HEX., 6MM	1 1		
		17	94201-20150	PIN, SPLIT, 2.0X15	1 1		
		18	94301-08140	PIN A, DOWEL, 8X14	2 2		

D 1

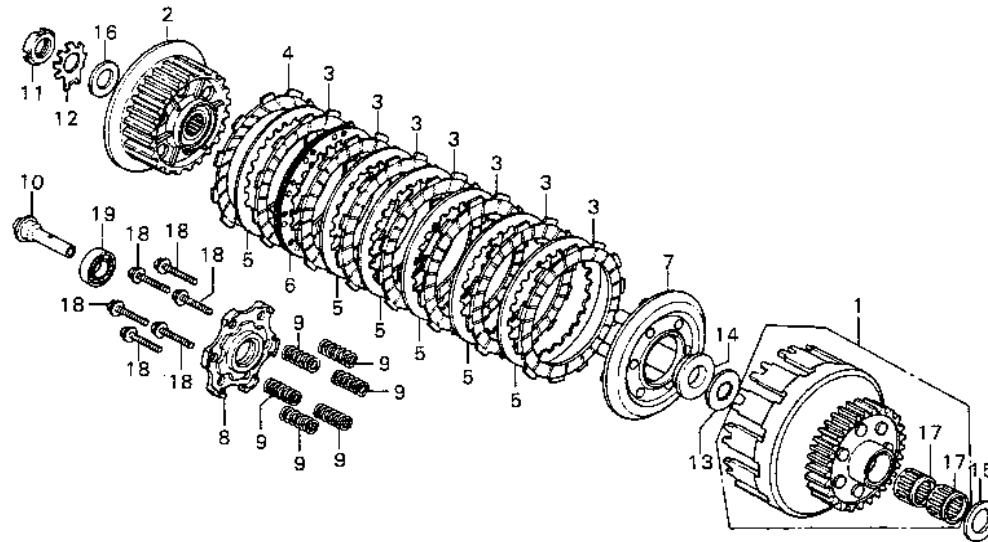
E-9

Clutch

Embrayage

Kupplung

Embrague



B425-8

Service item	F.R.T.	Ref. No.	Part No.	Description	Reqd. No. CB900 Fz Fa	Serial No.	Area code
OUTER COMP., CLUTCH	0.9	1	22100-438-000	OUTER COMP., CLUTCH	1	1	
INC. RELATIVE PART		2	22120-425-000	CENTER, CLUTCH	1	1	
CENTER, CLUTCH		3	22201-425-000	DISK A, CLUTCH FRICTION	7	7	
DISK CLUTCH FRICTION		4	22202-425-000	DISK B, CLUTCH FRICTION	1	1	
PLATE, CLUTCH PRESSURE		5	22321-425-000	PLATE, CLUTCH	6	6	
PLATE, CLUTCH LIFTER	0.7	6	22322-425-000	PLATE COMP. B, CLUTCH	1	1	
SPRING, CLUTCH		7	22350-425-000	PLATE, CLUTCH PRESSURE	1	1	
(ONE OR ALL)		8	22361-425-000	PLATE, CLUTCH LIFTER	1	1	
GUIDE, CLUTCH LIFTER	0.6	9	22401-422-000	SPRING, CLUTCH	6	6	
		10	22843-425-000	GUIDE, CLUTCH LIFTER	1	1	
		11	90231-200-010	NUT, LOCK, 16MM	1	1	
		12	90431-292-000	WASHER, LOCK, 16MM	1	1	
		13	90432-371-000	WASHER, SPLINE, 23MM	1	1	
		14	90432-425-000	COLLAR, CLUTCH	1	1	
		15	90455-333-010	WASHER, THRUST, 25MM	1	1	

D 2

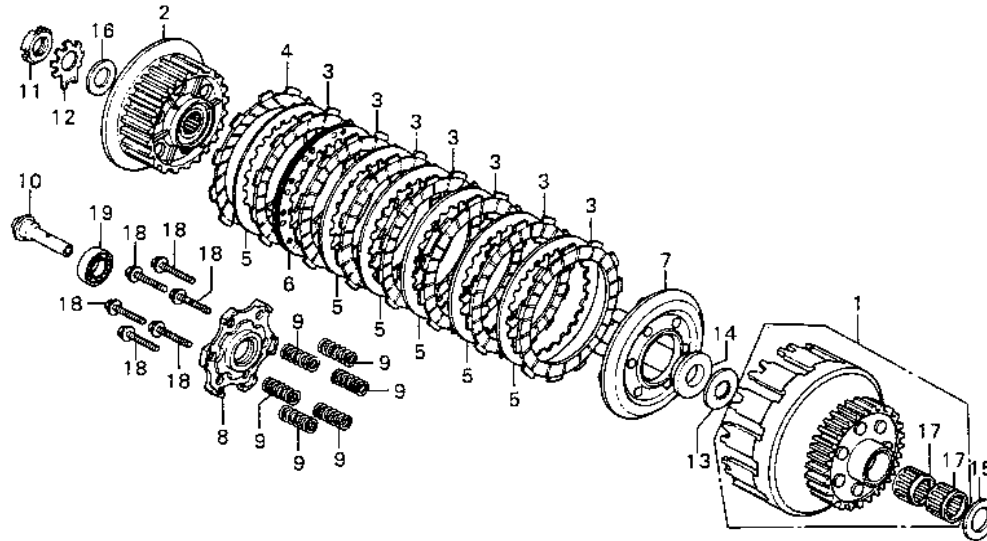
E-9

Clutch

Embrayage

Kupplung

Embrague



8425-8

Service item	F.R.T.	Ref. No.	Part No.	Description	Reqd. No. CB900 Fz FA	Serial No.	Area code
		16	90481-292-000	WASHER, OIL FILTER ROTOR LOCK	1 1		
		17	91010-300-008	BEARING, NEEDLE, 25X32X20	2 2		
		18	95725-06025-00	BOLT, FLANGE, 6X25	6 6		
		19	96100-60030	BEARING, RADIAL BALL, 6003	1 1		

D 3

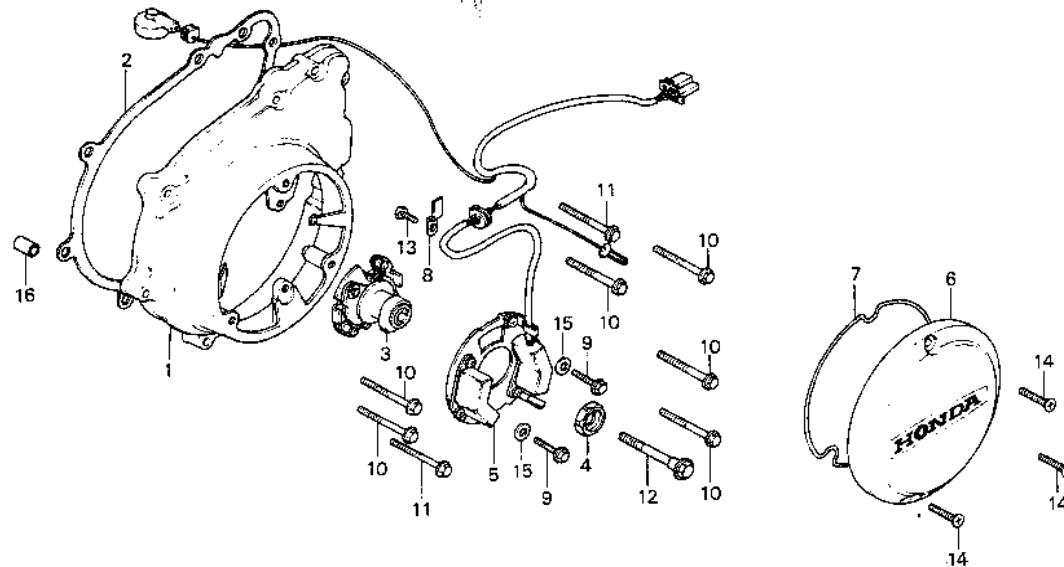
E-10

Left cover • Advancer

Couvercle gauche • Avance

Linker Deckel • Zündversteller

Cubierta izquierda •
Avanzador



B438-3

Service item	F.R.T.	Ref. No.	Part No.	Description	Reqd. No.		Serial No.	Area code
					CB900	Fz Fa		
COVER, L. CRANKCASE	0.4	1	11341-425-000	COVER, L. CRANKCASE	1	1		
GASKET, L. SIDE COVER	0.3	2	11395-425-000	GASKET, L. SIDE COVER	1	1		
ADVANCER ASSY., SPARK	0.2	3	30220-438-154	ADVANCER ASSY., SPARK (TOYO)	1	1		
GENERATOR ASSY., PULSE	0.6	4	30228-425-010	BOSS, TIMING	1	1		
COVER, POINT	0.1	5	30300-438-154	GENERATOR ASSY., PULSE (TOYO)	1	1		
		6	30371-425-000	COVER, POINT	1	1		
		7	30372-425-000	GASKET, POINT COVER	1	1		
		8	32116-425-000	PLATE, PULSER CRD SETTING	1	1		
		9	90004-415-000	BOLT, FLANGE, 6X14	2			
			96000-06014-00	BCLT, FLANGE, 6X14	2	2		
		10	90006-415-000	BOLT, FLANGE, 6X32	6			
			96000-06032-00	BOLT, FLANGE, 6X32	6	6		
		11	90007-428-000	BOLT, FLANGE, 6X40	2			
			96000-06040-00	BOLT, FLANGE, 6X40	2	2		
		12	90052-425-000	BOLT, FLANGE, 8X64	1		2012971	

D 4

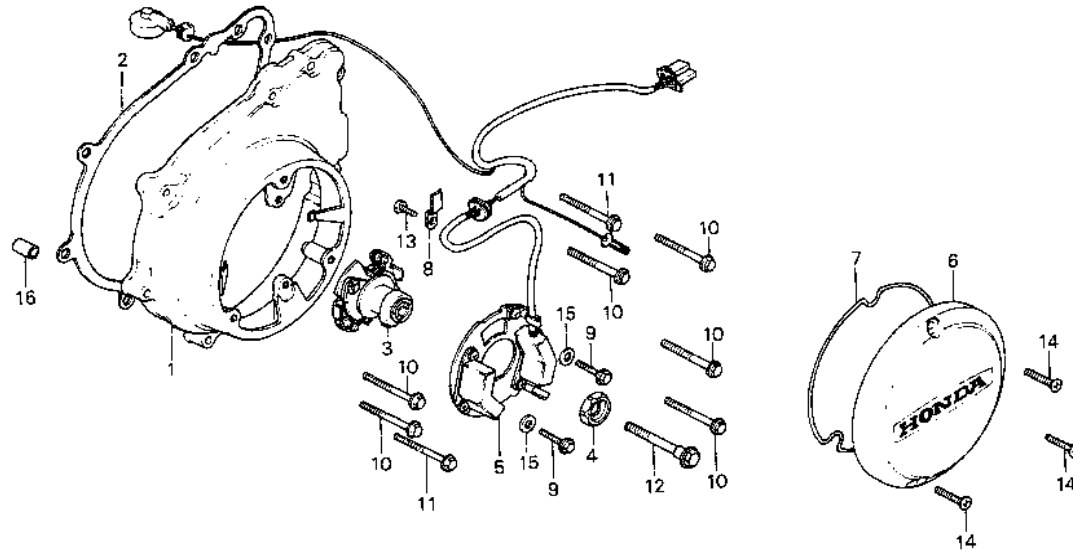
E-10

Left cover - Advancer

Couvercle gauche - Avance

Linker Deckel - Zündversteller

Cubierta izquierda -
Avanzador



B438-3

Service item	F.R.T.	Ref. No.	Part No.	Description	Reqd. No.		Serial No.	Area code
					CB900	Fz FA		
			90052-425-010	BOLT, FLANGE, 8X62	1		2012972	
		13	92000-06012	BOLT, HEX., 6X12	1	1		
		14	93700-05025-0A	SCREW, DYAL, 5X25	3	3		
		15	94101-06000	WASHER, PLAIN, 6MM	2	2		
		16	94301-08140	PIN A, DOWEL, 8X14	2	2		



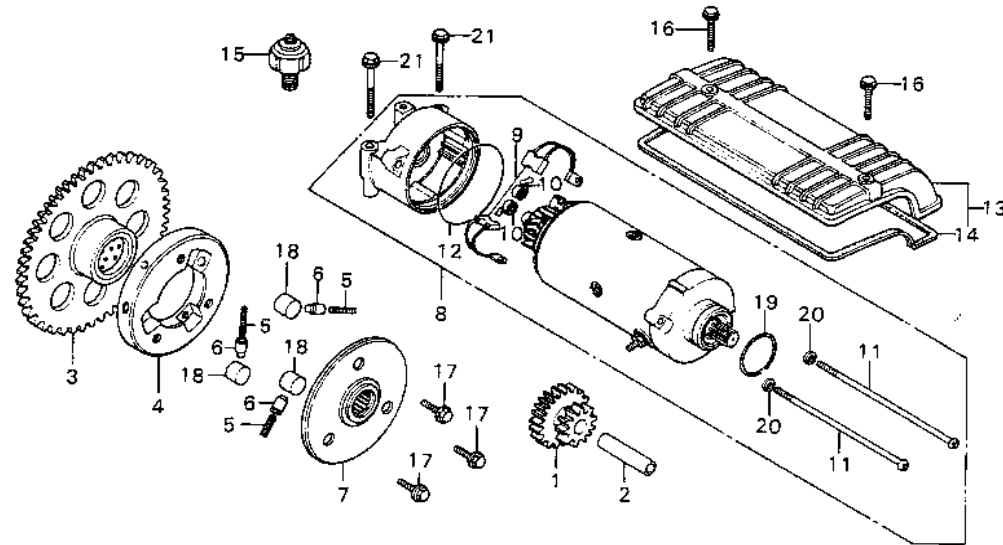
E-11

Starter motor

Moteur démarrage

Anlassermotor

Motor de arranque



6425-10

Service item	F.R.T.	Ref. No.	Part No.	Description	Reqd. No. CB900 Fz FA	Serial No.	Area code
GEAR, STARTER REDUCTION	0.4	1	28101-425-000	GEAR, STARTER REDUCTION	1		
MOTOR ASSY., STARTER		2	28106-425-000	SHAFT, STARTER REDUCTION GEAR	1		
GEAR COMP., STARTING CLUTCH	0.5	3	28110-425-000	GEAR COMP., STARTING CLUTCH (75T)	1	2014331	
SPRING, STARTING CLUTCH ROLLER							
INC. RELATIVE PART			28110-425-010	GEAR COMP., STARTING CLUTCH (75T)	1	2014332	
OUTER COMP., STARTING CLUTCH	0.6	4	28120-425-000	OUTER COMP., STARTING CLUTCH	1		
INC. RELATIVE PART							
BRUSH SET, CARBON (ONE OR ALL)		5	28125-516-030	SPRING, STARTING CLUTCH ROLLER	3		
COVER COMP., STARTING MOTOR	0.1	6	28126-516-020	CAP, STARTING CLUTCH ROLLER	3		
SWITCH ASSY., OIL PRESSURE	0.2			SPRING			
		7	28130-425-000	FLANGE COMP., STARTER DRIVE	1		
		8	31200-438-008	MOTOR ASSY., STARTER (MITSUBA)	1		
		9	31201-292-158	BRUSH SET, CARBON	1		
		10	31204-292-158	SPRING, CARBON BRUSH	2		



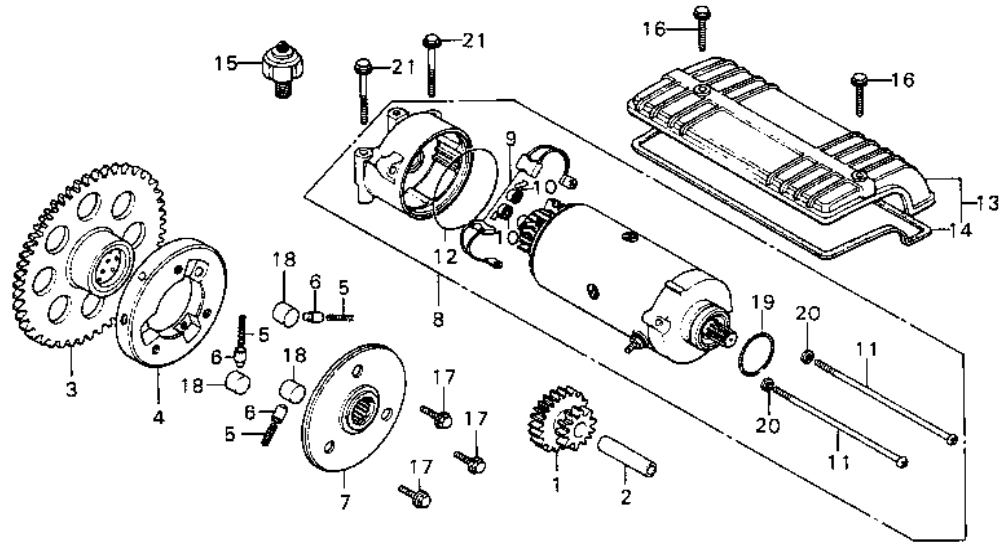
E-11

Starter motor

Moteur démarrage

Anlassermotor

Motor de arranque



B425-10

Service item	F.R.T.	Ref. No.	Part No.	Description	Reqd. No. CB900 Fz FA	Serial No.	Area code
		11	31205-413-780	BOLT, STARTING MOTOR COVER	2 2		
		12	31206-286-158	O-RING	1 1		
		13	31280-425-000	COVER COMP., STARTING MOTOR	1 1		
		14	31282-425-300	PACKING, STARTING MOTOR COVER	1 1		
		15	35500-333-014	SWITCH ASSY., OIL PRESSURE	1 1		
				(ND)			
		16	90008-413-000	BOLT, FLANGE, 6X18	2		
			96000-06018-00	BOLT, FLANGE, 6X18	2 2		
		17	90022-425-000	BOLT, FLANGE, 8X16	3 3		
		18	91101-516-000	ROLLER, 15X13	3 3		
		19	91309-300-000	O-RING, 24.4X3.1	1 1		
		20	94111-05000	WASHER, SPRING, 5MM	2 2		
		21	95700-06060-00	BOLT, FLANGE, 6X60	2 2		

D 7

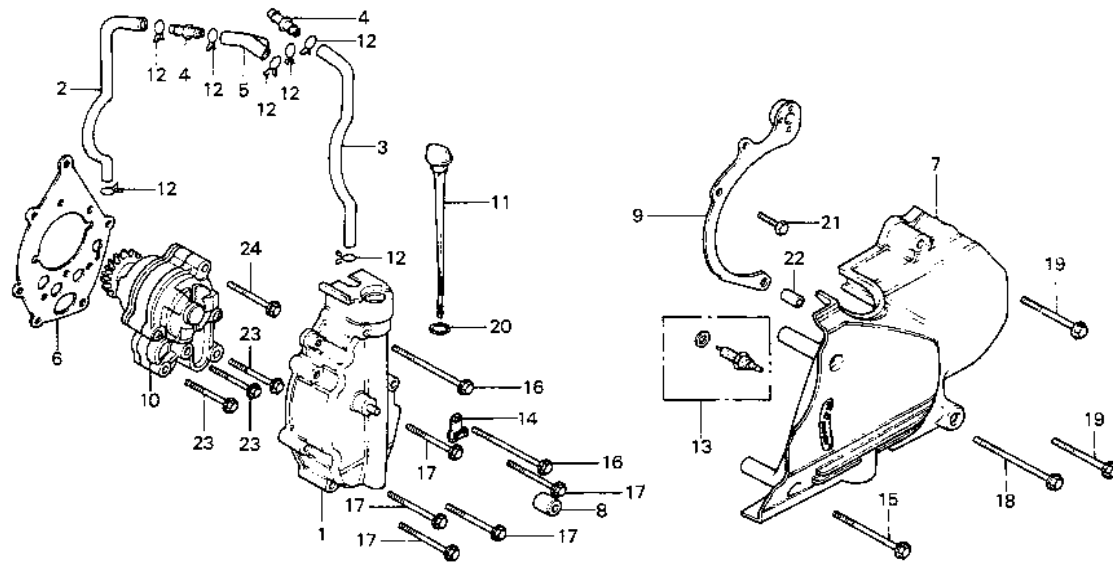
E-12

**Left crankcase cover •
Oil pump**

**Couvercle de carter moteur
gauche • Pompe à huile**

**Linker kurbel gehäusedeckel •
Ölpumpe**

**Cubierta de cárter de motor
izquierdo • Bomba de aceite**



B438-4

Service item	F.R.T.	Ref. No.	Part No.	Description	Reqd. No. CB900 Fz FA	Serial No.	Area code
COVER COMP., OIL PUMP	0.4	1	11350-425-000	COVER COMP., OIL PUMP	1 1		
TUBE, L. BREATHER		2	11355-425-000	TUBE, R. BREATHER	1 1		
TUBE, R. BREATHER	0.1	3	11356-425-000	TUBE, L. BREATHER	1 1		
COVER, L. SIDE	0.3	4	11357-425-000	JOINT, HOSE	2 2		
PROTECTOR, CASE		5	11358-425-000	JOINT, THREE WAY	1 1		
SWITCH ASSY., NEUTRAL		6	11359-425-000	GASKET, OIL PUMP COVER	1 1		
PUMP ASSY., OIL	0.5	7	11361-438-000	COVER, L. SIDE	1 1		
		8	11364-425-000	RUBBER, L. SIDE COVER MOUNTING	1 1		
		9	11615-438-000	PROTECTOR, CASE	1 1		
		10	15100-438-000	PUMP ASSY., OIL	1 1		
		11	15650-425-000	GAUGE, OIL LEVEL	1 1		
		12	17316-611-000	CLIP, BREATHER TUBE	7 7		
		13	35600-425-003	SWITCH ASSY., NEUTRAL	1 1		
		14	35610-425-000	CLIP, NEUTRAL SWITCH CORD	1 1		
		15	90002-425-000	BOLT, FLANGE, 6X55	1		



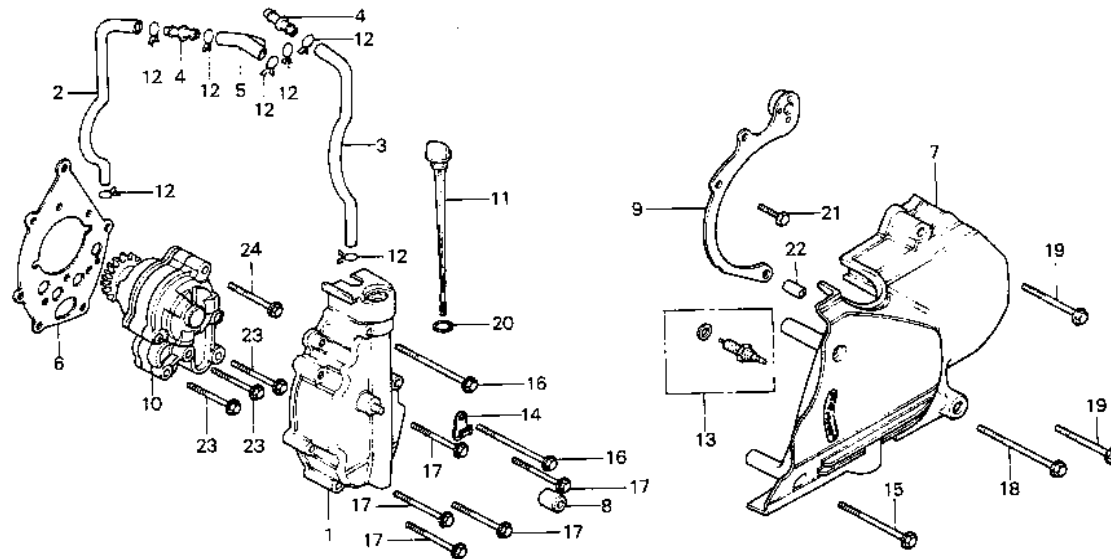
E-12

Left crankcase cover ·
Oil pump

Couvercle de carter moteur
gauche · Pompe à huile

Linker kurbel gehäusedeckel ·
Öl pumpe

Cubierta de cárter de motor
izquierdo · Bomba de aceite



B438-4

Service item	F.R.T.	Ref. No.	Part No.	Description	Reqd. No. CB900 Fz FA	Serial No.	Area code
			96000-06055-00	BOLT, FLANGE, 6X55	1 1		
		16	90005-425-000	BOLT, FLANGE, 6X65	2		
			96000-06065-00	BOLT, FLANGE, 6X65	2 2		
		17	90007-413-000	BOLT, FLANGE, 6X35	5		
			96000-06035-00	BOLT, FLANGE, 6X35	5 5		
		18	90007-425-000	BOLT, FLANGE, 6X70	1		
			96000-06070-00	BOLT, FLANGE, 6X70	1 1		
		19	90007-428-000	BOLT, FLANGE, 6X40	2		
			96000-06040-00	BOLT, FLANGE, 6X40	2 2		
		20	91301-250-000	O-RING, 21.5MM	1 1		
			92000-06016	BOLT, HEX., 6X16	1 1		
			94301-08140	PIN A, DOWEL, 8X14	1 1		
			95700-06045-00	BOLT, FLANGE, 6X45	3 3		
			95700-06050-00	BOLT, FLANGE, 6X50	1 1		



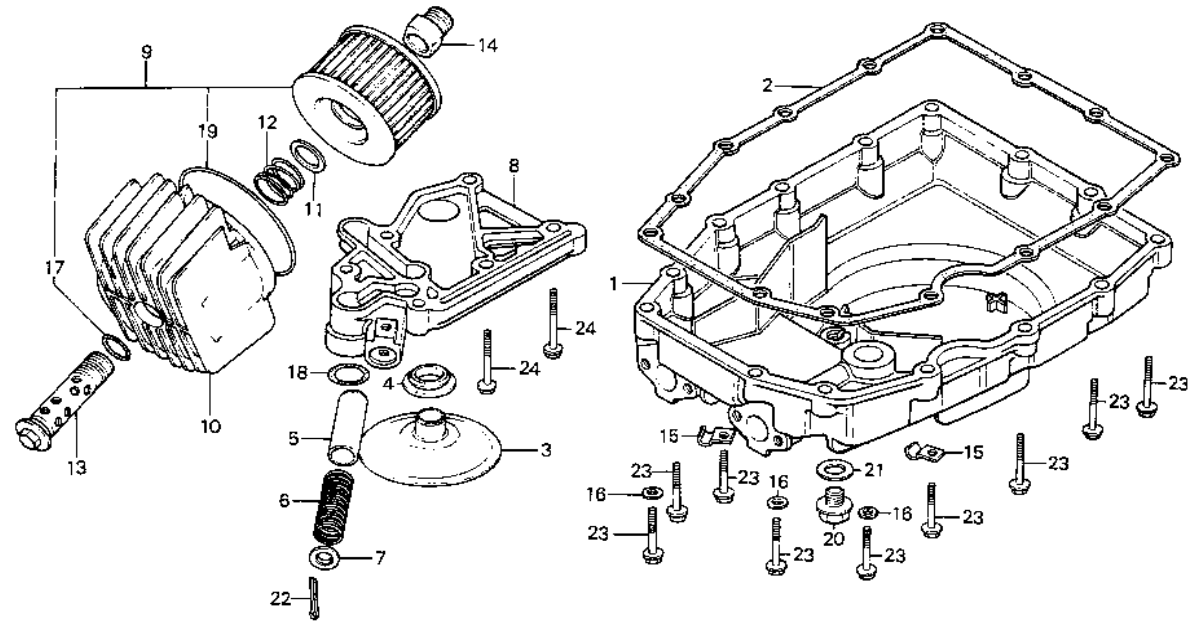
E-13

Oil filter • Oil pan

Filtre à huile • Carter

Ölfiter • Oelwanne

Filtro de aceite • Cáter del aceite



8438-5

Service item	F.R.T.	Ref. No.	Part No.	Description	Reqd. No. CB900 Fz FA	Serial No.	Area code
PAN, OIL	0.9	1	11210-438-000	PAN, OIL	1	1	
GASKET, OIL PAN	0.8	2	11398-425-000	GASKET, OIL PAN	1	1	
STRAINER, OIL		3	15153-425-000	STRAINER, OIL	1	1	
INC. RELATIVE PART		4	15154-425-000	GASKET, OIL STRAINER	1	1	
VALVE, OIL PRESSURE RELIEF	1.0	5	15231-634-010	VALVE, OIL PRESSURE RELIEF	1	1	
BODY, OIL PATH		6	15232-438-000	SPRING, RELIEF VALVE	1	1	
ELEMENT SET, OIL FILTER	0.2	7	15233-634-000	SEAT, RELIEF VALVE SPRING	1	1	
INC. RELATIVE PART		8	15311-438-000	BODY, OIL PATH	1	1	
		9	15410-426-000	ELEMENT SET, OIL FILTER	1	1	
		10	15411-422-000	CASE, OIL FILTER	1	1	
		11	15414-300-000	SEAT, OIL FILTER SPRING	1	1	
		12	15415-300-000	SPRING, OIL FILTER ELEMENT	1	1	
		13	15420-300-020	BOLT, OIL FILTER CENTER SETTING	1	1	

D 10

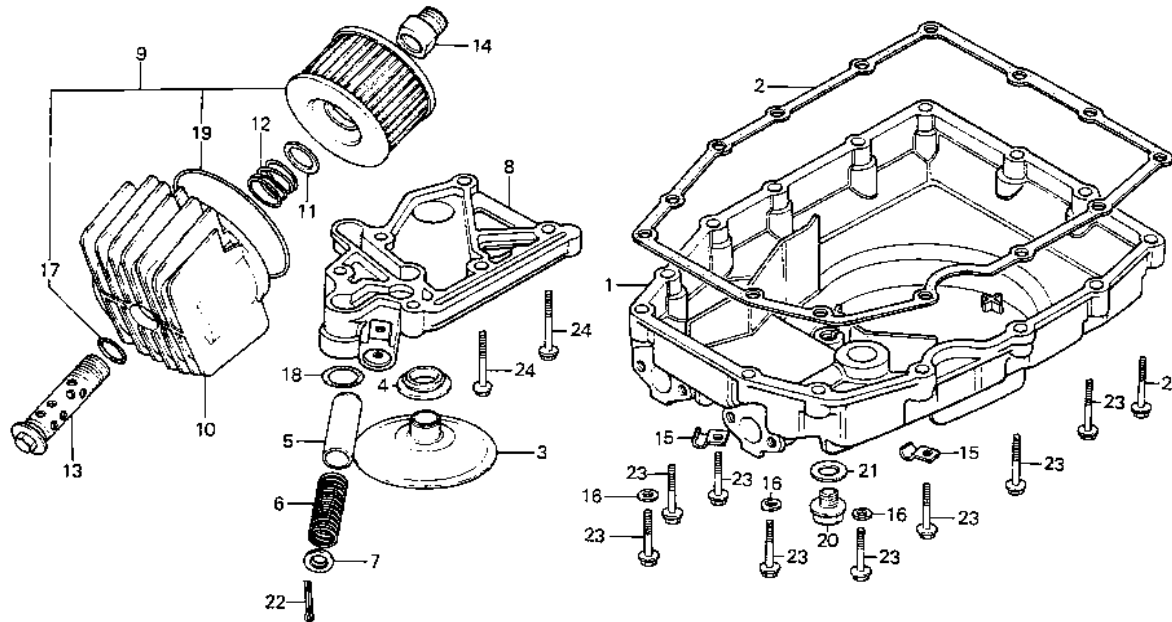
E-13

Oil filter • Oil pan

Filtre à huile • Carter

Ölfiter • Oelwanne

Filtro de aceite • Cáter del aceite



8438-5

Service item	F.R.T.	Ref. No.	Part No.	Description	Reqd. No. C8900 Fz FA	Serial No.	Area code
		14	15422-425-010	BOSS, OIL FILTER	1 1		
		15	32921-115-000	CLIP, HIGH TENSION CORD	2 2		
		16	90441-706-000	WASHER, SEALING, 6MM	3 3		
		17	91302-377-000	O-RING, 15X2.5	1 1		
		18	91306-634-000	O-RING, 17X3.5MM	1 1		
		19	91316-300-003	O-RING, 89X4.5	1 1		
		20	92800-14000	BOLT, DRAIN PLUG, 14MM	1 1		
		21	94109-14000	WASHER, DRAIN PLUG, 14MM	1 1		
		22	94201-30300	PIN, SPLIT, 3.0X30	1 1		
		23	95700-06028-00	BOLT, FLANGE, 6X28	14 14		
		24	95700-06032-00	BOLT, FLANGE, 6X32	6 6		

D 11

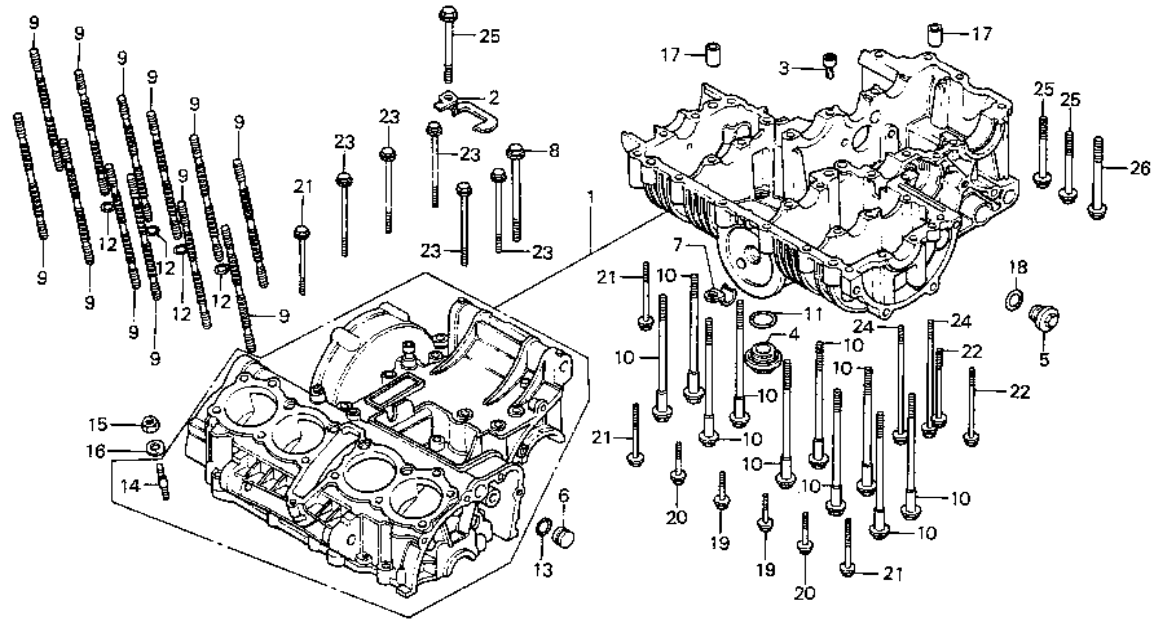
E-14

Crankcase

Carter moteur

Kurbe lgehäuse

Cárter de motor



B438-6

Service item	F.R.T.	Ref. No.	Part No.	Description	Reqd. No. CB900 Fz FA	Serial No.	Area code
CRANKCASE SET	*8.9	1	11000-425-010	CRANKCASE SET	1 1		
BOLT, STUD, 10MM (ADD 0.1 FOR EACH.)	*5.1	2	11618-425-000	PLATE, TUBE GUARD	1 1		
		3	11620-425-003	DRIFICE, OIL CENTRCL	1 1		
		4	12361-035-000	CAP, TAPPET ADJUSTING HOLE	1 1		
		5	15331-300-000	CAP, OIL PATH	1 1		
		6	15336-393-000	PLUG, OIL PATH	1 1		
		7	32921-115-000	CLIP, HIGH TENSION CORD	1 1		
		8	90024-425-000	BOLT, FLANGE, 8X83	1 1		
		9	90031-438-003	BCLT, STUD, 10MM	12 12		
		10	90042-393-000	BOLT, U9S, 8X118	10 10		
		11	91302-001-C20	O-RING, 30.8MM	1 1		
		12	91305-639-000	O-RING, 9.5X3	4 4		
		13	91306-329-000	O-RING, 16X1.9	1 1		
		14	92700-06035	BOLT, STUD, 6X35	1 1		
		15	94001-06000	NUT, HEX., 6MM	1 1		
		16	94101-06000	WASHER, PLAIN, 6MM	1 1		

D 12

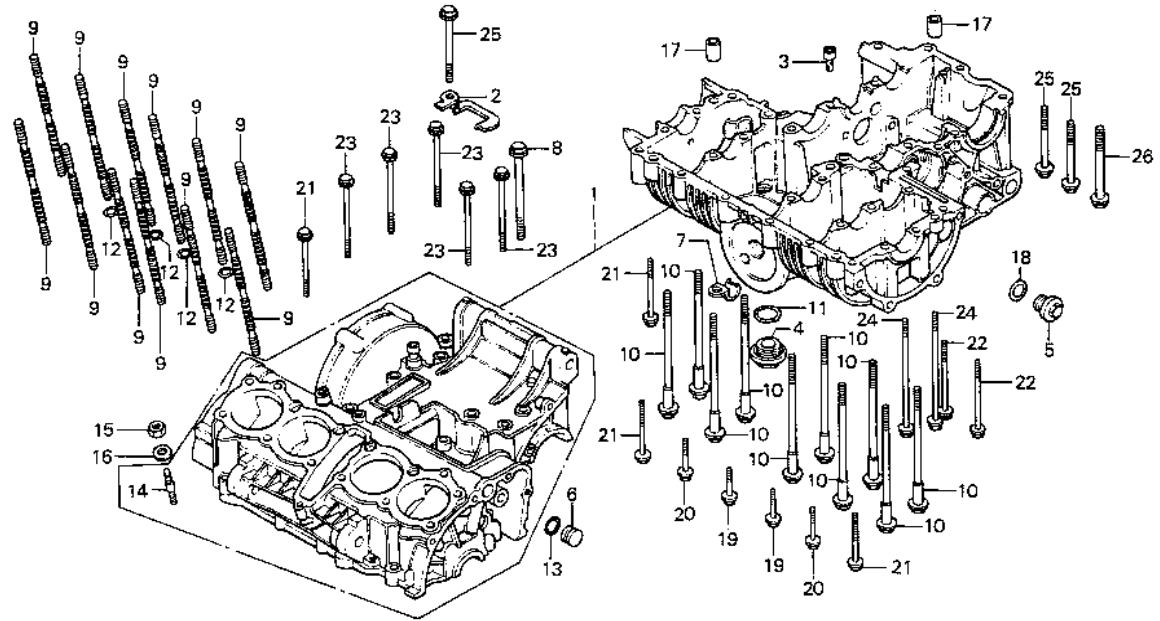
E-14

Crankcase

Carter moteur

Kurbe lgehäuse

Cârter de motor



B438-6

Service item	F.R.T.	Ref. No.	Part No.	Description	Reqd. No. CB900 FZ FA	Serial No.	Area code
		17	94301-10160	PIN A, DDWFL, 10X16	2 2		
		18	94608-40000	O-RING, 19.4X2.8	1 1		
		19	95700-06035-00	BOLT, FLANGE, 6X35	2 2		
		20	95700-06040-00	BOLT, FLANGE, 6X40	2 2		
		21	95700-06050-00	BOLT, FLANGE, 6X50	4 4		
		22	95700-06070-00	BOLT, FLANGE, 6X70	2 2		
		23	95700-06080-00	BOLT, FLANGE, 6X80	5 5		
		24	95700-06110-00	BOLT, FLANGE, 6X110	2 2		
		25	95700-08060-00	BOLT, FLANGE, 8X60	3 3		
		26	95723-10065-00	BOLT, FLANGE, 10X65	1 1		

D 13

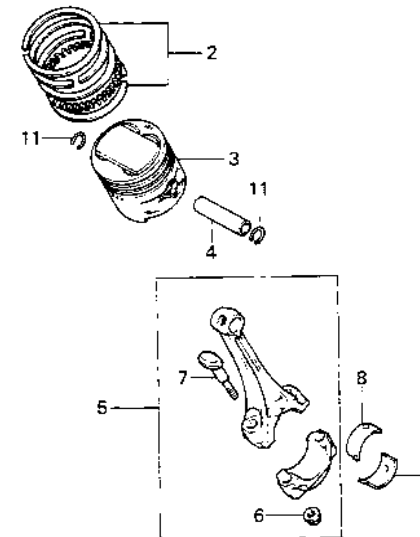
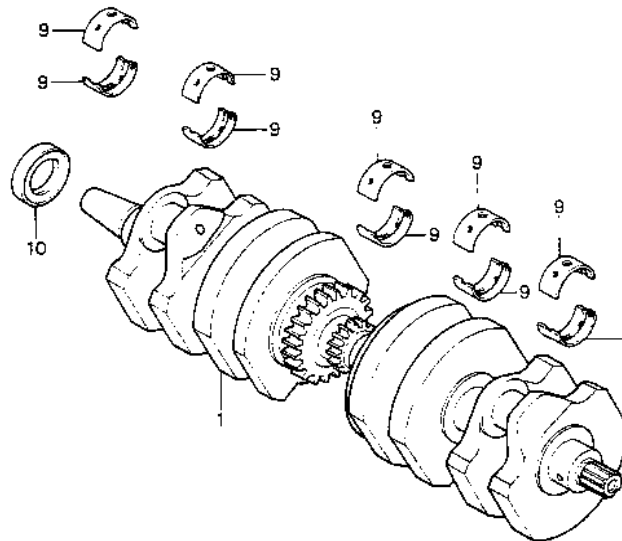
E-15

Crankshaft • Piston

Vilebrequin • Piston

Kurbelwelle • Kolben

Cigüeñal • Pistón



B438-7

Service item	F.R.T.	Ref. No.	Part No.	Description	Reqd. No. CB900 Fz FA	Serial No.	Area code
CRANKSHAFT COMP.	*8.3	1	13000-438-000	CRANKSHAFT COMP.	1 1		
PISTON {ADD 0.2 FOR EACH.}	*5.2	2	13011-438-004	RING SET, PISTON (STD.)	4 4		
PIN, PISTON	*5.1		13021-438-004	RING SET, PISTON (0.25)	(4)(4)		
ROD COMP. CONNECTING INC. RELATIVE PART {ADD 0.2 FOR EACH.}	*7.5		13031-438-004	RING SET, PISTON (0.50)	(4)(4)		
BEARING CRANKSHAFT {ONE OR ALL}	*7.7		13041-438-004	RING SET, PISTON (0.75)	(4)(4)		
			13051-438-004	RING SET, PISTON (1.00)	(4)(4)		
		3	13101-438-000	PISTON (STD.)	4 4		
			13102-438-000	PISTON (0.25)	(4)(4)		
			13103-438-000	PISTON (0.50)	(4)(4)		
			13104-438-000	PISTON (0.75)	(4)(4)		
			13105-438-000	PISTON (1.00)	(4)(4)		
		4	13111-438-000	PIN, PISTON	4 4		
		5	13201-438-000	ROD COMP. A, CONNECTING	4 4		
			13202-438-000	ROD COMP. B, CONNECTING	4 4		
			13203-438-000	ROD COMP. C, CONNECTING	4 4		
			13204-438-000	ROD COMP. D, CONNECTING	4 4		

Connecting rod bearing selection

		(Oil clearance 20~45µm)		
Connecting rod I.D. 39#	Crank pin O.D.	1	2	3
	39#	0	-0.008	-0.016
	+0.008	Yellow	Green	Brown
	+0.016	Green	Brown	Black
	+0.024	Brown	Black	Blue

D 14

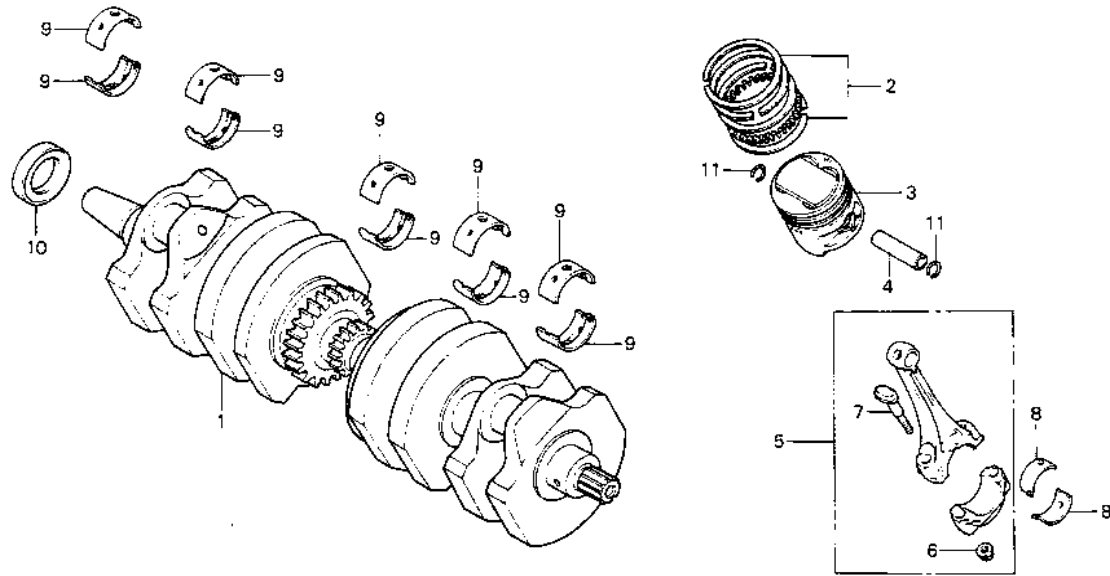
E-15

Crankshaft · Piston

Vilebrequin · Piston

Kurbelwelle · Kolben

Cigüeñal · Pistón



B438-7

Service item	F.R.T.	Ref. No.	Part No.	Description	Reqd. No. CB900 Fz FA	Serial No.	Area code
		6	13205-634-010	NUT, CONNECTING ROD	8 8		
		7	13213-422-004	BOLT, CONNECTING ROD	8 8		
		8	13214-413-004	BEARING A, CONNECTING ROD (BLUE)(TAIHO)	8 8		
			13215-413-004	BEARING B, CONNECTING ROD (BLACK)(TAIHO)	8 8		
			13216-413-004	BEARING C, CONNECTING ROD (BROWN)(TAIHO)	8 8		
			13217-413-004	BEARING D, CONNECTING ROD (GREEN)(TAIHO)	8 8		
			13218-413-004	BEARING E, CONNECTING ROD (YELLOW)(TAIHO)	8 8		
		9	13315-425-003	BEARING A, CRANKSHAFT (BLACK) (DAICO)	10 10		
			13316-425-003	BEARING B, CRANKSHAFT (BROWN) (DAICO)	10 10		
			13317-425-003	BEARING C, CRANKSHAFT (GREEN) (DAICO)	10 10		
			13318-425-003	BEARING D, CRANKSHAFT (YELLOW) (DAICO)	10 10		

Crankshaft O.D. 36φ		Crankcase I.D. 39φ		
		A	B	C
A	0	Yellow	Green	Brown
	+0.008	Yellow	Green	Brown
B	+0.008	Green	Brown	Black
	+0.016	Green	Brown	Black
C	+0.016	Brown	Black	Blue
	+0.024	Brown	Black	Blue

D 15

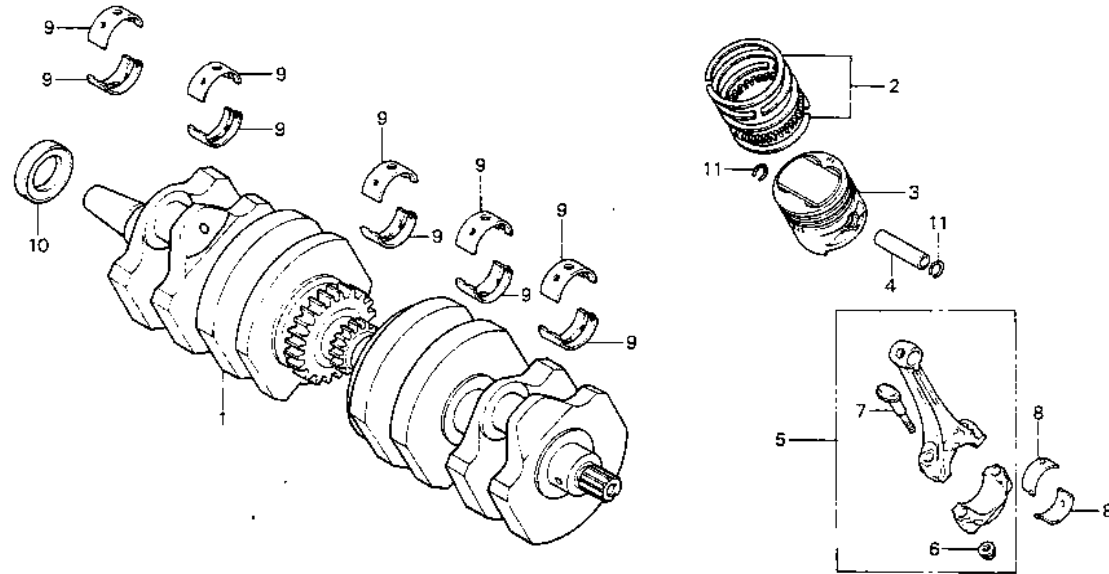
E-15

Crankshaft • Piston

Vilebrequin • Piston

Kurbelwelle • Kolben

Cigüeñal • Pistón



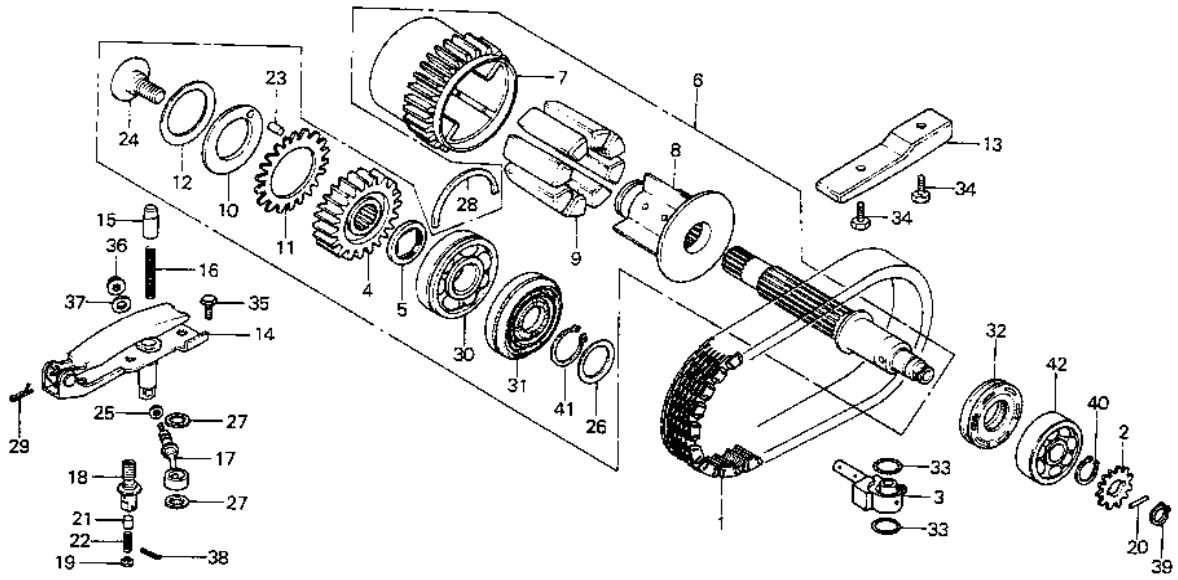
B438-7

Service item	F.R.T.	Ref. No.	Part No.	Description	Reqd. No. CB900 Fz FA	Serial No.	Area code
			13319-425-003	BEARING E, CRANKSHAFT (BLUE) (DAICO)	10 10		
		10	91201-425-003	OIL SEAL, 25X42X8	1 1		
		11	94601-15000	CLIP, PISTON PIN, 15MM	8 8		

D 16

E-16

Primary shaft
 Arbre primaire
 Primäre welle
 Eje primario



B438-8

Service item	F.R.T.	Ref. No.	Part No.	Description	Reqd. No.		Serial No.	Area code
					C8900	Fz FA		
CHAIN, PRIMARY	*7.2	1	13610-438-004	CHAIN, PRIMARY	1	1		
GEAR, OIL PUMP DRIVE	*4.9	2	15211-425-000	GEAR, OIL PUMP DRIVE (17T)	1	1		
SHAFT COMP., PRIMARY		3	15710-438-000	NOZZLE, CHAIN OIL FEED	1	1		
BASE COMP., PRIMARY CHAIN TENSIONER		4	23103-425-300	GEAR, PRIMARY DRIVE (24T)	1	1		
		5	23105-425-003	COLLAR, PRIMARY DRIVE GEAR	1	1		
OIL SEAL, 25X47X10								
NOZZLE, CHAIN OIL FEED	*4.8	6	23110-438-000	SHAFT COMP., PRIMARY	1	1		
BAR ASSY., TENSIONER PUSH		7	23112-425-300	SPROCKET, PRIMARY (28T)	1	1		
GEAR, PRIMARY DRIVE	1.2	8	23114-425-300	HUB, DRIVEN SPROCKET	1	1		
INC. RELATIVE PART		9	23115-425-300	RUBBER, DAMPER	8	8		
SPROCKET, PRIMARY	*5.2	10	23123-425-300	PLATE, SIDE	1	1		
HUB, DRIVEN SPROCKET								
RUBBER, DAMPER		11	23124-425-300	SUB GEAR, PRIMARY DRIVE (23T)	1	1		
(ONE OR ALL)		12	23125-425-005	SPRING, DISK	1	1		
		13	23132-393-000	GUIDE, PRIMARY CHAIN	1	1		

E 1

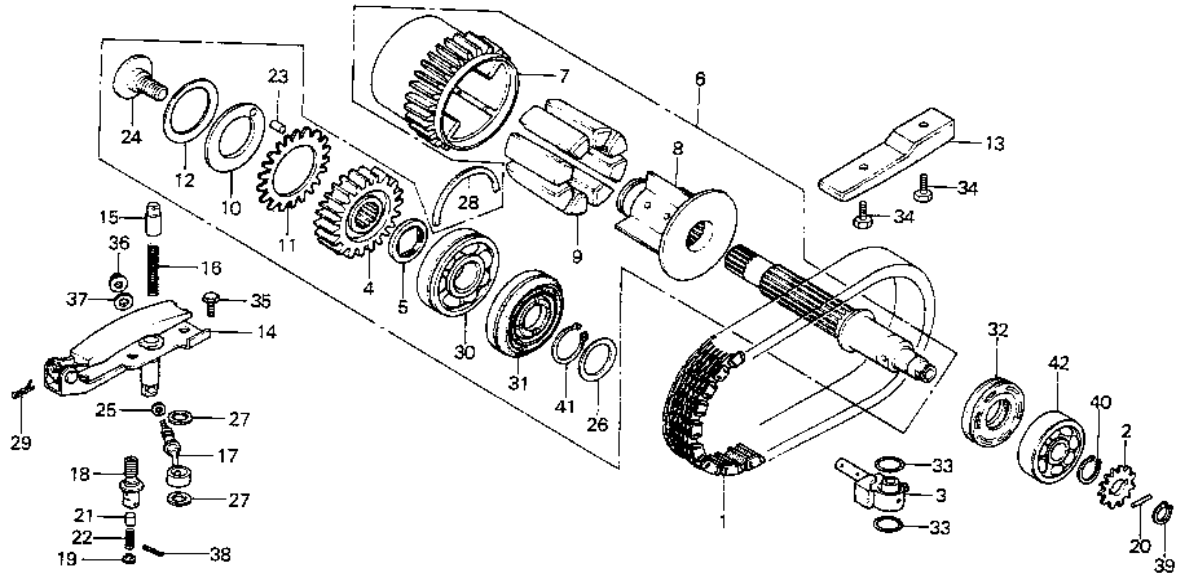
E-16

Primary shaft

Arbre primaire

Primäre welle

Eje primario



8438-8

Service item	F.R.T.	Ref. No.	Part No.	Description	Reqd. No. CB900 Fz Fa	Serial No.	Area code
PIPE COMP., PRIMARY CHAIN TENSIONER	0-9	14	23160-438-000	BASE COMP., PRIMARY CHAIN TENSIONER	1 1		
BODY COMP., TENSIONER VALVE	0-8	15	23167-422-010	BAK ASSY., TENSIONER PUSH	1 1		
		16	23168-425-000	SPRING, PRIMARY CHAIN TENSIONER	1 1		
		17	23175-425-000	PIPE COMP., PRIMARY CHAIN TENSIONER	1 1		
		18	23180-425-000	BODY COMP., TENSIONER VALVE	1 1		
		19	23182-425-000	WASHER, STOPPER	1 1		
		20	24444-300-000	ROLLER, 4X20.6	1 1		
		21	27611-393-000	VALVE, TORQUE CONVERTER FLUID CHECK	1 1		
		22	27621-393-000	SPRING, TORQUE CONVERTER FLUID VALVE	1 1		
		23	30905-216-000	PIN, CAMSHAFT, 3X5.2	1 1		
		24	90013-425-003	BOLT, PRIMARY SHAFT	1 1		
		25	90428-425-000	WASHER, 8.2MM	1 1		

E 2

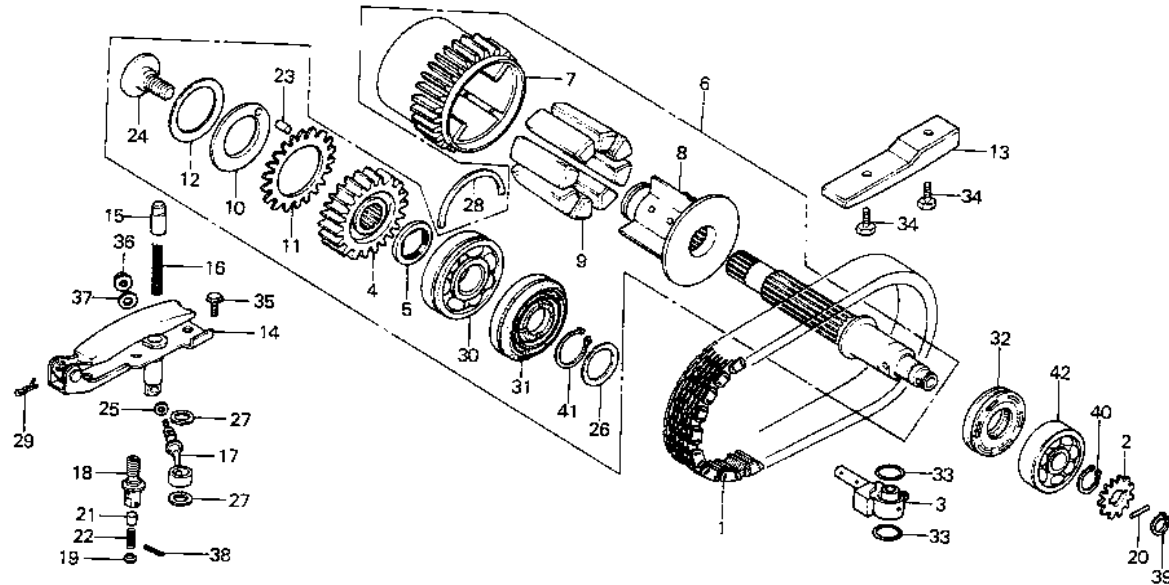
E-16

Primary shaft

Arbre primaire

Primäre welle

Eje primario



B438-8

Service item	F.R.T.	Ref. No.	Part No.	Description	QTY C8900 Fz Fa	Serial No.	Area code
		26	90475-425-000	WASHER, THKUST, 30MM	1 1		
		27	90483-700-000	WASHER, 14MM	2 2		
		28	90601-393-000	SET RING, 56MM	1 1		
		29	90731-425-000	PIN, LOCK, 10MM	1 1		
		30	91007-438-003	BEARING, RADIAL BALL, 63/22	1 1		
		31	91201-438-003	OIL SEAL, BEARING	1 1		
		32	91257-425-003	OIL SEAL, 25X47X10	1	2006860	
			91257-425-004	OIL SEAL, 25X47X10	1	2006860	
			91257-425-013	OIL SEAL, 25X47X10	1	2006861	
		33	91302-377-000	O-RING, 15X2.5	2 2		
		34	92000-06012	BOLT, HEX., 6X12	2 2		
		35	92000-06014	BOLT, HEX., 6X14	3 3		
		36	94050-06000	NUT, FLANGE, 6MM	1 1		
		37	94101-06000	WASHER, PLAIN, 6MM	1 1		

E 3

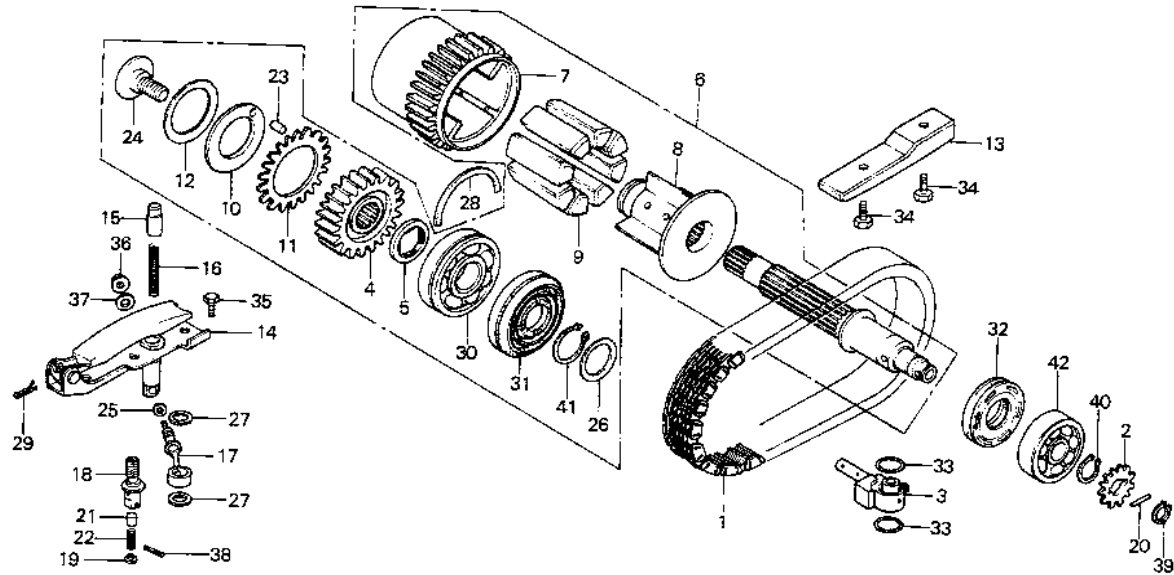
E-16

Primary shaft

Arbre primaire

Primäre welle

Eje primario



B438-8

Service item	F.R.T.	Ref. No.	Part No.	Description	Reqd. No.		Serial No.	Area code
					C8900	Fz Fa		
		38	94201-16220	PIN, SPLIT, 1.6X22	1	1		
		39	94510-17000	CIRCLIP, EXTERNAL, 17	1	1		
		40	94510-20000	CIRCLIP, EXTERNAL, 20	1	1		
		41	94510-30000	CIRCLIP, EXTERNAL, 30	1	1		
		42	96100-62040	BEARING, RADIAL BALL, 6204	1	1		

E 4

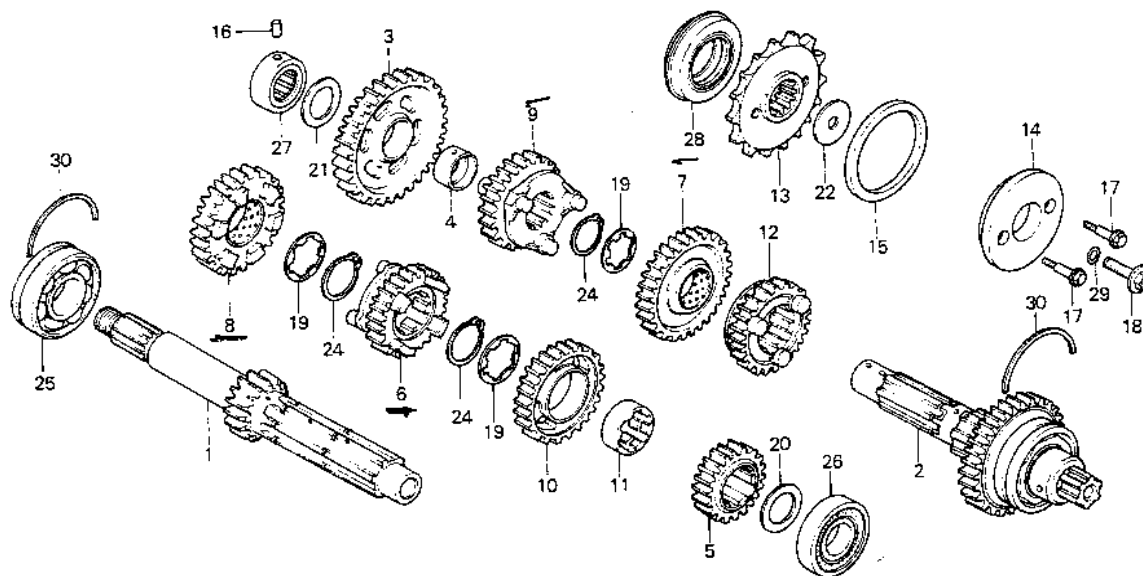
E-17

Transmission

Transmission

Getriebe

Transmisión



6438-9

Service item	F.R.T.	Ref. No.	Part No.	Description	Reqd. No. CB900 Fz FA	Serial No.	Area code	
MAINSHAFT, TRANSMISSION INC. RELATIVE PART COUNTERSHAFT COMP., TRANSMISSION INC. RELATIVE PART (WHEN SERVICING COMP., UNIT, F.R.T. IS 5.3.) SPROCKET, DRIVE	*5.1	1	23211-438-000	MAINSHAFT, TRANSMISSION (15T)	1			
		2	23220-438-000	COUNTERSHAFT COMP., TRANSMISSION (34T)	1			
	0.4	3	23411-438-000	GEAR, COUNTERSHAFT LOW (38T)	1			
		4	23422-425-000	BUSH, COUNTERSHAFT LOW GEAR	1			
		5	23431-438-000	GEAR, MAINSHAFT SECOND (19T)	1			
		6	23451-438-000	GEAR, MAINSHAFT THIRD (23T)	1			
			23451-438-010	GEAR, MAINSHAFT THIRD (23T)	1		2100071	E, ED, F, G DK, DM, SA, U
					1	2100072	E, ED, F, G	
		7	23461-438-000	GEAR, COUNTERSHAFT THIRD (32T)	1			
		9	23471-438-000	GEAR, MAINSHAFT FOURTH (25T)	1			
		23471-438-010	GEAR, MAINSHAFT FOURTH (25T)	1		2100071	E, ED, F, G DK, DM, SA, U	
				1	2100072	E, ED, F, G		



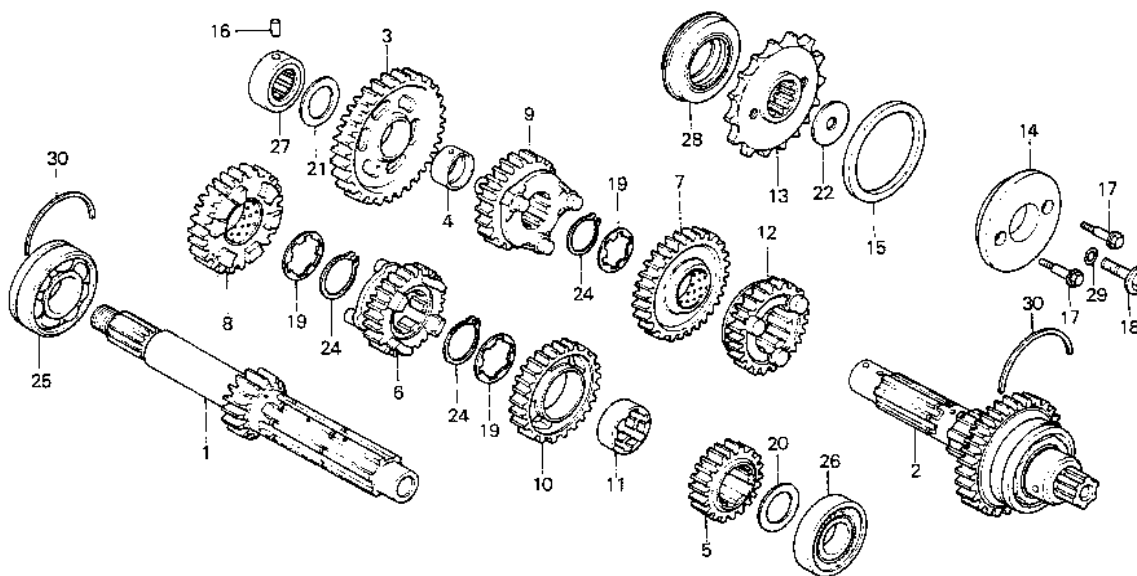
E-17

Transmission

Transmission

Getriebe

Transmisión



B438-9

Service item	F.R.T.	Ref. No.	Part No.	Description	Reqd. No. CB900 Fz FA	Serial No.	Area code
		9	23481-438-000	GEAR, COUNTERSHAFT FOURTH (29T)	1 1		
		10	23491-438-000	GEAR, MAINSHAFT FIFTH (27T)	1 1		
		11	23495-422-000	COLLAR, SPLINE, 28X17	1 1		
		12	23501-425-000	GEAR, COUNTERSHAFT FIFTH (27T)	1 1		
		13	23801-438-000	SPROCKET, DRIVE (17T)	1 1		
		14	23820-438-000	GUIDE, RING	1 1		
			23820-438-003	GUIDE, RING	1 1		
		15	23821-438-000	RING, DAMPER	1 1		
		16	24261-283-000	PIN, GEARSHIFT FORK GUIDE	1 1		
		17	90020-438-000	BOLT, FLANGE, 6X20	2 2		
		19	90037-422-000	BOLT, SPECIAL, 10MM	1 1		
		19	90451-422-000	WASHER, THRUST, 28MM	3 3		
		20	90453-704-000	WASHER, THRUST, 22MM	1	2004155	
			90453-426-000	WASHER, THRUST, 22.5MM	1	2004156	
					1		

E 6

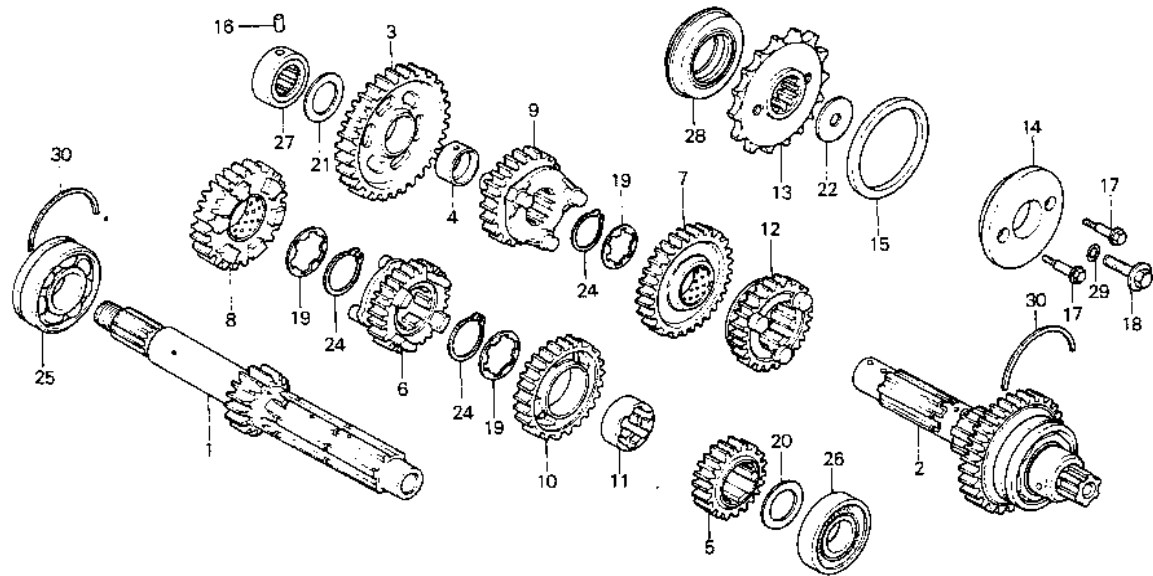
E-17

Transmission

Transmission

Getriebe

Transmisión



B43B-9

Service item	F.R.T.	Ref. No.	Part No.	Description	Reqd. No.		Serial No.	Area code
					CB900	Fz FA		
		21	90457-425-000	WASHER, THRUST, 22MM	1	1		
		22	90459-422-000	WASHER, 10.2MM	1	1	200B253	
			90459-438-000	WASHER, 10.2MM	1	1	200B254	
		24	90601-422-000	CIFCLIP, 2MM	3	3		
		25	91004-438-003	BEARING, RADIAL BALL, 6305	1	1		
		26	91005-425-003	BEARING, RADIAL BALL, 63/22U	1	1		
		27	91022-438-008	BEARING, NEEDLE, 22MM	1	1		
		28	91205-425-003	OIL SEAL, 40X62X13	1	1		
		29	91352-526-000	O-RING, 9.8X2.4	1	1		
		30	95015-26200	SET KING, 620	2	2		

E 7

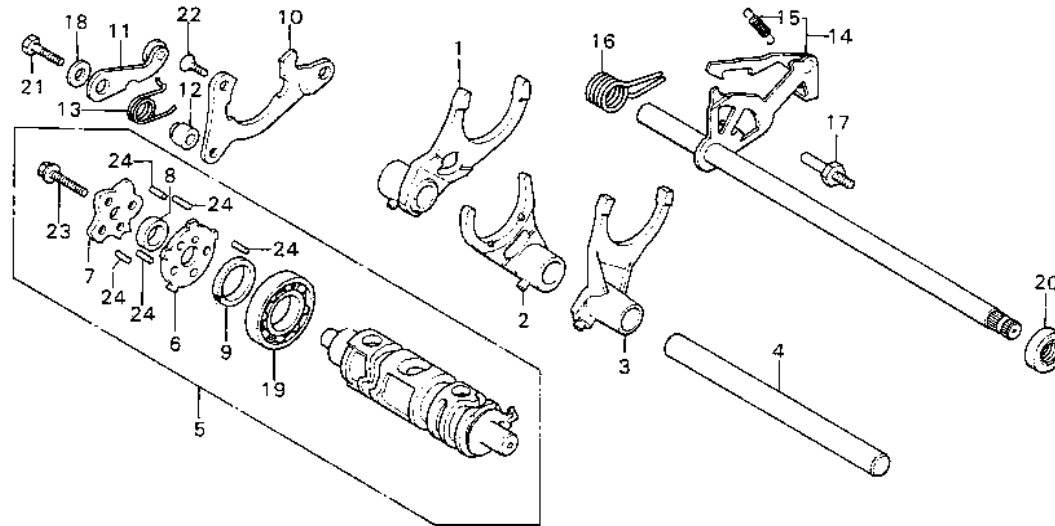
E-18

Gearshift drum

**Tambour de changement
de vitesse**

Gangschaltwalze

Tambor de cambio



8425-17

Service item	F.R.T.	Ref. No.	Part No.	Description	Reqd. No.		Serial No.	Area code
					C8900	Fz Fa		
FORK COMP., GEARSHIFT	*5.0	1	24211-425-000	FORK COMP., R. GEARSHIFT	1	1		
DRUM COMP., GEARSHIFT		2	24221-425-000	FORK COMP., CENTER GEARSHIFT	1	1		
PLATE, GEARSHIFT DRUM CENTER	0.9	3	24231-425-000	FORK, L. GEARSHIFT	1	1		
INC. RELATIVE PART		4	24261-425-000	SHAFT, GEARSHIFT FORK	1	1		
PLATE, GEARSHIFT DRUM SETTING		5	24300-425-000	DRUM COMP., GEARSHIFT	1		2012140	
SPINDLE COMP., GEARSHIFT	1.1		24300-425-010	DRUM COMP., GEARSHIFT	1		2012141	
INC. RELATIVE PART								
OIL SEAL, 12.5X25X8	1.2							
		6	24302-425-300	PLATE, GEARSHIFT DRUM CENTER	1		2012140	
			24302-425-310	PLATE, GEARSHIFT DRUM CENTER	1		2012141	
		7	24303-425-300	PLATE, GEARSHIFT DRUM CAM	1	1		
		8	24305-413-000	COLLAR, GEARSHIFT DRUM CENTER	1	1		



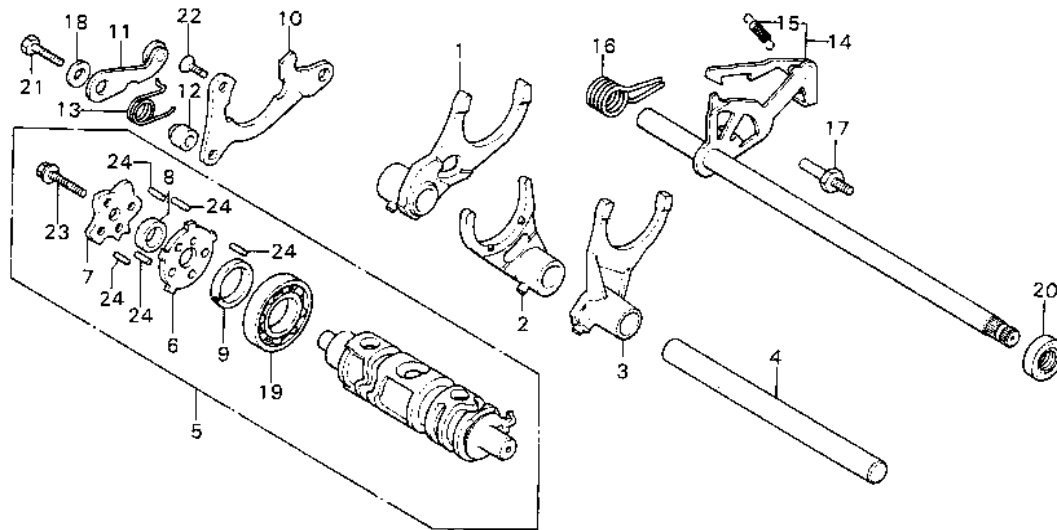
E-18

Gearshift drum

Tambour de changement
de vitesse

Gangschaltwalze

Tambor de cambio



B425-17

Service item	F.R.T.	Ref. No.	Part No.	Description	Reqd. No. CB900 Fz FA	Serial No.	Area code
		9	24306-425-300	COLLAR, GEARSHIFT DRUM CENTER	1 1		
		10	24307-425-000	PLATE, GEARSHIFT DRUM SETTING	1 1		
		11	24430-413-000	STOPPER COMP., GEARSHIFT DRUM	1 1		
		12	24432-413-000	COLLAR, GEARSHIFT DRUM STOPPER	1 1		
		13	24435-425-000	SPRING, SHIFT DRUM STOPPER	1 1		
		14	24610-425-000	SPINDLE COMP., GEARSHIFT	1 1		
		15	24641-425-000	SPRING, GEARSHIFT ARM	1 1		
		16	24651-425-000	SPRING, GEARSHIFT RETURN	1 1		
		17	24652-259-000	PIN, SHIFT RETURN SPRING	1	2015335	



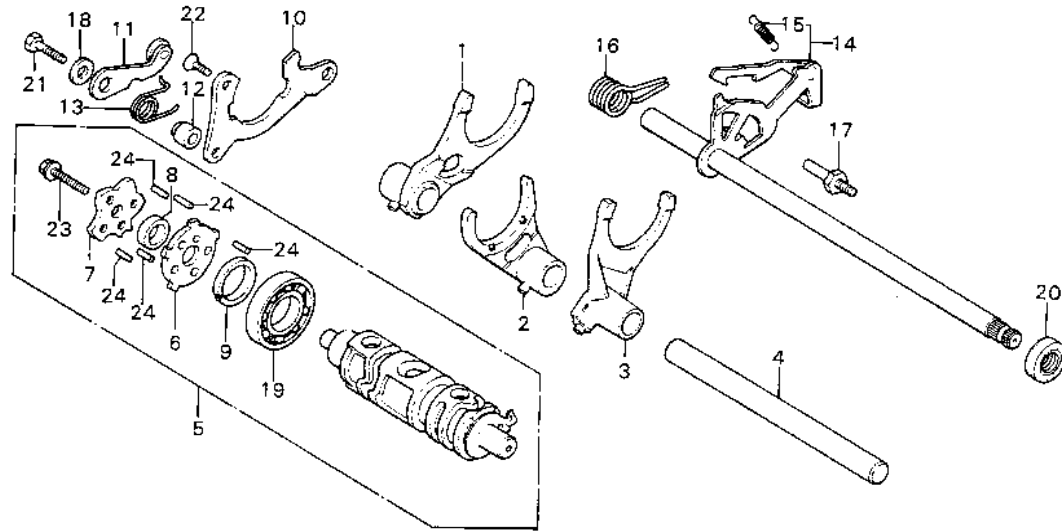
E-18

Gearshift drum

Tambour de changement de vitesse

Gangschaltwalze

Tambor de cambio



B425-17

Service item	F.R.T.	Ref. No.	Part No.	Description	Reqd. No.		Serial No.	Area code
					CB900	Fz FA		
			24652-028-000	PIN, SHIFT RETURN SPRING	1	1	2015336	
		18	90486-028-000	WASHER, SPARK ADVANCER SETTING	1	1		
		19	91008-374-003	BEARING, BALL, 16005 (TCYO)	1	1		
		20	91204-350-003	OIL SEAL, 12.5X25XE	1	1		
		21	92000-06028	BGLT, HEX., 6X28	1	1		
		22	93600-06014	SCREW, FLAT, 6X14	1	1		
		23	95725-06025-00	BOLT, FLANGE, 6X25	1	1		
		24	96220-40118	ROLLER, 4X11.8	5	5		

E 10

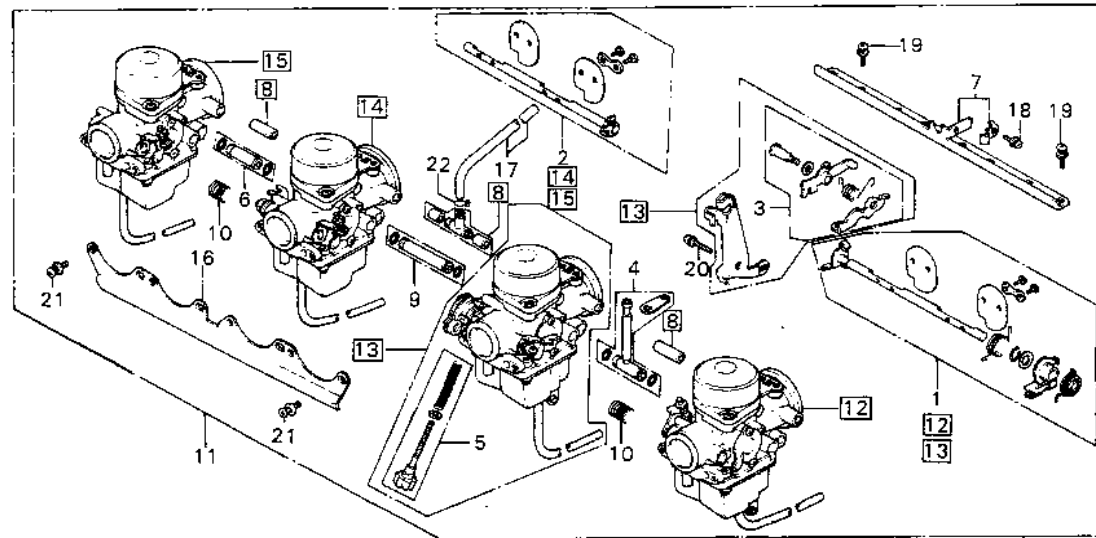
E-19

Carburetor
(Assy. • Link)

Carburetur
(Ens. • Tringlerie)

Vergaser
(Kompl. • Gestänge)

Carburador
(Ens. • Articulación)



B435-18

Service item	F.R.T.	Ref. No.	Part No.	Description	Reqd. No. CB900 Fz. FA	Serial No.	Area code
LINK SET CHOKE (ADD 0.2 FOR EACH.)	1.7	1	16017-438-305	LINK SET A, CHOKE	1	1	
		2	16018-425-405	LINK SET B, CHOKE	1	1	
JOINT SET FUEL (ADD 0.2 FOR EACH.)		3	16020-425-601	ARM SET, LINK	1	1	
		4	16627-425-671	JOINT SET A, FUEL	1	1	
CARBURETOR ASSY. 1 (ADD 0.4 FOR EACH.)		5	16028-425-671	SCREW SET R	1	1	
PLATE SET, RR. STAY	0.4	6	16033-425-671	JOINT SET C, FUEL	1	1	
JOINT SET E, FUEL	1.3	7	16035-425-671	PLATE SET, RR. STAY	1	1	
CARBURETOR ASSY.	0.9	8	16036-425-671	JOINT SET, THREE WAY	1	1	
		9	16037-425-671	JOINT SET E, FUEL	1	1	
		10	16051-413-004	SPRING, COMPRESSION COIL	2	2	
		11	16100-438-003	CARBURETOR ASSY.	1	1	
		12	16101-438-305	CARBURETOR ASSY. 1	1	1	
		13	16102-438-305	CARBURETOR ASSY. 2	1	1	
		14	16103-438-305	CARBURETOR ASSY. 3	1	1	
		15	16104-438-305	CARBURETOR ASSY. 4	1	1	
		16	16119-425-671	PLATE, STAY	1	1	

E 11

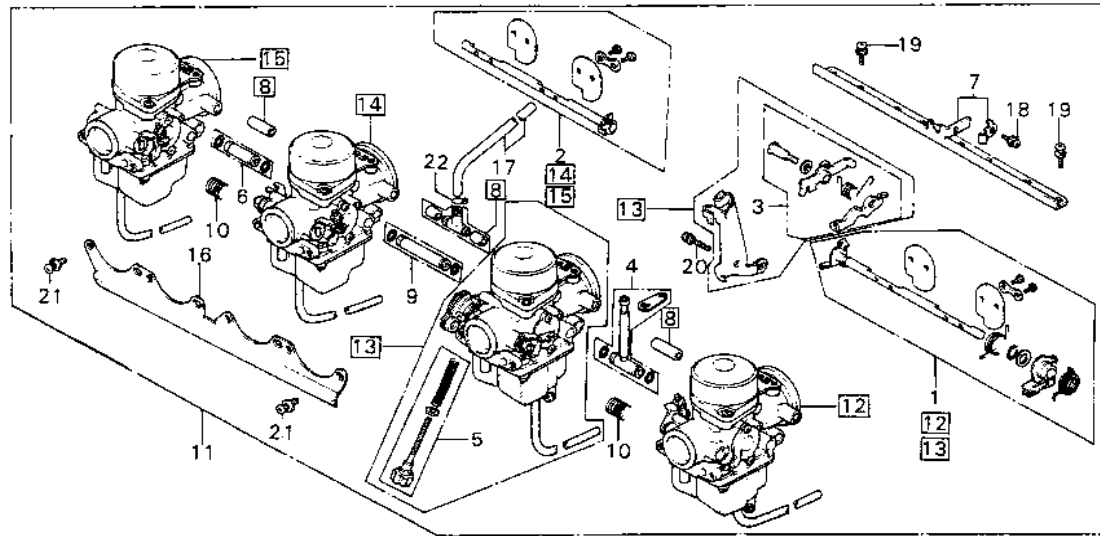
E-19

**Carburetor
(Assy. • Link)**

**Carbureteur
(Ens. • Tringlerie)**

**Vergaser
(Kompl. • Gestänge)**

**Carburador
(Ens. • Articulación)**



9435-18

Service item	F.R.T.	Ref. No.	Part No.	Description	Reqd. No.		Serial No.	Area code
					CB900	Fz FA		
		17	16199-425-671	TUBE, FUEL	1	1		
		18	93892-04012-08	SCREW-WASHER, 4X12	1	1		
		19	93892-05012-00	SCREW-WASHER, 5X12	8	8		
		20	93892-05016-00	SCREW-WASHER, 5X16	1	1		
		21	93892-06014-00	SCREW-WASHER, 6X14	8	8		
		22	95002-02080	CLIP 88, TUBE	1	1		

E 12

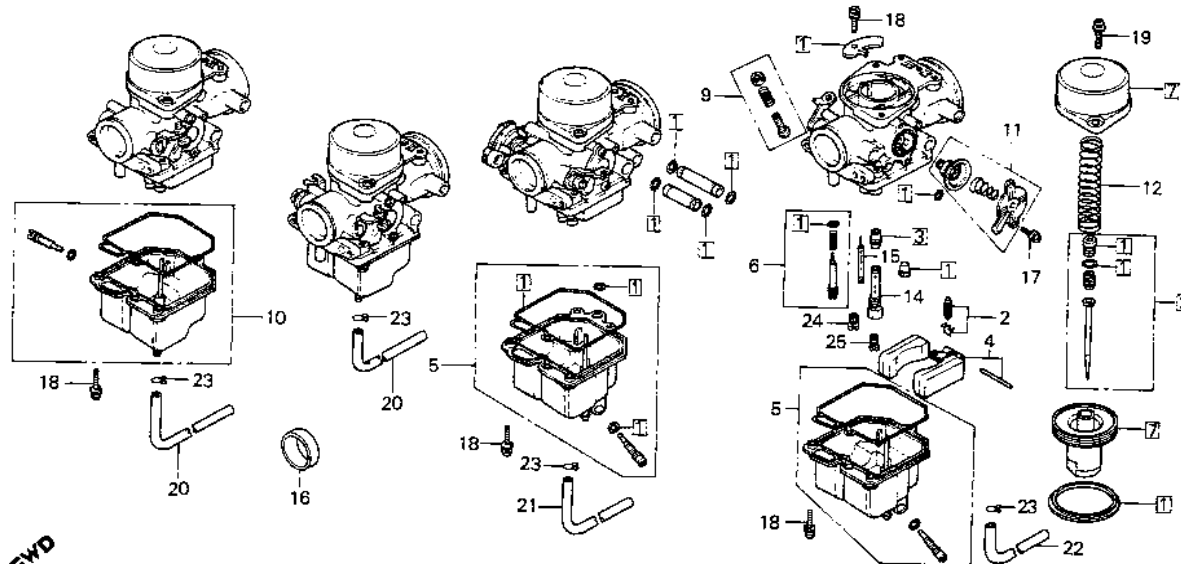
E-19-1

**Carburetor
(Component parts)**

**Carbureteur
(Pièces composantes)**

**Vergaser
(Einzelteil)**

**Carburador
(Piezas componentes)**



B425-19

Service item	F.R.T.	Ref. No.	Part No.	Description	Reqd. No. CB900 Fz FA	Serial No.	Area code
PACKING SET (ADD 0.4 FOR EACH.)	2.1	1	16010-425-601	PACKING SET	4 4		
VALVE SET, FLOAT (ADD 0.2 FOR EACH.)	1.0	2	16011-382-004	VALVE SET, FLOAT	4 4		
FLOAT SET (ADD 0.2 FOR EACH.)		3	16012-438-003	NEEDLE SET, JET	4 4		
HOLDER, NEEDLE JET (ADD 0.2 FOR EACH.)		4	16013-679-005	FLOAT SET	4 4		
JET, MAIN		5	16015-413-004	CHAMBER SET, FLGAT	2 2		
NEEDLE SET, JET (ADD 0.2 FOR EACH.)	1.1	6	16016-410-601	SCREW SET A	4 4		
CHAMBER SET, FLOAT (R. SIDE 0.2.)	0.3	7	16022-413-014	PISTON SET, VACUUM	4 4		
PISTON SET, VACUUM	0.2	9	16029-413-004	SCREW SET C	3 3		
VALVE SET, AIR CUT	0.1	10	16045-425-671	CHAMBER SET C, FLOAT	2 2		
		11	16048-425-671	VALVE SET, AIR CUT	1 1		
		12	16050-443-701	SPRING, VACUUM PISTON	4 4		
		14	16165-438-003	HCLDER, NEEDLE JET	4 4		
		15	16166-438-003	NOZZLE, MAIN	4 4		
		16	16291-300-300	BAND, RUBBER	1 1		
		17	93892-04012-08	SCREW-WASHER, 4X12	8 8		

E 13

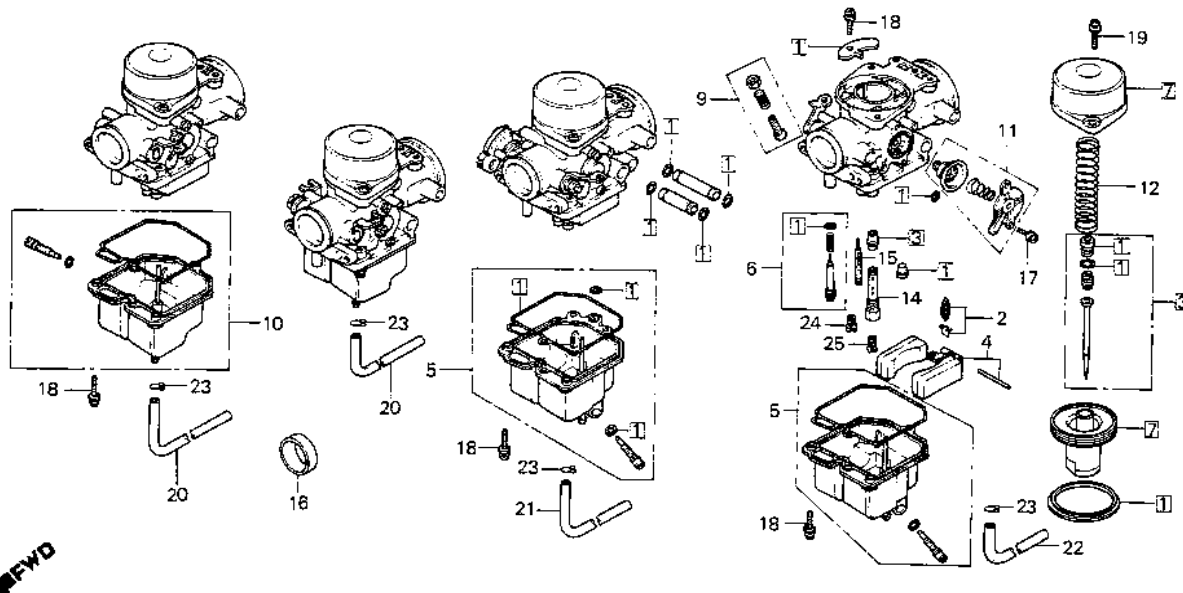
E-19-1

Carburetor
(Component parts)

Carburetur
(Pièces composantes)

Vergaser
(Einzelteil)

Carburador
(Piezas componentes)



B425-19

Service item	F.R.T.	Ref. No.	Part No.	Description	Reqd. No.		Serial No.	Area code
					CB900	Fz FA		
		18	93892-04016-00	SCREW-WASHER, 4X16	16	16		
		19	93892-05016-00	SCREW-WASHER, 5X16	8	8		
		20	95001-35480-40	TUBE, FUEL, 3.5X480	2	2		
		21	95001-35550-40	TUBE, FUEL, 3.5X550	1	1		
		22	95001-35610-40	TUBE, FUEL, 3.5X610	1	1		
		23	95002-02070	CLIP B7, TUBE	4	4		
		24	99101-393-0680	JET, PRIMARY MAIN, #68	4	4		
		25	99102-393-0980	JET, SECONDARY MAIN, #98	4	4		

F 2

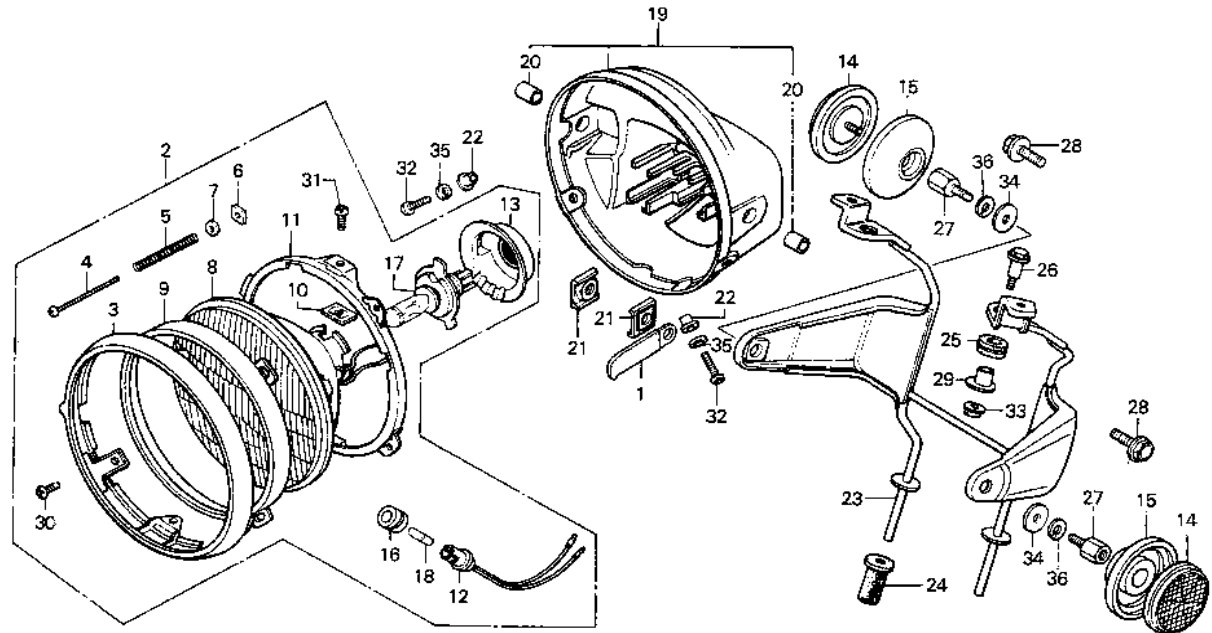
F-1

**Headlight
(E,ED,F,G)**

**Phare
(E,ED,F,G)**

**Scheinwerfer
(E,ED,F,G)**

**Faro delantero
(E,ED,F,G)**



B438-10

Service item	F.R.T.	Ref. No.	Part No.	Description	Reqd. No. CB900 Fz FA	Serial No.	Area code
HEADLIGHT ASSY. BASE, FR. REFLECTOR (ONE OR ALL)	0.1	1	32173-369-000	CLIP C, WIRE HARNESS	1 1		E,ED,F,G
M4 BUL8(12342/99) MFD. BY PHILIPS	0.2	2	33100-422-601	HEADLIGHT ASSY. (12V 60/55W)	1 1		E
			33100-422-611	HEADLIGHT ASSY. (12V 60/55W)	1 1		ED,G
			33100-422-621	HEADLIGHT ASSY. (12V 60/55W)	1 1		F
		3	33101-422-671	RIM, HEADLIGHT	1 1		E,ED,F,G
HEADLIGHT UNIT INC. RELATIVE PART CASE, HEADLIGHT STAY, HEADLIGHT CASE	0.2 0.4 0.6	4	33103-346-670	SCREW, BEAM ADJUSTING	1 1		E,ED,F,G
		5	33107-300-003	SPRING, HEADLIGHT BEAM ADJUSTING	1 1		E,ED,F,G
		6	33117-001-023	NUT, HEADLIGHT BEAM ADJUSTING	1 1		E,ED,F,G
		7	33119-371-C03	WASHER, BEAM ADJUSTING	1 1		E,ED,F,G
		8	33120-371-601	HEADLIGHT UNIT	1 1		E
			33120-371-611	HEADLIGHT UNIT	1 1		ED,F,G
		9	33121-405-671	RING, RETAINING	1 1		E,ED,F,G
		10	33128-292-670	NUT, UNIT HOLDER	2 2		E,ED,F,G

F 3

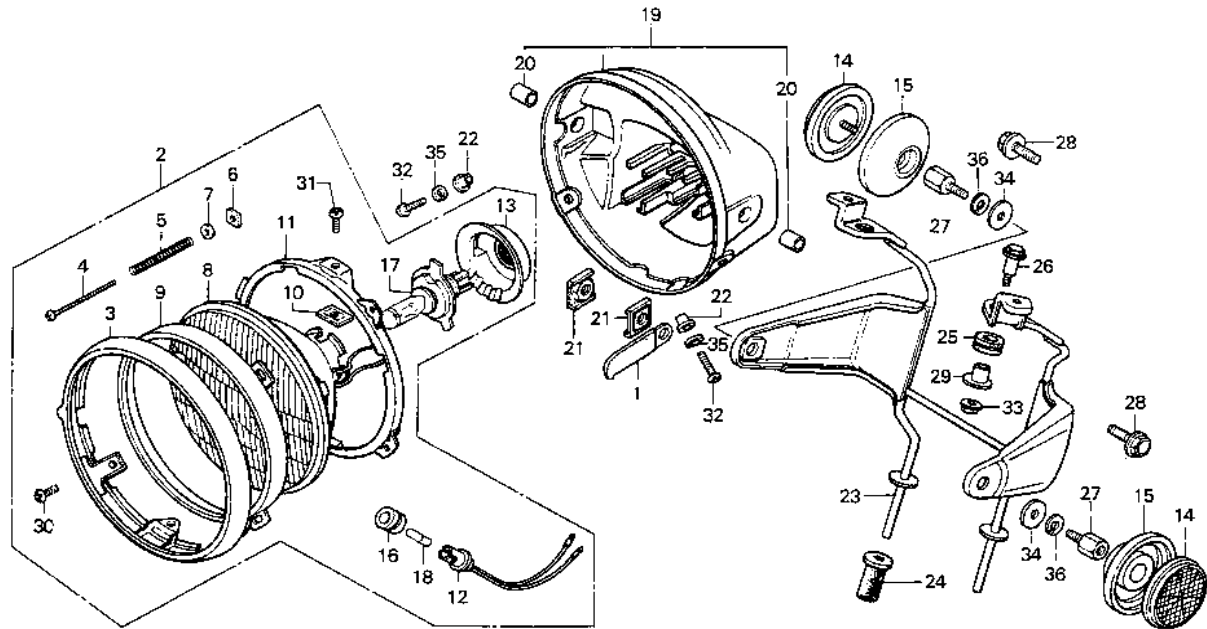
F-1

Headlight
(E,ED,F,G)

Phare
(E,ED,F,G)

Scheinwerfer
(E,ED,F,G)

Faro delantero
(E,ED,F,G)



B438-10

Service item	F.R.T.	Ref. No.	Part No.	Description	Reqd. No.		Serial No.	Area code
					CB900	Fz FA		
		11	33153-422-003	RING, MOUNTING	1	1		E,ED,F,G
		12	3317C-390-611	SOCKET COMP., MARKER LIGHT	1	1		E,ED,F,G
		13	33180-422-003	COVER, RUBBER	1	1		E,ED,F,G
		14	33741-413-003	REFLECTOR, FR. REFLEX (STANLEY)	2	2		E,ED,G
		15	33743-425-600	BASE, FR. REFLECTOR	2	2		E,ED,G
		16	33905-371-601	RUBBER, JOINT	1	1		E,ED,F,G
		17	34901-371-601	H4 BULB(12342/99) MFD. BY PHI- LIPS (LOCAL PROCUREMENT PART)	1	1		E,ED,G
			34901-371-621	H4 BULB(12342/99) MFD. BY PHI- LIPS (LOCAL PROCUREMENT PART)	1	1		F
		18	34903-388-611	BULB, POSITION (12V 4W) (LOCAL PROCUREMENT PART)	1	1		E,ED,F,G
		19	61301-425-000	CASE, HEADLIGHT	1	1		E,ED,F,G
		20	61302-425-000	CELLAP, HEADLIGHT CASE	2	2		E,ED,F,G
		21	61303-425-010	NUT, HEADLIGHT CASE	2	2		E,ED,F,G
		22	61304-292-000	COLLAR, HEADLIGHT SETTING	2	2		E,ED,F,G
		23	61311-438-000	STAY, HEADLIGHT CASE	1	1		E,ED,F,G

F 4

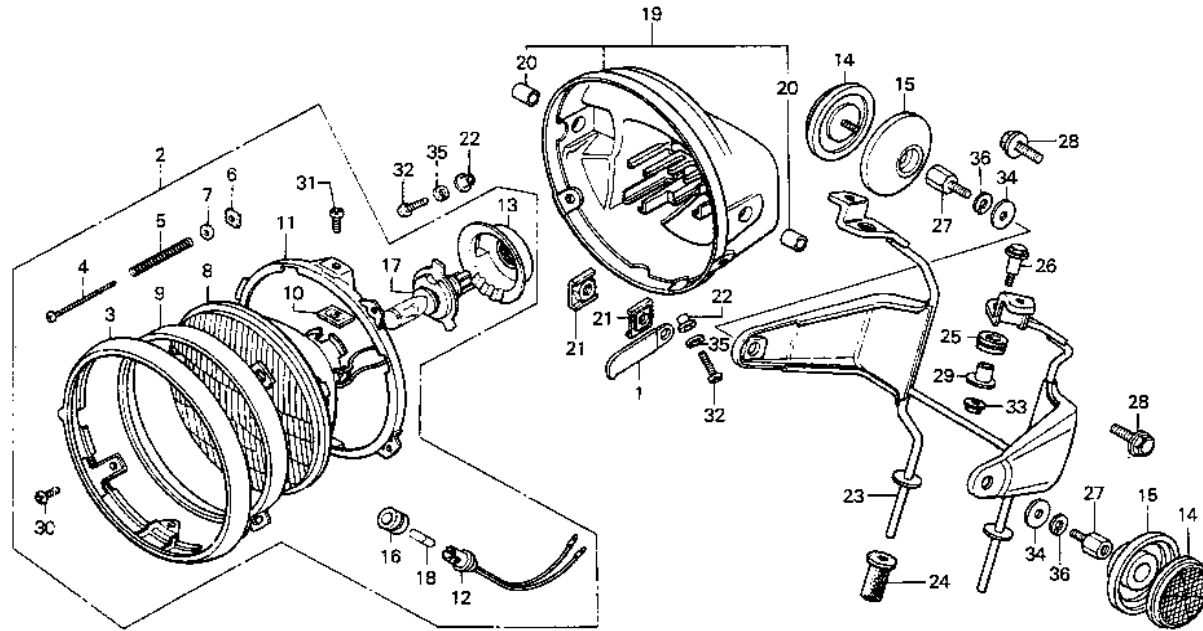
F-1

Headlight
(E,ED,F,G)

Phare
(E,ED,F,G)

Scheinwerfer
(E,ED,F,G)

Faro delantero
(E,ED,F,G)



8428-10

Service item	F.R.T.	Ref. No.	Part No.	Description	Reqd. No. CB900 Fz FA	Serial No.	Area code
		24	61313-438-000	GROMMET 6, HEADLIGHT	2 2		E,ED,F,G
		25	61316-438-000	RUBBER, HEADLIGHT STAY	2 2		E,ED,F,G
				MOUNTING			
		26	90002-438-000	BOLT, FLANGE, 6X38	2 2		E,ED,F,G
		27	90120-425-000	BOLT, HEADLIGHT STAY	2 2		E,ED,G
		28	90151-422-000	BOLT, HEADLIGHT CASE SETTING	2 2		F
		29	90501-438-000	COLLAR, 6X14.8	2 2		E,ED,F,G
		30	93500-03008-1A	SCREW, PAN, 3X3	2 2		E,ED,F,G
		31	93500-05008-0H	SCREW, PAN, 5X8	2 2		E,ED,F,G
		32	93500-05016-08	SCREW, PAN, 5X16	2 2		E,ED,F,G
		33	94050-06060	NUT, FLANGE, 6MM	2 2		E,ED,F,G
		34	94101-10000	WASHER, PLAIN, 10MM	2 2		E,ED,F,G
		35	94111-05000	WASHER, SPRING, 5MM	2 2		E,ED,F,G
		36	94111-10000	WASHER, SPRING, 10MM	2 2		E,ED,F,G

F 5

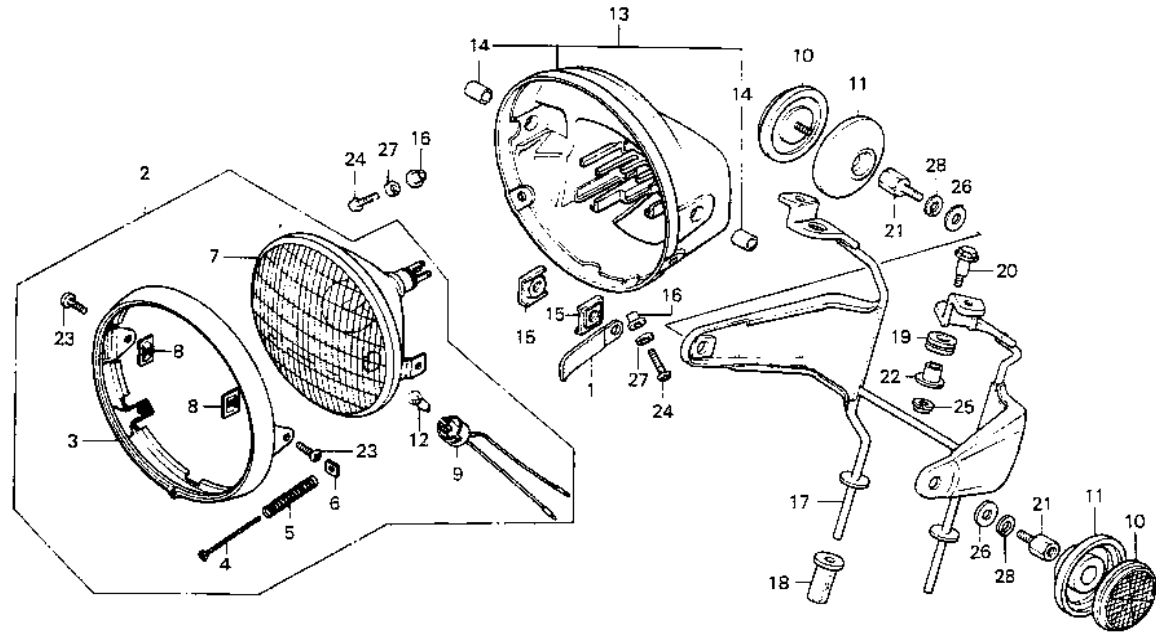
F-1-1

Headlight
(DK,DM,SA,U)

Phare
(DK,DM,SA,U)

Scheinwerfer
(DK,DM,SA,U)

Faro delantero
(DK,DM,SA,U)



B438-11

Service item	F.R.T.	Ref. No.	Part No.	Description	Reqd. No. CB900 Fz Fa	Serial No.	Area code
HEADLIGHT ASSY.	0.1	1	32173-369-000	CLIP C, WIRE HARNESS	1 1		DK,DM,SA,U
BASE, FR. REFLECTOR (ONE OR ALL)		2	33100-422-681	HEADLIGHT ASSY. (12V 50/40W)	1 1		DK,DM,SA,U
HEADLIGHT UNIT	0.2	3	33101-422-003	RIM, HEADLIGHT	1 1		DK,DM,SA,U
INC. RELATIVE PART		4	33103-346-670	SCREW, BEAM ADJUSTING	1 1		DK,DM,SA,U
CASE, HEADLIGHT	0.4	5	33107-300-003	SPRING, HEADLIGHT BEAM ADJUSTING	1 1		DK,DM,SA,U
STAY, HEADLIGHT CASE	0.6	6	33117-001-023	NUT, HEADLIGHT BEAM ADJUSTING	1 1		DK,DM,SA,U
		7	33120-375-003	HEADLIGHT UNIT	1 1		DK,DM,SA,U
		8	33128-292-670	NUT, UNIT HOLDER	2 2		DK,DM,SA,U
		9	33170-323-003	SOCKET COMP., MARKER LIGHT	1 1		DK,DM,SA,U
		10	33741-413-003	REFLECTOR, FR. REFLEX (STANLEY)	2 2		DK,DM,SA,U
		11	33743-425-600	BASE, FR. REFLECTOR	2 2		DK,DM,SA,U
		12	34903-071-003	BULB, MARKER LIGHT (12V 3.4W) (STANLEY)	1 1		DK,DM,SA,U
		13	61301-425-000	CASE, HEADLIGHT	1 1		DK,DM,SA,U



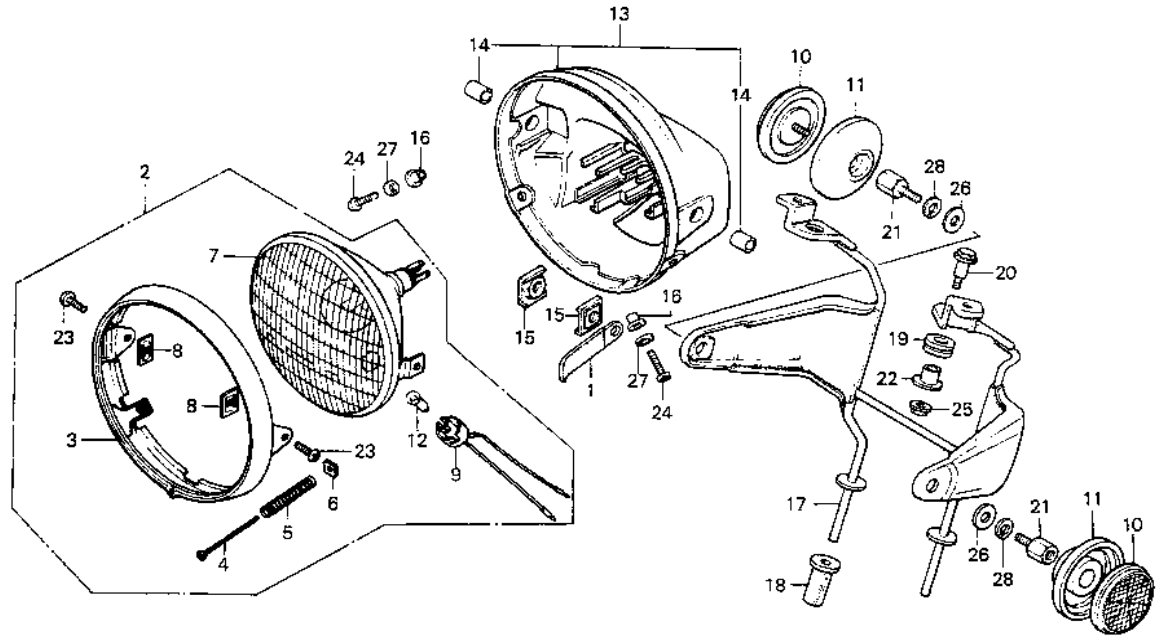
F-1-1

**Headlight
(DK,DM,SA,U)**

**Phare
(DK,DM,SA,U)**

**Scheinwerfer
(DK,DM,SA,U)**

**Faro delantero
(DK,DM,SA,U)**



8438-11

Service item	F.R.T.	Ref. No.	Part No.	Description	Reqd. No. CB900 Fz Fa	Serial No.	Area code
		14	61302-425-000	COLLAR, HEADLIGHT CASE	2 2		DK,DM,SA,U
		15	61303-425-010	NUT, HEADLIGHT CASE	2 2		DK,DM,SA,U
		16	61304-292-000	COLLAR, HEADLIGHT SETTING	2 2		DK,DM,SA,U
		17	61311-438-000	STAY, HEADLIGHT CASE	1 1		DK,DM,SA,U
		18	61313-438-000	GROMMET B, HEADLIGHT	2 2		DK,DM,SA,U
		19	61316-438-000	RUBBER, HEADLIGHT STAY	2 2		DK,DM,SA,U
		20	90002-438-000	BOLT, FLANGE, 6X38	2 2		DK,DM,SA,U
		21	90120-425-000	BOLT, HEADLIGHT STAY	2 2		DK,DM,SA,U
		22	90501-438-000	COLLAR, 6X14.8	2 2		DK,DM,SA,U
		23	93500-05008-0H	SCREW, PAN, 5X8	2 2		DK,DM,SA,U
		24	93500-05016-0B	SCREW, PAN, 5X16	2 2		DK,DM,SA,U
		25	94050-06000	NUT, FLANGE, 6MM	2 2		DK,DM,SA,U
		26	94101-10000	WASHER, PLAIN, 10MM	2 2		DK,DM,SA,U
		27	94111-05000	WASHER, SPRING, 5MM	2 2		DK,DM,SA,U
		28	94111-10000	WASHER, SPRING, 10MM	2 2		DK,DM,SA,U

F 7

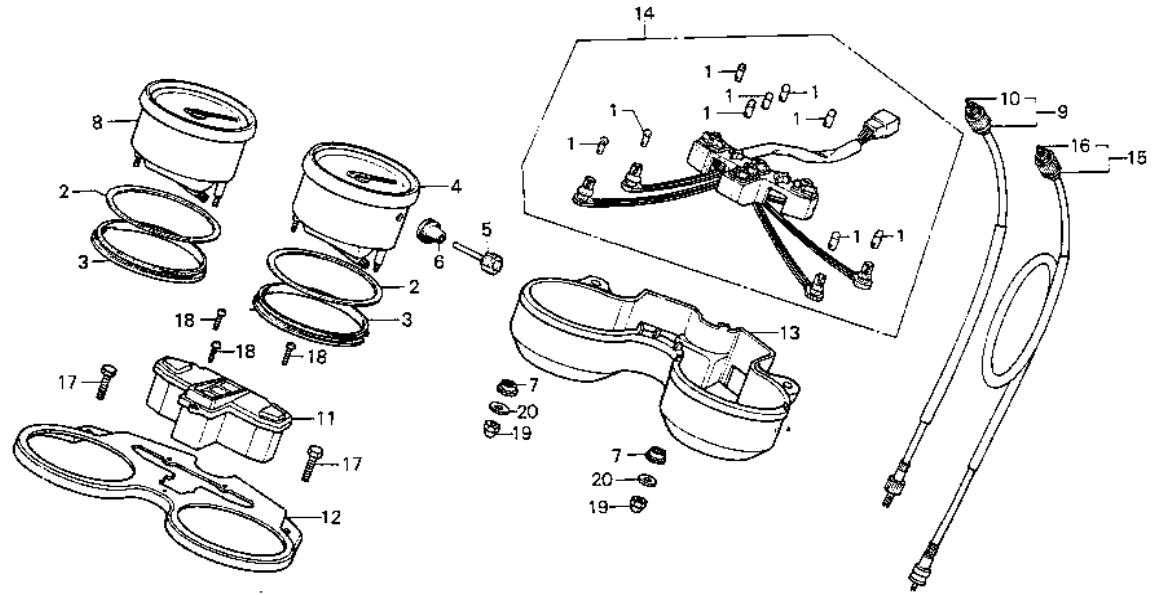
F-2

Meter

Compteurs

Messer

Medidor



B438-12

Service item	F.R.T.	Ref. No.	Part No.	Description	Reqd. No.		Serial No.	Area code
					CB900	Fz FA		
BULB, DASH (ONE OR ALL)	0.1	1	34902-259-000	BULB, DASH (12V3-4W)	9	9		
CABLE ASSY., TACHOMETER		2	37114-422-008	RING, METER	2	2		
BOX COMP., PILOT		3	37115-422-008	CUSHION, METER	2	2		
CABLE ASSY., SPEEDOMETER		4	37200-422-611	SPEEDOMETER ASSY. (KPH)	1	1		OK, ED, F, G, SA, U
SPEEDOMETER ASSY.	0.4	5	37200-422-671	SPEEDOMETER ASSY. (MPH)	1	1		DM, E
PLATE, METER SETTING		6	37221-438-008	KNOB, TRIP METER	1	1		
COVER, METER LOWER		7	37244-422-000	GROMMET, TRIP KNOB	1	1		
TACHOMETER ASSY.	0.3	8	37250-422-008	RUBBER, METER MOUNTING	4	4		
		9	37250-422-601	TACHOMETER ASSY.	1	1		DK, DM, U
		10	37250-422-761	TACHOMETER ASSY.	1	1		E, ED, F, G
		11	37260-438-000	TACHOMETER ASSY.	1	1		SA
		12	37261-438-000	CABLE ASSY., TACHOMETER	1	1		
		13	37261-438-000	CABLE, TACHOMETER INNER	1	1		
		14	37600-438-008	BOX COMP., PILOT	1	1		
		15	37610-438-008	PLATE, METER SETTING	1	1		
		16	37617-438-008	COVER, METER LOWER	1	1		

F 8

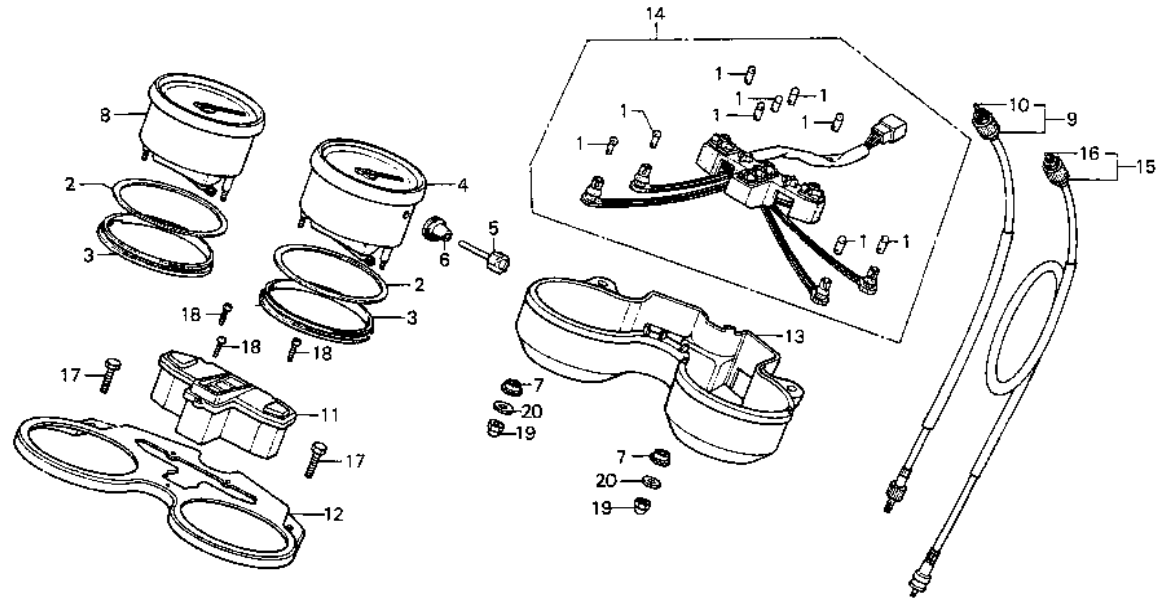
F-2

Meter

Compteurs

Messer

Medidor



B438-12

Service item	F.R.T.	Ref. No.	Part No.	Description	Reqd. No. CB900 Fz FA	Serial No.	Area code
		14	37619-438-008	CORD COMP., PILOT	1	1	
		15	44830-356-010	CABLE ASSY., SPEEDOMETER	1	1	
		16	44831-356-000	CABLE, SPEEDOMETER INNER	1	1	
		17	90107-438-000	SCREW, METER SETTING	2	2	
		18	93500-03008-0G	SCREW, PAN, 3X8	3	3	
		19	94021-05070-0S	NUT, CAP, 5MM	4	4	
		20	94103-05700	WASHER, PLAIN, 5MM	4	4	



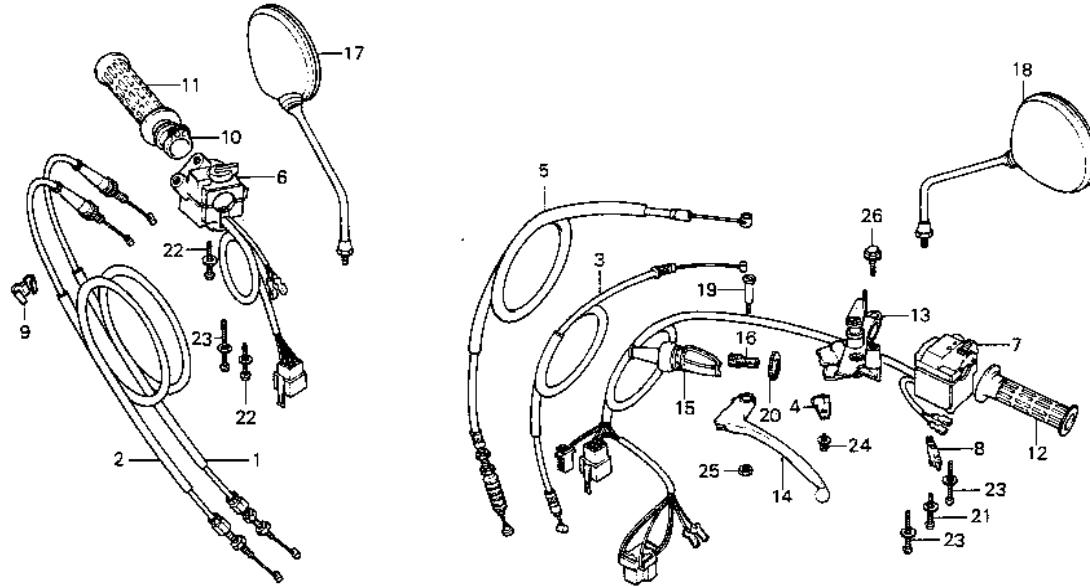
F-3

Handle lever • Switch • Cable

Levier de poignée • Interrupteur • Câble

Lenkstangenhebel • Schalter • kabel

Palanca de manubrio • Interruptor • Cable



B438-13

Service item	F.R.T.	Ref. No.	Part No.	Description	Reqd. No.		Serial No.	Area code
					CB900	Fz FA		
CABLE COMP. THROTTLE (ONE OR ALL)	0.6	1	17910-425-611	CABLE COMP. A, THROTTLE	1			
			17910-425-612	CABLE COMP. A, THROTTLE		1		
SWITCH ASSY., STARTER KILL		2	17920-425-610	CABLE COMP. B, THROTTLE	1			
CABLE COMP., CHOKE	0.3		17920-425-611	CABLE COMP. B, THROTTLE		1		
CABLE COMP., CLUTCH		3	17950-438-000	CABLE COMP., CHOKE	1	1		
BRACKET ASSY., HANDLE LEVER		4	17963-422-000	HOLDER, CHOKE	1	1		
SWITCH ASSY., WINKER	0.5	5	22870-438-610	CABLE COMP., CLUTCH	1	1		
		6	35150-425-602	SWITCH ASSY., STARTER KILL	1	1		
		7	35200-438-601	SWITCH ASSY., WINKER	1	1		
		8	35330-413-003	SWITCH COMP., FR. LEVER	1	1		
		9	46465-422-000	CLIP, CABLE	1	1		
		10	53141-422-000	PIPE, THROTTLE GRIP	1	1		
		11	53165-422-000	GRIP, R. HANDLE	1	1		
		12	53166-422-000	GRIP, L. HANDLE	1	1		
		13	53170-422-010	BRACKET ASSY., HANDLE LEVER	1	1		

F 10

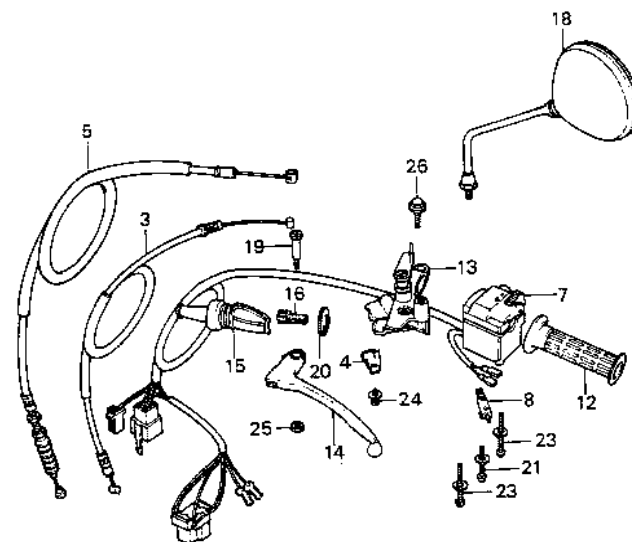
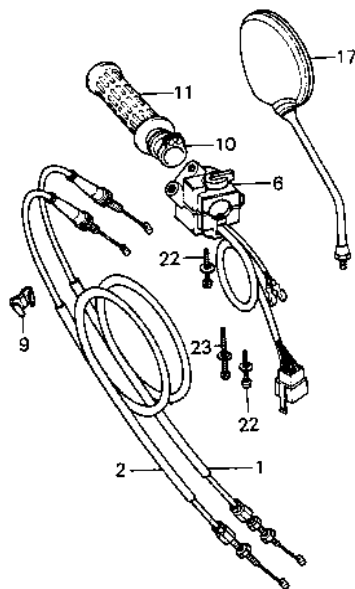
F-3

Handle lever • Switch • Cable

Levier de poignée •
Interrupteur • Câble

Lenkstangenhebel • Schalter •
kabel

Palanca de manubrio •
Interruptor • Cable



B438-13

Service item	F.R.T.	Ref. No.	Part No.	Description	Reqd. No. CB900 Fz Fa	Serial No.	Area code
SWITCH COMP., FR. LEVER	0.1	14	53178-422-010	LEVER, L. STEERING HANDLE	1		
GRIP, HANDLE		15	53180-422-010	BOLT, HANDLE LEVER	1		
LEVER, L. STEERING HANDLE		16	53192-422-000	BOLT, CABLE ADJUSTING	1		
BOOT, HANDLE LEVER		17	88110-425-013	MIRROR, BACK	1		2013549 DK,DM,ED,G,SA
MIRROR, BACK			88110-425-623	MIRROR, F. BACK	1		2011281 F
(ONE OR ALL)			88110-425-652	MIRROR, BACK	1		2013376 U
PIPE, THROTTLE GRIP	0.4		88110-438-003	MIRROR, BACK	1	2013550	DK,DM,ED,G,SA
			88110-438-651	MIRROR, BACK	1	2013377	DK,DM,ED,G,SA
					1		U
			88110-425-624	MIRROR, R. BACK	1		2013156 E
			88110-425-625	MIRROR, F. BACK	1	2011282	2013156 F
					1	2013157	E,F
					1		E,F
		18	88110-425-013	MIRROR, BACK	1		2013549 DK,DM,ED,G,SA
			88110-425-652	MIRROR, BACK	1		2013376 U
			88120-425-623	MIRROR, L. BACK	1		2011261 F
			88110-438-003	MIRROR, BACK	1	2013550	DK,DM,ED,G,SA
					1		DK,DM,ED,G,SA

F 11

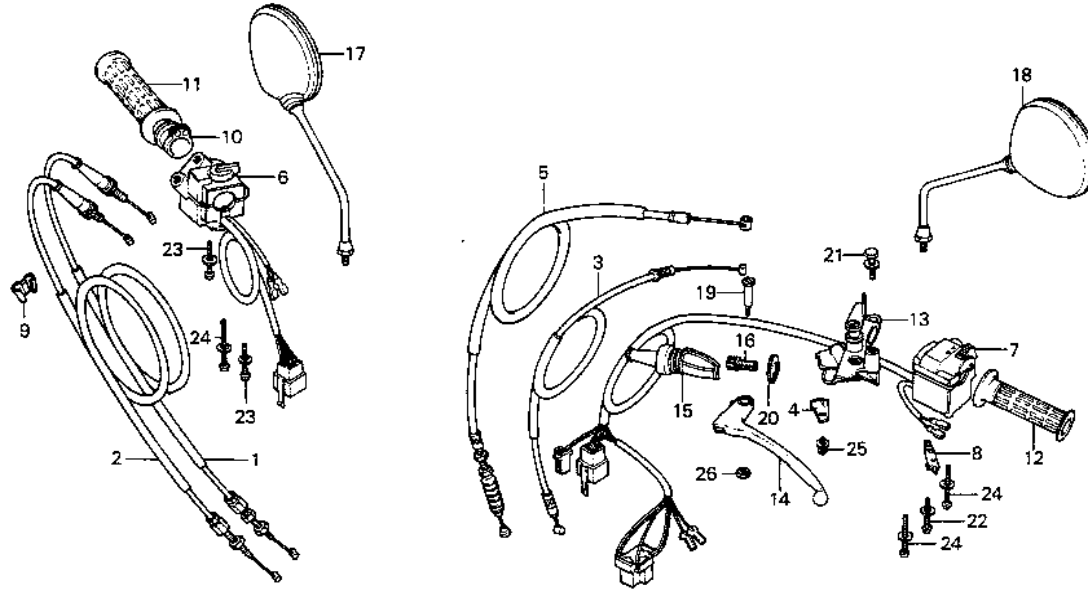
F-3

Handle lever • Switch • Cable

Levier de poignée •
Interrupteur • Câble

Lenkstangenhebel • Schalter •
kabel

Palanca de manubrio •
Interruptor • Cable



B438-13

Service item	F.R.T.	Ref. No.	Part No.	Description	Reqd. No. CBS00 Fz FA	Serial No.	Area code
			88110-438-651	MIRROR, BACK	1 1	2013377	U
			88120-425-624	MIRROR, L. BACK	1 1	2013156	U
			88120-425-625	MIRROR, L. BACK	1 1	2011262 2013156	E
						2013157	F
			19 90113-422-000	BOLT, L. STEERING HANDLE LEVER PIVOT	1 1		E,F
			20 90321-422-000	NUT, FIXING	1 1		E,F
			21 93891-05028-07	SCREW-WASHER, 5X28	1 1		
			22 93891-05032-07	SCREW-WASHER, 5X32	2 2		
			23 93891-05045-07	SCREW-WASHER, 5X45	3 3		
			24 93892-05010-07	SCREW-WASHER, 5X10	1 1		
			25 94002-06000	NUT, HEX., 6MM	1 1		
			26 95760-06025-07	BELT, FLANGE, 6X25	1 1		

F 12

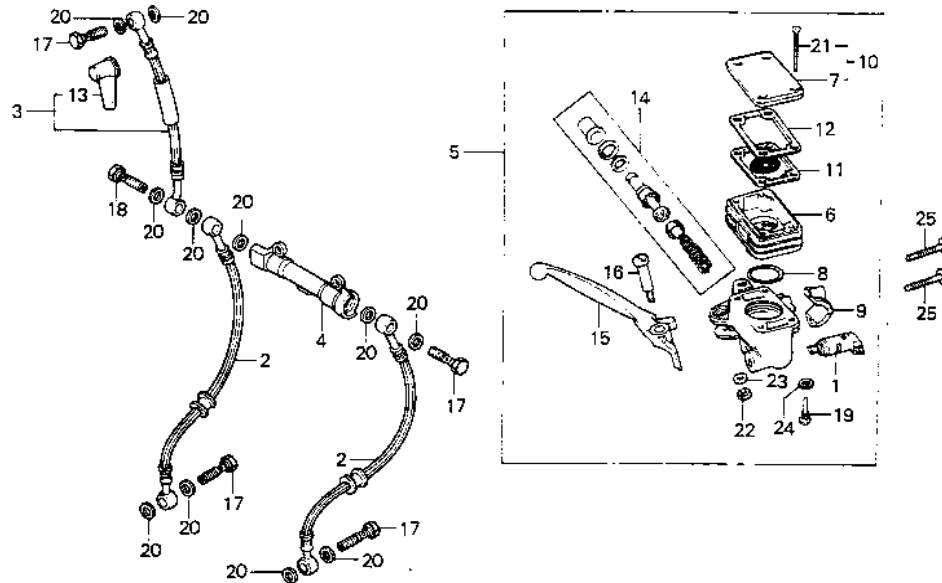
F-4

Front brake master cylinder

Maitre cylindre de frein avant

Vorderradbremse-Hauptzylinder

Cilindro maestro de freno delantero



B438-14

Service item	F.R.T.	Ref. No.	Part No.	Description	Reqd. No.		Serial No.	Area code
					CB900	Fz FA		
SWITCH ASSY., FR. STOP	0.1	1	35340-422-003	SWITCH ASSY., FR. STOP	1	1		
DIAPHRAGM		2	45125-438-003	HOSE A, FR. BRAKE	2			
LEVER, R. STEERING HANDLE			45125-438-013	HOSE A, FR. BRAKE (NICHIRIN)		2		
HOSE FR. BRAKE	0.3	3	45126-438-013	HOSE B, FR. BRAKE	1			
(WHEN SERVICING COMP., UNIT, F.R.T. IS 0.4.)			45126-438-023	HOSE B, FR. BRAKE (NICHIRIN)		1		
JOINT, TWO WAY		4	45127-422-003	JOINT, TWO WAY	1	1		
JOINT, TWO WAY		5	45500-438-611	CYLINDER ASSY., FR. MASTER	1		2010261	E,ED,F,G
CYLINDER ASSY., FR. MASTER			45500-438-651	CYLINDER ASSY., FR. MASTER	1		2010231	DK,DM,SA,U
CUP, OIL	0.2		45500-438-612	CYLINDER ASSY., FR. MASTER	1		2010262	E,ED,F,G
INC. RELATIVE PART			45500-438-652	CYLINDER ASSY., FR. MASTER	1		2010232	DK,DM,SA,U
CYLINDER SET, FR. MASTER	0.4		45500-438-614	CYLINDER ASSY., FR. MASTER (NISSHIN)	1			E,ED,F,G
			45500-438-654	CYLINDER ASSY., FR. MASTER (NISSHIN)	1			DK,DM,SA,U
		6	45511-438-006	CUP, OIL	1	1		
		7	45513-422-651	CAP, OIL CUP	1		2010231	DK,DM,SA,U
			45513-443-611	CAP, OIL CUP	1		2010261	E,ED,F,G

F 13

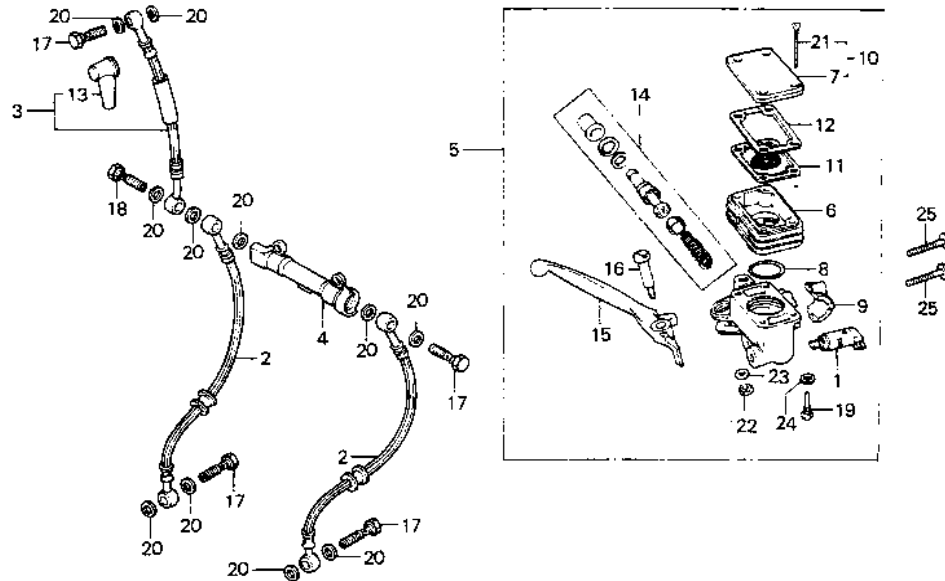
F-4

Front brake master cylinder

Maitre cylindre de frein avant

Vorderradbremse-Hauptzylinder

Cilindro maestro de freno delantero



8438-14

Service item	F.R.T.	Ref. No.	Part No.	Description	Reqd. No. CB900 F2 FA	Serial No.	Area code
			45513-422-652	CAP, OIL CUP	1	2010232	DK, DM, SA, U
			45513-443-612	CAP, OIL CUP	1	2010262	DK, DM, SA, U
		8	45516-422-006	O-RING, 39.7X3.5	1		E, ED, F, G
		9	45517-422-006	HOLDER, MASTER CYLINDER	1		E, ED, F, G
		10	45519-422-651	CAP SET, OIL CUP	1	2010231	DK, DM, SA, U
			45519-443-611	CAP SET, OIL CUP	1	2010261	E, ED, F, G
		11	45520-422-006	DIAPHRAGM	1	2010231	DK, DM, SA, U
					1	2010261	E, ED, F, G
			45520-422-016	DIAPHRAGM	1	2010232	DK, DM, SA, U
					1	2010262	E, ED, F, G
		12	45521-422-006	PLATE, DIAPHRAGM	1		
		13	45522-422-000	BOOT, MASTER CYLINDER	1		
		14	45530-422-305	CYLINDER SET, FR. MASTER	1		
		15	53175-438-000	LEVER, F. STEERING HANDLE	1		

F 14

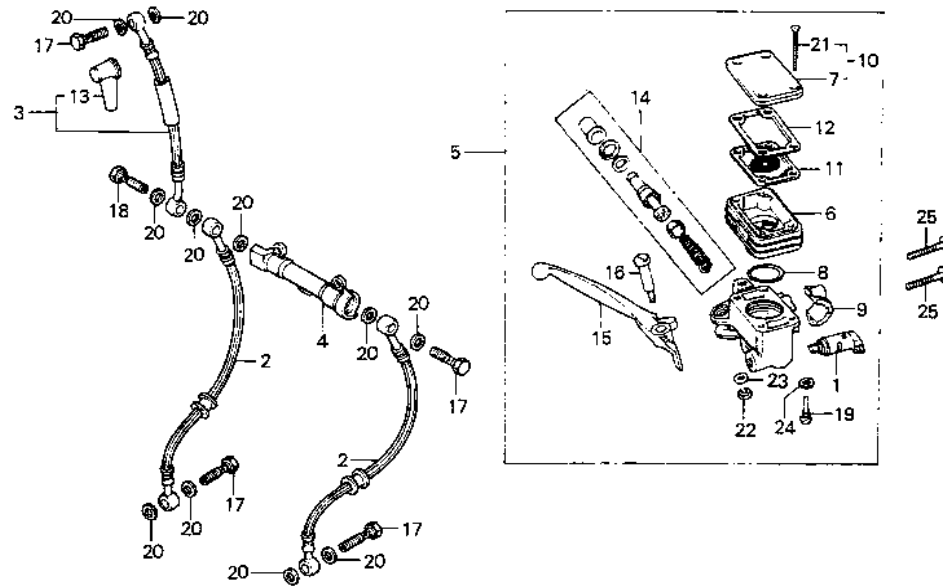
F-4

Front brake master cylinder

Maitre cylindre de frein avant

Vorderradbremse-Hauptzylinder

Cilindro maestro de freno delantero



B438-14

Service item	F.R.T.	Ref. No.	Part No.	Description	Reqd. No. CB900 Fz Fa	Serial No.	Area code
		16	90114-422-000	BOLT, R. STEERING HANDLE LEVER PIVOT	1 1		
		17	90145-300-000	BOLT, OIL	4 4		
		18	90145-422-010	BOLT, OIL	1 1		
		19	90183-422-000	SCREW, PAN, 4X13.5	1 1		
		20	90545-300-000	WASHER, OIL BOLT	11 11		
		21	93600-04037-1G	SCREW, FLAT, 4X37	4		2010231 DK, DM, SA, U
					4		2010261 E, ED, F, G
			90137-422-006	SCREW, CAP, 4X35	4	2010232	DK, DM, SA, U
					4	2010262	E, ED, F, G
					4		
		22	94002-06000	NUT, HEX., 6MM	1 1		
		23	94101-06000	WASHER, PLAIN, 6MM	1 1		
		24	94111-04000	WASHER, SPRING, 4MM	1 1		
		25	95700-06025-07	BOLT, FLANGE, 6X25	2 2		

F 15

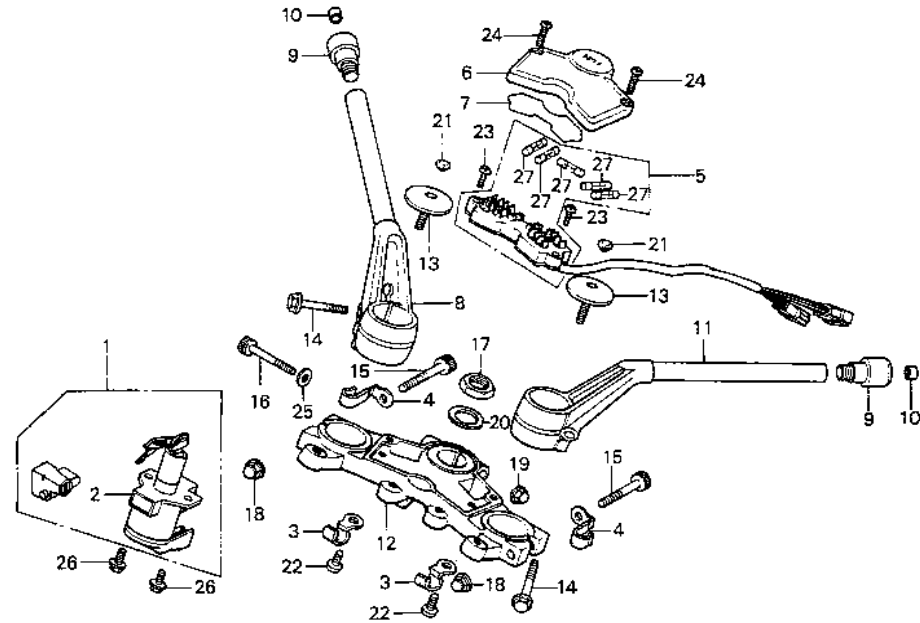
F-5

Handle pipe · Top bridge

Guidon · Haut de fourche

Lenkrohr · Obere Brücke

Tubo do manubrio ·
Puente superior



B438-15

Service item	F.R.T.	Ref. No.	Part No.	Description	Reqd. No. C8900 Fz Fa	Serial No.	Area code
KEY SET	0.6	1	35010-438-610	KEY SET	1 1		E, ED, F, G
BRIDGE, FORK TOP			35010-438-680	KEY SET	1 1		DK, DM, SA, U
SWITCH ASSY., COMBINATION & LOCK	0.3	2	35100-438-007	SWITCH ASSY., COMBINATION & LOCK	1 1		DK, DM, SA, U
SWITCH ASSY., COMBINATION			35100-438-601	SWITCH ASSY., COMBINATION	1 1		E, ED, F, G
PLATE ASSY., FUSE		3	35210-438-000	CLAMP, SWITCH CORD	2 2		
PIPE, R. STEERING HANDLE		4	35211-438-000	CLAMP, SWITCH CORD	2 2		
PIPE, L. STEERING HANDLE		5	38200-422-005	PLATE ASSY., FUSE	1 1		
COVER, FUSE PLATE	0.1	6	38210-422-000	COVER, FUSE PLATE	1 1		
WEIGHT, HANDLE (ONE OR ALL)		7	38215-438-300	LABEL, FUSE	1 1		DK, DM, E, ED, G, SA, U
			38215-438-620	LABEL, FUSE (FRENCH)	1 1		F
		8	53100-438-610	PIPE, R. STEERING HANDLE	1 1		
		9	53105-438-000	WEIGHT, HANDLE	2 2		
		10	53110-438-000	PLUG, HANDLE WEIGHT	2 2		

F 16

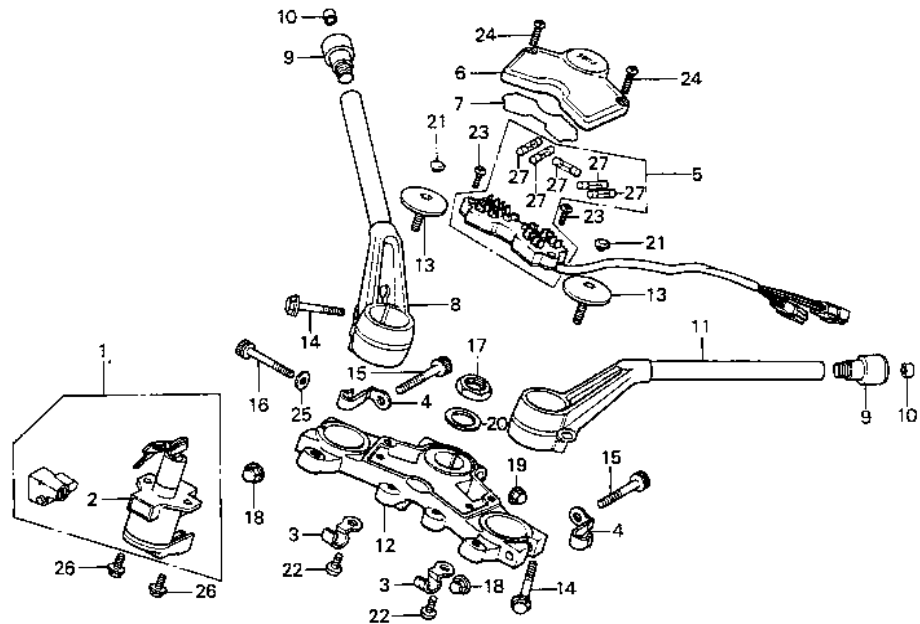
F-5

Handle pipe · Top bridge

Guidon · Haut de fourche

Lenkrohr · Obere Brücke

Tubo do manubrio ·
Puente superior



B438-15

Service item	F.R.T.	Ref. No.	Part No.	Description	Reqd. No.		Serial No.	Area code
					C B900	Fz FA		
		11	53150-438-610	PIPE, L. STEERING HANDLE	1	1		
		12	53230-422-000	BRIDGE, FORK TOP	1	1		
			53230-469-000	BRIDGE, FORK TOP		1		
		13	90107-422-000	BOLT, HANDLE SETTING	2	2		
		14	90153-438-000	BOLT, STEERING HANDLE SETTING	2	2		
		15	90167-422-000	BOLT, SOCKET, 7X55	2	2		
		16	90168-422-000	BOLT, SOCKET, 8X75	1	1		
		17	90304-425-000	NUT, STEERING STEM	1	1		
		18	90360-422-000	NUT, CAP, 7MM	2	2		
		19	90443-379-690	NUT, CAP, 8MM	1	1		
		20	90503-425-000	WASHER, STEERING STEM	1	1		
		21	91456-371-770	CAP, SOCKET BOLT	2	2		
		22	93500-05008-0G	SCREW, PAN, 5X8	2	2		
		23	93500-05016-0A	SCREW, PAN, 5X16	2	2		
		24	93500-05020-0G	SCREW, PAN, 5X20	2	2		
		25	94102-08700	WASHER, PLAIN, 8MM	1	1		

G 1

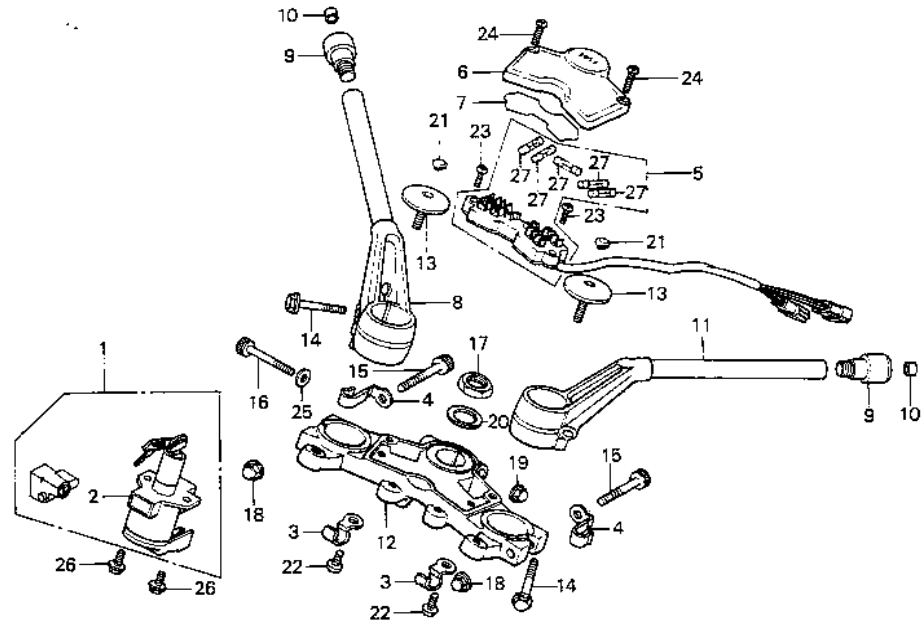
F-5

Handle pipe • Top bridge

Guidon • Haut de fourche

Lenkrohr • Obere Brücke

Tubo do manubrio •
Puente superior



B43B-15

Service item	F.R.T.	Ref. No.	Part No.	Description	Reqd. No.		Serial No.	Area code
					CB900 Fz	FA		
		26	95700-06012-00	BOLT, FLANGE, 6X12	2	2		
		27	98200-21500	FUSE 8 (15A)	5	5		



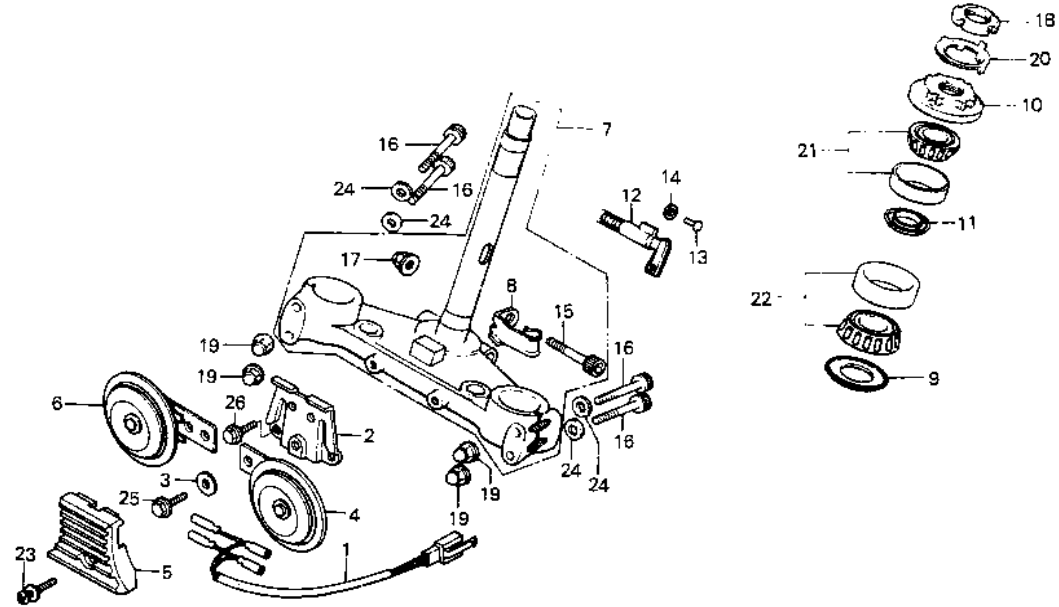
F-6

Steering stem

Tige de direction

Steuerkopfschaft

Varilla de dirección



B438-16B

Service item	F.R.T.	Ref. No.	Part No.	Description	Reqd. No. Cb900 Fz Fa	Serial No.	Area code
HORN COMP.	0.1	1	32101-438-000	HARNES A, SUB WIRE	1 1		
LOCK COMP., STEERING HANDLE		2	38102-438-004	STAY, HORN	1 1		
STEM COMP., STEERING	1.1	3	38106-410-004	WASHER, PLAIN, 20MP	2 2		
THREAD COMP., STEERING HEAD	0.5	4	38110-438-004	HORN COMP. (HIGH)	1 1		
	TOP	5	38111-438-000	EMBLEM, HORN	1 1		
BEARING, HEAD PIPE	1.0	6	38120-438-004	HORN COMP. (LOW)	1 1		
(ONE OR ALL)		7	53200-438-610	STEM COMP., STEERING	1		E, ED, F, G
			53200-445-000	STEM COMP., STEERING	1		DK, DM, SA, U
			53200-438-611	STEM COMP., STEERING	1		E, ED, F, G
			53200-438-680	STEM COMP., STEERING	1		DK, DM, SA, U
		8	53208-438-000	GUIDE, SPEEDOMETER CABLE	1 1		
		9	53214-371-010	DUST SEAL, STEERING HEAD	1 1		
		10	53220-422-000	THREAD COMP., STEERING HEAD	1 1		
				TOP			
		11	53223-371-010	HOLDER, GREASE	1 1		

G 3

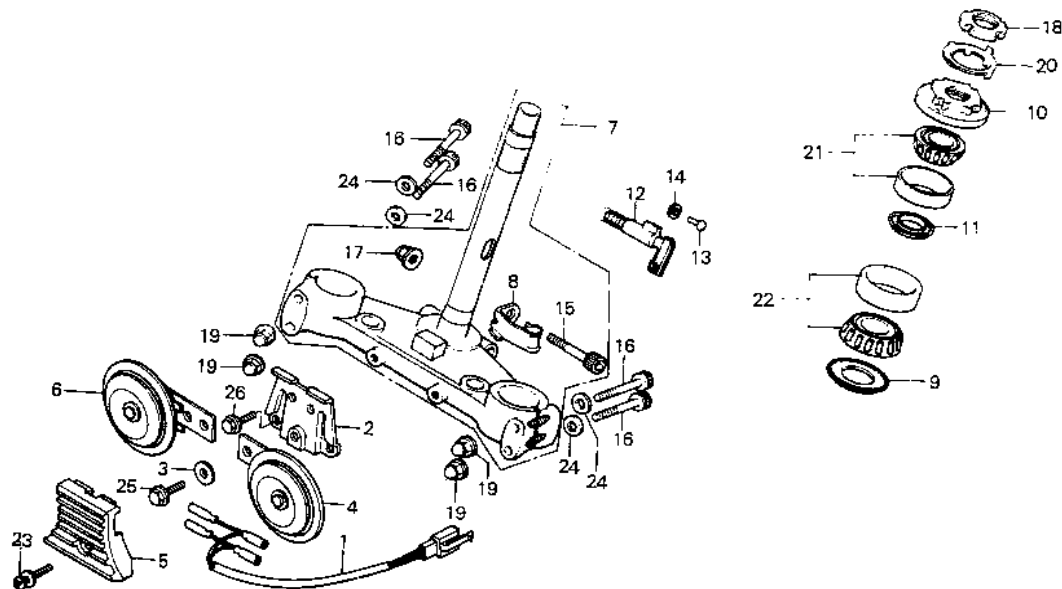
F-6

Steering stem

Tige de direction

Steuerkopfschaft

Varilla de dirección



B438-168

Service item	F.R.T.	Ref. No.	Part No.	Description	Reqd. No.		Serial No.	Area code
					CB900	Fz FA		
		12	53600-404-610	LOCK COMP., STEERING HANDLE	1	1		E,ED,F,G
		13	53603-051-000	RIVET, 4.1MM	1	1		E,ED,F,G
		14	53604-098-940	WASHER, 4.5MM	1	1		E,ED,F,G
		15	90165-422-000	BOLT, SOCKET, 10X65	1	1		
		16	90166-422-000	BOLT, SOCKET, 8X55	4	4		
		17	90202-329-000	NUT, FLANGE CAP, 10MM	1	1		
		18	90302-425-830	THREAD B, STEERING HEAD TOP		1		
		19	90443-107-000	NUT, CAP, 8MM	4	4		
		20	90506-425-830	WASHER, LOCK		1		
		21	91015-371-000	BEARING, HEAD PIPE UPPER		1		
			91015-425-831	BEARING, HEAD PIPE UPPER (TCYO)		1		
			91015-425-832	BEARING, HEAD PIPE UPPER		1		
		22	91016-371-000	BEARING, HEAD PIPE UNDER		1		



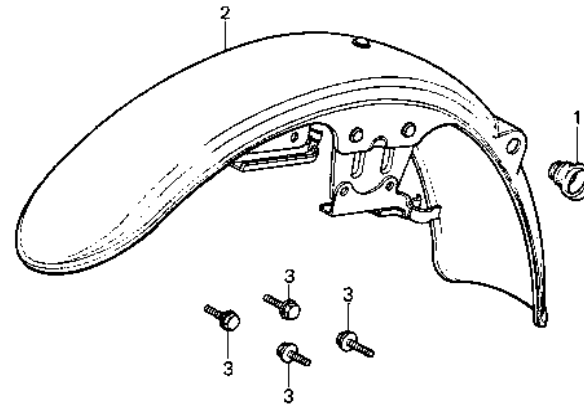
F-7

Front fender

Garde-boue avant

Vorderer Kotflügel

Parafango delantero



8438-17

Service item	F.R.T.	Ref. No.	Part No.	Description	Reqd. No.		Serial No.	Area code
					CB900	Fz FA		
GROMMET, WIRE	0.1	1	45451-367-690	GROMMET, WIRE	1	1		
FENDER COMP., FR.	0.3	2	61100-438-0002A	FENDER COMP., FR. *NH-104M-U*	1		2011581	
			61100-438-0002B	FENDER COMP., FR. *R-33*	1		2011581	
			61100-438-0002C	FENDER COMP., FR. *PB-107C-U*	1		2011581	
			61100-438-0102A	FENDER COMP., FR. *NH-104M-U*	1		2011582	
			61100-438-0102b	FENDER COMP., FR. *R-33*	1		2011582	
			61100-438-0102C	FENDER COMP., FR. *PB-107C-U*	1		2011582	
			61100-438-0102D	FENDER COMP., FR. *NH-1*	1		2011882	E,EO,F,G
			61100-438-0202A	FENDER COMP., FR. *NH-104M-U*		1		
			61100-438-0202C	FENDER COMP., FR. *PB107C-U*		1		
			61100-438-0202D	FENDER COMP., FR. *NH-1*		1		
			61100-438-0202E	FENDER COMP., FR. *R-107C-U*		1		
		3	95700-06016-00	BOLT, FLANGE, 6X16	4	4		



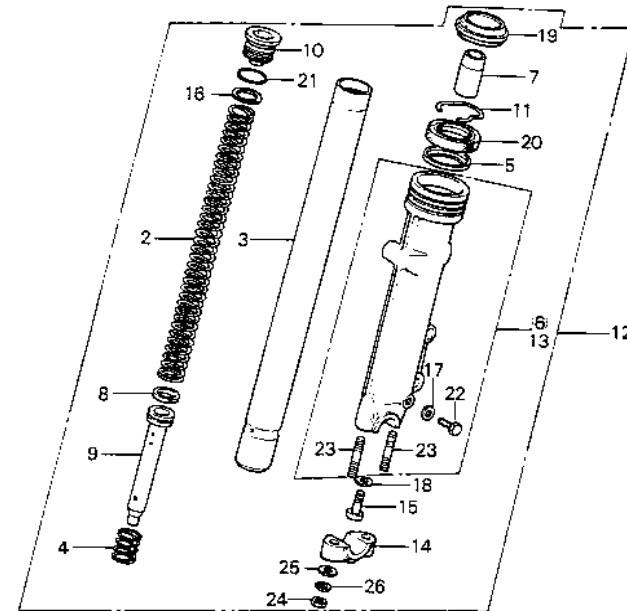
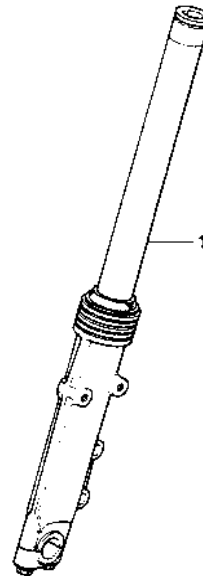
F-8

**Front fork
(CB900Fz)**

**Fourche avant
(CB900Fz)**

**Vordergabel
(CB900Fz)**

**Horquilla delantero
(CB900Fz)**



6438-18

Service item	F.R.T.	Ref. No.	Part No.	Description	Reqd. No. CB900 Fz FA	Serial No.	Area code
FORK ASSY., FR. (WHEN SERVICING COMP., UNIT, F.R.T. IS 0.8.) SPRING, FR. CUSHION PIPE COMP., FR. FORK INC. RELATIVE PART (WHEN SERVICING COMP., UNIT, F.R.T. IS 1.1.)	0.5	1	51400-438-003	FORK ASSY., F. FR.	1		
		2	51401-438-003	SPRING, FR. CUSHION	2		
		3	51410-422-013	PIPE COMP., FR. FORK	2		
	0.2	4	51412-340-000	SPRING, FR. FORK REBOUND	2		
	0.7	5	51412-422-003	RING, BACK UP	2		
CASE COMP., BOTTOM (WHEN SERVICING COMP., UNIT, F.R.T. IS 1.1.) OIL SEAL, 35X48X11 (WHEN SERVICING COMP., UNIT, F.R.T. IS 1.1.)	0.9	6	51421-438-003	CASE COMP., R. BOTTOM	1		
		7	51432-371-003	PIECE, OIL LOCK	2		
		8	51437-400-771	RING, PISTON	2		
		9	51440-425-003	PIPE, SEAT	2		
		10	51454-422-003	BOLT, FR. FORK	2		
CASE COMP., BOTTOM (WHEN SERVICING COMP., UNIT, F.R.T. IS 1.5.) BOLT, STUD, 8X50 (ADD 0.1 FOR EACH.)	0.3	11	51466-375-000	RING, OIL SEAL STOPPER	2		
		12	51500-438-003	FORK ASSY., L. FR.	1		
		13	51521-438-003	CASE COMP., L. BOTTOM	1		
		14	51634-410-003	HOLDER, FR. FORK AXLE	2		
		15	90116-283-010	BOLT, SOCKET, 8MM	2		
		16	90504-425-003	WASHER, FR. FORK	2		

G 7

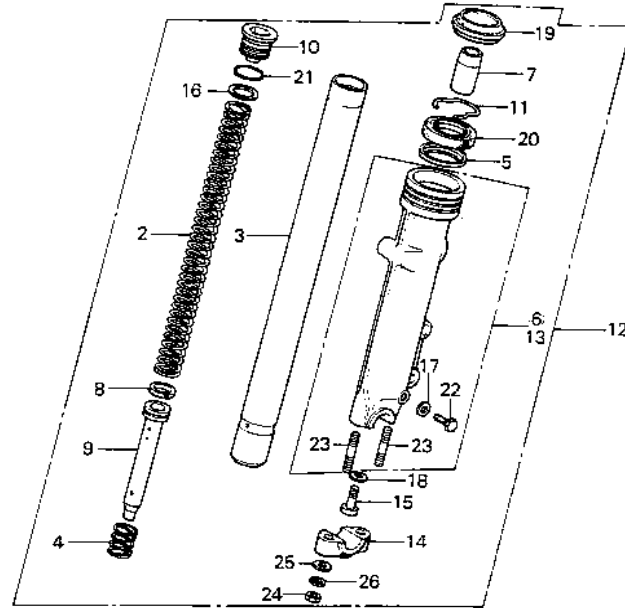
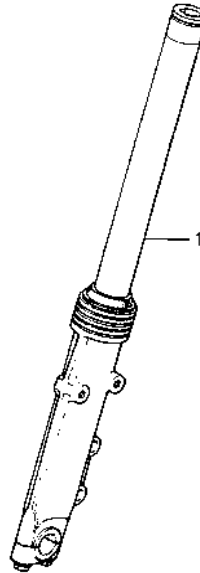
F-8

**Front fork
(CB900Fz)**

**Fourche avant
(CB900Fz)**

**Vordergabel
(CB900Fz)**

**Horquilla delantero
(CB900Fz)**



8438-18

Service item	F.R.T.	Ref. No.	Part No.	Description	Reqd. No. CB900 Fz FA	Serial No.	Area code
		17	90543-273-000	PACKING, FK. FORK DRAIN COCK	2		
		18	90544-233-000	WASHER, SPECIAL, 8MM	2		
		19	91254-400-771	DUST SEAL, 35MM	2		
		20	91255-434-003	OIL SEAL, 35X48X11	2		
		21	91356-428-003	O-RING, 25.7X28	2		
		22	92000-06008	BOLT, HEX., 5X8	2		
		23	92700-08050-38	BOLT, STUD, 8X50	4		
		24	94030-09000	NUT, HEX., 8MM	4		
		25	94101-08000	WASHER, PLAIN, 8MM	4		
		26	94111-03000	WASHER, SPRING, 8MM	4		



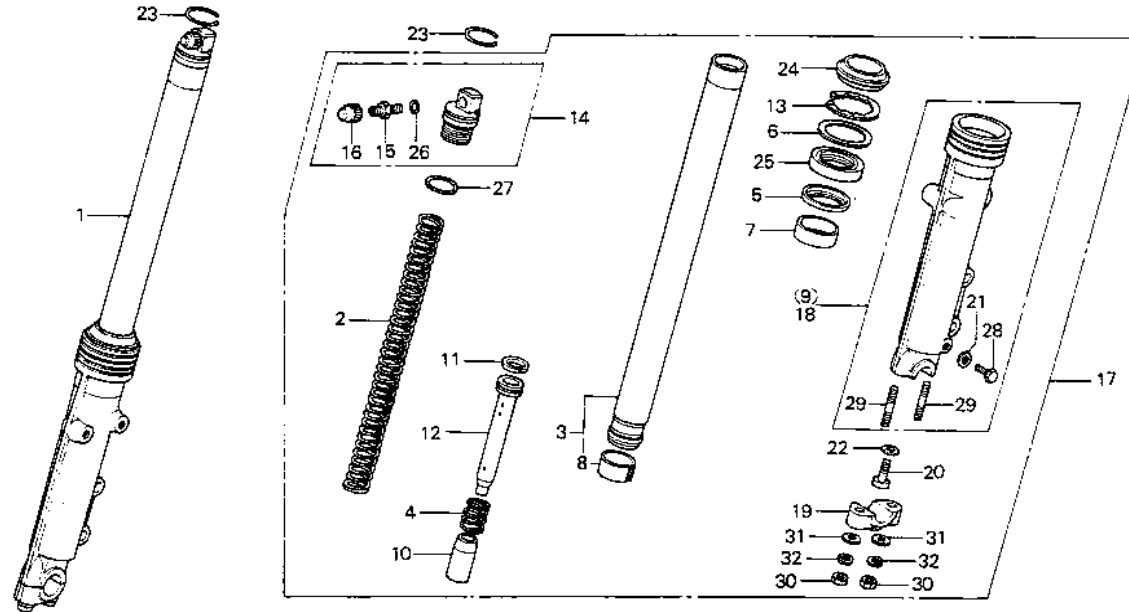
F-8-1

Front fork
(CB900FA)

Fourche avant
(CB900FA)

Vordergabel
(CB900FA)

Horquilla delantero
(CB900FA)



B422-66

Service item	F.R.T.	Ref. No.	Part No.	Description	Reqd. No. CB900 Fz Fa	Serial No.	Area code
FORK ASSY., FR. (WHEN SERVICING COMP., UNIT, F.R.T. IS 0.8.)	0.5	1	51400-438-711	FORK ASSY., R. FR. (SHOWA)	1		
SPRING, FR. CUSHION	0.3	2	51401-438-003	SPRING, FR. CUSHION	2		
BOLT, STUD, 8X50 (ADD 0.1 FOR EACH.)		3	51410-469-013	PIPE COMP., FR. FORK (SHOWA)	2		
PIPE COMP., FR. FORK	0.7	4	51412-340-000	SPRING, FR. FORK REBOUND	2		
INC. RELATIVE PART (WHEN SERVICING COMP., UNIT, F.R.T. IS 1.1.)		5	51412-422-003	RING, BACK UP	2		
OIL SEAL, 35X48X11 (WHEN SERVICING COMP., UNIT, F.R.T. IS 1.1.)		6	51413-469-003	PLATE, BACK UP (SHOWA)	2		
CASE COMP., BOTTOM (WHEN SERVICING COMP., UNIT, F.R.T. IS 1.5.)	0.9	7	51414-469-003	BUSH, GUIDE (SHOWA)	2		
		8	51415-469-003	BUSH, SLIDER (SHOWA)	2		
		9	51421-469-003	CASE COMP., R. BOTTOM (SHOWA)	1		
		10	51432-371-003	PIECE, OIL LOCK	2		
		11	51437-400-771	RING, PISTON	2		
		12	51440-469-013	PIPE, SEAT (SHOWA)	2		
		13	51447-469-003	CIRCLIP, INTERNAL, 51.5	2		
		14	51454-469-003	BOLT ASSY., FR. FORK	2		
		15	51456-469-003	VALVE COMP., AIR (SHOWA)	2		



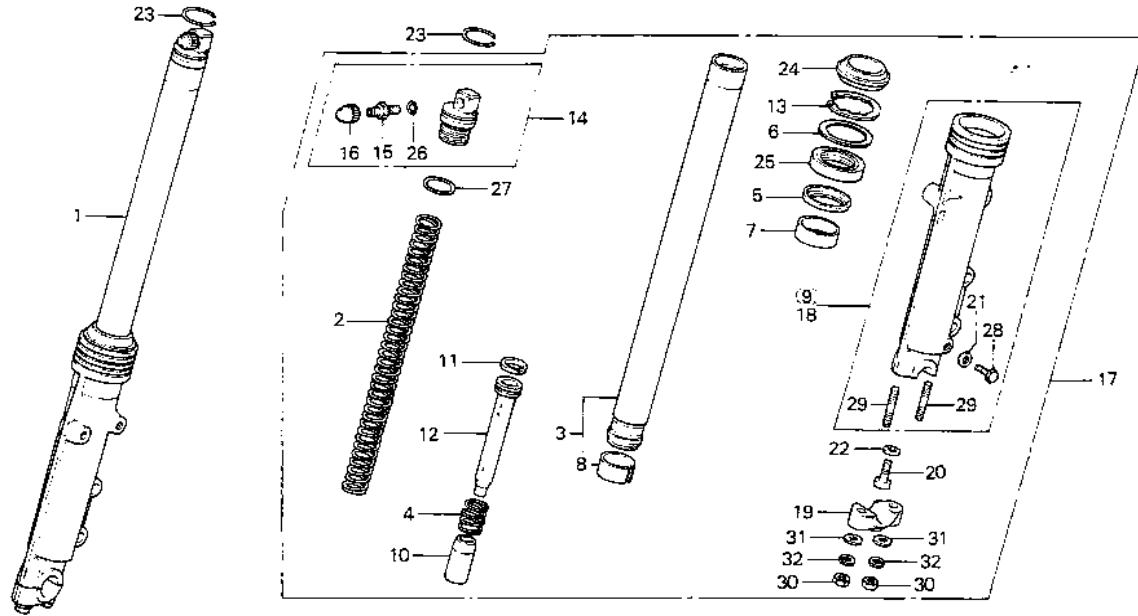
F-8-1

Front fork
(CB900FA)

Fourche avant
(CB900FA)

Vordergabel
(CB900FA)

Horquilla delantero
(CB900FA)



B422-66

Service item	F.R.T.	Ref. No.	Part No.	Description	Reqd. No. CB900 Fz FA	Serial No.	Area code
		16	51457-469-000	CAP ASSY., AIR VALVE	2		
		17	51500-438-711	FORK ASSY., L. FR. (SHOWA)	1		
		18	51521-469-003	CASE COMP., L. BOTTOM (SHOWA)	1		
		19	51634-410-003	HOLDER, FR. FORK AXLE	2		
		20	90116-283-010	BOLT, SOCKET, 8MM	2		
		21	90543-273-000	PACKING, FR. FORK DRAIN COCK	2		
		22	90544-283-000	WASHER, SPECIAL, 8MM	2		
		23	90601-469-000	RING, SNAP, 31.4MM	2		
		24	91254-434-003	DUST SEAL, 35MM	2		
		25	91255-434-013	OIL SEAL, 35X48X11	2		
		26	91301-469-003	O-RING, 5.8X1.9	2		
		27	91356-428-003	O-RING, 25.7X2.8	2		
		28	92000-06008	BOLT, HEX., 6X8	2		
		29	92760-C3050-3B	BOLT, STUD, 3X50	4		
		30	94030-08000	NUT, HEX., 8MM	4		

G 10

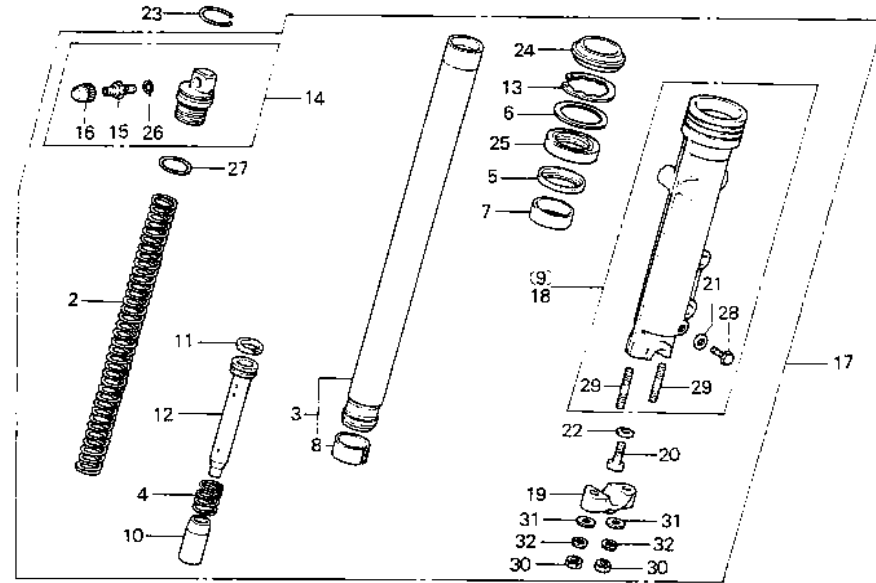
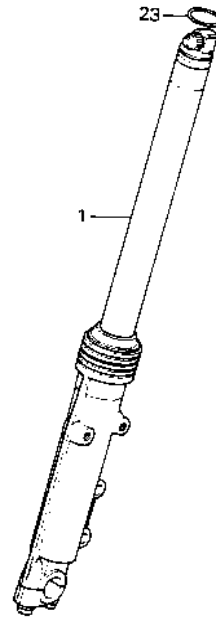
F-8-1

Front fork
(CB900FA)

Fourche avant
(CB900FA)

Vordergabel
(CB900FA)

Horquilla delantero
(CB900FA)



8422-66

Service item	F.R.T.	Ref. No.	Part No.	Description	Reqd. No. CB900 Fz FA	Serial No.	Area code
		31	94101-C8000	WASHER, PLAIN, 8MM	4		
		32	94111-C8000	WASHER, SPRING, 8MM	4		

G 11

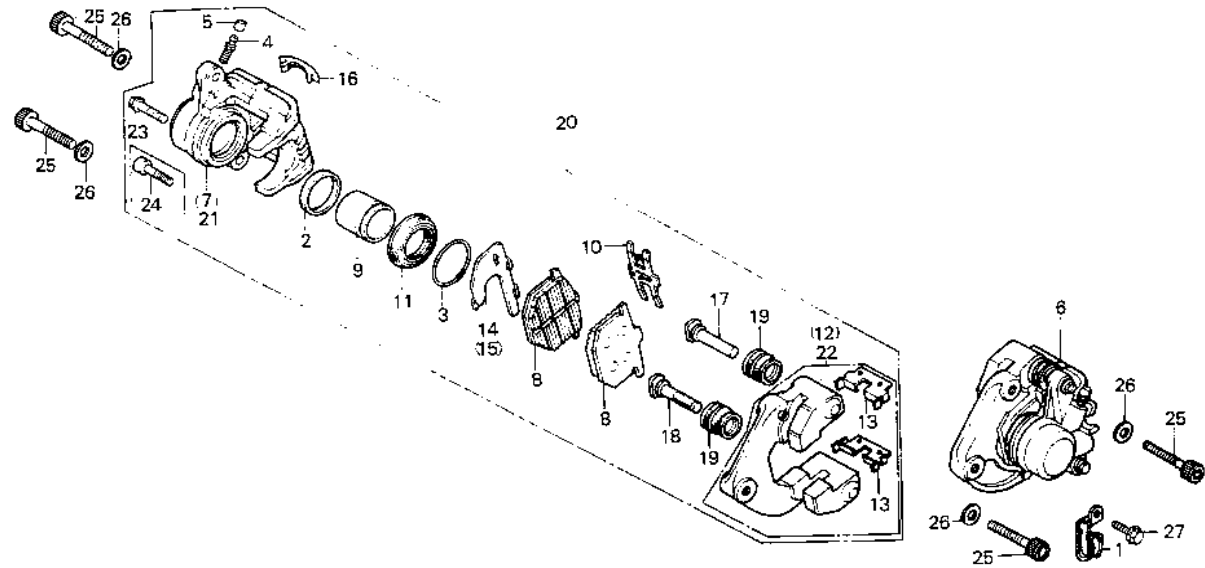
F-9

Front brake caliper

Etrier de frein avant

Vorderradbremssattel

Calibrador de freno delantero



B436-19A

Service item	F.R.T.	Ref. No.	Part No.	Description	Reqd. No.		Serial No.	Area code
					CB900	Fz Fa		
CALIPER ASSY., FR. (WHEN SERVICING COMP., UNIT, F.R.T. IS 0.4.)	0.3	1	32906-049-000	CLIP, HIGH TENSION CORD	1	1		
		2	43209-371-006	SEAL, PISTON	2	2		
CALIPER (WHEN SERVICING COMP., UNIT, F.R.T. IS 0.6.)	0.4	3	43218-371-006	CLIP, DUST COVER	2	2		
		4	43352-568-003	VALVE, BLEEDER	2	2		
PISTON (WHEN SERVICING COMP., UNIT, F.R.T. IS 0.6.)		5	43353-548-003	CAP, BLEED SCREW	2	2		
	0.2	6	45100-438-006	CALIPER ASSY., L. FR. (NISSHIN JB)	1	1		
BRACKET, FR.			45100-438-007	CALIPER ASSY., L. FR. (NISSHIN ASK)	1	1		DK,DM,E,ED,F,G,SA
			45100-445-771	CALIPER ASSY., L. FR. (NISSHIN JB)	1	1		
			45100-445-772	CALIPER ASSY., L. FR. (NISSHIN ASK)	1	1		DK,DM,E,ED,F,G,SA
		7	45101-410-006	CALIPER, L. (NISSHIN)	1	1		
		8	45105-438-000	PAD COMP.	4	4		
			45105-438-004	PAD COMP. (NISSHIN JB)	4	4		
			45105-438-007	PAD COMP. (NISSHIN ASK)	4	4		DK,DM,E,ED,F,G,SA
		9	45107-410-006	PISTON (NISSHIN)	2	2		

G 12

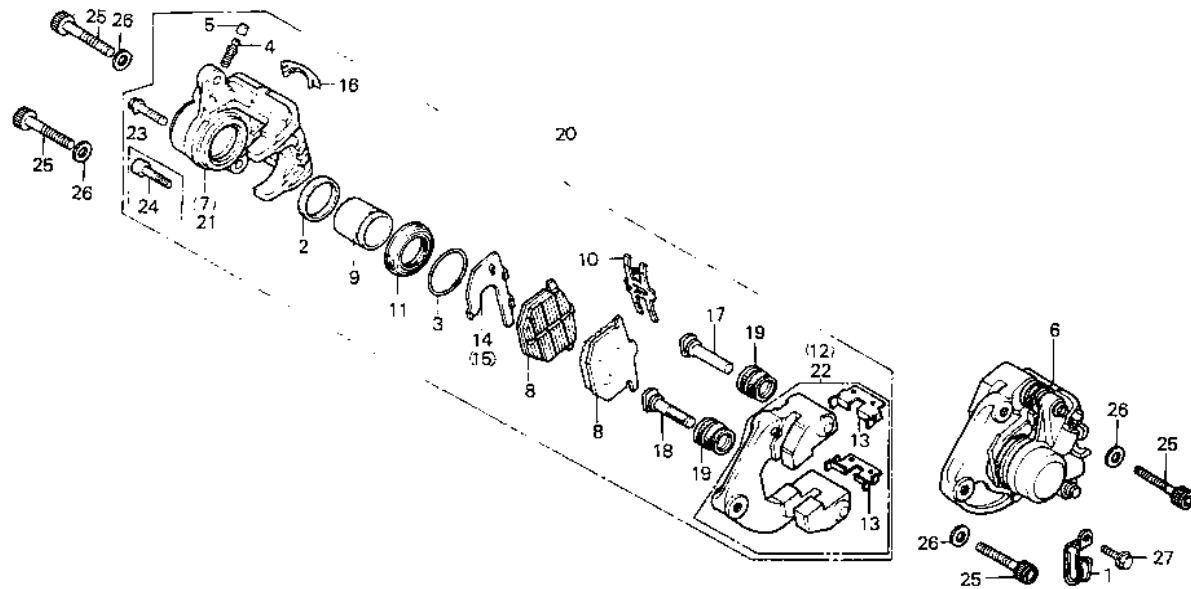
F-9

Front brake caliper

Etrier de frein avant

Vorderradbremssattel

Calibrador de freno delantero



B43B-19A

Service item	F.R.T.	Ref. No.	Part No.	Description	Reqd. No. CB900 Fz FA	Serial No.	Area code
		10	45108-410-006	SPRING, PAD (NISSHIN)	2 2		
		11	45109-371-006	SCOT, PISTON	2 2		
		12	45110-422-006	BRACKET, L. FR.	1 1		
		13	45112-410-006	RETAINER, FR. BRACKET	4 4		
		14	45114-371-006	SHIM A, PAD	1 1		
		15	45116-371-006	SHIM B, PAD	1 1		
		16	45119-371-000	CAP, INDICATOR	2 2		
		17	45131-410-006	PIN A (NISSHIN)	2 2		
		18	45132-410-006	PIN B (NISSHIN)	2 2		
		19	45133-371-006	COVER, DUST	4 4		
		20	45200-438-006	CALIPER ASSY., R. FR. (NISSHIN JB)	1		
			45200-438-007	CALIPER ASSY., R. FR. (NISSHIN ASK)	1		DK, DM, E, ED, F, G, SA
			45200-445-771	CALIPER ASSY., R. FR. (NISSHIN JB)	1		
			45200-445-772	CALIPER ASSY., R. FR. (NISSHIN ASK)	1		DK, DM, E, ED, F, G, SA

G 13

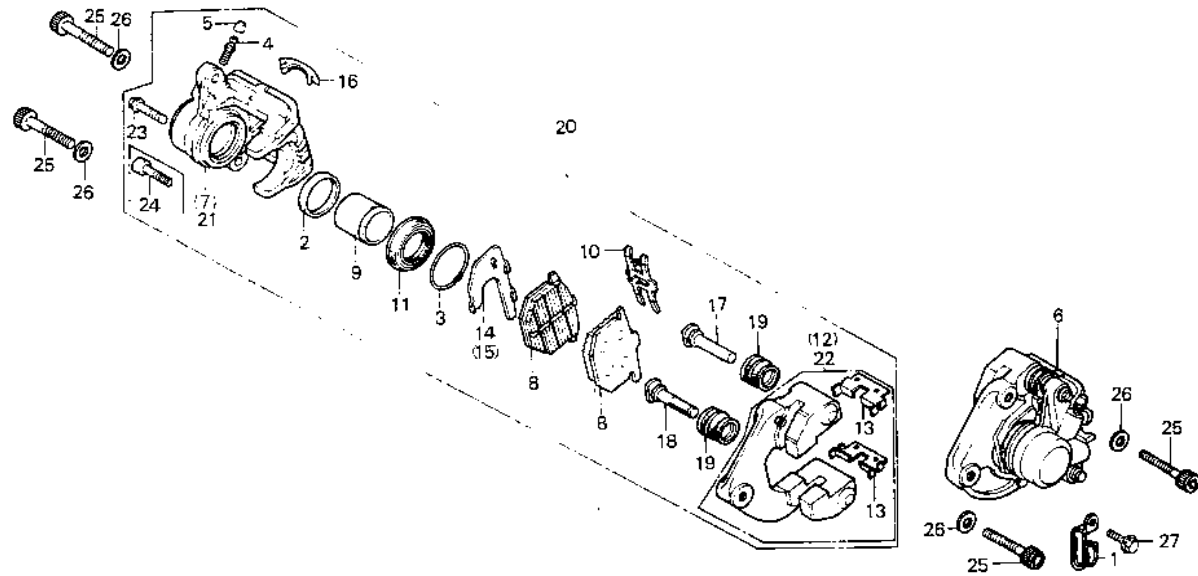
F-9

Front brake caliper

Etrier de frein avant

Vorderradbremssattel

Calibrador de freno delantero



B433-19A

Service item	F.R.T.	Ref. No.	Part No.	Description	Reqd. No.		Serial No.	Area code
					CB900	Fz Fa		
		21	45201-410-000	CALIPER, R. (NISSHIN)	1	1		
		22	45210-422-006	BRACKET, R. FR.	1	1		
		23	90116-410-006	BCLT, 8X25		4		
		24	90116-422-006	BCLT, SOCKET, 8X23	4			
		25	90164-422-000	BCLT, SOCKET, 10X32	4	4		
		26	94102-10700	WASHER, PLAIN, 10MM	4	4		
		27	95700-06010-00	BCLT, FLANGE, 6X10	1	1		

G 14

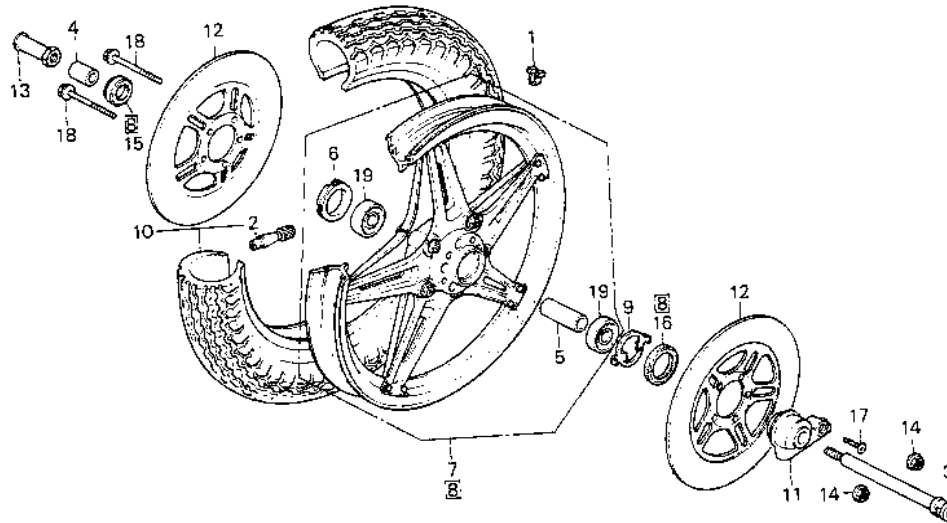
F-10

**Front wheel
(CB900Fz)**

**Roue avant
(CB900Fz)**

**Vorderrad
(CB900Fz)**

**Rueda delantera
(CB900Fz)**



B425-30

Service item	F.R.T.	Ref. No.	Part No.	Description	Reqd. No. CB900 Fz FA	Serial No.	Area code
WEIGHT, BALANCE	0.8	1	42705-410-000	WEIGHT, BALANCE (2CG)	N		
AXLE, FR. WHEEL	0.3		42706-410-000	WEIGHT, BALANCE (30G)	N		
BOX ASSY., SPEEDOMETER GEAR		2	42753-634-003	VALVE, RIM (BS)	1		
DISK, FR. BRAKE (L. SIDE 0.4.)			42753-671-962	VALVE, RIM (DUNLOP)	1		
DUST SEAL, 22X36X8		3	44301-422-000	AXLE, FR. WHEEL	1		
COLLAR, FR. WHEEL DISTANCE	0.6	4	44311-410-000	COLLAR, FR. WHEEL SIDE	1		
BEARING, RADIAL BALL, 6302U (ADD 0.1 FOR EACH.)		5	44620-410-000	COLLAR, FR. WHEEL DISTANCE	1		
RETAINER, FR. WHEEL BEARING	0.5	6	44643-300-000	RETAINER, FR. WHEEL BEARING	1		
RETAINER, GEAR BOX		7	44650-422-305	WHEEL COMP., FR.	1		
WHEEL COMP., FR.	1.0	8	44650-422-315	WHEEL COMP., FR.	1		
TIRE ASSY., FR.	0.9	9	44680-410-000	RETAINER, GEAR BOX	1		
DUST SEAL, 40X50X5	0.4	10	44710-438-003	TIRE ASSY., FR. (BS)	1		
			44710-438-004	TIRE ASSY., FR. (DUNLOP)	1		
		11	44800-425-013	BOX ASSY., SPEEDOMETER GEAR	1		
		12	45251-422-000	DISK, FR. BRAKE	2		
		13	90305-333-000	NUT, AXLE, 12MM	1		

G 15

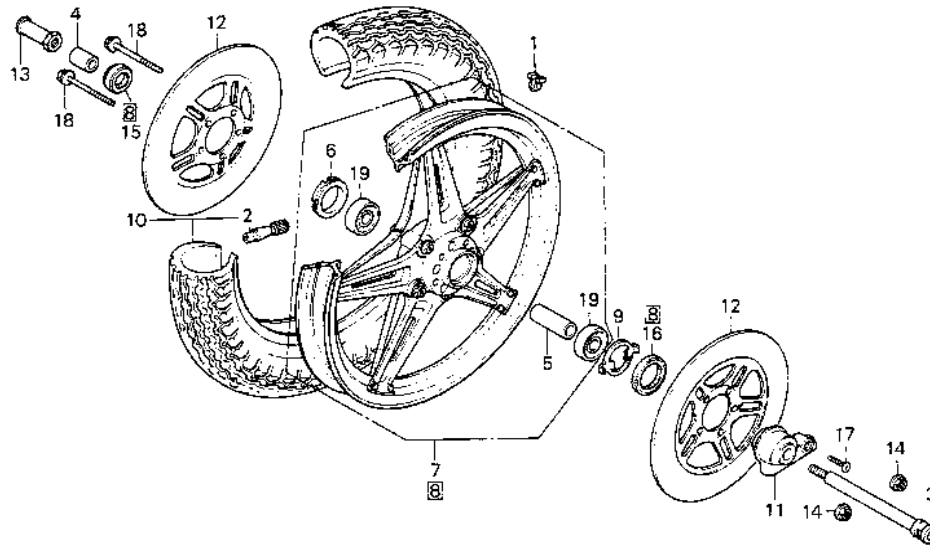
F-10

**Front wheel
(CB900Fz)**

**Roue avant
(CB900Fz)**

**Vorderrad
(CB900Fz)**

**Rueda delantera
(CB900Fz)**



B425-30

Service item	F.R.T.	Ref. No.	Part No.	Description	Reqd. No.		Serial No.	Area code
					CB900 Fz	FA		
		14	90309-357-000	NUT, UBS, 8MM	5			
		15	91252-300-003	DUST SEAL, 22X36X8	1			
		16	91259-410-006	DUST SEAL, 40X50X5	1			
			91258-410-013	DUST SEAL, 40X50X5	1			
		17	93700-05016-0A	SCREW, OVAL, 5X16	1			
		18	95812-03100-00	BOLT, FLANGE, 9X100	5			
		19	96140-63020-10	BEARING, RADIAL BALL, 6302U	2			

G 16

F-10-1

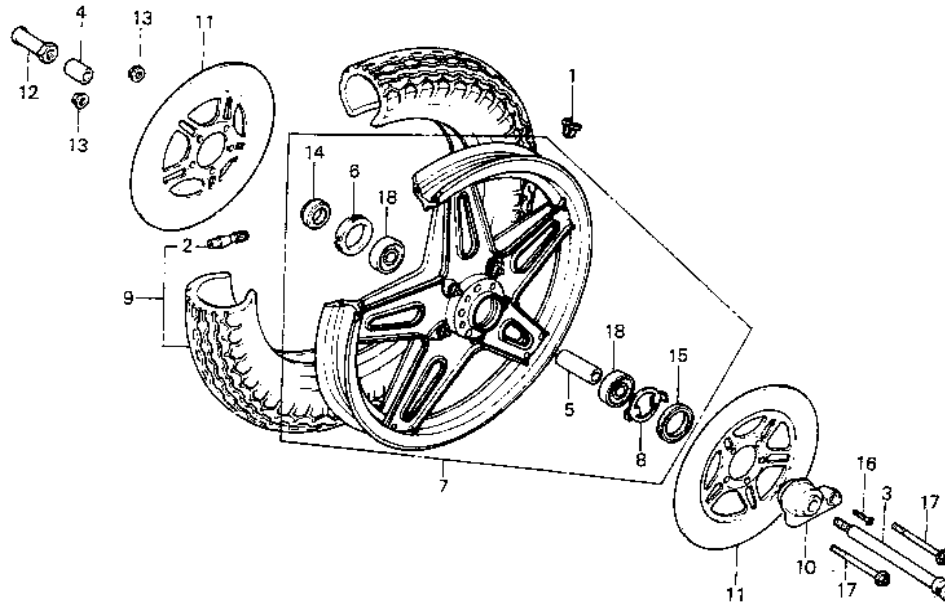
**Front wheel
(CB900FA)**

**Roue avant
(CB900FA)**

**Vorderrad
(CB900FA)**

**Rueda delantera
(CB900FA)**

←FWD



B445-17

Service item	F.R.T.	Ref. No.	Part No.	Description	Reqd. No. CB900 Fz FA	Serial No.	Area code
WEIGHT, BALANCE	0.8	1	42705-410-000	WEIGHT, BALANCE (20G)	N		
AXLE, FR. WHEEL	0.3		42706-410-000	WEIGHT, BALANCE (30G)	N		
BOX ASSY., SPEEDMETER GEAR		2	42753-634-003	VALVE, RIM (95)	1		
DISK, FR. BRAKE			42753-671-962	VALVE, RIM (DUNLOP)	1		
(L. SIDE 0.4.)		3	44301-422-000	AXLE, FR. WHEEL	1		
DUST SEAL, 22X36X8		4	44311-410-000	COLLAR, FR. WHEEL SIDE	1		
COLLAR, FR. WHEEL DISTANCE	0.6	5	44620-410-000	COLLAR, FR. WHEEL DISTANCE	1		
BEARING, RADIAL BALL, 6302U (ADD 0.1 FOR EACH.)		6	44643-300-000	RETAINER, FR. WHEEL BEARING	1		
RETAINER, FR. WHEEL BEARING	0.5	7	44650-445-771	WHEEL COMP., FR.	1		
RETAINER, GEAR BOX		8	44680-410-000	RETAINER, GEAR BOX	1		
WHEEL COMP., FR.	1.0	9	44710-438-003	TIRE ASSY., FR. (8S)	1		
TIRE ASSY., FR.	0.9		44710-438-004	TIRE ASSY., FR. (DUNLOP)	1		
DUST SEAL, 40X50X5	0.4	10	44800-425-013	BOX ASSY., SPEEDMETER GEAR	1		
		11	45251-422-000	DISK, FR. BRAKE	2		
		12	90305-333-000	NUT, AXLE, 12MM	1		
		13	90309-357-000	NUT, UBS, 8MM	5		

H 1

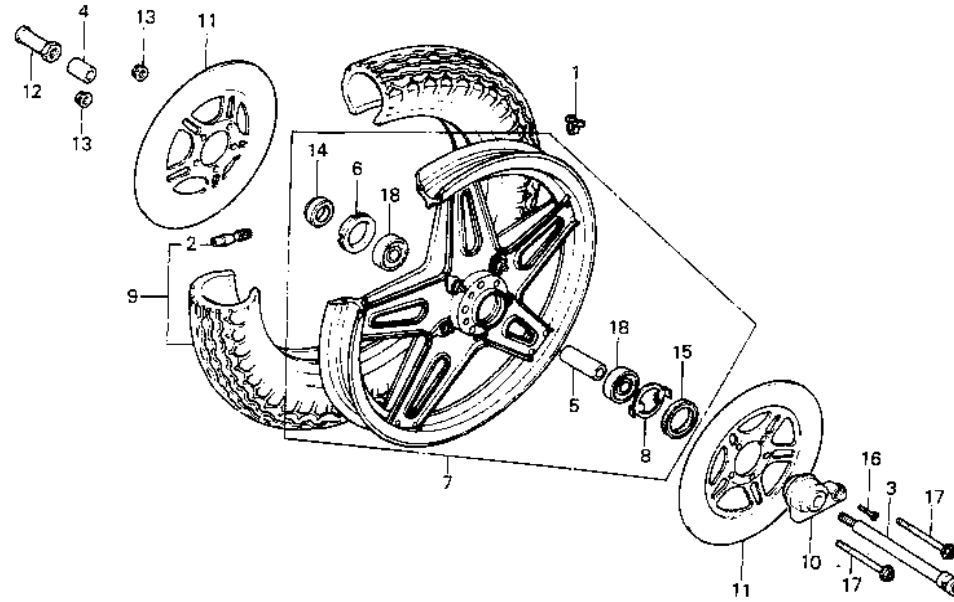
F-10-1

**Front wheel
(CB900FA)**

**Roue avant
(CB900FA)**

**Vorderrad
(CB900FA)**

**Rueda delantera
(CB900FA)**



B445-17

Service item	F.R.T.	Ref. No.	Part No.	Description	Reqd. No. CB900 Fz FA	Serial No.	Area code
		14	91252-300-003	DUST SEAL, 22X36X8	1		
		15	91258-410-006	DUST SEAL, 40X50X5	1		
			91258-410-013	DUST SEAL, 40X50X5	1		
		16	93700-05016-0A	SCREW, DVAL, 5X16	1		
		17	95812-08100-00	BOLT, FLANGE, 8X100	5		
		18	9614C-63020-10	BEARING, RADIAL BALL, 6302U	2		

H 2

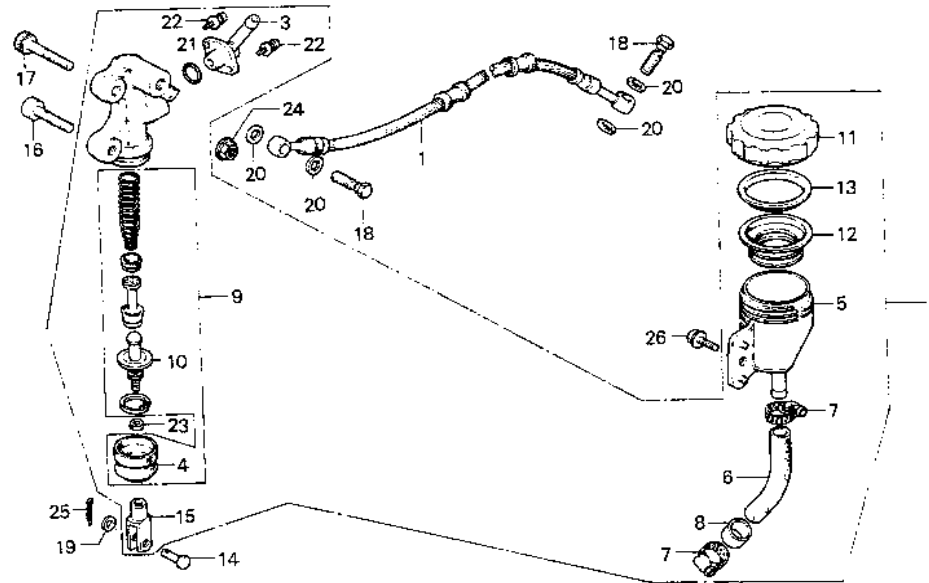
F-11

Rear brake master cylinder

Maitre cylindre de frein arrière

Hinterradbremse-Hauptzylinder

Cilindro maestro de freno trasero



B438-20

Service item	F.R.T.	Ref. No.	Part No.	Description	Reqd. No. CB900 Fz FA	Serial No.	Area code
HOSE, RR. BRAKE	0.4	1	43310-438-013	HOSE, RR. BRAKE	1		
CYLINDER ASSY., RR. BRAKE MASTER	0.5	1	43310-445-771	HOSE, RR. BRAKE	1		
		2	43500-438-611	CYLINDER ASSY., RR. MASTER	1		E, ED, F, G
CUP, MASTER CYLINDER OIL	0.2	2	43500-438-651	CYLINDER ASSY., RR. MASTER	1		DK, DM, SA, U
HOSE, MASTER CYLINDER OIL	0.3		43500-438-612	CYLINDER ASSY., RP. BRAKE	1		E, ED, F, G
CYLINDER SET, MASTER	0.6		43500-438-652	MASTER (NISSHIN) CYLINDER ASSY., RR. BRAKE MASTER (NISSHIN)	1		DK, DM, SA, U
		3	43503-422-006	CONNECTOR, MASTER CYLINDER	1	1	
		4	43504-371-013	BOCT, MASTER CYLINDER	1	1	
		5	43511-422-006	CUP, MASTER CYLINDER OIL	1	1	
		6	43512-438-006	HOSE, MASTER CYLINDER OIL	1	1	
		7	43513-410-003	CLIP, MASTER CYLINDER OIL CUP	2		
			43514-445-771	CLAMP, MASTER CYLINDER OIL	2		
		8	43515-438-000	CAP B, RUBBER	1		
		9	43520-422-305	CYLINDER SET, MASTER	1	1	



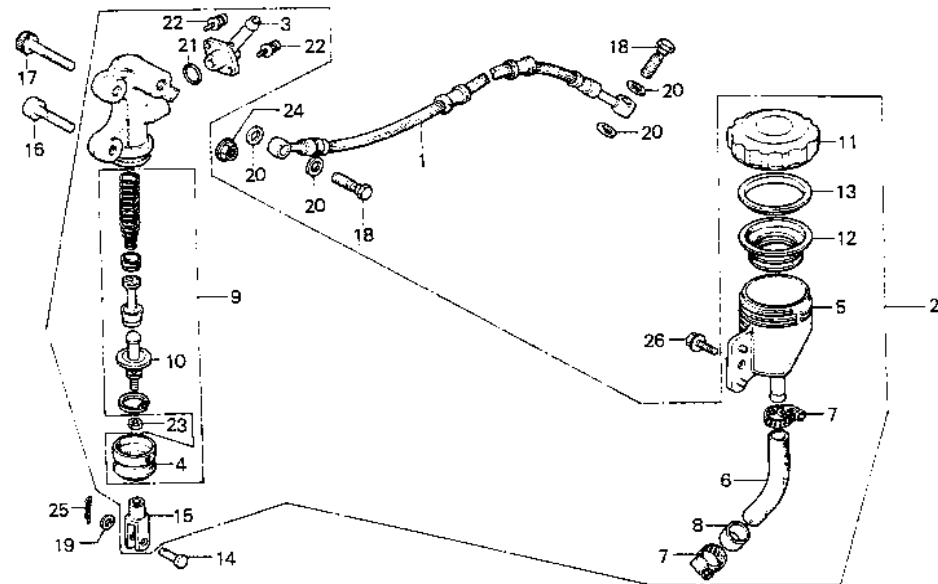
F-11

Rear brake master cylinder

Maitre cylindre de frein arrière

Hinterradbremse-Hauptzylinder

Cilindro maestro de freno trasero



B438-20

Service item	F.R.T.	Ref. No.	Part No.	Description	Reqd. No. CB900 Fz FA	Serial No.	Area code
		10	43530-422-006	ROD COMP., PUSH	1 1		
		11	45513-341-673	CAP, OIL CUP	1		E, ED, F, G
			45513-371-651	CAP, OIL CUP	1 1		DK, DM, SA, U
			43513-469-611	CAP, OIL CUP (NISSHIN)	1		E, ED, F, G
		12	45520-300-000	DIAPHRAGM	1 1		
		13	45521-300-010	PLATE, DIAPHRAGM	1 1		
		14	46503-371-000	PIN, BRAKE ROD	1 1		
		15	46504-371-000	JOINT, BRAKE ROD	1		
			46504-445-771	JOINT, BRAKE ROD	1		
		16	90105-438-000	BOLT, SOCKET, 8X38	1 1		
		17	90106-438-000	BOLT, SOCKET, 8X48	1 1		
		18	90145-300-000	BOLT, OIL	2 2		
		19	90501-310-000	WASHER, 7X12	1 1		
		20	90545-300-000	WASHER, OIL BOLT	4 4		
		21	91212-422-006	O-RING, 14.8X2.4	1 1		
		22	93893-04012-00	SCREW-WASHER, 4X12	2 2		
		23	94002-09000-05	NUT, HEX., 8MM	1 1		

H 4

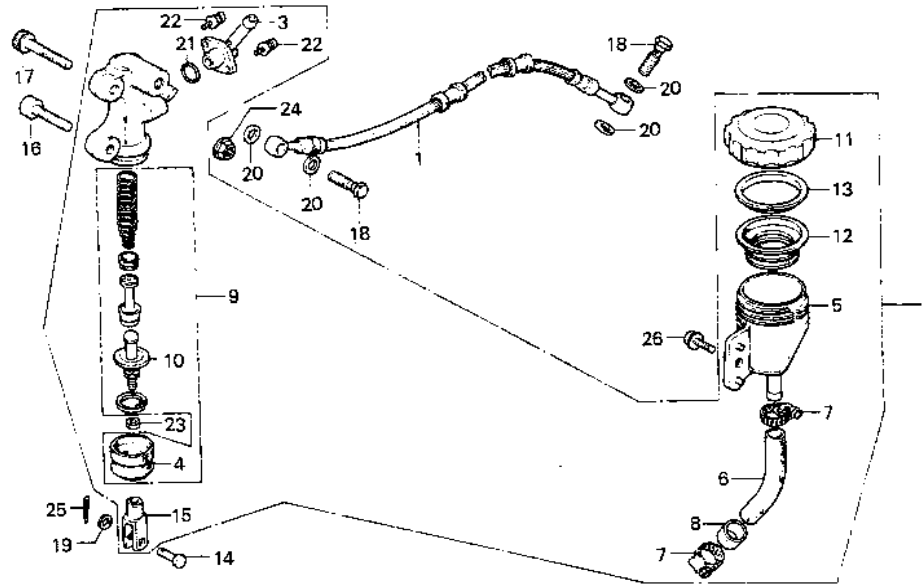
F-11

Rear brake master cylinder

Maitre cylindre de frein arrière

Hinterradbremse-Hauptzylinder

Cilindro maestro de freno trasero



B438-20

Service item	F.R.T.	Ref. No.	Part No.	Description	Reqd. No.		Serial No.	Area code
					CB900	Fz FA		
		24	94050-03000	NUT, FLANGE, 3MM	1	1		
		25	94201-16150	PIN, SPLIT, 1.6X15	1	1		
		26	95700-06016-00	BOLT, FLANGE, 6X16	1	1		



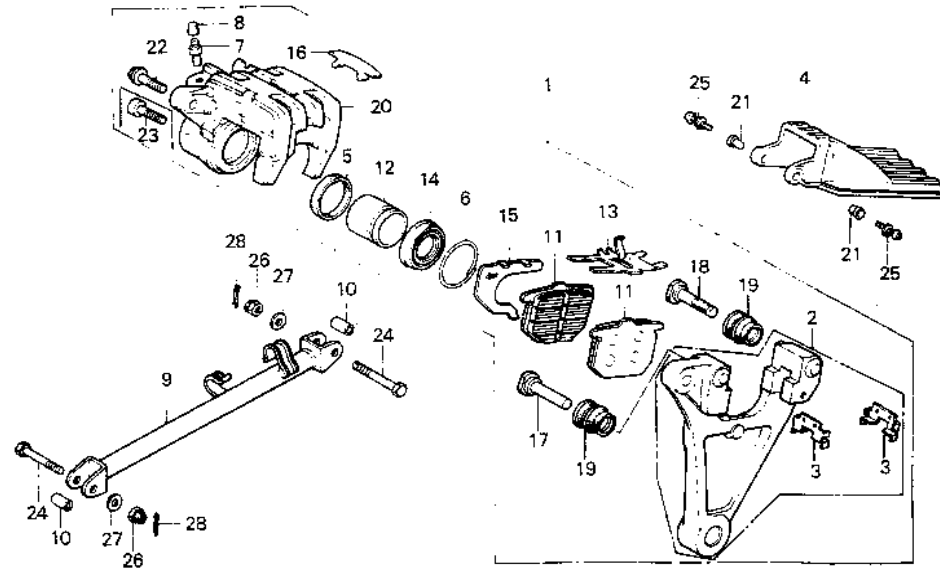
F-12

Rear brake caliper

Etrier de frein arrière

Hinterradbremssattel

Calibrador de freno trasero



B422-31A

Service item	F.R.T.	Ref. No.	Part No.	Description	Reqd. No. CB900 Fz FA	Serial No.	Area code
CALIPER ASSY., RR.	0.5	1	43100-438-006	CALIPER ASSY., RR. (NISSHIN JB)	1		
BRACKET, RR.							
COVER, RR. DISK	0.1		43100-438-007	CALIPER ASSY., RR. (NISSHIN ASK)	1		DK, DM, E, ED, F, G, SA
PAD COMP.							
LINK COMP., TORQUE	0.3		43100-445-771	CALIPER ASSY., RR. (NISSHIN JB)	1		
PISTON	0.4						
INC. RELATIVE PART							
CALIPER, R.		2	43110-410-006	BRACKET, RR.	1	1	
		3	43112-410-006	RETAINER, RR. BRACKET (NISSHIN)	2	2	
		4	43140-410-000	COVER, RR. DISK	1	1	
		5	43209-371-006	SEAL, PISTON	1	1	
		6	43218-371-006	CLIP, DUST COVER	1	1	
		7	43352-568-003	VALVE, BLEEDER	1	1	
		8	43353-548-003	CAP, BLEED SCREW	1	1	
		9	43431-422-000	LINK COMP., TORQUE	1	1	
		10	43435-392-000	COLLAR, LINK	2	2	
		11	45105-438-000	PAD COMP.	2		
			45105-438-004	PAD COMP. (NISSHIN JB)	2		



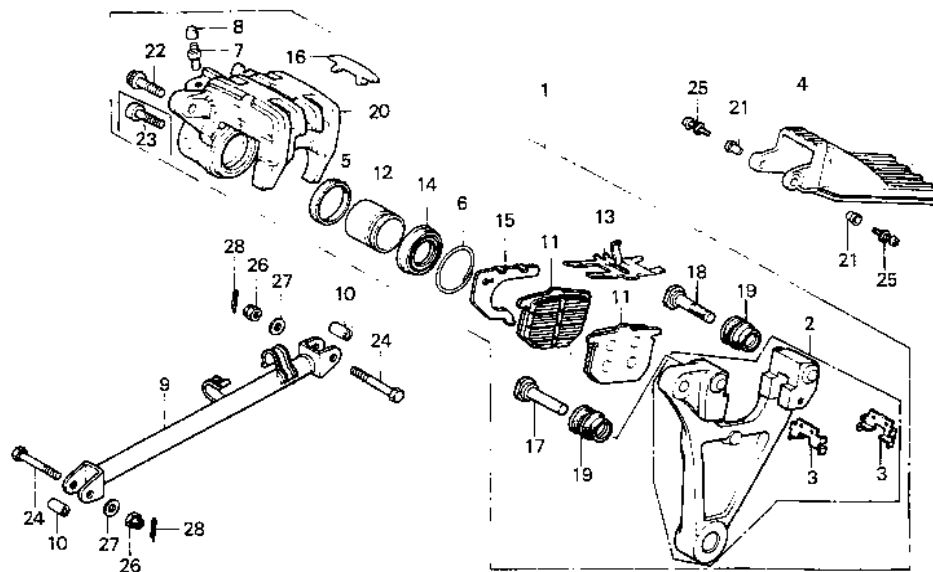
F-12

Rear brake caliper

Etrier de frein arrière

Hinterradbremssattel

Calibrador de freno trasero



9422-31A

Service item	F.R.T.	Ref. No.	Part No.	Description	Reqd. No.		Serial No.	Area code
					CB	FA		
			45105-438-007	PAD COMP. (NISSHIN ASK)	2	2		DK, DM, E, ED, F, G, SA
			45105-415-772	PAD COMP. (NISSHIN JB)	2	2		
		12	45107-410-006	PISTON (NISSHIN)	1	1		
			43107-445-771	PISTON (NISSHIN)	1	1		
		13	45108-410-006	SPRING, PAD (NISSHIN)	1	1		
			45108-415-006	SPRING, PAD	1	1		
		14	45109-371-006	ROOT, PISTON	1	1		
		15	45116-371-006	SHIM B, PAD	1	1		
		16	45119-371-000	CAP, INDICATOR	1	1		
		17	45131-410-006	PIN A (NISSHIN)	1	1		
		18	45132-410-006	PIN B (NISSHIN)	1	1		
		19	45133-371-006	COVER, DUST	2	2		
		20	45201-410-006	CALIPER, R. (NISSHIN)	1	1		
			43101-445-771	BODY, R. CALIPER	1	1		
		21	61304-292-000	COLLAR, HEADLIGHT SETTING	2	2		
		22	90116-410-006	BOLT, 8X25	2	2		



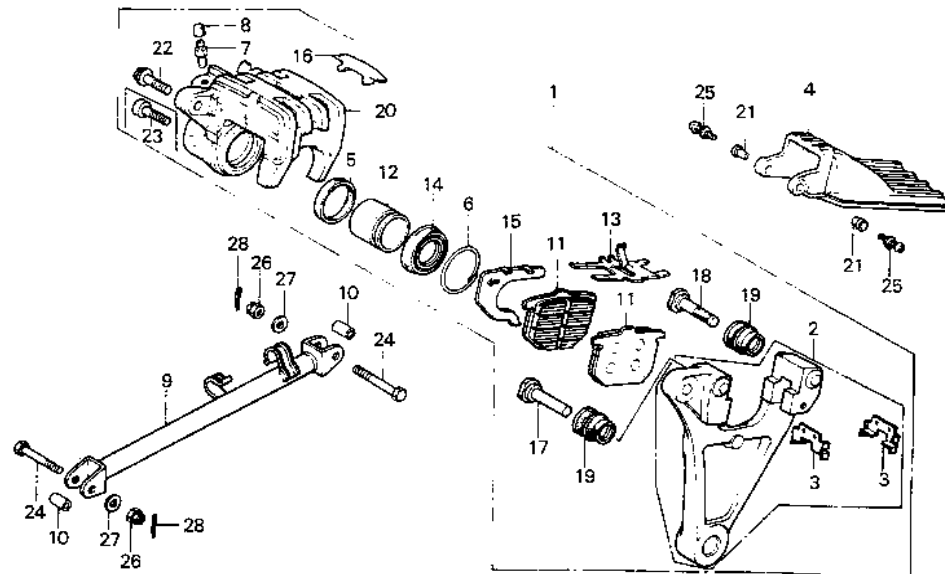
F-12

Rear brake caliper

Etrier de frein arrière

Hinterradbremssattel

Calibrador de freno trasero



B422-31A

Service item	F.R.T.	Ref. No.	Part No.	Description	Reqd. No. CB900 Fz FA	Serial No.	Area code
		23	90116-422-006	BELT, SOCKET, 8X23	2		
		24	90124-392-000	BOLT, RR. BRAKE STOPPER ARM	2	2	
		25	93892-05016-07	SCREW-WASHER, 5X16	1	1	
		26	94011-08000-05	NUT, CASTLE, 8MM	2	2	
		27	94101-08000	WASHER, PLAIN, 8MM	2	2	
		28	94201-20180	PIN, SPLIT, 2.0X18	2	2	



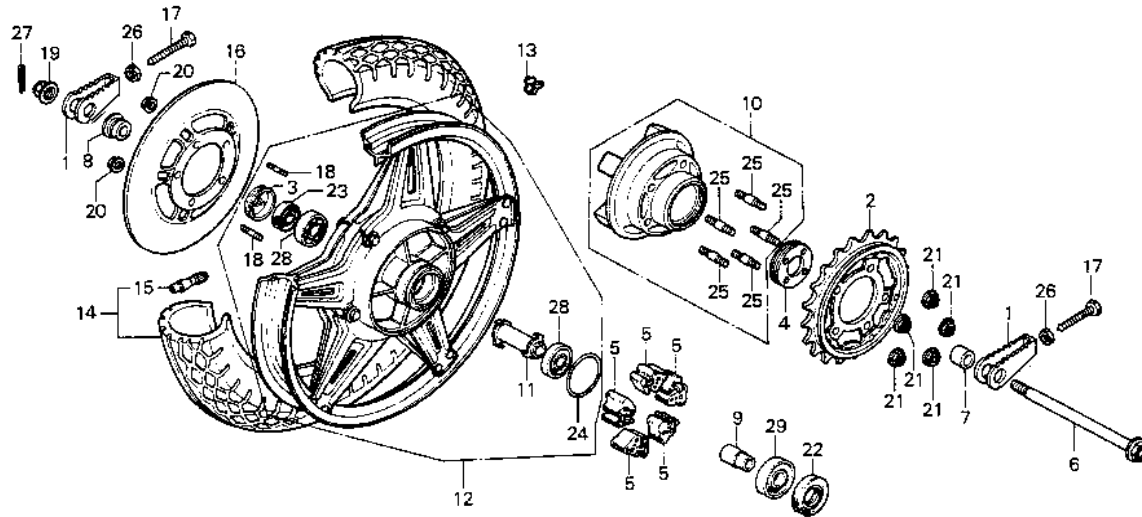
F-13

Rear wheel
(CB900Fz)

Roue arrière
(CB900Fz)

Hinterrad
(CB900Fz)

Rueda trasera
(CB900Fz)



B438-22

Service Item	F.R.T.	Ref. No.	Part No.	Description	Reqd. No. CB900 Fz FA	Serial No.	Area code
SPROCKET COMP., FINAL DRIVEN	0.5	1	40543-438-000	ADJUSTER, DRIVE CHAIN	2		
DISK, RR. BRAKE		2	41200-438-000	SPROCKET COMP., FINAL DRIVEN	1		
DUST SEAL, 30X45X9.5				(44T)			
RETAINER, RR. WHEEL BEARING	0.6	3	41231-286-000	RETAINER, RR. WHEEL BEARING	1		
DAMPER, RR. WHEEL (ONE DR ALL)		4	41231-422-000	RETAINER, RR. WHEEL BEARING	1		
COLLAR, RR. AXLE DISTANCE		5	41241-422-000	DAMPER, RR. WHEEL	5		
BOLT, STUD, 8X45 (ADD 0.1 FOR EACH.)		6	42301-422-000	AXLE, RR. WHEEL	1		
BOLT, STUD, 12X55 (ADD 0.1 FOR EACH.)		7	42311-422-000	COLLAR, RR. WHEEL SIDE	1		
BEARING, RADIAL BALL (ADD 0.1 FOR EACH.)		8	42313-422-000	COLLAR, RR. BRAKE PANEL SIDE	1		
AXLE, RR. WHEEL	0.4	9	42605-393-000	SLEEVE, RR. AXLE	1		
INC. RELATIVE PART		10	42610-422-000	FLANGE ASSY., FINAL DRIVEN	1		
		11	42620-422-010	COLLAR, RR. AXLE DISTANCE	1	2000061	E,ED,F,G,U
		12	42650-422-305	WHEEL COMP., RR.	1		DK,DM,SA
			42650-422-315	WHEEL COMP., RR.	1	2000062	E,ED,F,G,U



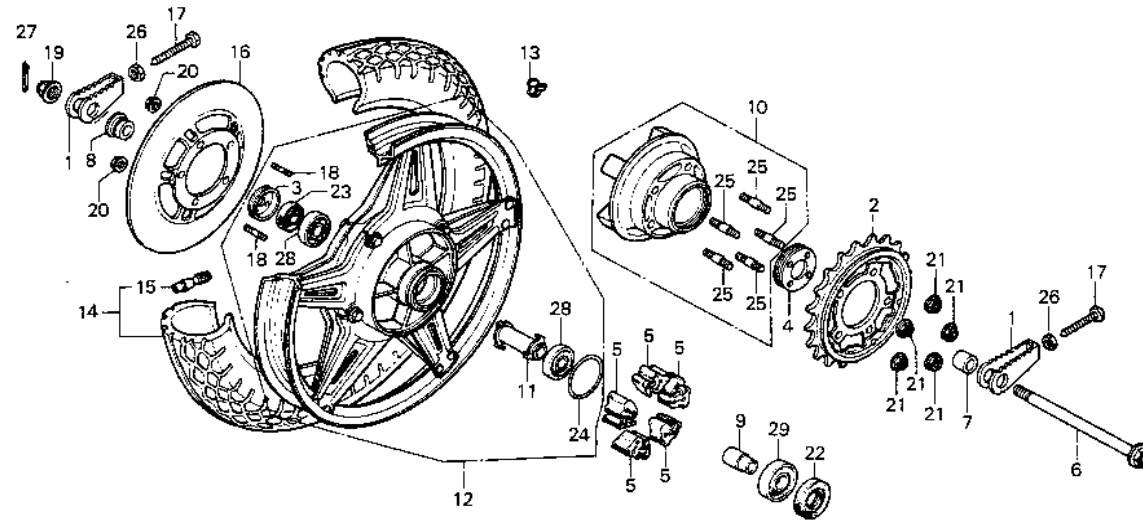
F-13

Rear wheel
(CB900Fz)

Roue arrière
(CB900Fz)

Hinterrad
(CB900Fz)

Rueda trasera
(CB900Fz)



B43B-22

Service item	F.R.T.	Ref. No.	Part No.	Description	Reqd. No. CB900 Fz Fa	Serial No.	Area code
FLANGE ASSY., FINAL DRIVEN	1.0	13	42705-410-000	WEIGHT, BALANCE (20G)	N		
WHEEL COMP., RR.	1.2		42706-410-000	WEIGHT, BALANCE (30G)	N		
WEIGHT, BALANCE	0.9	14	42710-438-0C3	TIRE ASSY., RR. (BS)	1		
TIRE ASSY., RR.	1.1		42710-438-004	TIRE ASSY., RR. (DUNLCP)	1		
		15	42753-634-003	VALVE, RIM (RS)	1		
			42753-671-962	VALVE, RIM (DUNLCP)	1		
		16	43121-422-000	DISK, RR. BRAKE	1		
		17	90119-438-000	BOLT, CHAIN ADJUSTING	2		
		18	90125-329-010	BOLT, STUD, 8X45	5		
		19	90305-393-000	NUT, AXLE, 18MM	1		
		20	90309-357-000	NUT, UBS, 8MM	5		
		21	90309-375-003	NUT, FLANGE, 12MM	5		
		22	90753-233-000	OIL SEAL, 34X55X9	1		
		23	91253-286-013	DUST SEAL, 30X45X9.5	1		
		24	91258-300-013	O-RING, 68X2.6	1		
		25	92716-12055-0F	BOLT, STUD, 12X55	5		
		26	94002-10000-0S	NUT, HEX., 10MM	2		

H 10

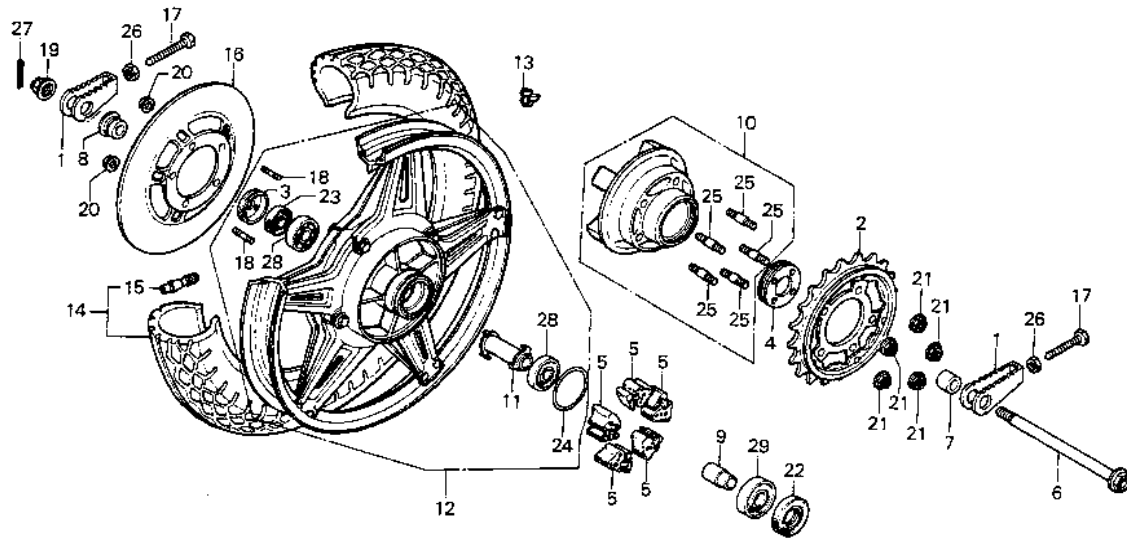
F-13

**Rear wheel
(CB900Fz)**

**Roue arrière
(CB900Fz)**

**Hinterrad
(CB900Fz)**

**Rueda trasera
(CB900Fz)**



B438-22

Service item	F.R.T.	Ref. No.	Part No.	Description	Reqd. No. CB900 Fz FA	Serial No.	Area code
		27	94201-40300	PIN, SPLIT, 4.0X30	1		
		28	96140-63040-10	BEARING, RADIAL BALL, 6304U	2	2000061	E, ED, F, G, U
			96150-63040-10	BEARING, RADIAL BALL, 6304UU	2		DK, DM, SA
					2	2000062	E, ED, F, G, U
		29	96140-63050-10	BEARING, RADIAL BALL, 6305U	1		



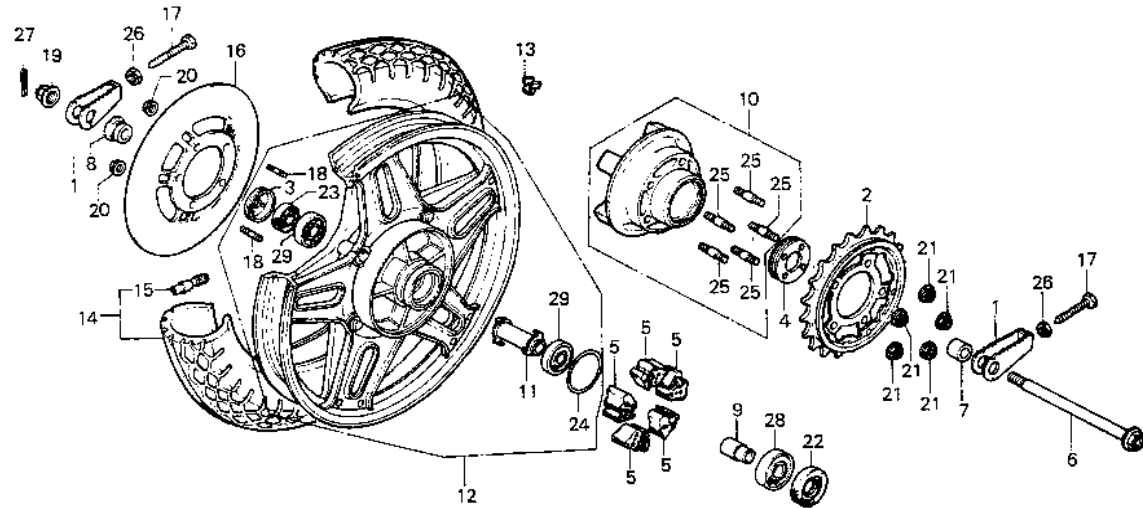
F-13-1

Rear wheel
(CB900FA)

Roue arrière
(CB900FA)

Hinterrad
(CB900FA)

Rueda trasera
(CB900FA)



8445-16

Service item	F.R.T.	Ref. No.	Part No.	Description	Reqd. No. CB900 Fz FA	Serial No.	Area code
SPROCKET COMP., FINAL DRIVEN	0.5	1	40543-438-000	ADJUSTER, DRIVE CHAIN	2		
DISK, RR. BRAKE		2	41260-438-000	SPROCKET COMP., FINAL DRIVEN	1		
DUST SEAL, 30X45X9.5				(44T)			
RETAINER, RR. WHEEL BEARING	0.6	3	41231-286-000	RETAINER, RR. WHEEL BEARING	1		
DAMPER, RR. WHEEL (ONE DR ALL)		4	41231-422-000	RETAINER, RR. WHEEL BEARING	1		
		5	41241-422-000	DAMPER, RR. WHEEL	5		
COLLAR, RR. AXLE DISTANCE		6	42301-422-000	AXLE, RR. WHEEL	1		
BOLT, STUD, 8X45 (ADD 0.1 FOR EACH.)		7	42311-422-000	COLLAR, RR. WHEEL SIDE	1		
BOLT, STUD, 12X55 (ADD 0.1 FOR EACH.)		8	42313-422-000	COLLAR, RR. BRAKE PANEL SIDE	1		
BEARING, RADIAL BALL (ADD 0.1 FOR EACH.)		9	42605-393-000	SLEEVE, RR. AXLE	1		
AXLE, RR. WHEEL	0.4	10	42610-445-770	FLANGE ASSY., DRIVEN	1		
INC. RELATIVE PART		11	42620-422-010	COLLAR, RR. AXLE DISTANCE	1		
		12	42650-445-770	WHEEL COMP., RR.	1		

H 12

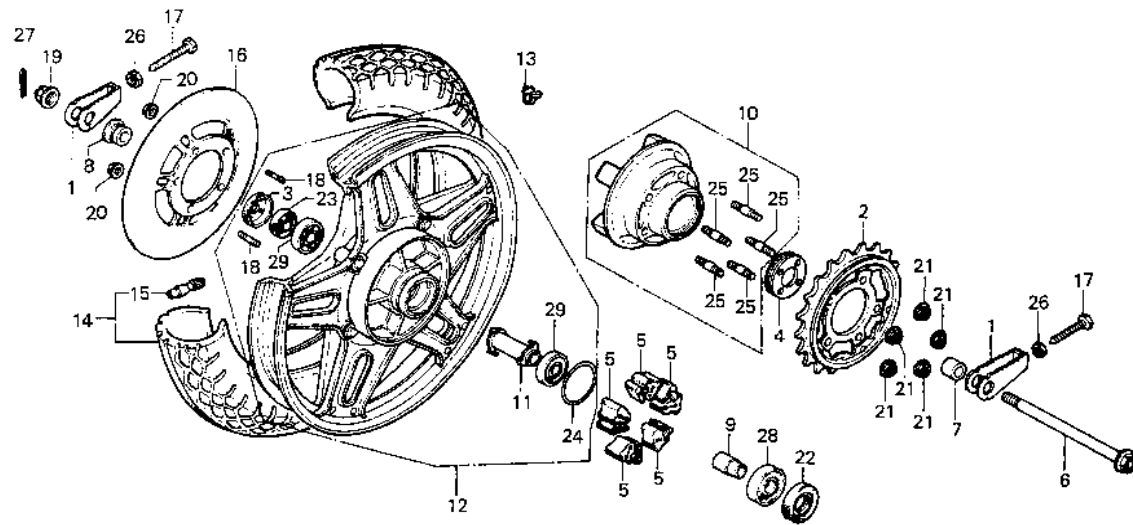
F-13-1

**Rear wheel
(CB900FA)**

**Roue arrière
(CB900FA)**

**Hinterrad
(CB900FA)**

**Rueda trasera
(CB900FA)**



B445-16

Service item	F.R.T.	Ref. No.	Part No.	Description	Reqd. No. CB900 Fz Fa	Serial No.	Area code
FLANGE ASSY., DRIVEN	1.0	13	42705-410-000	WEIGHT, BALANCE (20G)	N		
WHEEL COMP., RR.	1.2		42706-410-000	WEIGHT, BALANCE (30G)	N		
WEIGHT, BALANCE	0.9	14	42710-438-711	TIRE ASSY., RR. (4.00V18-4PR 8S)	1		
TIRE ASSY., RR.	1.1		42710-438-712	TIRE ASSY., RR. (4.00V18-4PR DUNLOP)	1		
		15	42753-634-003	VALVE, RIM (8S)	1		
			42753-671-962	VALVE, RIM (DUNLOP)	1		
		16	43121-422-000	DISK, RR. BRAKE	1		
		17	90119-438-000	BOLT, CHAIN ADJUSTING	2		
		18	90125-329-010	BOLT, STUD, BX45	5		
		19	90305-393-000	NUT, AXLE, 13MM	1		
		20	90309-357-000	NUT, UBS, 8MM	5		
		21	90309-375-003	NUT, FLANGE, 12MM	5		
		22	90753-283-000	OIL SEAL, 34X55X9	1		
		23	91253-286-013	DUST SEAL, 30X45X9.5	1		
		24	91258-300-013	O-RING, 68X2.6	1		

H 13

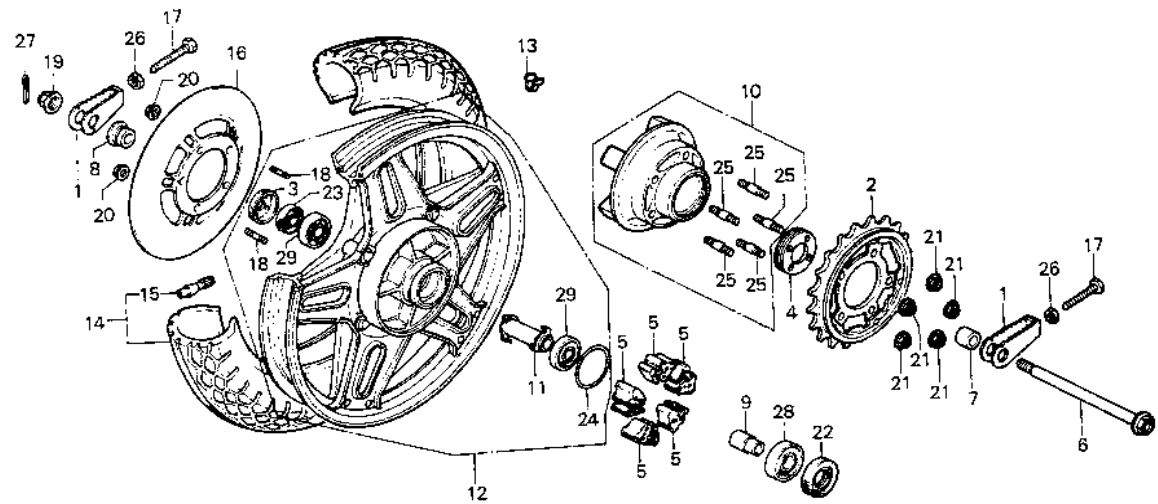
F-13-1

**Rear wheel
(CB900FA)**

**Roue arrière
(CB900FA)**

**Hinterrad
(CB900FA)**

**Rueda trasera
(CB900FA)**



8445-16

Service item	F.R.T.	Ref. No.	Part No.	Description	Reqd. No. CB900 Fz FA	Serial No.	Area code
		25	92716-12055-0E	BOLT, STUD, 12X55	5		
		26	94001-10000-0S	NUT, HEX., 10MM	2		
		27	94201-40300	PIN, SPLIT, 4.0X30	1		
		28	96140-63050-10	BEARING, RADIAL BALL, 6305U	1		
		29	96150-63040-10	BEARING, RADIAL BALL, 6304U	2		

H 14

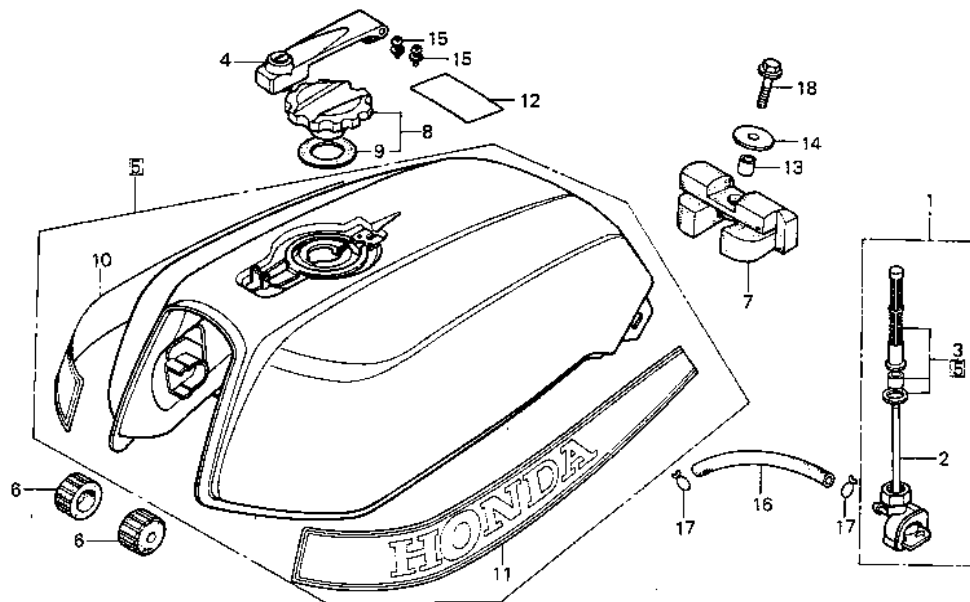
F-14

Fuel tank

Réservoir d'essence

Benzintank

Tanque de combustible



B438-23

Service item	F.R.T.	Ref. No.	Part No.	Description	Reqd. No. CB90 Fz FA	Serial No.	Area code
COCK ASSY., FUEL	0.2	1	16950-438-005	COCK ASSY., FUEL	1	2013156	
INC. RELATIVE PART			16950-438-015	COCK ASSY., FUEL	1	2013157	
LID COMP., FUEL TANK	0.1				1		
TANK SET, FUEL	0.3	2	16951-438-005	BODY COMP., COCK	1	2013157	2013156
			16951-438-015	BODY COMP., COCK	1		
		3	16952-425-005	SCREEN SET, FUEL STRAINER	1		
		4	17530-443-611	LID COMP., FUEL TANK	1		
		5	17540-438-3052A	TANK SET, FUEL *NH-104M-U*	1		
			17540-438-3052B	TANK SET, FUEL *R-33*	1		
			17540-438-3052C	TANK SET, FUEL *PB-107C-U*	1		
			17540-438-3052E	TANK SET, FUEL *NH-1*	1	2011882	E,ED,F,G
			17540-438-7102A	TANK SET, FUEL *NH-104M-U*	1		

H 15

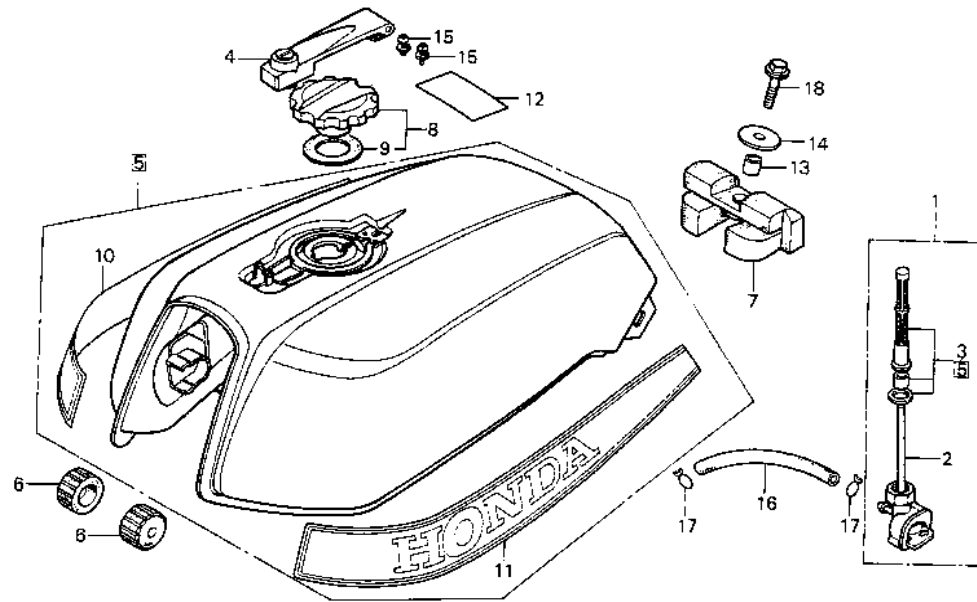
F-14

Fuel tank

Réservoir d'essence

Benzintank

Tanque de combustible



B438-23

Service item	F.R.T.	Ref. No.	Part No.	Description	Reqd. No. CB900 Fz Fa	Serial No.	Area code
			17540-438-7102B	TANK SET, FUEL *R-107C-U*	1		
			17540-438-7102C	TANK SET, FUEL *PB-107C-U*	1		
			17540-438-7102D	TANK SET, FUEL *NH-1*	1		
		6	17611-425-000	CUSHION, FUEL TANK FR.	2	2	
		7	17613-438-000	CUSHION, FUEL TANK RP.	1	1	
		8	17620-422-023	CAP COMP., FUEL FILLER	1		
			17620-449-003	CAP COMP., FUEL FILLER	1		
		9	17632-422-000	PACKING, FUEL FILLER CAP	1	1	
		10	87121-438-300ZA	STRIPE, FUEL TANK R. (T.M.)	1		
				A-07			
			87121-438-7102A	STRIPE, FUEL TANK R. (T.M.)	1		
				NH-104M-U			

H 16

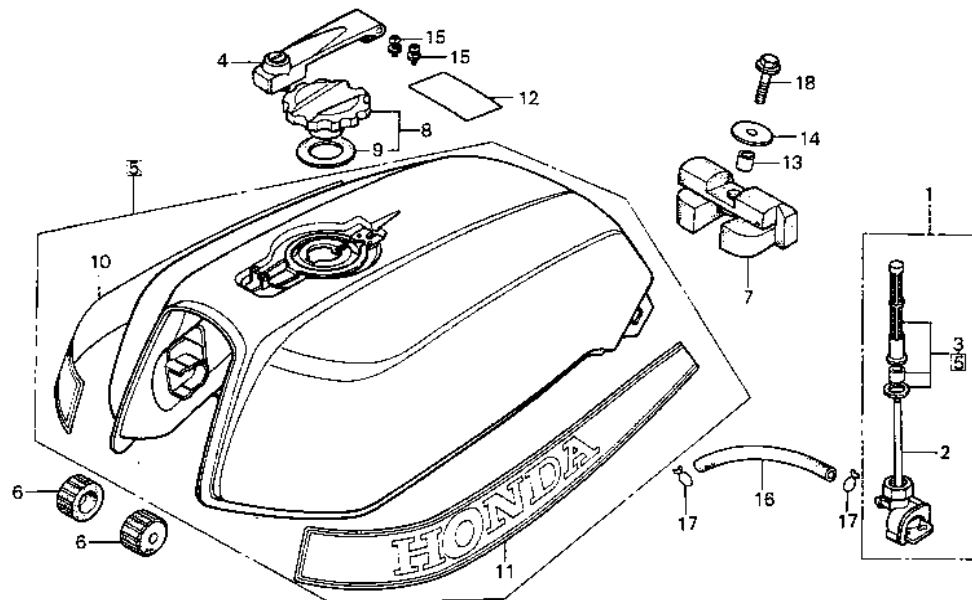
F-14

Fuel tank

Réservoir d'essence

Benzintank

Tanque de combustible



B43B-23

Service item	F.R.T.	Ref. No.	Part No.	Description	Reqd. No. CB900 Fz FA	Serial No.	Area code
			87121-438-710ZB	STRIPE, FUEL TANK R. (T.M.) *R-107C-U*	1		
			87121-438-710ZC	STRIPE, FUEL TANK R. (T.M.) *PB-107C-U*	1		
			87121-438-710ZD	STRIPE, FUEL TANK R. (T.M.) *NH-1*	1		
		11	87122-438-300ZA	STRIPE, FUEL TANK L. (T.M.) *A-07*	1		
			87122-438-710ZA	STRIPE, FUEL TANK L. (T.M.) *NH-104M-U*	1		
			87122-438-710ZB	STRIPE, FUEL TANK L. (T.M.) *R-107C-U*	1		
			87122-438-710ZC	STRIPE, FUEL TANK L. (T.M.) *PB-107C-U*	1		
			87122-438-710ZD	STRIPE, FUEL TANK L. (T.M.) *NH-1*	1		
		12	87560-375-680A	MARK, DRIVE CAUTION	1		DK, DM, E, ED, G, SA, U
			87560-375-680B	MARK, DRIVE CAUTION	1		DK, DM, E, ED, G, SA, U
			87560-425-620ZA	MARK, DRIVE CAUTION *NH-0* (FRENCH)	1		F



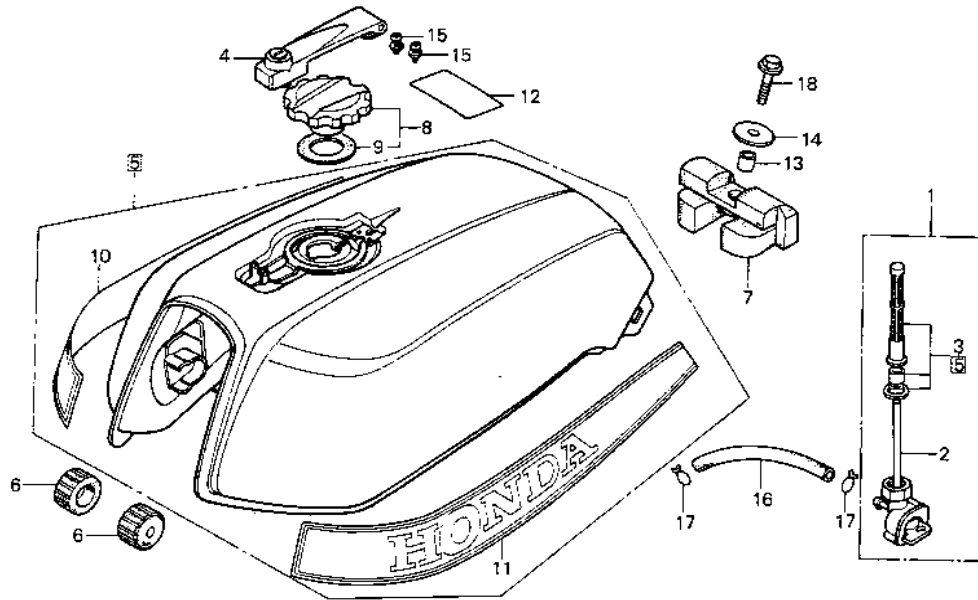
F-14

Fuel tank

Réservoir d'essence

Benzintank

Tanque de combustible



B438-23

Service item	F.R.T.	Ref. No.	Part No.	Description	Reqd. No.		Serial No.	Area code
					CB900	Fz FA		
			87560-425-6202B	MARK, DRIVE CAUTION *NH-1* (FRENCH)	1	1		F
		13	90324-300-000	COLLAP, 8MM	1	1		
		14	90534-011-000	WASHER, 8.3MM	1	1		
		15	93892-04006-00	SCREW-WASHER, 4X6	2	2		
		16	95001-55135-40	TUBE, FUEL, 5.3X135	1		2011792	2011791
			95001-55150-40	TUBE, FUEL, 5.3X150	1			
		17	95002-02100	CLIP B10, TUBE	2	2		
		18	95700-08025-00	CLY, FLANGE, 8X25	1	1		

I 2

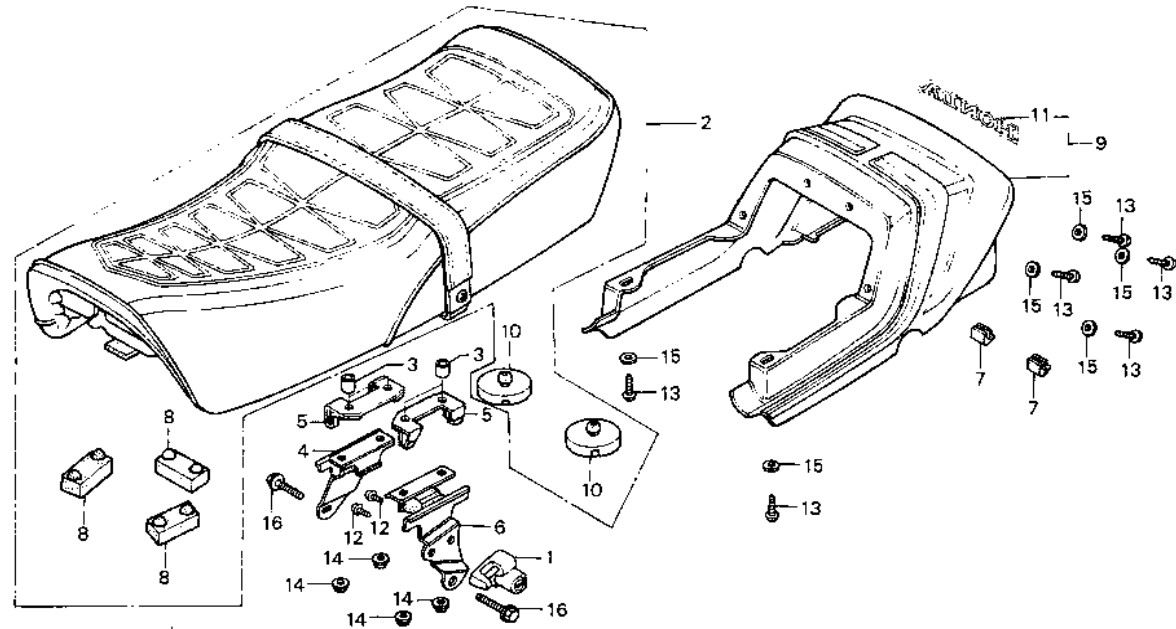
F-15

Seat

Siege

Sitz

Asiento



B438-24

Service item	F.R.T.	Ref. No.	Part No.	Description	Reqd. No. C8900 Fz Fa	Serial No.	Area code
HOLDER ASSY., HELMET	0.1	1	50710-371-007	HOLDER ASSY., HELMET	1 1		
STAY, SEAT RR.		2	77100-438-000	SEAT COMP.	1 1		
SEAT COMP.	0.2	3	77121-438-000	COLLAR, SEAT RR. STAY	4 4		
STAY, R. SEAT RR.		4	77130-438-000	STAY, R. SEAT RR.	1 1		
PLATE, SEAT STOPPER		5	77131-438-000	PLATE, SEAT STOPPER	2 2		
STAY, L. SEAT RR.		6	77140-438-000	STAY, L. SEAT RR.	1 1		
RUBBER, PR. COWL STOPPER		7	77203-438-000	RUBBER, PR. COWL STOPPER	2 2		
RUBBER B, SEAT SETTING		8	77205-286-000	RUBBER B, SEAT SETTING	3 3		
COWL ASSY., RR. *NH-104M-U*		9	77210-438-000ZA	COWL ASSY., RR. *NH-104M-U*	1		
COWL ASSY., RR. *R-33*			77210-438-000ZB	COWL ASSY., RR. *R-33*	1		
COWL ASSY., RR. *PB-107C-U*			77210-438-000ZC	COWL ASSY., RR. *PB-107C-U*	1		
COWL ASSY., RR. *NH-1*			77210-438-000ZE	COWL ASSY., RR. *NH-1*	1	2011882	E,ED,F,G
COWL ASSY., RR. *NH-104M-U*			77210-438-710ZA	COWL ASSY., RR. *NH-104M-U*	1		

I 3

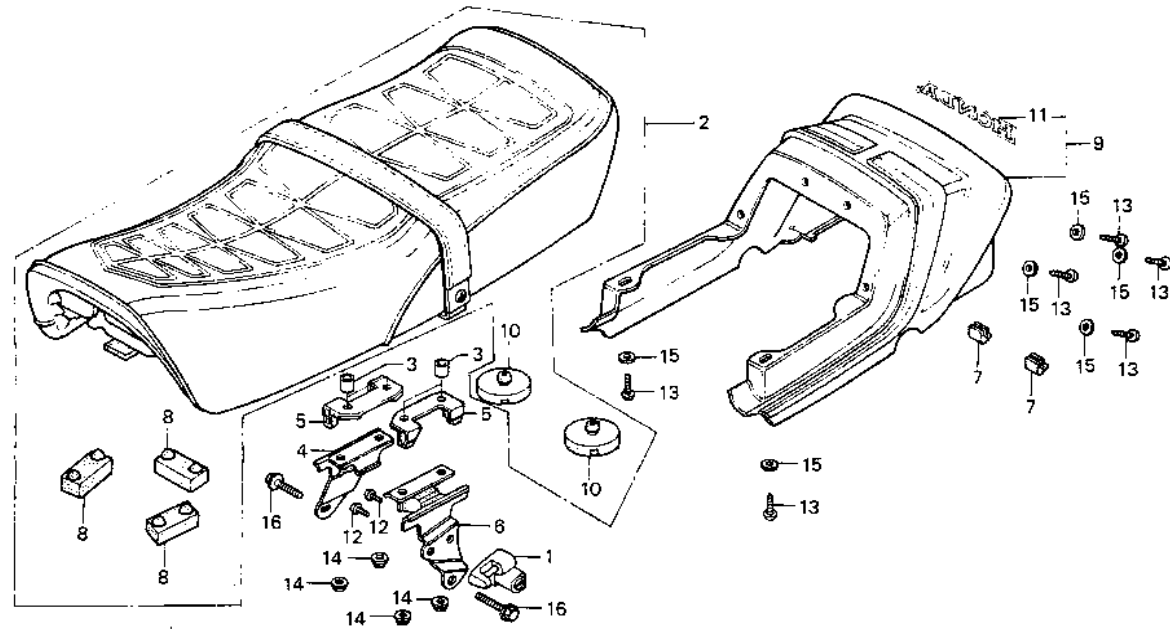
F-15

Seat

Siege

Sitz

Asiento



B438-24

Service item	F.R.T.	Ref. No.	Part No.	Description	Reqd. No. CB900 F2 FA	Serial No.	Area code
			77210-438-710ZB	COWL ASSY., RR. *R-107C-U*	1		
			77210-438-710ZC	COWL ASSY., RR. *PB-107C-U*	1		
			77210-438-710ZD	COWL ASSY., RR. *NF-1*	1		
		10	77211-438-000	RUBBER, SEAT STOPPER	2	2	
		11	87127-438-300	MARK, RR. COWL (A.M.)	1	1	
		12	93892-06010-00	SCREW-WASHER, 6X10	2	2	
		13	93902-25020	SCREW, TAPPING, 5X8	6	6	
		14	94050-06000	NUT, FLANGE, 6MM	4	4	
		15	94101-05800	WASHER, PLAIN, 5MM	6	6	
		16	95700-08016-00	BOLT, FLANGE, 8X16	2	2	



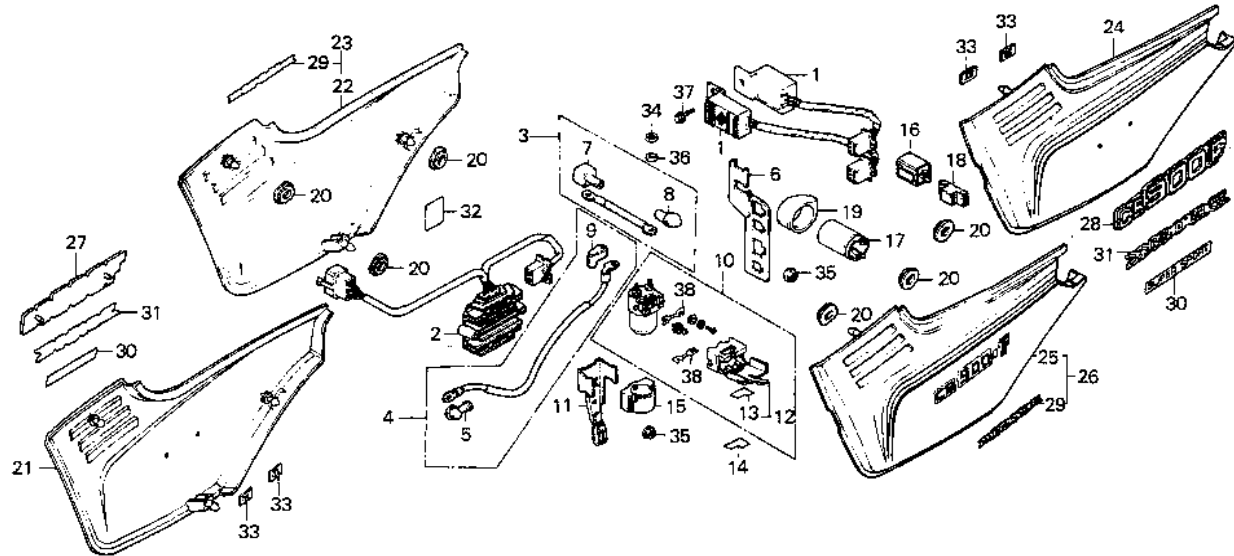
F-16

Side cover • Spark unit •
Regulator

Couvercle latéral •
Unité de étincelle • Régulateur

Seitendeckel • Zündeinheit •
Regler

Cubierta lateral •
Unidad de chispa • Regulador



B438-25A

Service item	F.R.T.	Ref. No.	Part No.	Description	Reqd. No. CB900 Fz Fa	Serial No.	Area code
SPARK UNIT (ONE OR ALL)	0.2	1	30400-425-154	SPARK UNIT	2	2	
CABLE, STARTER BATTERY		2	31600-425-008	RECTIFIER ASSY., REGULATOR	1	1	
HOLDER, COUPLER	0.3	6	32412-425-000	HOLDER, COUPLER	1	1	
SWITCH ASSY., STARTER MAGNETIC	0.4	7	32414-425-000	COVER B, TERMINAL	1	1	
STAY, STARTER MAGNETIC SWITCH	0.1	8	32415-425-000	COVER A, MAGNETIC SWITCH	1	1	
RECTIFIER ASSY., REGULATOR		9	32416-425-000	COVER B, MAGNETIC SWITCH	1	1	
CABLE, STARTER MOTOR		10	35850-425-007	SWITCH ASSY., STARTER MAGNETIC	1	1	
COVER, FUSE		11	35851-425-010	STAY, STARTER MAGNETIC SWITCH	1	1	
RELAY COMP., WINKER		12	35852-425-007	COVER, FUSE	1	1	
COVER ASSY., SIDE		13	35853-425-300	COVER, FUSE	1	1	
INC. RELATIVE PART				LABEL, FUSE COVER	1	1	DK, DM, E, ED, G, SA, U



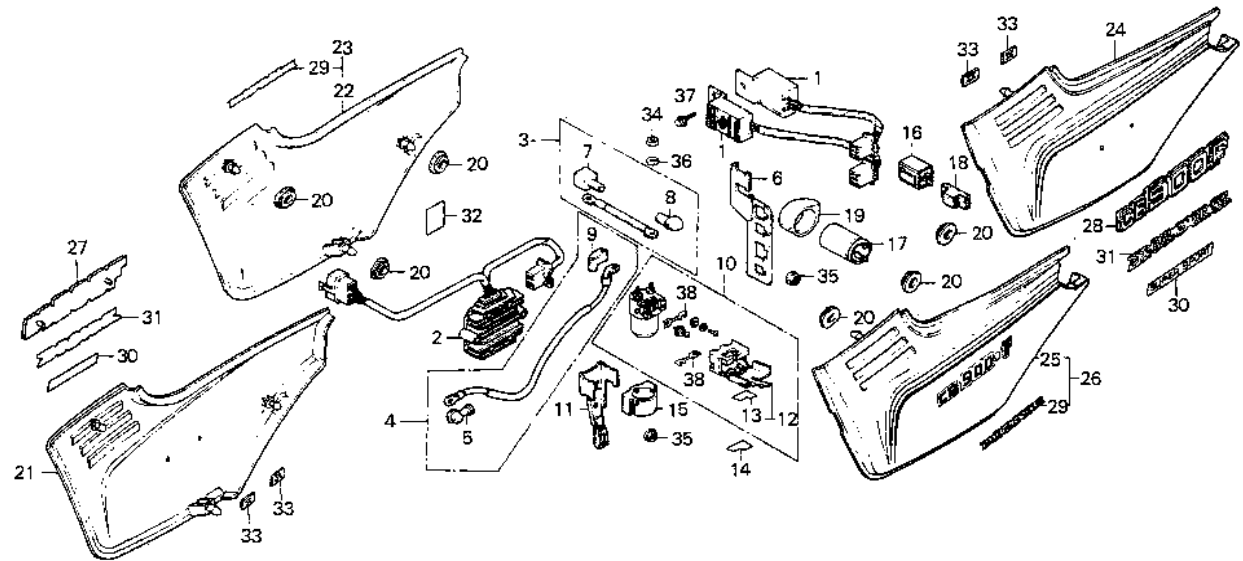
F-16

Side cover • Spark unit •
Regulator

Couvercle latéral •
Unité de étincelle • Régulateur

Seitendeckel • Zündeinheit •
Regler

Cubierta lateral •
Unidad de chispa • Regulador



B438-25A

Service item	F.R.T.	Ref. No.	Part No.	Description	Reqd. No. CB900 Fz Fa	Serial No.	Area code
		14	35853-425-720	LABEL, FUSE COVER (FRENCH)	1		F
		15	35856-425-000	RUBBER, MAGNETIC SHOCK	1		
		16	38301-404-611	RELAY COMP., WINKER (NO)	1		G
		17	38301-404-612	RELAY COMP., WINKER (MITSUBA)	1		G
			38301-415-004	RELAY COMP., WINKER (MITSUBA)	1		DK, DM, E, ED, F, SA, U
		18	38306-404-612	SUSPENSION, WINKER RELAY	1		G
		19	38306-438-000	SUSPENSION, WINKER RELAY	1		
		20	83551-300-000	GROMMET, AIR CLEANER CASE	6		
		21	83610-43E-710ZA	COVER COMP., R. SIDE *NH-104M-U*	1		
			83610-438-710ZB	COVER COMP., R. SIDE *R-107C-U*	1		



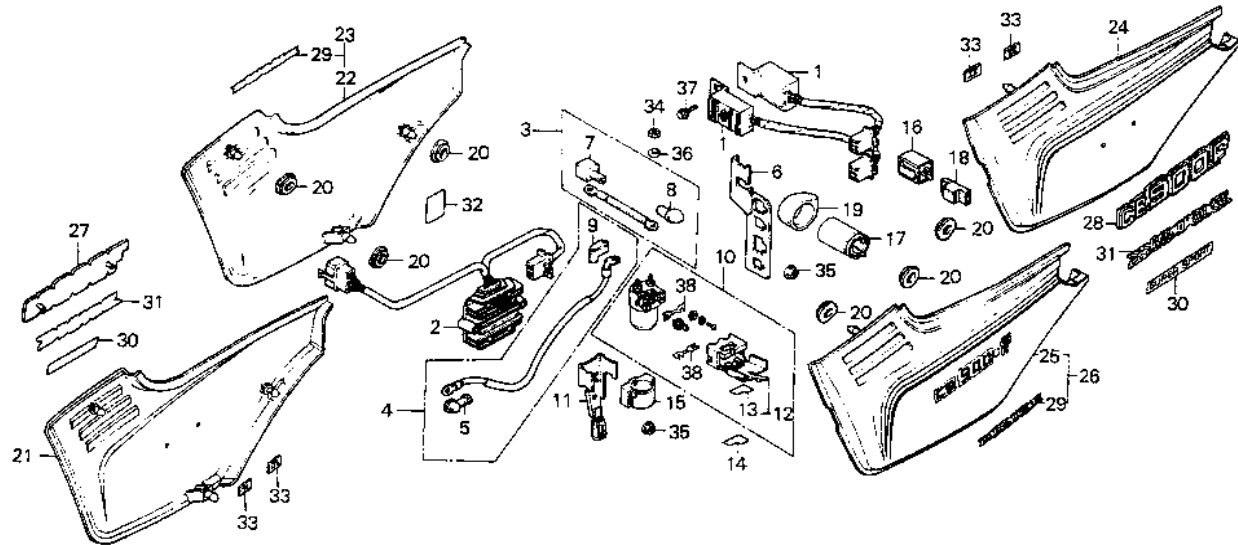
F-16

Side cover • Spark unit •
Regulator

Couvercle latéral •
Unité de étincelle • Régulateur

Seitendeckel • Zündeinheit •
Regler

Cubierta lateral •
Unidad de chispa • Regulador



B438-25A

Service item	F.R.T.	Ref. No.	Part No.	Description	Reqd. No. CB900 Fz. Fa	Serial No.	Area code
			83610-438-7102C	COVER COMP., R. SIDE *PB-107C-U*	1		
			83610-438-7102D	COVER COMP., R. SIDE *NH-1*	1		
		22	83630-438-0002A	COVER ASSY., R. SIDE *NH-104M-U*	1		DK, DM, SA
			83630-438-0002B	COVER ASSY., R. SIDE *R-33*	1		DK, DM, SA
			83630-438-0002C	COVER ASSY., R. SIDE *PB-107C-U*	1		DK, DM, SA
			83630-438-6002A	COVER ASSY., R. SIDE *NH-104M-U*	1		E
			83630-438-6002B	COVER ASSY., R. SIDE *R-33*	1		E
			83630-438-6002C	COVER ASSY., R. SIDE *PB-107C-U*	1		E
			83630-438-6002E	COVER ASSY., R. SIDE *NH-1*	1	2011882	E
		23	83630-438-6202A	COVER ASSY., R. SIDE *NH-104M-U*	1		ED, F, G, U

I 7

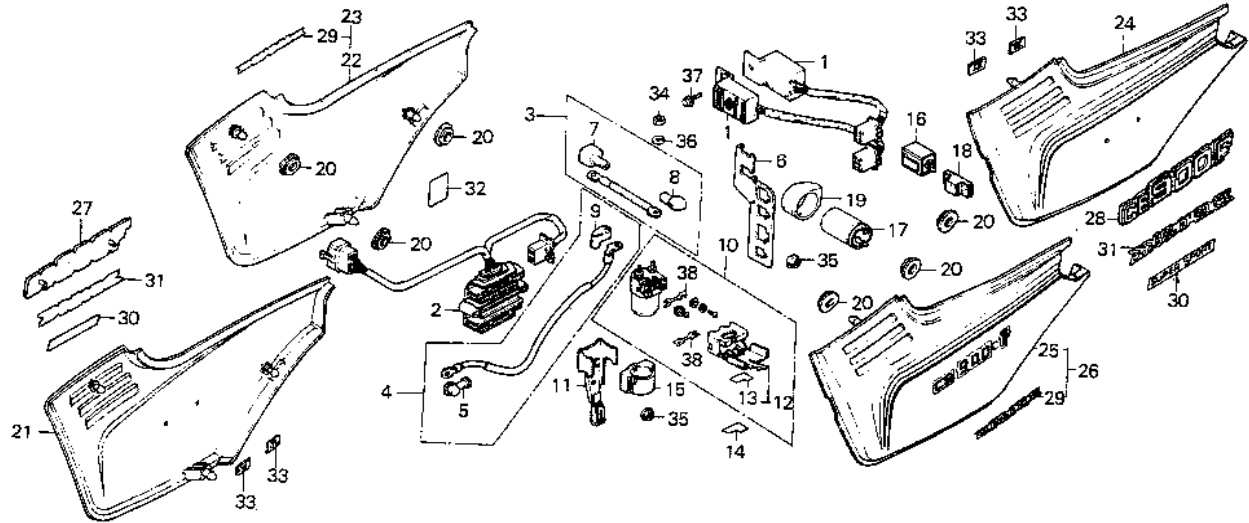
F-16

Side cover • Spark unit •
Regulator

Couvercle latéral •
Unité de étincelle • Régulateur

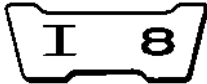
Seitendeckel • Zündeinheit •
Regler

Cubierta lateral •
Unidad de chispa • Regulador



8438-25A

Service item	F.R.T.	Ref. No.	Part No.	Description	Reqd. No. CS800 F2 FA	Serial No.	Area code
			83630-438-620ZB	COVER ASSY., R. SIDE *R-33*	1		ED,F,G,U
			83630-438-620ZC	COVER ASSY., R. SIDE *PB-107C-U*	1		ED,F,G,U
			83630-438-620ZE	COVER ASSY., R. SIDE *NH-1*	1	2011882	ED,F,G
		24	83710-438-710ZA	COVER COMP., L. SIDE *NH-104M-U*	1		
			83710-438-710ZB	COVER COMP., L. SIDE *R-107C-U*	1		
			83710-438-710ZC	COVER COMP., L. SIDE *PB-107C-U*	1		
			83710-438-710ZD	COVER COMP., L. SIDE *NH-1*	1		
		25	83730-438-000ZA	COVER ASSY., L. SIDE *NH-104M-U*	1		DK,DM,SA
			83730-438-000ZB	COVER ASSY., L. SIDE *R-33*	1		DK,DM,SA
			83730-438-000ZC	COVER ASSY., L. SIDE *PB-107C-U*	1		DK,DM,SA



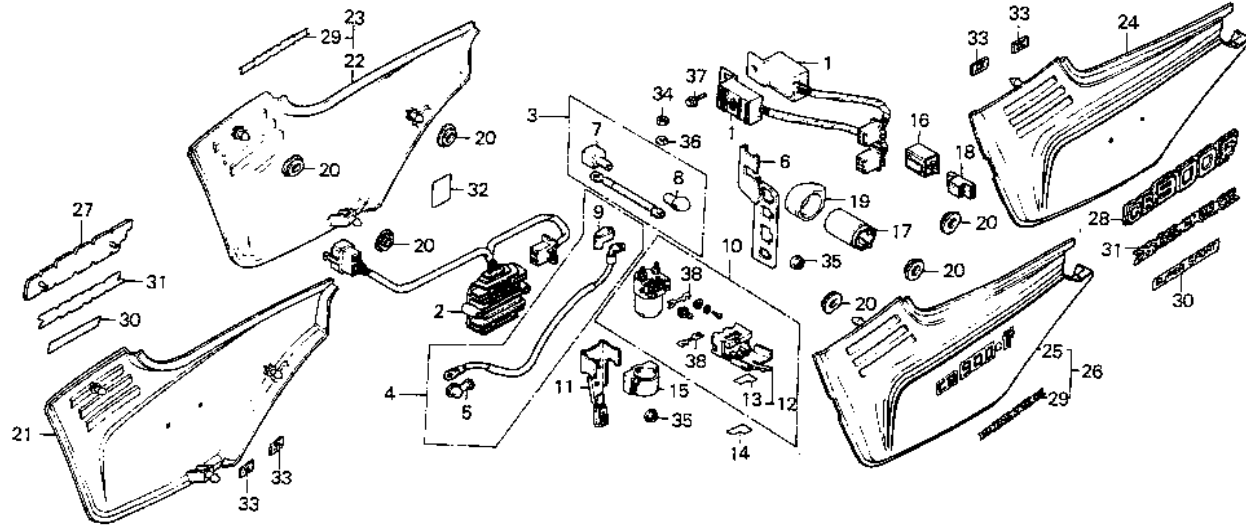
F-16

Side cover • Spark unit •
Regulator

Couvercle latéral •
Unité de étincelle • Régulateur

Seitendeckel • Zündeinheit •
Regler

Cubierta lateral •
Unidad de chispa • Regulador



B438-25A

Service item	F.R.T.	Ref. No.	Part No.	Description	Reqd. No. CB900 Fz FA	Serial No.	Area code
			83730-438-600ZA	COVER ASSY., L. SIDE *NH-104M-U*	1		E
			83730-438-600Z8	COVER ASSY., L. SIDE *R-33*	1		E
			83730-438-600ZC	COVER ASSY., L. SIDE *PB-107C-U*	1		E
			83730-438-600ZE	COVER ASSY., L. SIDE *NH-1*	1	2011882	E
	26		83730-438-620ZA	COVER ASSY., L. SIDE *NH-104M-U*	1		ED,F,G,U
			83730-438-620Z8	COVER ASSY., L. SIDE *R-33*	1		ED,F,G,U
			83730-438-620ZC	COVER ASSY., L. SIDE *PB-107C-U*	1		ED,F,G,U
			83730-438-620ZE	COVER ASSY., L. SIDE *NH-1*	1	2011882	ED,F,G
	27		87123-438-710	EMBLEM, R. SIDE COVER	1		
	28		87124-438-710	EMBLEM, L. SIDE COVER	1		



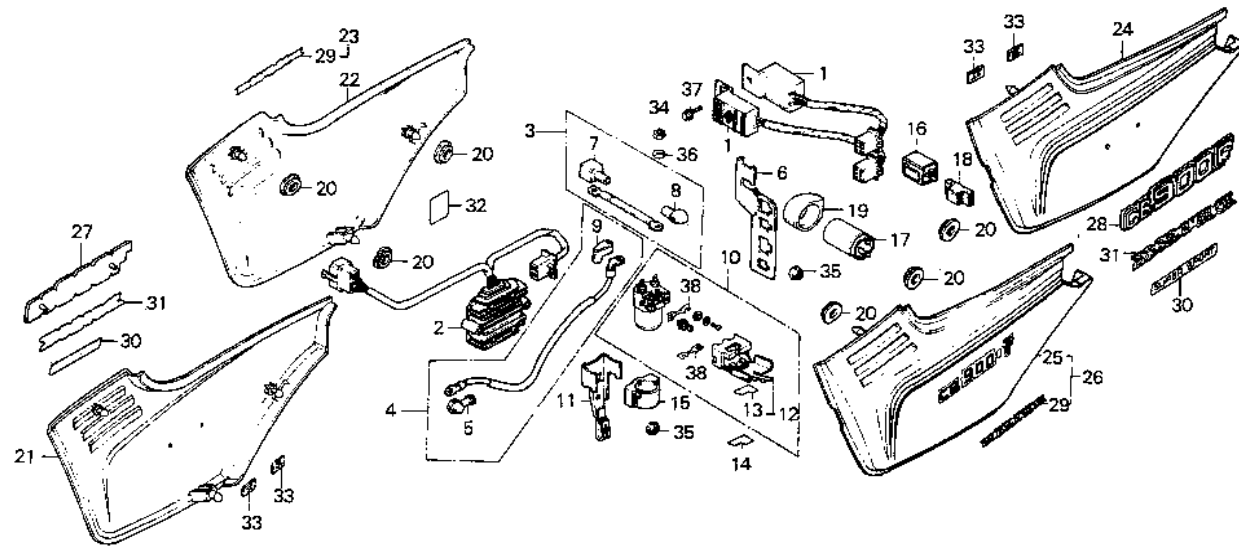
F-16

Side cover • Spark unit •
Regulator

Couvercle latéral •
Unité de étincelle • Régulateur

Seitendeckel • Zündeinheit •
Regler

Cubierta lateral •
Unidad de chispa • Regulador



8438-25A

Service item	F.R.T.	Ref. No.	Part No.	Description	Reqd. No. CB900 Fz FA	Serial No.	Area code
		29	87133-438-620	MARK, SIDE COVER	2		ED, F, G, U
		30	87133-438-700ZA	MARK, SUPER SPORT (A.M.)	2		E
				NH-1			
			87133-438-700ZB	MARK, SUPER SPORT (A.M.)	2		E
				A-73			
		31	87133-438-710	MARK, SIDE COVER (A.M.)	2		ED, F, G, U
		32	87506-425-611	MARK, BATTERY CAUTION	1		DK, DM, E, ED, G, SA, U
			87506-425-621	MARK, BATTERY CAUTION (FRENCH)	1		F
		33	90315-504-000	NUT, SPEED, 3MM	4		
		34	94002-06000	NUT, HEX., 6MM	2		
		35	94050-06000	NUT, FLANGE, 6MM	2		
		36	94111-06000	WASHER, SPRING, 6MM	2		
		37	95700-06012-00	BOLT, FLANGE, 6X12	1		
		38	98200-53000	FUSE F (30A)	2		

I 10

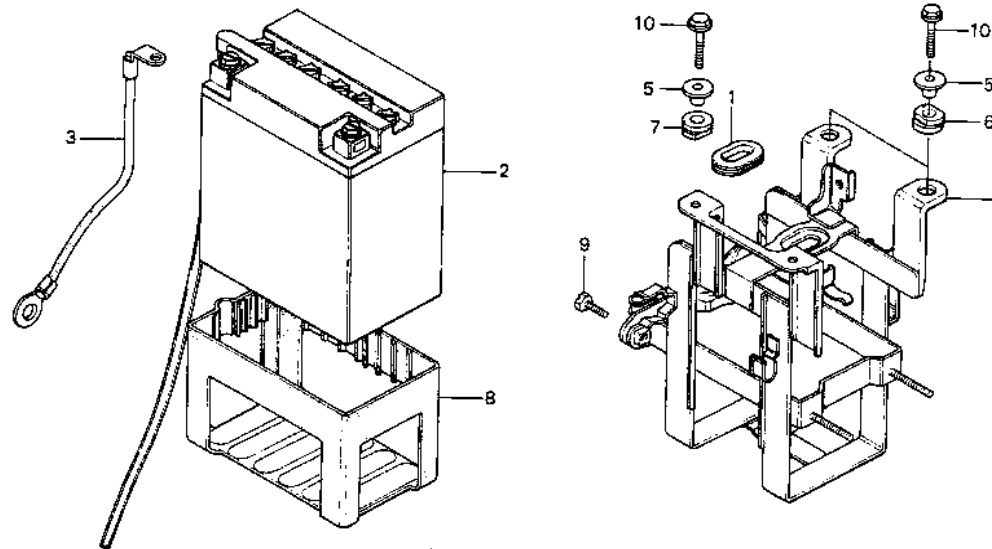
F-17

Battery

Batterie

Batterie

Bateria



B438-26

Service item	F.R.T.	Ref. No.	Part No.	Description	Reqd. No. CB900 Fz Fa	Serial No.	Area code
BATTERY ASSY.	0.2	1	17247-303-000	GROMMET A, AIR CLEANER CASE	1	1	
CABLE, BATTERY EARTH		2	31500-425-601	BATTERY ASSY. (YUASA)	1	1	
BOX ASSY., BATTERY	0.4	3	32601-425-000	CABLE, BATTERY EARTH	1	1	
		4	50320-438-000	BOX ASSY., BATTERY	1	1	
		5	50324-425-010	COLLAR, 6.3X13	4	4	
		6	50328-425-000	RUBBER A, BATTERY BCX	2	2	
		7	50329-425-000	RUBBER B, BATTERY BCX	2	2	
		8	50334-425-000	CUSHION, BATTERY	1	1	
		9	92300-06012	BOLT, SLOTTED, 6X12	1	1	
		10	95700-06025-00	BOLT, FLANGE, 6X25	4	4	

I 11

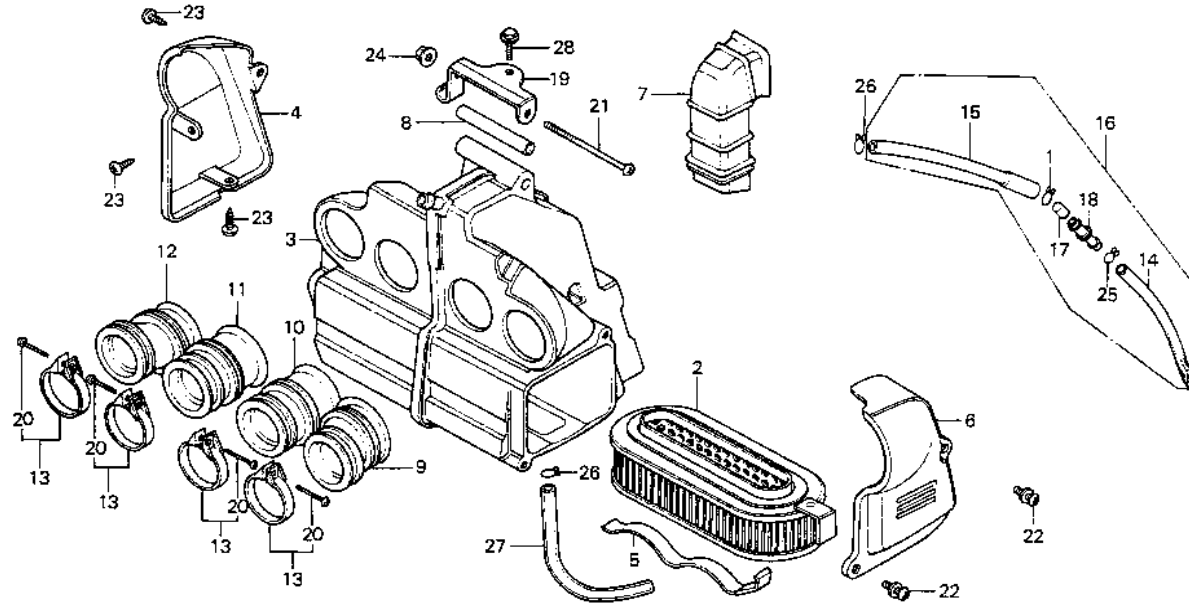
F-18

Air cleaner

Filtre à air

Luftfilter

Limpiador de aire



B438-27

Service item	F.R.T.	Ref. No.	Part No.	Description	Reqd. No. CS90 FZ FA	Serial No.	Area code
ELEMENT, AIR CLEANER	0.2	1	15772-292-010	CLIP, BREATHER TUBE	1	1	
CASE COMP., AIR CLEANER	1.0	2	17211-425-000	ELEMENT, AIR CLEANER	1	1	
DUCT, AIR CLEANER IN.	0.3	3	17213-438-000	CASE COMP., AIR CLEANER	1	1	
TUBE AIR CLEANER CONNECTING (ADD 0.1 FOR EACH.)	0.6	4	17222-438-000	COVER, R. AIR CLEANER	1	1	
		5	17223-425-000	SPRING, ELEMENT SETTING	1	1	
		6	17230-438-000	COVER COMP., L. AIR CLEANER	1	1	
		7	17240-425-670	DUCT, AIR CLEANER IN.	1	1	
		8	17248-425-000	COLLAR, AIR CLEANER	1	1	
		9	17251-438-000	TUBE 1, AIR CLEANER CONNECTING	1	1	
		10	17252-438-000	TUBE 2, AIR CLEANER CONNECTING	1	1	
		11	17253-438-000	TUBE 3, AIR CLEANER CONNECTING	1	1	

I 12

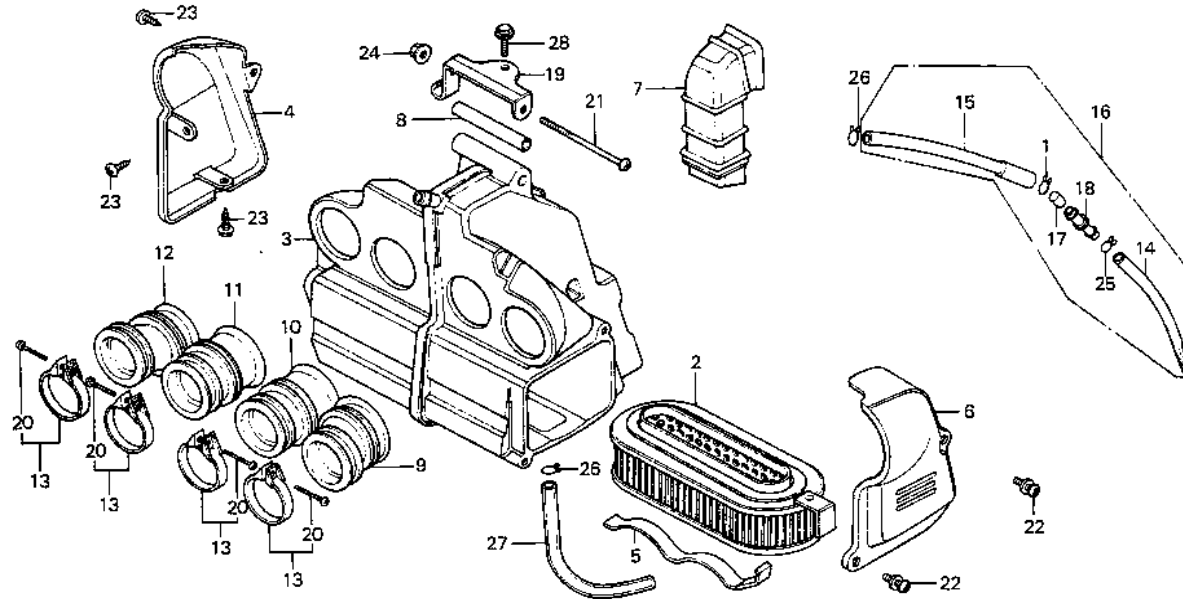
F-18

Air cleaner

Filtre à air

Luftfilter

Limpiador de aire



B438-27

Service item	F.R.T.	Ref. No.	Part No.	Description	Reqd. No. CB900 Fz FA	Serial No.	Area code
		12	17254-438-000	TUBE 4, AIR CLEANER CONNECTING	1 1		
		13	17256-425-010	BAND ASSY., AIR CLEANER CONNECTING TUBE	4 4		
		14	17336-425-610	TUBE, DRAIN	1 1		
		15	17356-425-610	TUBE A, DRAIN	1 1		
		16	17358-425-611	TUBE ASSY., DRAIN	1 1		
		17	17367-413-690	FILTER, DRAIN TUBE	1 1		
		18	17373-425-610	JOINT, DRAIN TUBE	1 1		
		19	17375-425-000	STAY, AIR CLEANER HANGER	1 1		
		20	93500-05025-0G	SCREW, PAN, 5X25	4 4		
		21	93500-06070	SCREW, PAN, 6X70	1 1		
		22	93891-05016-07	SCREW-WASHER, 5X16	2 2		
		23	93903-24380	SCREW, TAPPING, 4X12	3 3		
		24	94050-06000	NUT, FLANGE, 6MM	1 1		
		25	95002-02130	CLIP 812.5, TUBE	1 1		
		26	95002-80000	CLIP C12, TUBE	2 2		

I 13

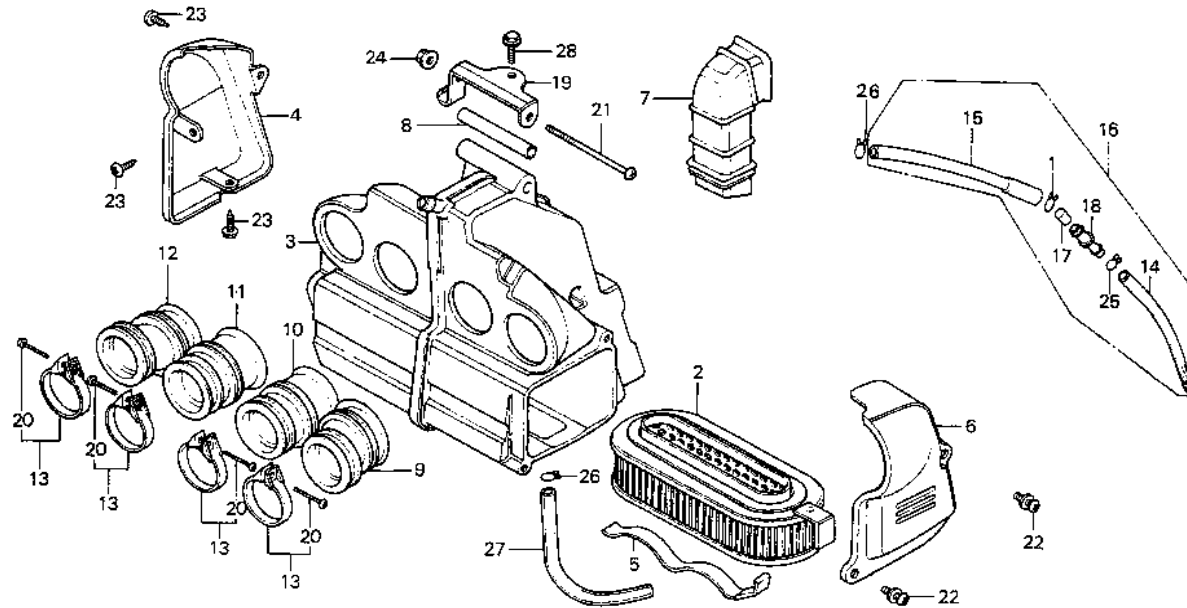
F-18

Air cleaner

Filtre à air

Luftfilter

Limpiador de aire



B438-27

Service item	F.R.T.	Ref. No.	Part No.	Description	Reqd. No. CB900 Fz FA	Serial No.	Area code
		27	95003-23036-10	TUBE, VINYL, 8X12X360	1 1		
		28	95700-06016-00	BULT, FLANGE, 6X16	1 1		

I 14

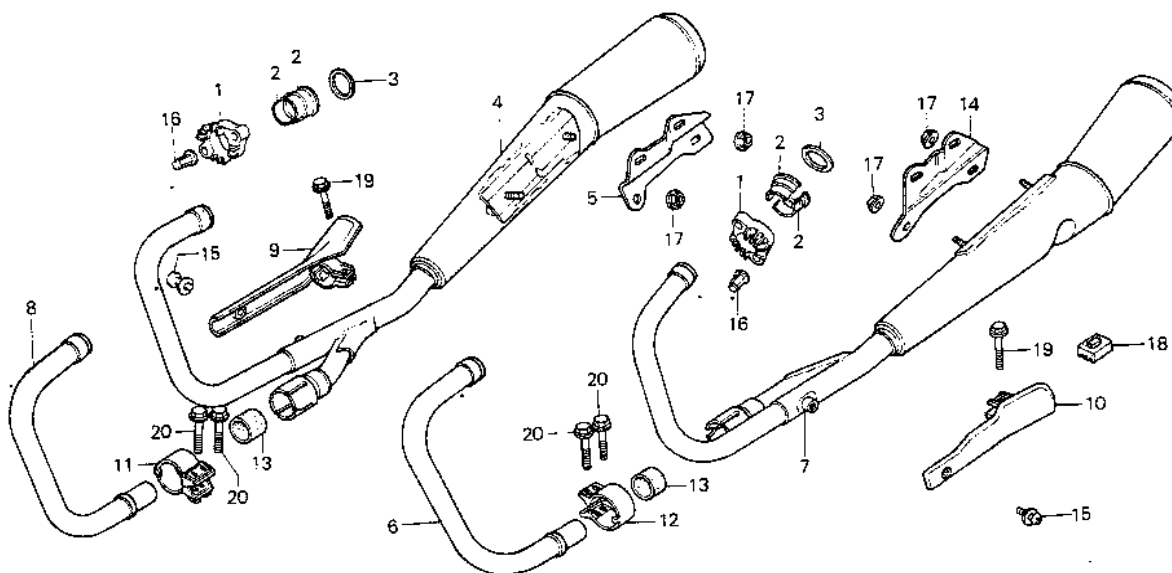
F-19

Exhaust muffler

Pot d'échappement

Auspufftopf

Silenciador



B438-28

Service item	F.R.T.	Ref. No.	Part No.	Description	Reqd. No.		Serial No.	Area code
					CB900	Fz FA		
GASKET, EX. PIPE	0.2	1	18231-438-000	JOINT, EX. PIPE	4	4		
STAY, MUFFLER		2	18233-436-000	COLLAR, EX. PIPE JOINT	8	8		
PIPE EX.		3	18291-254-000	GASKET, EX. PIPE	4	4		
PROTECTOR, MUFFLER JOINT		4	18315-438-000	MUFFLER COMP., R. EX.	1		2007671	DK, DM, E, F, G, SA, U
PACKING, MUFFLER			18315-438-640	MUFFLER COMP., R. EX.	1		2007771	ED
MUFFLER COMP., EX.	0.3		18315-438-010	MUFFLER COMP., R. EX.	1		2007672	DK, DM, E, F, G, SA, U
			18315-438-641	MUFFLER COMP., R. EX.	1		2007772	ED
		5	18316-436-000	STAY, R. MUFFLER	1	1		ED
		6	18320-438-000	PIPE 2, EX.	1	1		
		7	18325-438-000	MUFFLER COMP., L. EX.	1		2007671	DK, DM, E, F, G, SA, U
			18325-438-640	MUFFLER COMP., L. EX.	1		2007771	ED
			18325-438-010	MUFFLER COMP., L. EX.	1		2007672	DK, DM, E, F, G, SA, U
						1		DK, DM, E, F, G, SA, U

I 15

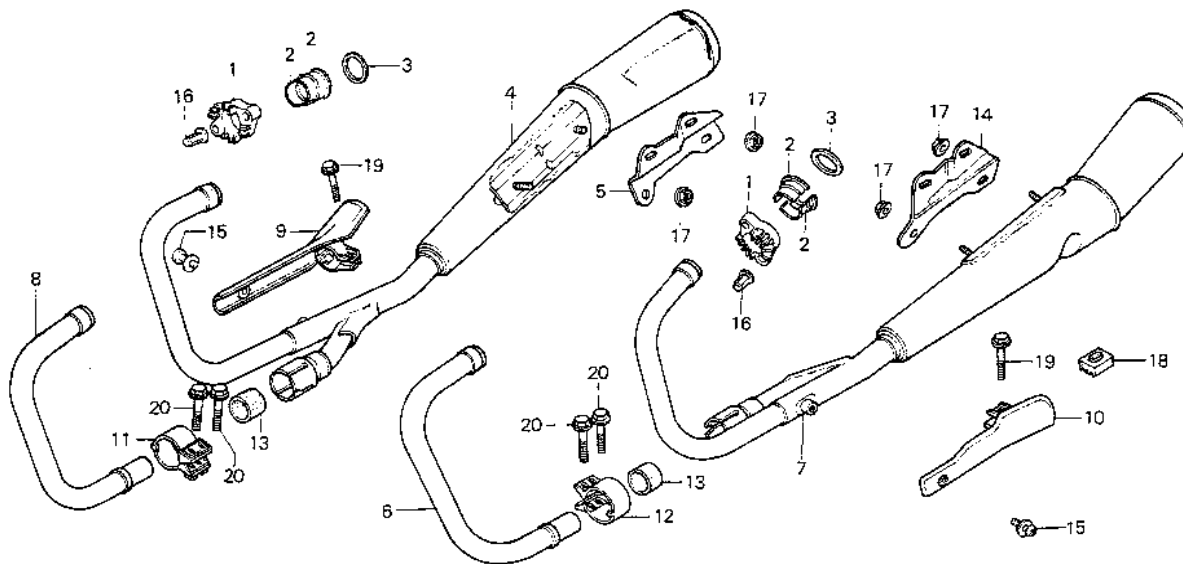
F-19

Exhaust muffler

Pot d'échappement

Auspufftopf

Silenciador



9438-28

Service item	F.R.T.	Ref. No.	Part No.	Description	Reqd. No.		Serial No.	Area code
					C8900	Fz FA		
			18325-438-641	MUFFLER COMP., L. EX.	1		2007772	ED
		8	18340-438-000	PIPE 3, EX.	1	1		ED
		9	18345-438-000	PROTECTOR, R. MUFFLER JOINT	1	1		
		10	18355-438-000	PROTECTOR, L. MUFFLER JOINT	1	1		
		11	18373-438-000	BAND, R. MUFFLER	1	1		
		12	18374-438-000	BAND, L. MUFFLER	1	1		
		13	19391-438-000	PACKING, MUFFLER	2	2		
		14	19416-438-000	STAY, L. MUFFLER	1	1		
		15	90136-425-871	SCREW-WASHER, 6X10	2	2		
		16	90304-438-000	NUT, CAP, 6MM	8	8		
		17	94050-08000	NUT, FLANGE, 8MM	4	4		
		18	95011-61000	RUBBER A. STAND STOPPER	1	1		
		19	95700-06025-00	BOLT, FLANGE, 6X25	2	2		
		20	95700-08032-00	BOLT, FLANGE, 8X32	4	4		

I 16

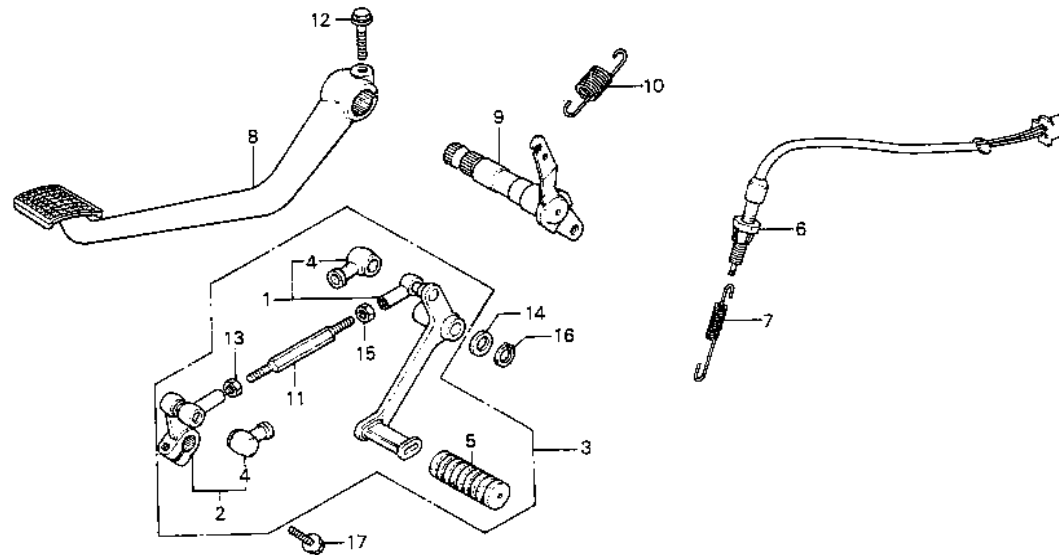
F-20

Brake pedal • Change pedal

Pédale de frein •
Pédale de changement

Bremspedal • Schaltpedal

Pedal de freno •
Pedal de cambio



B438-29

Service item	F.R.T.	Ref. No.	Part No.	Description	Reqd. No. CBS00 Fz Fa	Serial No.	Area code
PEDAL COMP., GEAR CHANGE	0.1	1	24700-426-610	PEDAL COMP., GEAR CHANGE	1 1		
INC. RELATIVE PART		2	24710-425-610	ARM COMP., GEAR CHANGE	1 1		
SPRING, STOP SWITCH		3	24720-426-610	PEDAL ASSY., GEAR CHANGE	1 1		
PEDAL COMP., RR. BRAKE		4	24724-424-000	COVER, DUST	2 2		
SWITCH ASSY., RR. STOP	0.2	5	24781-419-000	RUBBER, GEAR CHANGE	1 1		
SPINDLE COMP., RR. BRAKE	0.4	6	35350-438-000	SWITCH ASSY., RR. STOP	1 1		
SPRING, BRAKE PEDAL	0.3	7	35357-425-610	SPRING, STOP SWITCH	1 1		
		8	46500-438-000	PEDAL COMP., RR. BRAKE	1 1		
		9	46510-438-000	SPINDLE COMP., RR. BRAKE	1 1		
		10	46514-438-000	SPRING, BRAKE PEDAL	1 1		
		11	90065-425-610	BOLT, TIE ROD	1 1		
		12	90183-438-000	BOLT, SPECIAL FLANGE, 8X26	1 1		

J 1

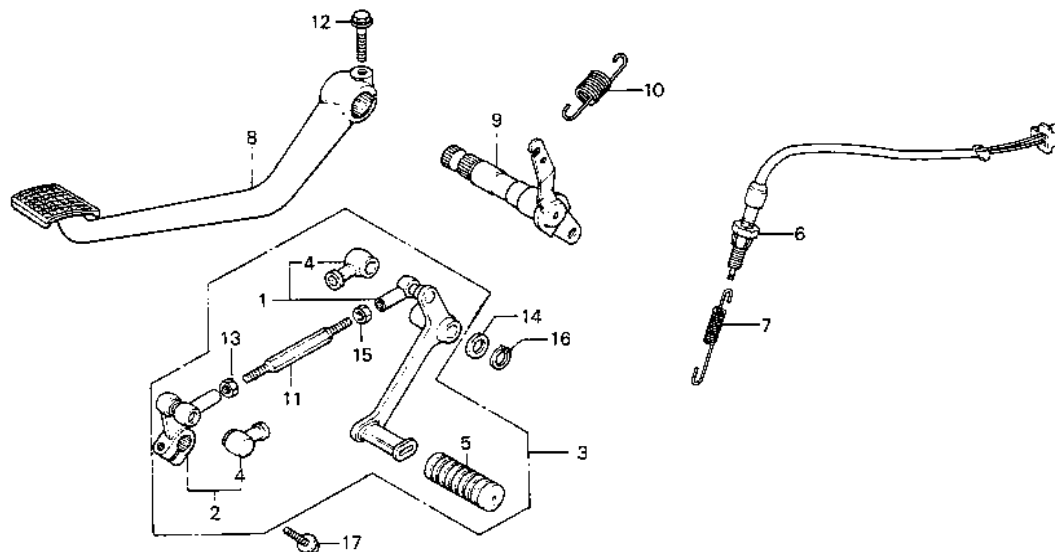
F-20

Brake pedal • Change pedal

Pédale de frein •
Pédale de changement

Bremspedal • Schaltpedal

Pedal de freno •
Pedal de cambio



B438-29

Service item	F.R.T.	Ref. No.	Part No.	Description	Reqd. No.		Serial No.	Area code
					Fz	FA		
		13	90201-700-000	NUT, GOVERNOR ARM FIXING	1	1		
		14	90474-703-000	WASHER, 12MM	1	1		
		15	94002-06020	NUT, HEX., 6MM	1	1		
		16	94511-12000	CIRCLIP, EXTERNAL, 12	1	1		
		17	95700-06020-00	BOLT, FLANGE, 6X20	1	1		

J 2

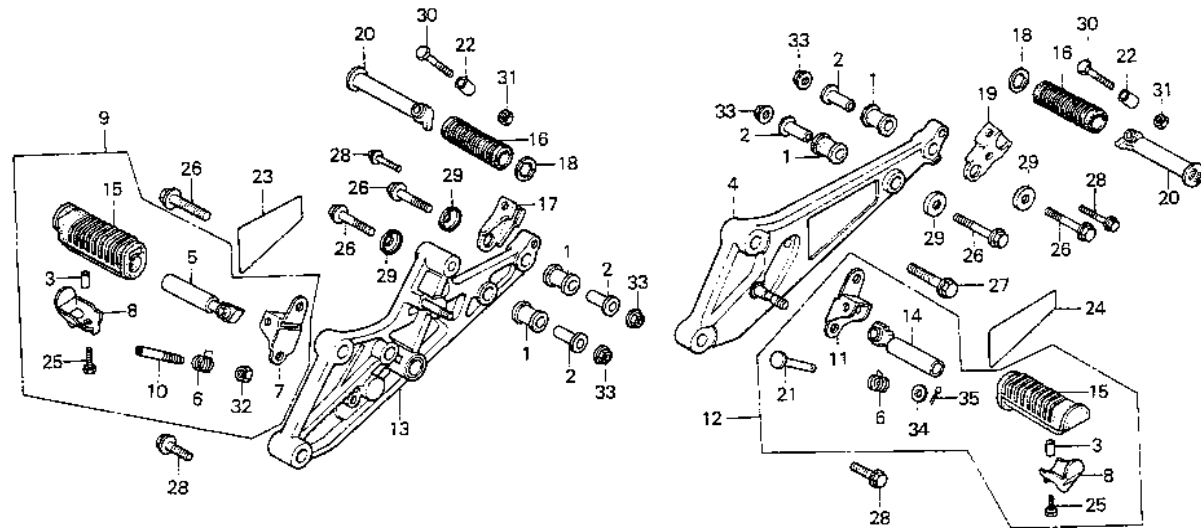
F-21

Step

Repose pieds

Tritt

Estribo



B438-30

Service item	F.R.T.	Ref. No.	Part No.	Description	Reqd. No. C8900 Fz FA	Serial No.	Area code
HOLDER COMP., L. STEP	0.5	1	18421-438-000	RUBBER, MUFFLER MOUNTING	4 4		
BRACKET, STEP	0.1	2	18422-438-000	CELLAR, MUFFLER MOUNTING	4 4		
INC. RELATIVE PART		3	37243-323-000	COLLAR, METER SETTING	2 2		
BRACKET, PILLION STEP		4	50610-438-610	HOLDER COMP., L. STEP	1		
INC. RELATIVE PART			50610-438-611	HOLDER COMP., L. STEP	1		
HOLDER COMP., R. STEP	0.6	5	50612-438-000	ARM COMP., R. STEP	1 1		
		6	50617-438-000	SPRING, STEP RETURN	2 2		
		7	50618-438-000	BRACKET, R. STEP	1 1		
		8	50619-425-010	STEPPER, STEP RUBBER	2 2		
		9	50620-438-000	STEP ASSY., R.	1 1		
		10	50621-438-000	BOLT, STEP ARM PIVCT	1 1		
		11	50628-438-000	BRACKET, L. STEP	1 1		
		12	50630-438-000	STEP ASSY., L.	1 1		

J 3

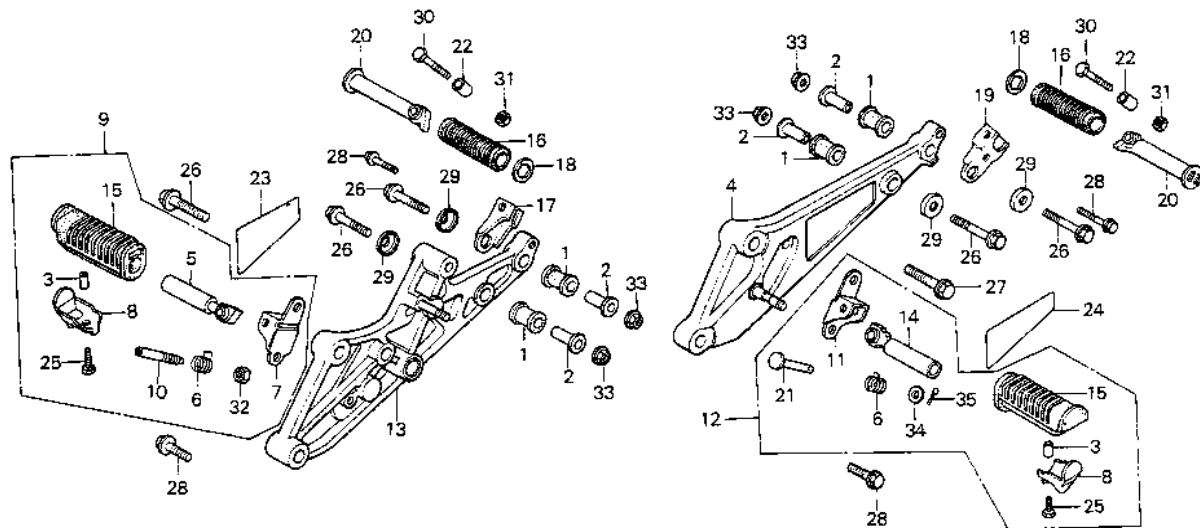
F-21

Step

Repose pieds

Tritt

Estribo



B438-30

Service item	F.R.T.	Ref. No.	Part No.	Description	Reqd. No.		Serial No.	Area code
					C8900	Fz Fa		
		13	50640-438-610	HOLDER COMP., R. STEP		1		
			50640-438-611	HOLDER COMP., R. STEP		1		
		14	50642-438-000	ARM COMP., L. STEP		1		
		15	50661-425-670	RUBBER, STEP		2		
		16	50710-405-000	RUBBER, PILLION STEP		2		
		17	50711-438-000	BRACKET, R. PILLION STEP		1		
		18	50713-438-000	WASHER, PILLION STEP		2		
		19	50714-438-000	BRACKET, L. PILLION STEP		1		
		20	50715-438-000	BAR, PILLION STEP		2		
		21	50716-438-000	PIN, STEP BAR JOINT		1		
		22	50717-438-000	COLLAR, PILLION STEP PIVOT		2		

J 4

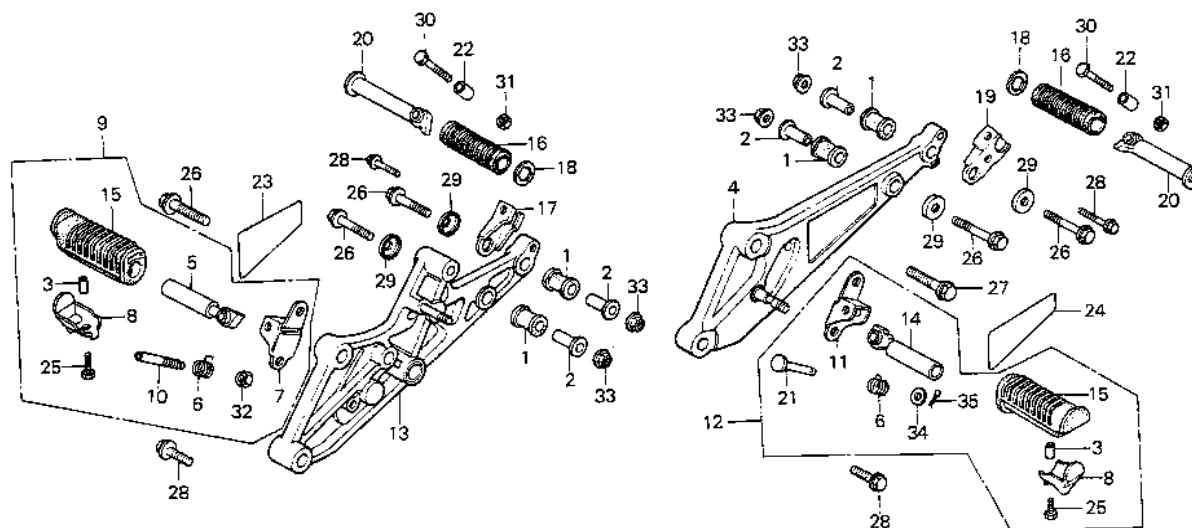
F-21

Step

Repose pieds

Tritt

Estribo



8438-30

Service item	F.R.T.	Ref. No.	Part No.	Description	Reqd. No. CB900 Fz FA	Serial No.	Area code
		23	87504-438-610	MARK, MUFFLER CAUTION	1 1		DK, DM, E, ED, G, SA, U
			87504-438-620	MARK, MUFFLER CAUTION (FRENCH)	1 1		F
		24	87507-438-610	MARK, CHAIN CAUTION	1 1		DK, DM, E, ED, G, SA, U
			87507-438-620	MARK, CHAIN CAUTION (FRENCH)	1 1		F
			87507-438-611	MARK, DRIVE CHAIN CAUTION	1 1		DK, DM, E, ED, G, SA, U
			87507-438-621	MARK, DRIVE CHAIN CAUTION (FRENCH)	1 1		F
		25	90104-430-000	BOLT, FR. BOTTOM CASE	2 2		
		26	90158-438-000	BOLT, SPECIAL FLANGE, 10X50	5 5		
		27	90182-438-000	BOLT, SPECIAL FLANGE, 10X40	1 1		
		28	90183-438-000	BOLT, SPECIAL FLANGE, 8X26	4 4		
		29	90557-438-000	WASHER, SPECIAL, 10MM	4 4		
		30	92200-06035	BOLT, HEX., 6X35	2 2		

J 5

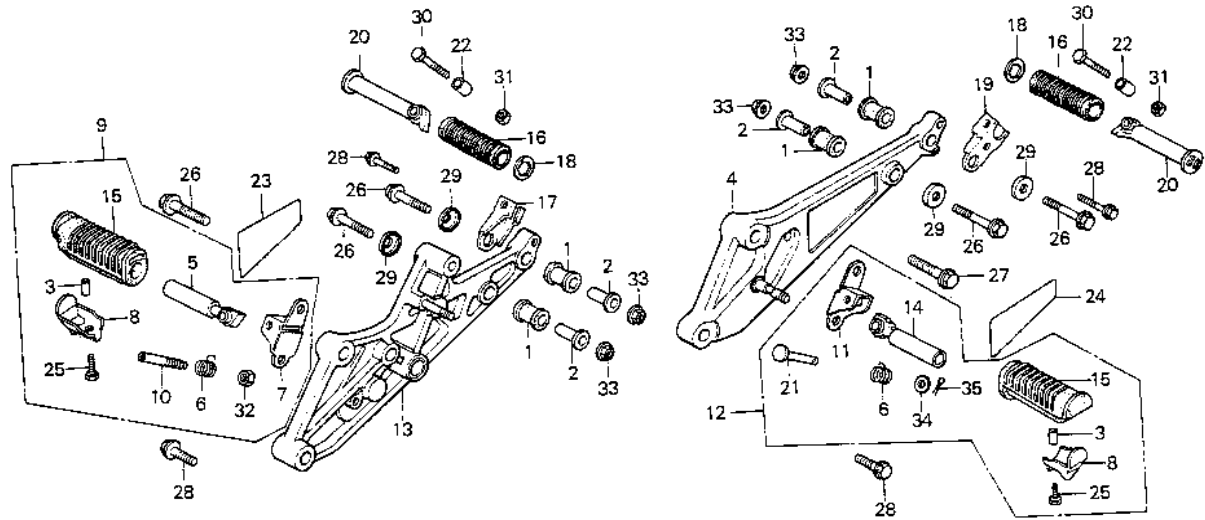
F-21

Step

Repose pieds

Tritt

Estribo



B438-30

Service item	F.R.T.	Ref. No.	Part No.	Description	Reqd. No. CB900 Fz FA	Serial No.	Area code
		31	94001-06000	NUT, HEX., 6MM	2 2		
		32	94002-08000-05	NUT, HEX., 8MM	1 1		
		33	94050-10000	NUT, FLANGE, 10MM	4 4		
		34	94101-08000	WASHER, PLAIN, 8MM	1 1		
		35	94261-16150	PIN, SPLIT, 1.6X15	1 1		

J 6

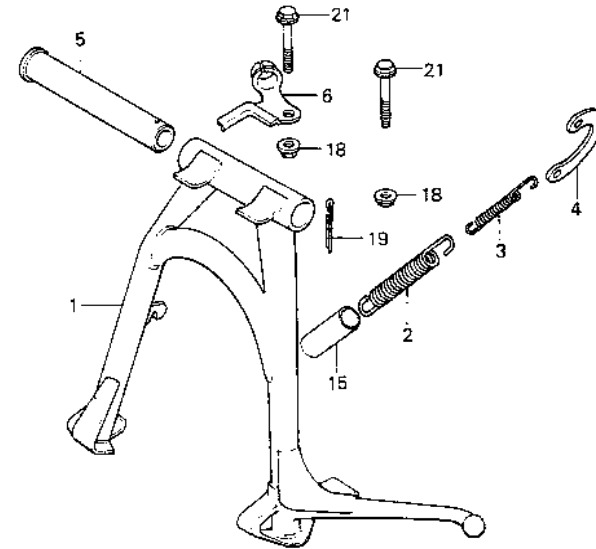
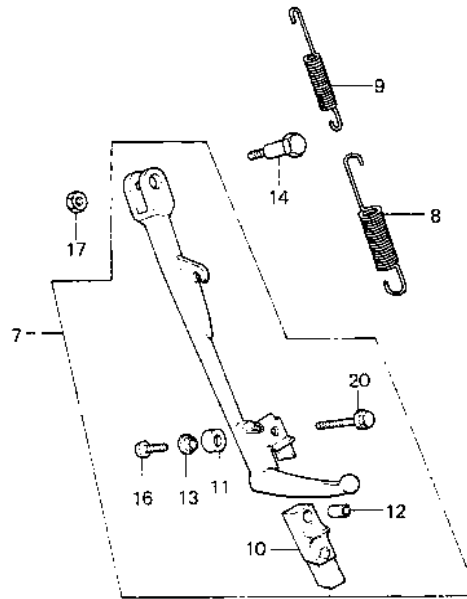
F-22

Stand

Bequille

Ständer

Estante



B438-31

Service item	F.R.T.	Ref. No.	Part No.	Description	Reqd. No. Cb900 Fz FA	Serial No.	Area code
STAND COMP., MAIN	0.5	1	50500-438-000	STAND COMP., MAIN	1 1		
SPRING, MAIN STAND	0.2	2	50510-413-610	SPRING, MAIN STAND	1 1		
PLATE, MAIN STAND SPRING			95014-71702	SPRING G, MAIN STAND	1 1		G
BAR ASSY., SIDE STAND		3	50521-425-610	SUB SPRING, MAIN STAND	1 1		DK, DM, E, ED, F, SA, U
INC. RELATIVE PART		4	50523-425-000	PLATE, MAIN STAND SPRING	1 1		G
SPRING, SIDE STAND	0.1	5	50526-300-000	PIPE, MAIN STAND PIVOT	1 1		
		6	50527-425-000	GUIDE, DRAIN TUBE	1 1		
		7	50540-438-000	BAR ASSY., SIDE STAND	1 1		
		8	50541-445-010	SPRING, SIDE STAND	1 1		DK, DM, E, ED, F, SA, U
			50543-438-000	SPRING, SIDE STAND	1 1		G
		9	50542-438-000	SUB SPRING, SIDE STAND	1 1		G
		10	50548-356-700	RUBBER, STAND	1 1		

1979.10.20

J6

J 7

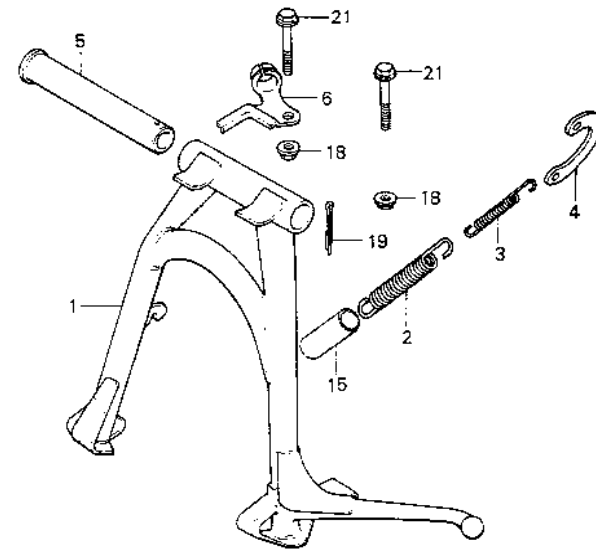
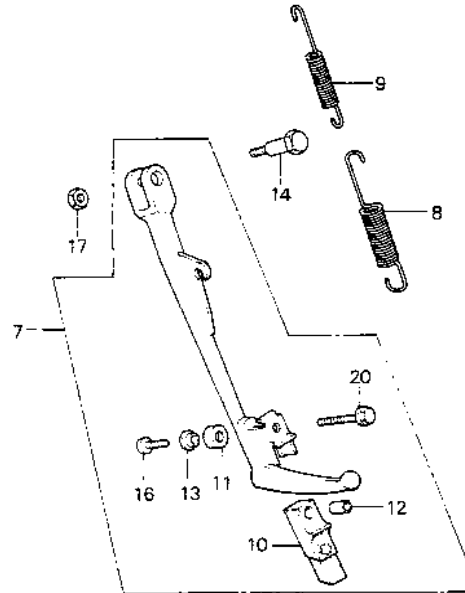
F-22

Stand

Bequille

Ständer

Estante



B438-31

Service item	F.R.T.	Ref. No.	Part No.	Description	Read. No. C8900 Fz FA	Serial No.	Area code
		11	50548-438-000	RUBBER, SIDE STAND	1 1		
		12	50549-356-700	COLLAR, STAND RUBBER SETTING	1 1		
		13	50549-438-000	COLLAR, RUBBER SETTING	1 1		
		14	90108-223-000	SCREW, SIDE STAND PIVGT	1 1		
		15	90125-410-000	COVER, MAIN STAND SPRING	1 1		DK, DM, E, ED, F, SA, U
		16	93500-06010	SCREW, PAN, 6X10	1 1		
		17	94031-10000	NUT, HEX., 10MM	1 1		
		18	94050-08000	NUT, FLANGE, 8MM	2 2		
		19	94201-25250	PIN, SPLIT, 2.5X25	1 1		
		20	95700-06025-07	BOLT, FLANGE, 6X25	1 1		
		21	95700-08040-00	BOLT, FLANGE, 8X40	2 2		

J 8

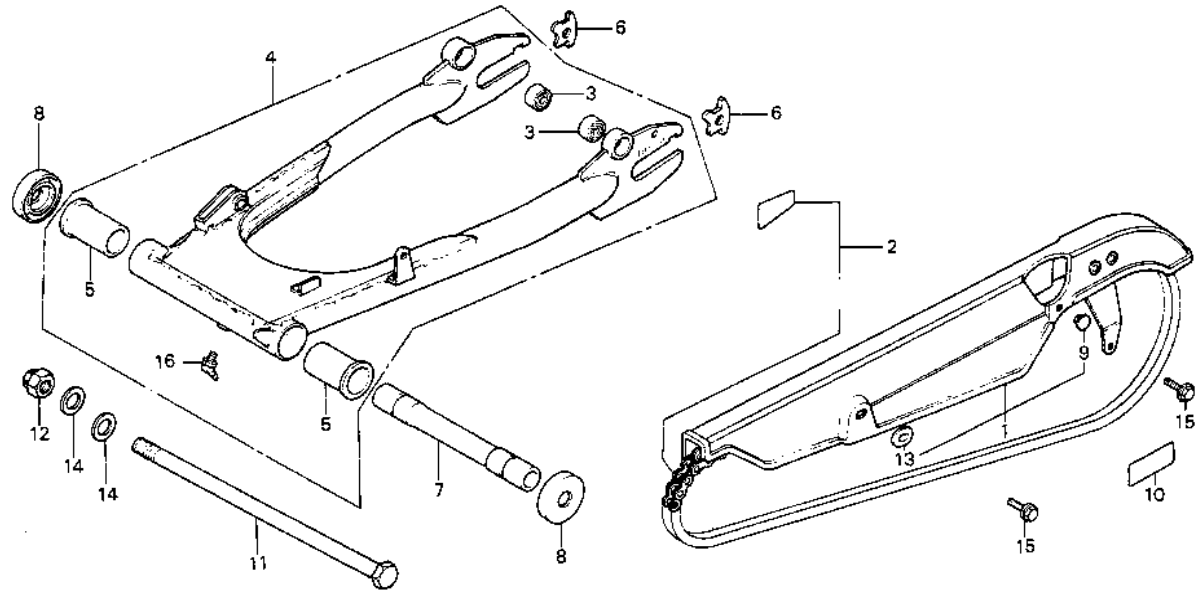
F-23

Rear fork • Chain case
(CB900Fz)

Fourche arrière • Carter de chaîne
(CB900Fz)

Hintere Schwinge • Kettenschutz
(CB900Fz)

Horquilla trasera • Caja de cadena
(CB900Fz)



8438-32

Service item	F.R.T.	Ref. No.	Part No.	Description	Reqd. No. CB900 Fz FA	Serial No.	Area code
CASE, DRIVE CHAIN	0.1	1	40510-425-010	CASE, DRIVE CHAIN	1	2016261	
CHAIN SET, DRIVE	0.7		40510-438-000	CASE, DRIVE CHAIN	1	2016262	
BUSH, RR. CUSHION UNDER RUBBER	0.6	2	40535-438-611	CHAIN SET, DRIVE (106L TAKASAGO)	1		DK,DM,E,ED,G,SA,U
COLLAR, RR. FORK CENTER			40535-438-621	CHAIN SET, DRIVE (106L TAKASAGO)	1		F
FORK ASSY., RR.	0.8	3	40548-268-000	BUSH, RR. CUSHION UNDER RUBBER	2		
BUSH, RR. FORK PIVOT (ONE OR ALL)	1.0	4	52100-438-000ZA	FORK ASSY., RR. *NH-1*	1		
		5	52108-422-300	BUSH, RR. FORK PIVOT	2		
		6	52136-405-000	STOPPER, CHAIN ADJUSTER	2		
		7	52141-422-020	COLLAR, RR. FORK CENTER	1		
		8	52144-362-000	CAP, RR. FORK DUST SEAL	2		
		9	80102-355-670	PLUG, USELESS HOLE	1	2010261	
		10	87505-438-610	MARK, TIRE CAUTION	1		DK,DM,E,ED,G,U

J 9

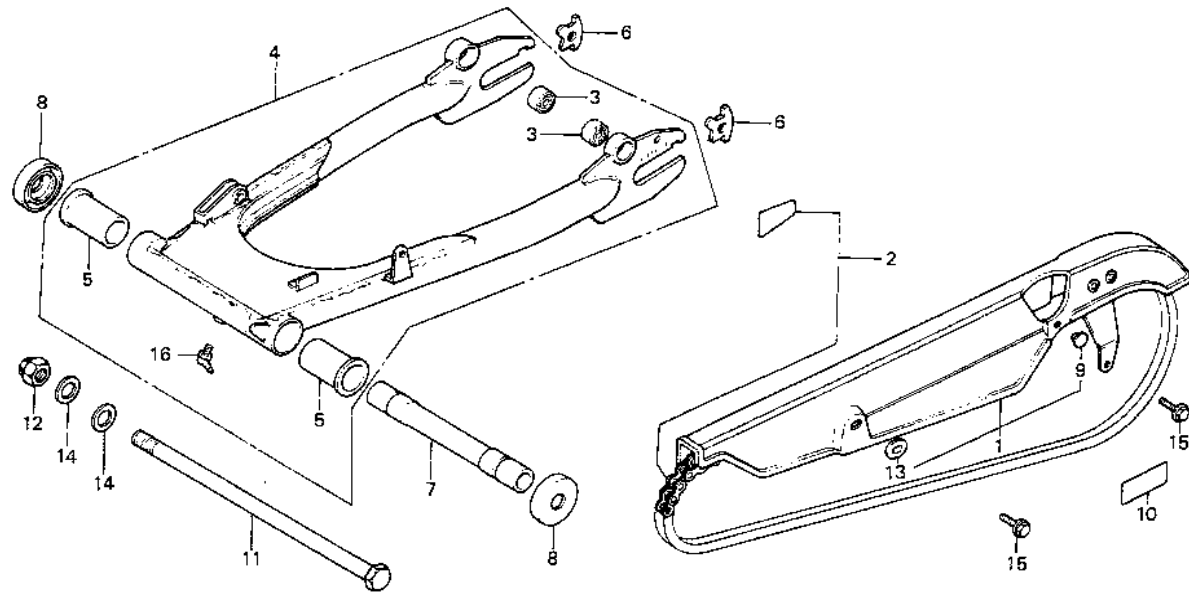
F-23

Rear fork • Chain case
(CB900Fz)

Fourche arrière • Carter de chaîne
(CB900Fz)

Hintere Schwinge • Kettenschutz
(CB900Fz)

Horquilla trasera • Caja de cadena
(CB900Fz)



B438-32

Service item	F.R.T.	Ref. No.	Part No.	Description	Reqd. No.		Serial No.	Area code
					CB900	Fz Fa		
			87505-438-620	MARK, TIRE CAUTION (FRENCH)	1		F	
			87505-438-760	MARK, TIRE CAUTION	1		SA	
		11	90121-438-000	BELT, RR. FORK PIVOT	1			
		12	90354-438-000	NUT, SELF LOCK, 14MM	1			
		13	90513-405-000	WASHER, 6X9	1			
		14	90600-422-000	WASHER, PLAIN, 14MM	2			
		15	95700-06012-07	BOLT, FLANGE, 6X12	2			
		16	96201-60000	NIPPLE, GREASE, C.T6	1			

J 10

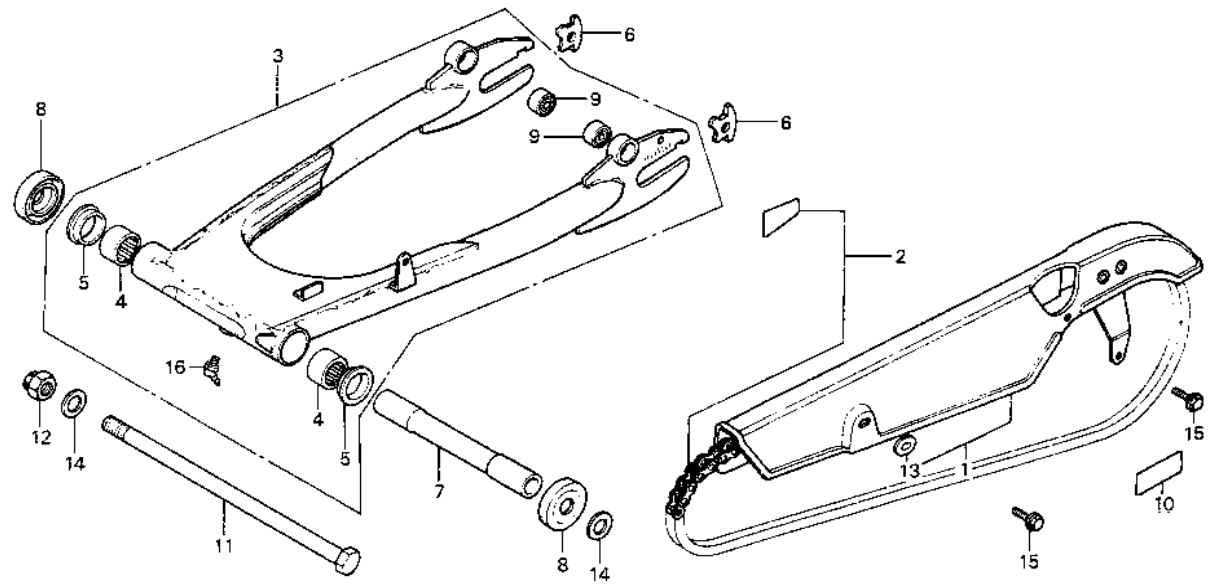
F-23-1

Rear fork · Chain case
(CB900FA)

Fourche arrière · Carter de chaîne
(CB900FA)

Hintere Schwinge · Kettenschutz
(CB900FA)

Horquilla trasera · Caja de cadena
(CB900FA)



B445-18A

Service item	F.R.T.	Ref. No.	Part No.	Description	Reqd. No. CB900 Fz FA	Serial No.	Area code
CASE, DRIVE CHAIN	0.1	1	40510-438-000	CASE, DRIVE CHAIN	1		
CHAIN SET, DRIVE	0.7	2	40535-438-622	CHAIN SET, DRIVE	1		
FORK ASSY., RR.	0.8			(106 TAKASAGO)			
BEARING, RR. FORK PIVOT (ONE OR ALL)	1.0		40535-438-651	CHAIN SET, DRIVE	1		
				(106 DAIDO)			
COLLAR, RR. FORK CENTER	0.6	3	52100-445-7702A	FORK ASSY., RR. *NH-1*	1		
BUSH, RR. DAMPER		4	52108-425-831	BEARING, RP. FORK PIVOT	2		
			52108-425-832	BEARING, RP. FORK PIVOT	2		
			52109-425-831	BUSH, THRUST	2		
		6	52136-405-000	STOPPER, CHAIN ADJLSTER	2		
		7	52141-425-830	COLLAR, RR. FORK CENTER	1		
		8	52144-425-831	CAP, DUST SEAL	2		
		9	52451-357-000	BUSH, RR. DAMPER	2		
		10	87505-438-710	MARK, TIRE CAUTION	1		DK, DM, E, ED, G, U
			87505-438-720	MARK, TIRE CAUTION (FRENCH)	1		F

J 11

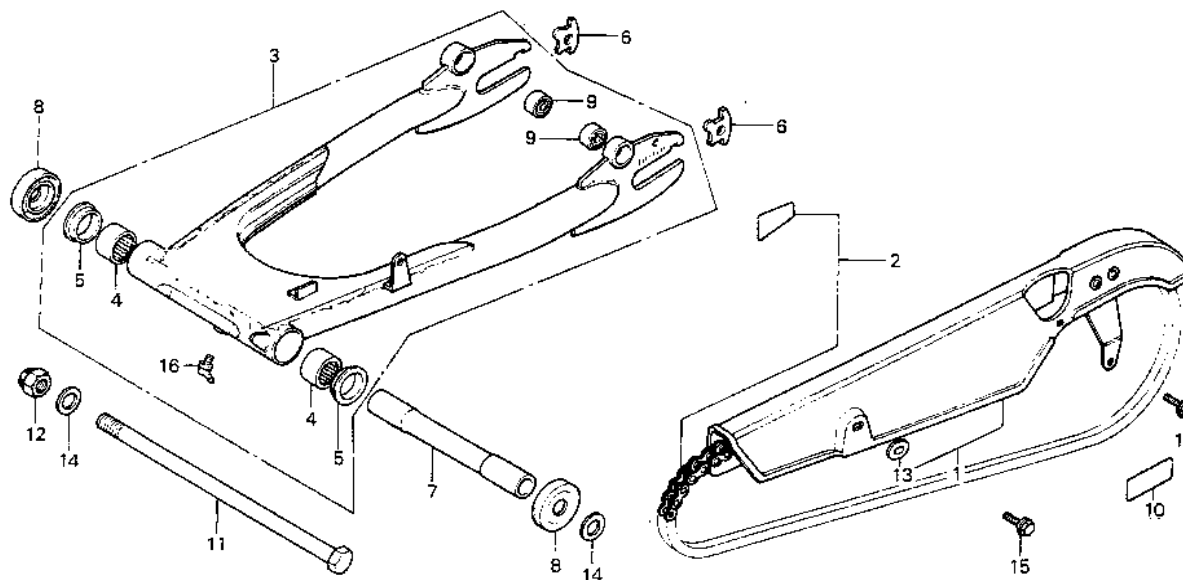
F-23-1

Rear fork · Chain case
(CB900FA)

Fourche arrière · Carter de chaîne
(CB900FA)

Hintere Schwinge · Kettenschutz
(CB900FA)

Horquilla trasera · Caja de cadena
(CB900FA)



B445-18A

Service item	F.R.T.	Ref. No.	Part No.	Description	Reqd. No. CB900 Fz FA	Serial No.	Area code
			87505-438-860	MARK, TIRE CAUTION	1		SA
		11	90121-438-610	BOLT, RP. FORK PIVOT	1		
		12	90354-438-610	NUT, SELF LOCK, 16MM	1		
		13	90513-323-000	WASHER, 6X9	1		
		14	90600-438-610	WASHER, 16MM	2		
		15	95700-06012-07	BOLT, FLANGE, 6X12	2		
		16	96201-60000	NIPPLE, GREASE, C.T6	1		

J 12

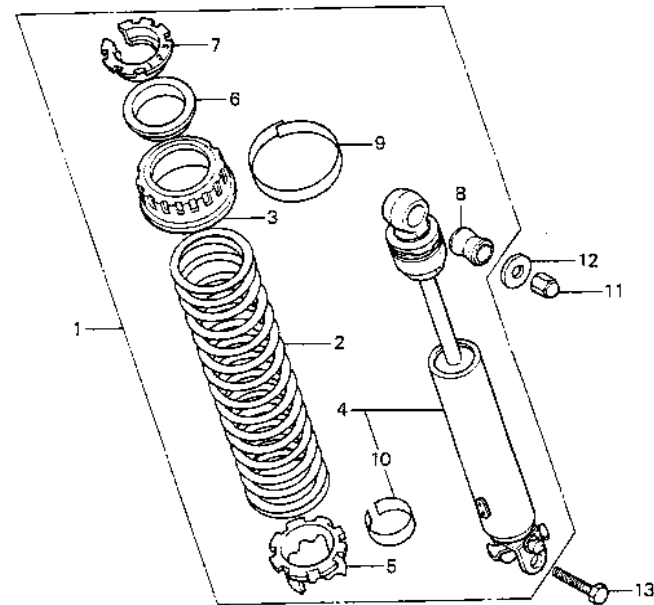
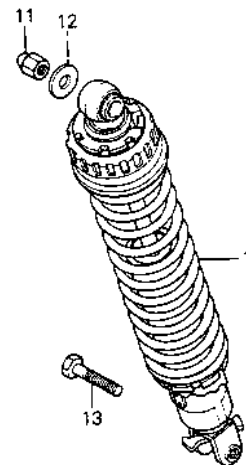
F-24

Rear cushion

Amortisseur arrière

Hinterer Stoßdämpfer

Amortiguador trasero



B422-60

Service item	F.R.T.	Ref. No.	Part No.	Description	Reqd. No.		Serial No.	Area code
					CB900	Fz FA		
CUSHION ASSY., RR. (L. SIDE 0.2.)	0.1	1	52400-438-611	CUSHION ASSY., RR.	2			
			52400-438-711	CUSHION ASSY., RR.	2	2		
SPRING, RR. CUSHION INC. RELATIVE PART (L. SIDE 0.4.)	0.3	2	52401-438-611	SPRING, RR. CUSHION	2	2		
		3	52402-422-611	COVER, SPRING	2	2		
		4	52410-438-611	DAMPER COMP., RR.	2			
			52410-469-003	DAMPER COMP., RR. (SHOWA)	2	2		
		5	52422-422-003	ADJUSTER, SPRING	2	2		
		6	52450-422-611	PROTECTOR, COVER	2	2		
		7	52451-422-611	SEAT, SPRING	2	2		
		8	52484-292-000	RUBBER, JOINT	2	2		
		9	52758-438-300	LABEL A	2	2		
		10	52759-422-300	LABEL B	2	2		
		11	90309-315-000	NUT, RR. CUSHION UPPER	2	2		
		12	90521-292-000	WASHER, 10.3MM	2	2		
		13	93200-10032-08	BOLT, MEX., 10X32	2	2		

J 13

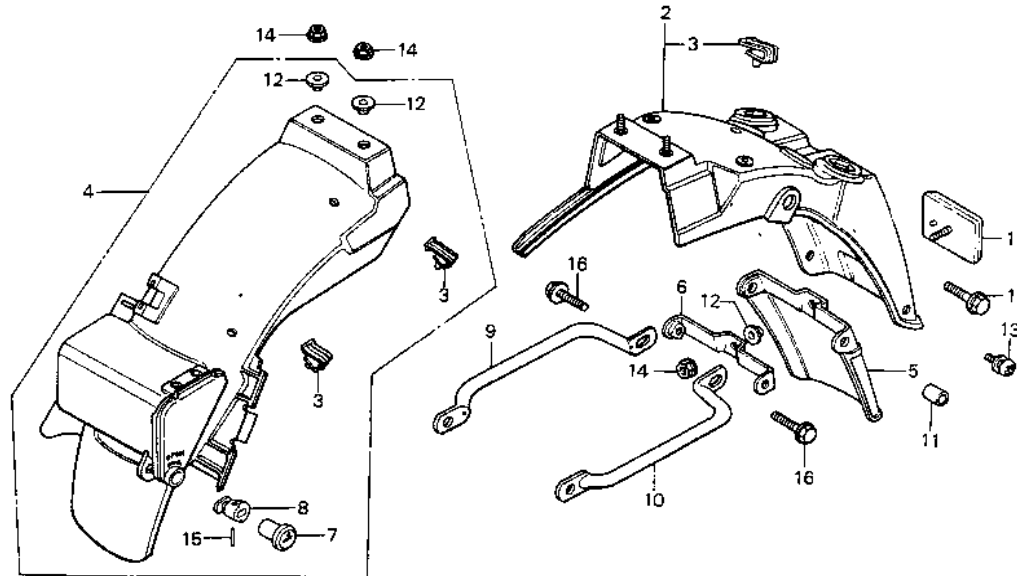
F-25

Rear fender

Garde-boue arrière

Hinterer Kotflügel

Parafango trasero



8438-33

Service item	F.R.T.	Ref. No.	Part No.	Description	Reqd. No.		Serial No.	Area code
					CB900	Fz Fa		
REFLECTOR, RR. REFLEX	0.1	1	33741-415-601	REFLECTOR, RR. REFLEX (STANLEY)	1	1		E, ED, F, G
MUDGUARD, RR. FENDER								
PIPE, GRIP (ONE OR ALL)		2	80100-438-610ZA	FENDER COMP. A, RR. *A-01*	1	1		E, F, G
FENDER COMP. A, RR.	0.2		80100-438-640ZA	FENDER COMP. A, RR. *A-01*	1	1		ED
FENDER COMP. A, RR. (ED TYPE)	0.3		80100-445-670ZA	FENDER COMP. A, RR. *NH-105*	1	1		DK, DM, SA, U
FENDER ASSY. B, RR.		3	80110-147-000	CLAMP, CABLE	3	3		
		4	80120-438-000	FENDER ASSY. B, RR.	1	1		ED
		5	80121-438-640	MUDGUARD, RR. FENDER	1	1		ED
		6	80122-438-640	STAY, MUDGUARD	1	1		ED
		7	83507-438-000	BODY, KEY	1	1		
		8	83508-438-000	STOPPER, KEY BODY	1	1		
		9	84100-438-000	PIPE, R. GRIP	1	1		
		10	84200-438-000	PIPE, L. GRIP	1	1		
		11	90325-323-630	COLLAR, RR. MUDGUARD	3	3		ED
		12	90512-300-000	WASHER, 6X20	2	2		DK, DM, ED, SA, U
					3	3		E, F, G

J 14

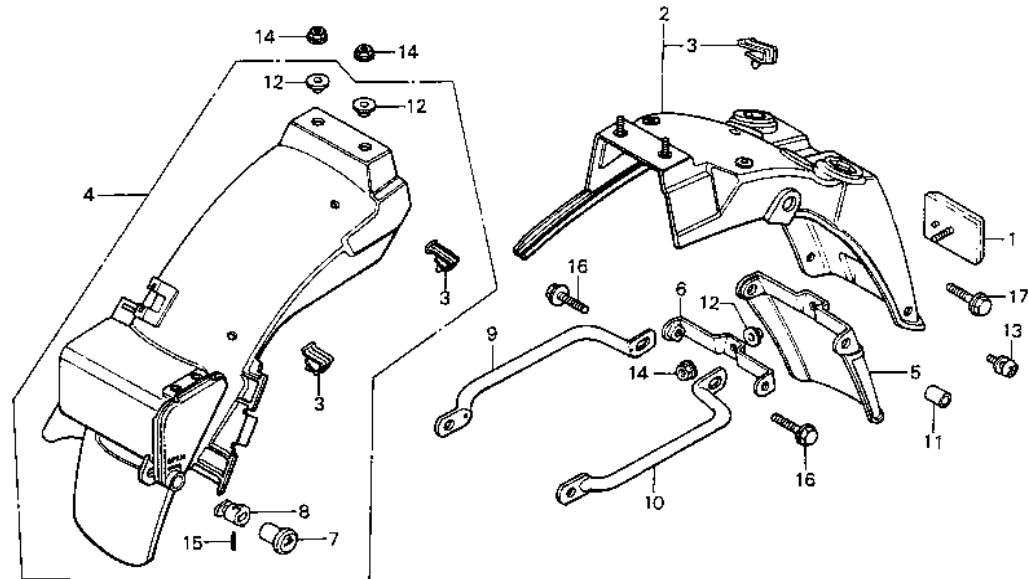
F-25

Rear fender

Garde-boue arrière

Hinterer Kotflügel

Parafango trasero



B438-33

Service item	F.R.T.	Ref. No.	Part No.	Description	Reqd. No.		Serial No.	Area code
					CB900	Fz FA		
		13	93891-06014-07	BOLT-WASHER, 6X14	2	2		EO
		14	94050-06000	NUT, FLANGE, 6MM	2	2		DK, DM, SA, U
		15	94305-20141	PIN, SPRING, 2X14	3	3		E, EO, F, G
					1	1		
		16	95700-08016-00	BOLT, FLANGE, 8X16	2	2		
		17	95700-08025-00	BOLT, FLANGE, 8X25	2	2		

J 15

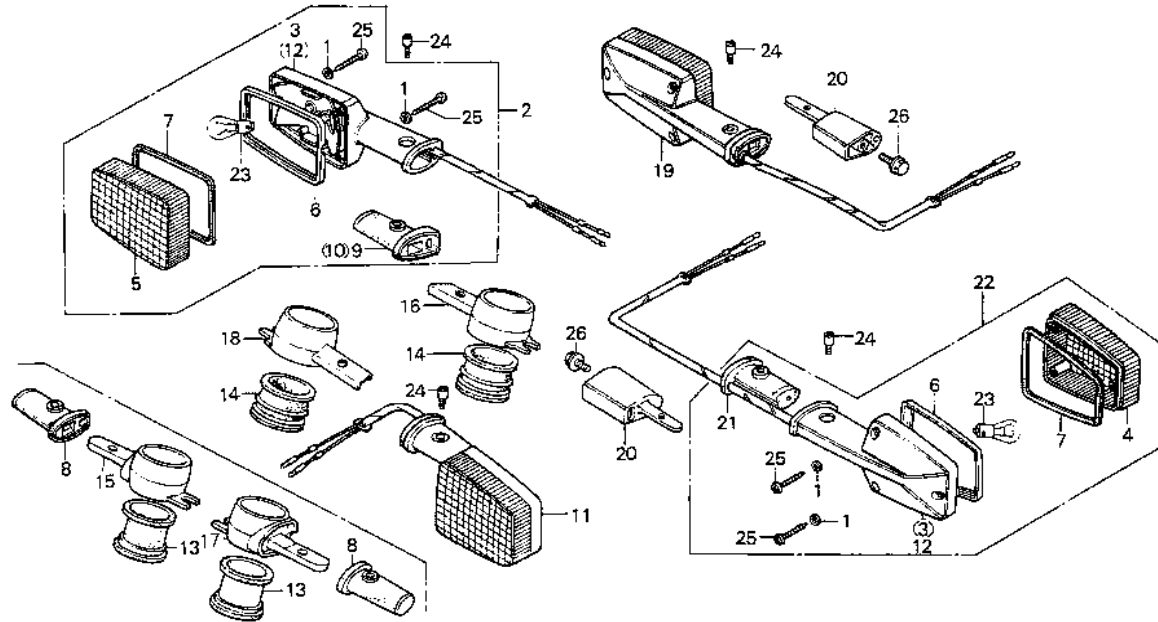
F-26

**Winker
(E,ED,F,G)**

**Clignotant
(E,ED,F,G)**

**Blinker
(E,ED,F,G)**

**Luz intermitente
(E,ED,F,G)**



B438-34A

Service Item	F.R.T.	Ref. No.	Part No.	Description	Reqd. No.		Serial No.	Area code	
					C8900	Fz FA			
WINKER ASSY. INC. RELATIVE PART (ADD 0.1 FOR EACH.) (EXC. RELATED PARTS BELOW) BULB (WHEN SERVICING COMP., UNIT, F.R.T. IS 0.2.)	0.2	1	33318-567-003	WASHER	12	12		E,ED,F,G	
		2	33400-438-601	WINKER ASSY., R. FR. (12V 21W)	1			E,ED,F,G	
	0.1			33400-438-602	WINKER ASSY., R. FR. (12V 21W)	1			E,ED,F,G
		3	33401-438-601	BASE COMP., R. FR. WINKER	2	2		E,ED,F,G	
		4	33402-425-601	LENS, WINKER	2	2		E,ED,F,G	
		5	33402-431-782	LENS, WINKER	2	2		E,ED,F,G	
		6	33404-438-003	RIM, WINKER	4			E,ED,F,G	
		7	33406-431-781	PACKING, WINKER LENS	4	4		E,ED,F,G	
		8	33417-438-000	RUBBER, FR. WINKER	2			E,ED,F,G	
		9	33418-438-000	RUBBER, R. FR. WINKER		1		E,ED,F,G	
		10	33419-438-000	RUBBER, L. FR. WINKER		1		E,ED,F,G	
11	33450-438-601	WINKER ASSY., L. FR. (12V 21W)	1			E,ED,F,G			

J 16

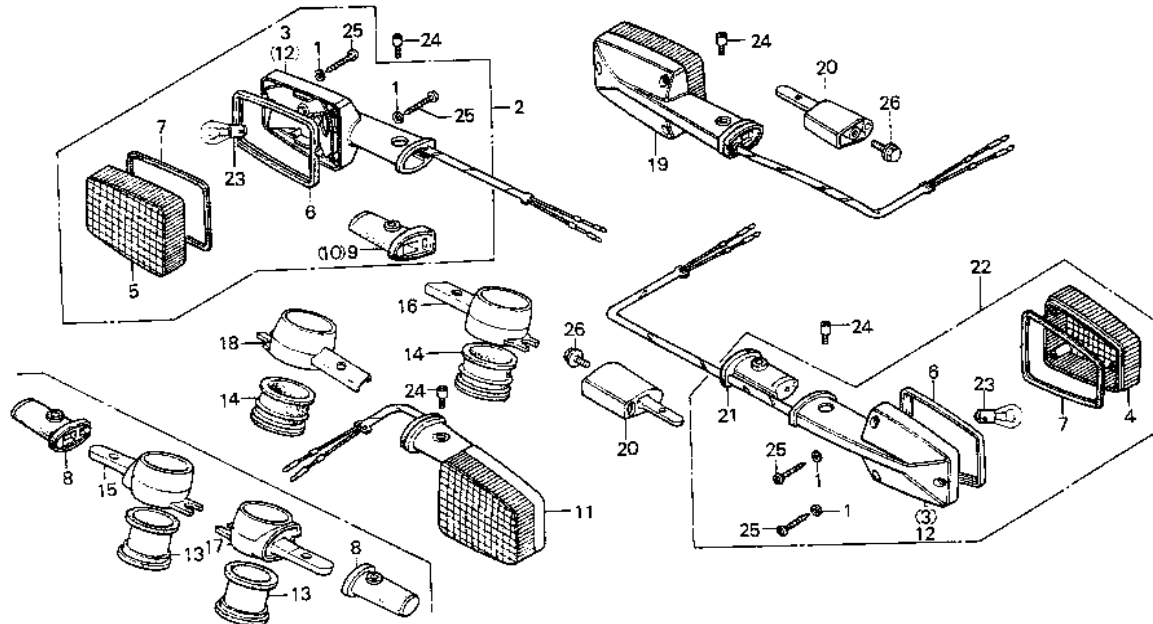
F-26

Winker
(E,ED,F,G)

Clignotant
(E,ED,F,G)

Blinker
(E,ED,F,G)

Luz intermitente
(E,ED,F,G)



B438-34A

Service item	F.R.T.	Ref. No.	Part No.	Description	Reqd. No. CB900 Fz Fa	Serial No.	Area code
			33450-438-602	WINKER ASSY., L. FR. (12V 21W)	1		E,ED,F,G
		12	33451-438-601	BASE COMP., L. FR. WINKER	2		E,ED,F,G
		13	33470-438-000	RUBBER, FR. WINKER BRACKET MOUNTING	2		E,ED,F,G
		14	33470-438-010	RUBBER, FR. WINKER BRACKET MOUNTING	2		E,ED,F,G
		15	33471-438-010	BRACKET COMP., R. FR. WINKER	1		E,ED,F,G
		16	33471-438-020	BRACKET COMP., R. FR. WINKER	1		E,ED,F,G
		17	33472-438-010	BRACKET COMP., L. FR. WINKER	1		E,ED,F,G
		18	33472-438-020	BRACKET COMP., L. FR. WINKER	1		E,ED,F,G

K 1

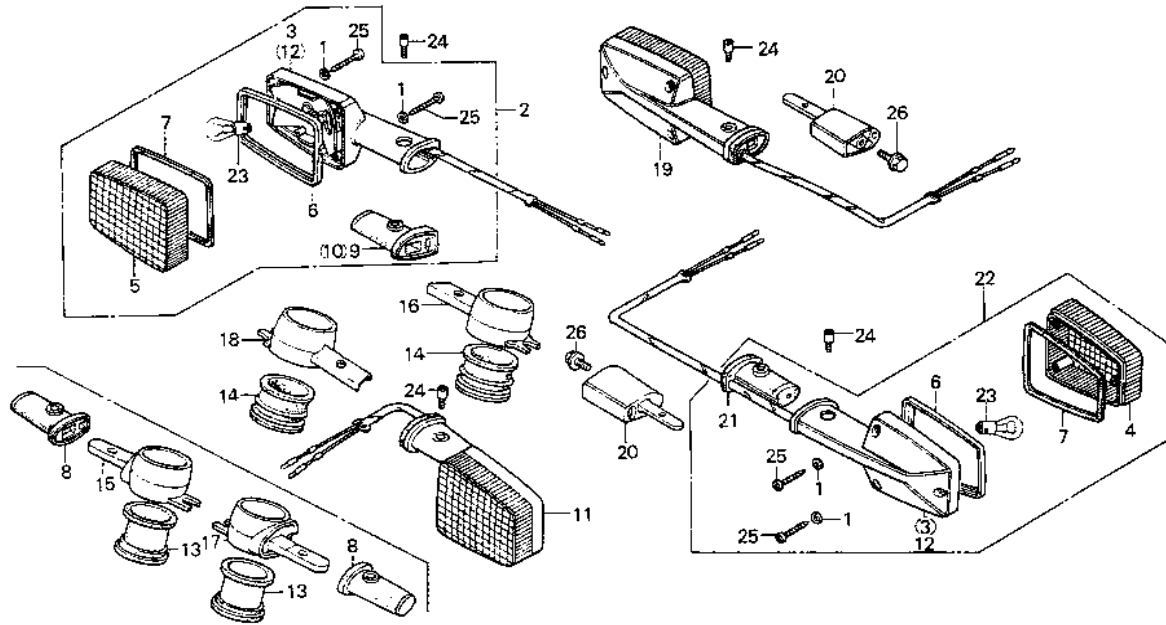
F-26

Winker
(E,ED,F,G)

Clignotant
(E,ED,F,G)

Blinker
(E,ED,F,G)

Luz intermitente
(E,ED,F,G)



B438-34A

Service item	F.R.T.	Ref. No.	Part No.	Description	Reqd. No. CB900 Fz FA	Serial No.	Area code
		19	33600-438-601	WINKER ASSY., R. RR. (12V 21W)	1		E,ED,F,G
			33600-438-602	WINKER ASSY., R. RP. (12V 21W)	1		E,ED,F,G
		20	33605-438-000	STAY, RR. WINKER	2	2	E,ED,F,G
		21	33609-425-000	RUBBER, RR. WINKER MOUNTING	2	2	E,ED,F,G
		22	33650-438-601	WINKER ASSY., L. RR. (12V 21W)	1		E,ED,F,G
			33650-438-602	WINKER ASSY., L. RP. (12V 21W)	1		E,ED,F,G
		23	34908-634-611	BULB (12V21W)	4	4	E,ED,F,G
		24	90380-431-780	SCREW, OVAL, 5X8	4	4	E,ED,F,G
		25	93901-24680	SCREW, TAPPING, 4X25	12	12	E,ED,F,G
		26	95700-06012-00	BOLT, FLANGE, 6X12	2	2	E,ED,F,G

K 2

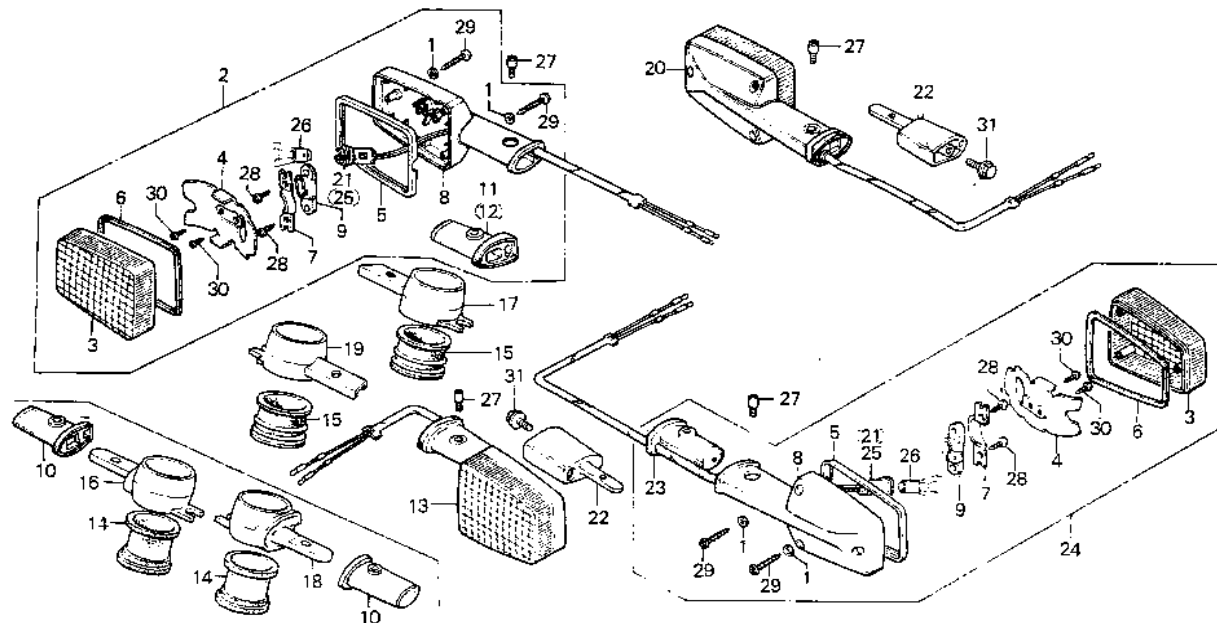
F-26-1

**Winker
(DK, DM, SA, U)**

**Clignotant
(DK, DM, SA, U)**

**Blinker
(DK, DM, SA, U)**

**Luz intermitente
(DK, DM, SA, U)**



9438-35A

Service item	F.R.T.	Ref. No.	Part No.	Description	Reqd. No.		Serial No.	Area code	
					CB900	Fz Fa			
WINKER ASSY. (INC. RELATIVE PART (ADD 0.1 FOR EACH.) (EXC. RELATED PARTS BELOW) BULB, WINKER (WHEN SERVICING COMP., UNIT, F.R.T. IS 0.2.)	0.2	1	33318-567-003	WASHER	12	12		DK, DM, SA, U	
		2	33400-438-681	WINKER ASSY., R. FR. (12V 23W)	1	1		DK, DM, SA, U	
	0.1			33400-438-691	WINKER ASSY., R. FR. (12V 23W)	1	1		DK, DM, SA, U
		3	33402-431-782	LENS, WINKER	4	4		DK, DM, SA, U	
		4	33403-425-003	REFLECTOR, WINKER	4	4		DK, DM, SA, U	
		5	33404-438-003	RIM, WINKER	4	4		DK, DM, SA, U	
		6	33406-431-781	PACKING, WINKER LENS	4	4		DK, DM, SA, U	
		7	33407-431-781	HOLDER, SOCKET	4	4		DK, DM, SA, U	
		8	33409-438-003	BASE, WINKER	4	4		DK, DM, SA, U	
		9	33411-431-782	RUBBER, SOCKET	4	4		DK, DM, SA, U	
		10	33417-438-000	RUBBER, FR. WINKER	2	2		DK, DM, SA, U	
		11	33418-438-000	RUBBER, R. FR. WINKER	1	1		DK, DM, SA, U	
12	33419-438-000	RUBBER, L. FR. WINKER	1	1		DK, DM, SA, U			

K 3

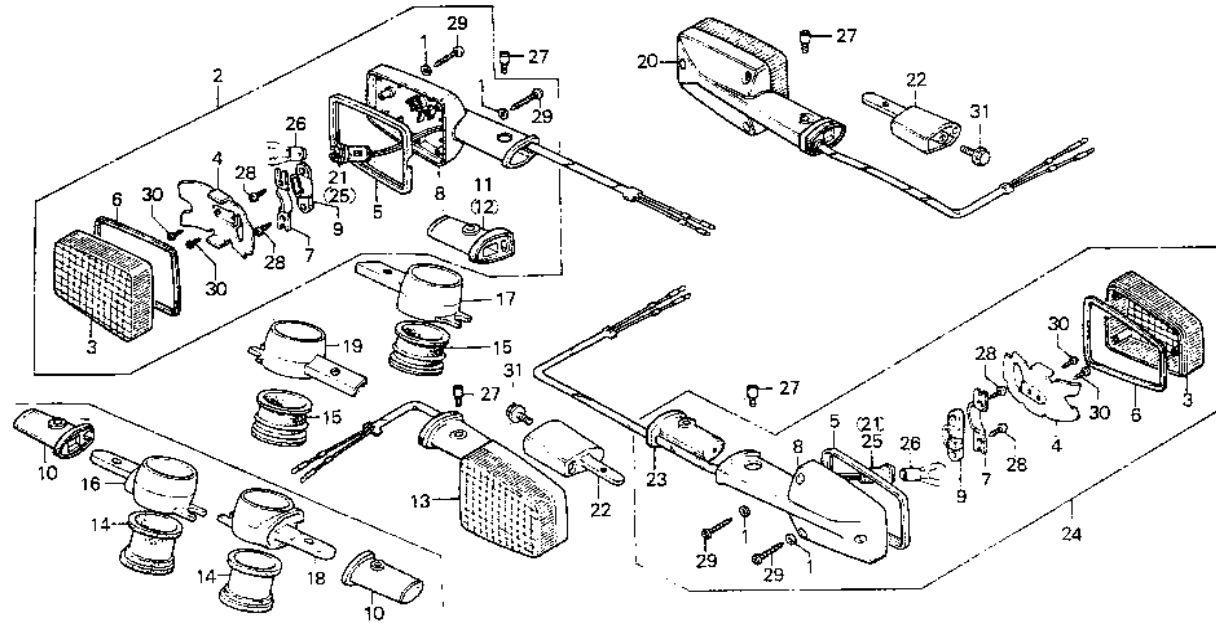
F-26-1

**Winker
(DK,DM,SA,U)**

**Clignotant
(DK,DM,SA,U)**

**Blinker
(DK,DM,SA,U)**

**Luz intermitente
(DK,DM,SA,U)**



9438-35A

Service item	F.R.T.	Ref. No.	Part No.	Description	Reqd. No. CB900 Fz FA	Serial No.	Area code
		13	33450-438-681	WINKER ASSY., L. FR. (12V 23W)	1		DK,DM,SA,U
			33450-438-691	WINKER ASSY., L. FR. (12V 23W)	1		DK,DM,SA,U
		14	33470-438-000	RUBBER, FR. WINKER BRACKET	2		DK,DM,SA,U
				MCOUNTING			
		15	33470-438-010	RUBBER, FR. WINKER BRACKET	2		DK,DM,SA,U
				MCOUNTING			
		16	33471-438-010	BRACKET COMP., R. FR. WINKER	1		DK,DM,SA,U
		17	33471-438-020	BRACKET COMP., R. FR. WINKER	1		DK,DM,SA,U
		18	33472-438-010	BRACKET COMP., L. FR. WINKER	1		DK,DM,SA,U
		19	33472-438-020	BRACKET COMP., L. FR. WINKER	1		DK,DM,SA,U

K 4

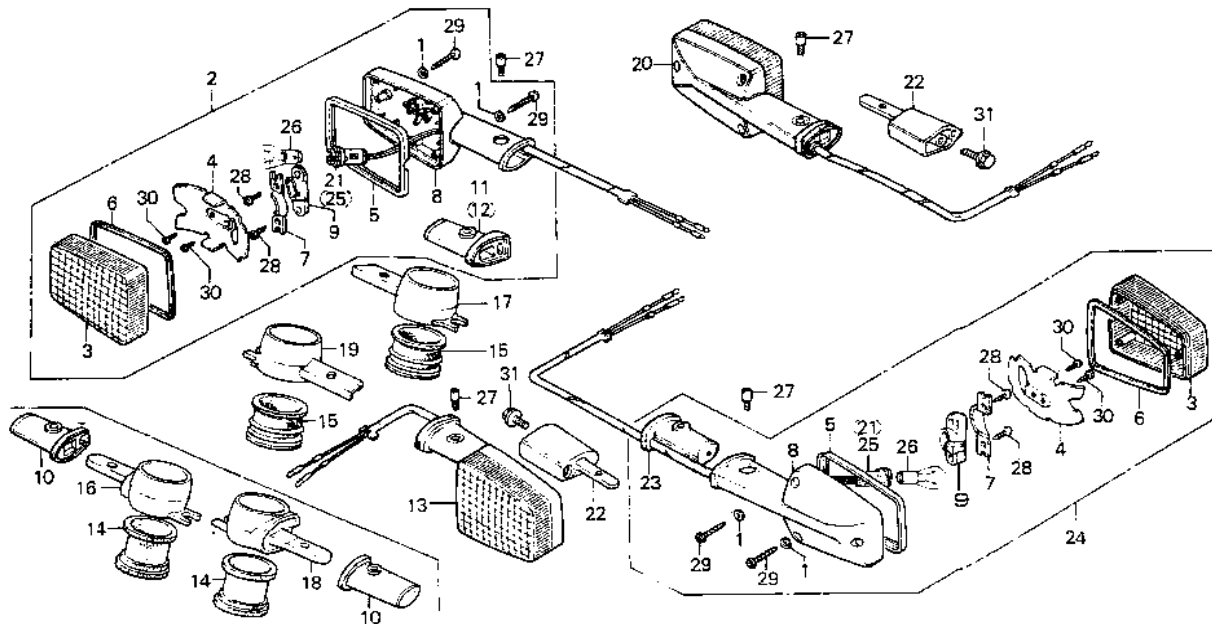
F-26-1

**Winker
(DK,DM,SA,U)**

**Clignotant
(DK,DM,SA,U)**

**Blinker
(DK,DM,SA,U)**

**Luz intermitente
(DK,DM,SA,U)**



B438-35A

Service item	F.R.T.	Ref. No.	Part No.	Description	Reqd. No. CB900 Fz FA	Serial No.	Area code
		20	33600-438-681	WINKER ASSY., R. RR. (12V 23W)	1		DK, DM, SA, U
			33600-438-691	WINKER ASSY., L. RR. (12V 23W)	1		DK, DM, SA, U
		21	33605-431-781	SOCKET COMP., R. RR. WINKER	2	2	DK, DM, SA, U
		22	33605-438-000	STAY, RR. WINKER	2	2	DK, DM, SA, U
		23	33609-425-000	RUBBER, RR. WINKER MOUNTING	2	2	DK, DM, SA, U
		24	33650-438-681	WINKER ASSY., L. RR. (12V 23W)	1		DK, DM, SA, U
			33650-438-691	WINKER ASSY., R. RR. (12V 23W)	1		DK, DM, SA, U
		25	33655-431-781	SOCKET COMP., L. RR. WINKER	2	2	DK, DM, SA, U
		26	34905-268-671	BULB, WINKER (12V23W)	4	4	DK, DM, SA, U

K 5

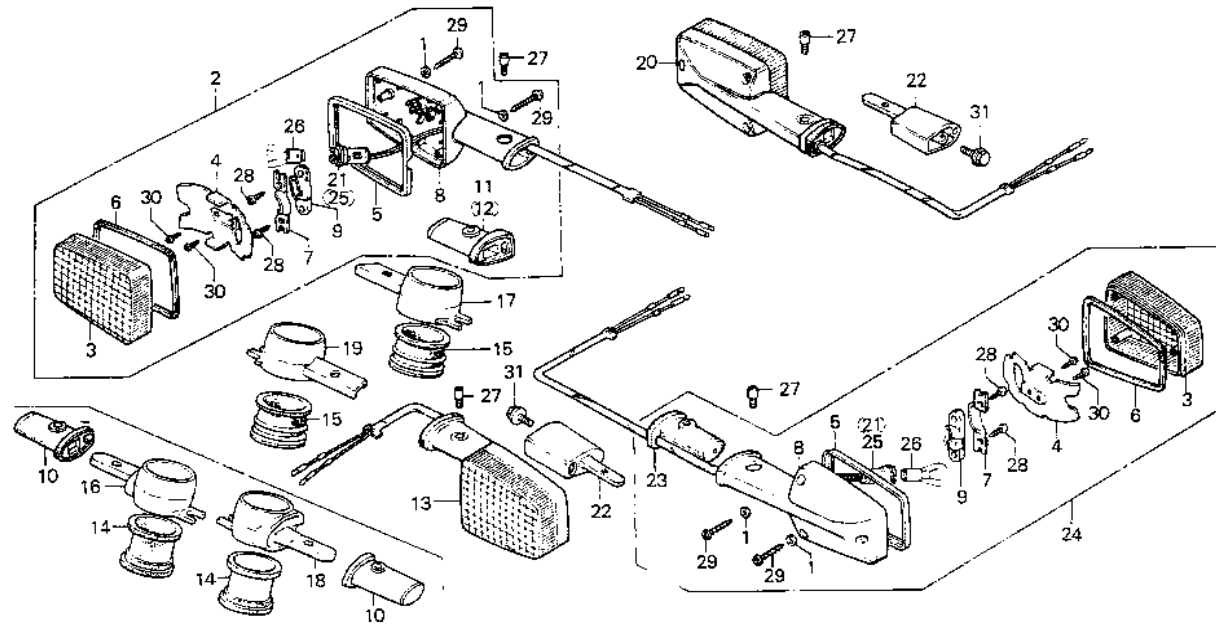
F-26-1

**Winker
(DK,DM,SA,U)**

**Clignotant
(DK,DM,SA,U)**

**Blinker
(DK,DM,SA,U)**

**Luz intermitente
(DK,DM,SA,U)**



B438-35A

Service item	F.R.T.	Ref. No.	Part No.	Description	Reqd. No.		Serial No.	Area code
					CB900	Fz FA		
		27	90380-431-780	SCREW, DVAL, 5X8	4	4		DK, DM, SA, U
		28	93901-24120	SCREW, TAPPING, 4X8	8	8		DK, DM, SA, U
		29	93901-24680	SCREW, TAPPING, 4X25	12	12		DK, DM, SA, U
		30	93901-32020	SCREW, TAPPING, 3X6	8	8		DK, DM, SA, U
		31	95700-06012-00	BGLT, FLANGE, 6X12	2	2		DK, DM, SA, U



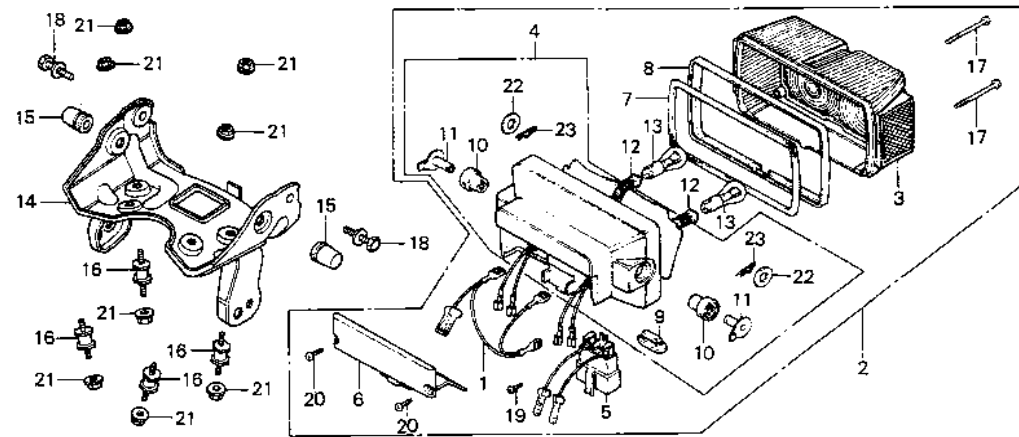
F-27

Taillight

Feu arrière

Rücklicht

Luz trasera



B438-36

Service item	F.R.T.	Ref. No.	Part No.	Description	Reqd. No.		Serial No.	Area code
					CB900	Fz Fa		
TAILLIGHT UNIT	0.2	1	32101-422-003	CORD COMP., EARTH	1	1		
COUPLER COMP.		2	33701-422-603	TAILLIGHT UNIT (12V 21/5W)	1	1		E,ED,F
BASE COMP., TAILLIGHT	0.3		33701-422-614	TAILLIGHT UNIT (12V 21/5W)	1	1		G
COVER, TAILLIGHT	0.1		33701-438-681	TAILLIGHT UNIT	1	1		DK,DM,SA,U
BULB, STOP & TAILLIGHT		3	33702-422-601	LENS B, TAILLIGHT	1	1		E,ED,F
STAY, TAILLIGHT	0.4		33702-422-612	LENS A, TAILLIGHT	1	1		G
			33702-438-681	LENS, TAILLIGHT	1	1		DK,DM,SA,U
		4	33703-422-603	BASE COMP., TAILLIGHT	1	1		E,ED,F,G
			33703-422-673	BASE COMP., TAILLIGHT	1	1		DK,DM,SA,U
		5	33704-422-003	COUPLER COMP.	1	1		
		6	33708-422-003	COVER, TAILLIGHT	1	1		
		7	33709-422-003	PACKING, TAILLIGHT LENS	1	1		
		8	33710-422-003	RIM, TAILLIGHT	1	1		
		9	33711-422-013	RUBBER, SETTING	1	1		
		10	33713-422-013	RUBBER B, MOUNTING	2	2		
		11	33715-422-013	COLLAR, TAILLIGHT MOUNTING	2	2		

K 7

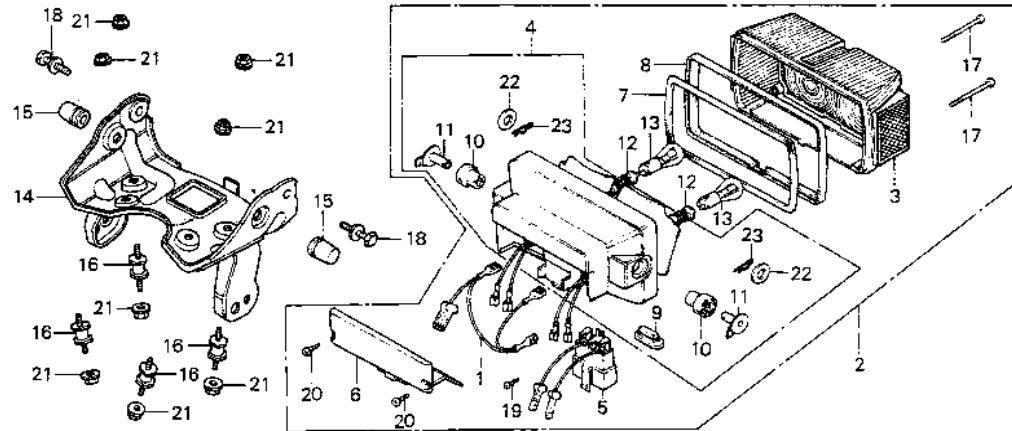
F-27

Taillight

Feu arrière

Rücklicht

Luz trasera



5438-36

Service item	F.R.T.	Ref. No.	Part No.	Description	Reqd. No.		Serial No.	Area code
					CB900	Fz FA		
		12	33718-422-003	CORD COMP., TAILLIGHT	2	2		
		13	34906-313-671	BULB, STOP & TAILLIGHT	2	2		DK, DM, SA, U
			34911-634-611	BULB (12V21/5W) (LOCAL PROCUREMENT PART)	2	2		E, ED, F, G
		14	80103-438-610	STAY, TAILLIGHT	1	1		
		15	84104-422-000	RUBBER, RR. COWL CUSHION	2	2		
		16	85201-438-000	RUBBER, OIL COOLER-MOUNTING	4	4		
		17	90147-147-671	SCREW, TAPPING, 4X60	4	4		
		18	93495-06020-07	BOLT-WASHER, 6X20	2	2		
		19	93901-22110	SCREW, TAPPING,	1	1		
		20	93901-24210	SCREW, TAPPING,	2	2		
		21	94050-06000	NUT, FLANGE, 6MM	8	8		
		22	94103-08800	WASHER, PLAIN, 8"	2	2		
		23	94251-08000	PIN, LOCK, 8MM	2	2		

1979.10.20

K7



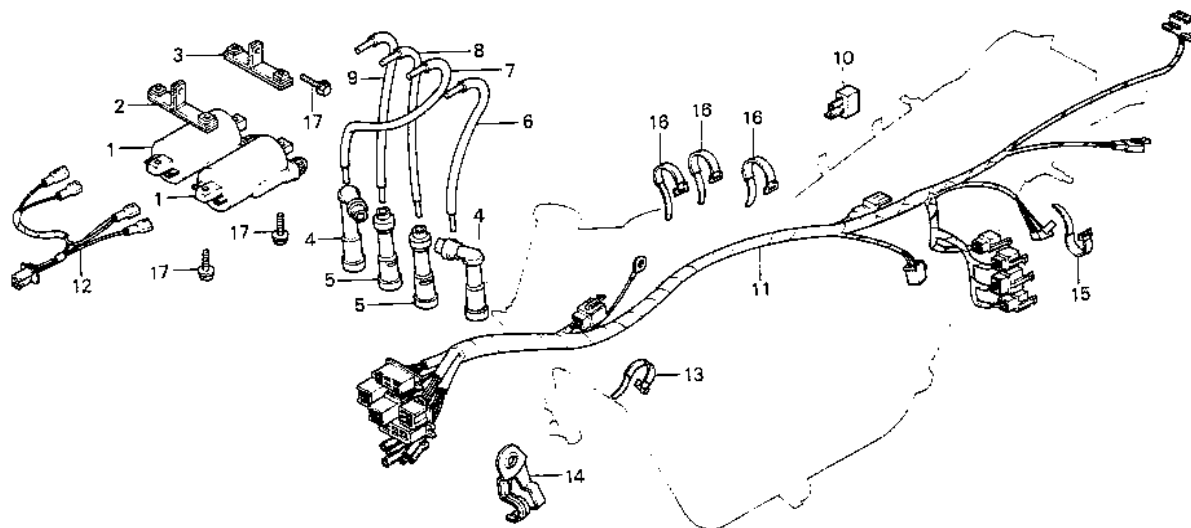
F-28

Wire harness • Ignition coil

Faisceau électrique •
Bobine d'allumage

Kabelbaum • Zündspule

Equipo de alambre •
Bobina de encendido



B438-37

Service item	F.R.T.	Ref. No.	Part No.	Description	Reqd. No.		Serial No.	Area code
					CB900	Fz Fa		
COIL ASSY., IGNITION (ONE OR ALL)	0.3	1	30500-422-003	COIL ASSY., IGNITION	2	2		
		2	30501-425-000	STAY, IGNITION COIL	1	1		
CORD, HIGH TENSION (ONE OR ALL)	0.2	3	30502-425-770	STAY, IGNITION COIL		1		
			30501-425-300	STAY, IGNITION COIL	1			
RECTIFIER ASSY., SILICON	2.0	4	30700-390-153	CAP ASSY. C, NOISE SUPPRESSOR	2	2		
		5	30710-405-153	CAP ASSY. B, NOISE SUPPRESSOR	2	2		
HARNESS A, SUB WIRE HARNESS, WIRE		6	30751-425-000	CORD, HIGH TENSION (1-1)	1	1		
		7	30752-425-000	CORD, HIGH TENSION (2-4)	1	1		
		8	30753-425-000	CORD, HIGH TENSION (3-2)	1	1		
		9	30754-425-000	CORD, HIGH TENSION (4-3)	1	1		
		10	31700-124-003	RECTIFIER ASSY., SILICON (STANLEY)	1	1		
			31700-124-008	RECTIFIER ASSY., SILICON (SHINDENGEN)	1	1		
		11	32100-438-000	HARNESS, WIRE	1	1		
		12	32101-425-000	HARNESS A, SUB WIRE	1	1		
		13	32161-367-690	BAND, WIRE	1	1		

K 9

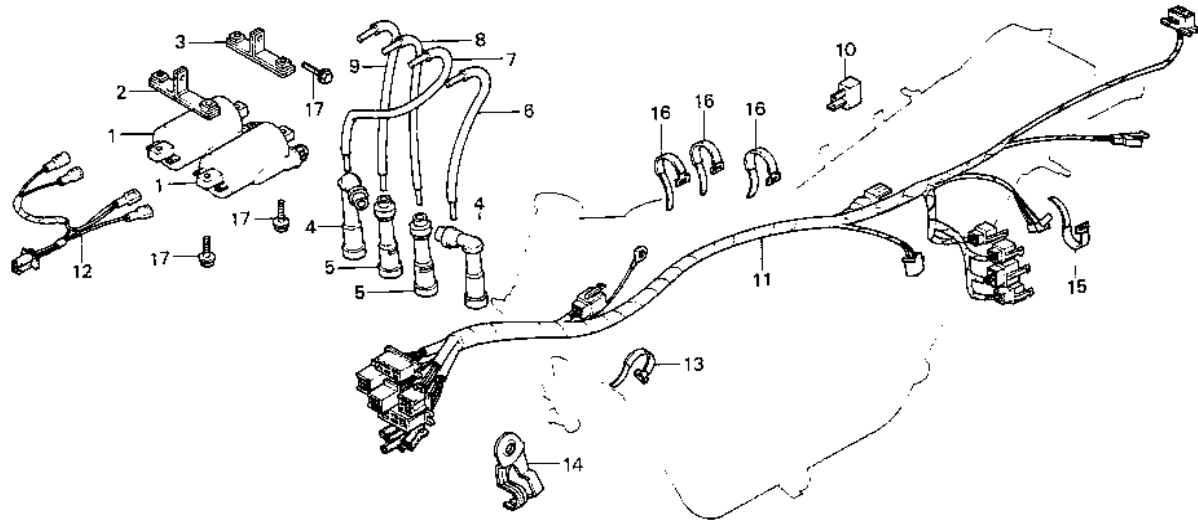
F-28

Wire harness • Ignition coil

Faisceau électrique •
Bobine d'allumage

Kabelbaum • Zündspule

Equipo de alambre •
Bobina de encendido



B438-37

Service item	F.R.T.	Ref. No.	Part No.	Description	Reqd. No.		Serial No.	Area code
					CB900	Fz FA		
		14	32174-438-000	HOLDER, WIRE HARNESS	1	1		
		15	95014-61100	BAND A1, WIRE	1	1		
		16	95014-61200	BAND A2, WIRE	3	3		
		17	95700-06016-00	BOLT, FLANGE, 6X16	6	6		

1979.10.20

K9

K 10

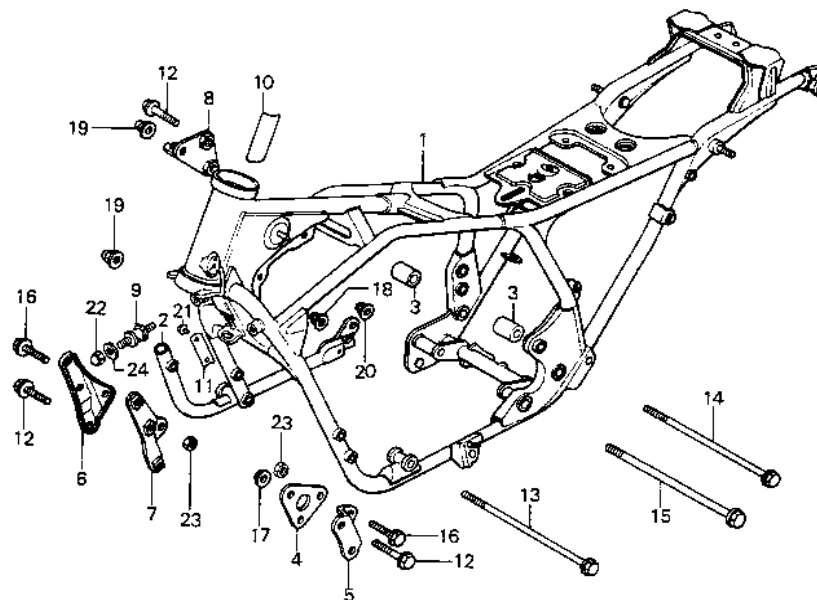
F-29

Frame body

Cadre

Rahmen

Cuerpo de cuadro



B438-38

Service item	F.R.T.	Ref. No.	Part No.	Description	Reqd. No.		Serial No.	Area code
					CB900	Fz FA		
BODY COMP., FRAME PIPE, JOINT	*8.7	1	50100-438-000ZA	BGDY COMP., FRAME *NH-1*	1			E,ED,F,G
	0.6		50100-438-650ZA	BGDY COMP., FRAME *NH-1*	1			U
			50100-438-680ZA	BGDY COMP., FRAME *NH-1*	1			DK,DM,SA
			50100-438-010ZA	BGDY COMP., FRAME *NH-1*		1		E,ED,F,G
			50100-438-651ZA	BGDY COMP., FRAME *NH-1*		1		U
			50100-438-681ZA	BGDY COMP., FRAME *NH-1*		1		DK,DM,SA
		2	50122-425-020	PIPE, JOINT	1	1		
		3	50327-425-000	COLLAR, R. ENGINE MOUNTING	2	2		
		4	50351-438-000	PLATE, FR. ENGINE HANGER	1	1		
		5	50352-438-000	PLATE, L. FR. ENGINE HANGER	1	1		
		6	50353-438-000	PLATE B, ENGINE HANGER	1	1		
		7	50354-438-000	PLATE A, ENGINE HANGER	1			
			50354-438-010	PLATE A, ENGINE HANGER		1		

K 11

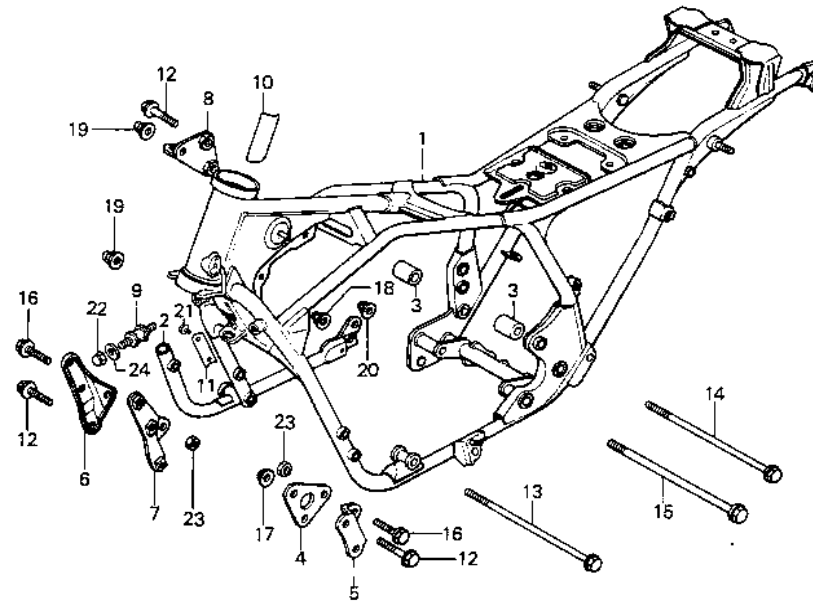
F-29

Frame body

Cadre

Rahmen

Cuerpo de cuadro



B438-38

Service item	F.R.T.	Ref. No.	Part No.	Description	Reqd. No.		Serial No.	Area code
					CB900	Fz FA		
		8	50356-425-010	BRACKET, KP. ENGINE HANGER	1	1		
		9	85201-438-000	RUBBER, OIL COOLER MOUNTING	2	2		
		10	87125-041-680	PLATE, NAME	1	1		DK, DM, SA
		11	87501-438-611	PLATE, REGISTERED NUMBER	1	1		E, ED, F, G
		12	90016-438-000	BOLT, SPECIAL FLANGE, 8X62	7	7		
		13	90152-438-000	BOLT, ENGINE HANGER, 10X325	1	1		
		14	90156-438-000	BOLT, ENGINE HANGER, 10X280	1	1		
		15	90157-438-000	BOLT, ENGINE HANGER LOWER, 12X365	1	1		
		16	90158-438-000	BOLT, SPECIAL FLANGE, 10X50	2			
			90159-438-000	BOLT, SPECIAL FLANGE, 10X60	2	2		
		17	90202-425-870	NUT, FLANGE, 8MM	2	2		

K 12

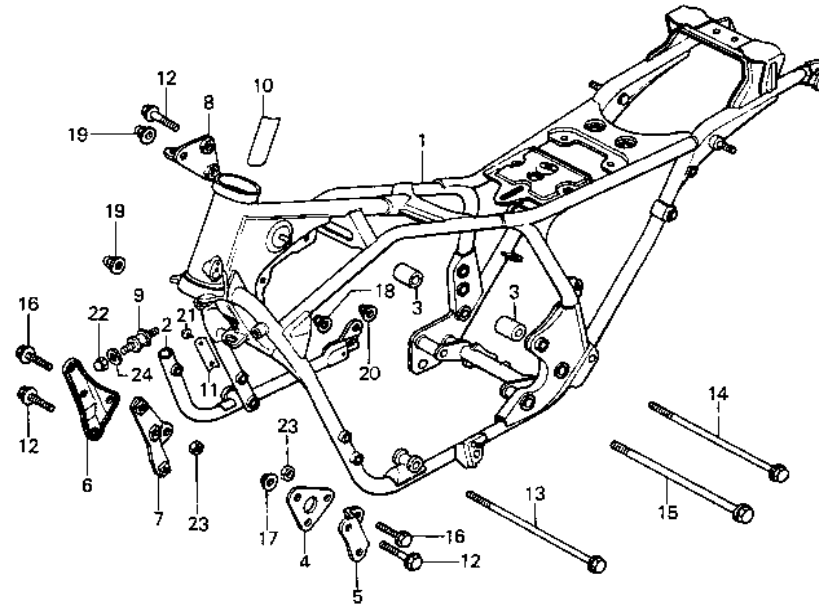
F-29

Frame body

Cadre

Rahmen

Cuerpo de cuadro



B43B-38

Service item	F.R.T.	Ref. No.	Part No.	Description	Reqd. No. CB900 Fz FA	Serial No.	Area code
		18	90208-438-000	NUT, FLANGE CAP, 8MM	2 2		
		19	90210-438-000	NUT, FLANGE CAP, 10MM	2 2		
		20	90212-438-000	NUT, FLANGE CAP, 12MM	1 1		
		21	90841-001-000	SCREW, RIVET, 1.5X5	2 2		E,ED,F,G
		22	94021-06070	NUT, CAP, 6MM	2 2		
		23	94030-10000	NUT, HEX., 10MM	2 2		
		24	94101-06700	WASHER, PLAIN, 6MM	2 2		

1979.10.20

K12

K 13

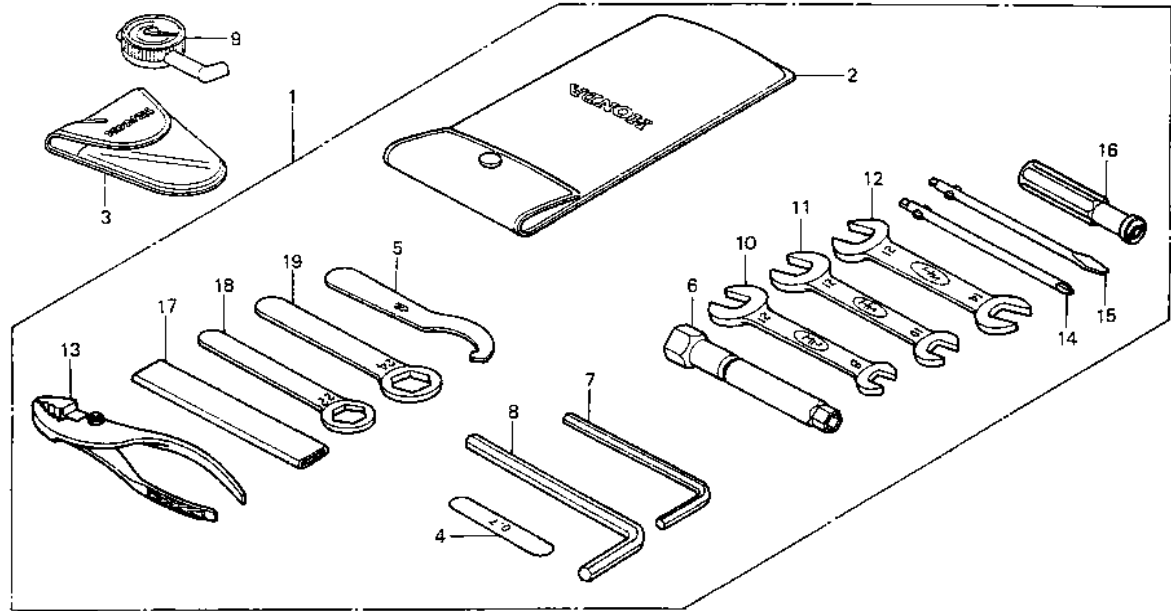
F-30

Tool

Outils

Werkzeug

Herramientas



B438-38A

Service item	F.R.T.	Ref. No.	Part No.	Description	Reqd. No.		Serial No.	Area code
					CB900	Fz FA		
		1	89010-438-000	TOOL SET	1	1		
		2	89101-300-010	BAG, TOOL	1	1		
		3	89102-469-003	BAG, AIR PRESSURE GAUGE		1		
		4	89103-371-000	GAUGE, FEELER, 0.7	1	1		
		5	89215-404-670	SPANNER, PIN	1	1		
		6	89216-438-000	WRENCH, PLUG	1	1		
		7	89221-371-000	WRENCH, HEX., 6MM	1	1		
		8	89222-371-000	WRENCH, HEX., 8MM	1	1		
		9	89301-469-003	GAUGE, AIR PRESSURE		1		
		10	99001-08120	SPANNER, 8X12	1	1		
		11	99001-10120	SPANNER, 10X12	1	1		
		12	99001-14170	SPANNER, 14X17	1	1		
		13	99002-13500	PLIERS, 135	1	1		
		14	99003-10000	DRIVER 2, PLUS SCREW	1	1		
		15	99003-30000	DRIVER 2, MINUS SCREW	1	1		

K 14

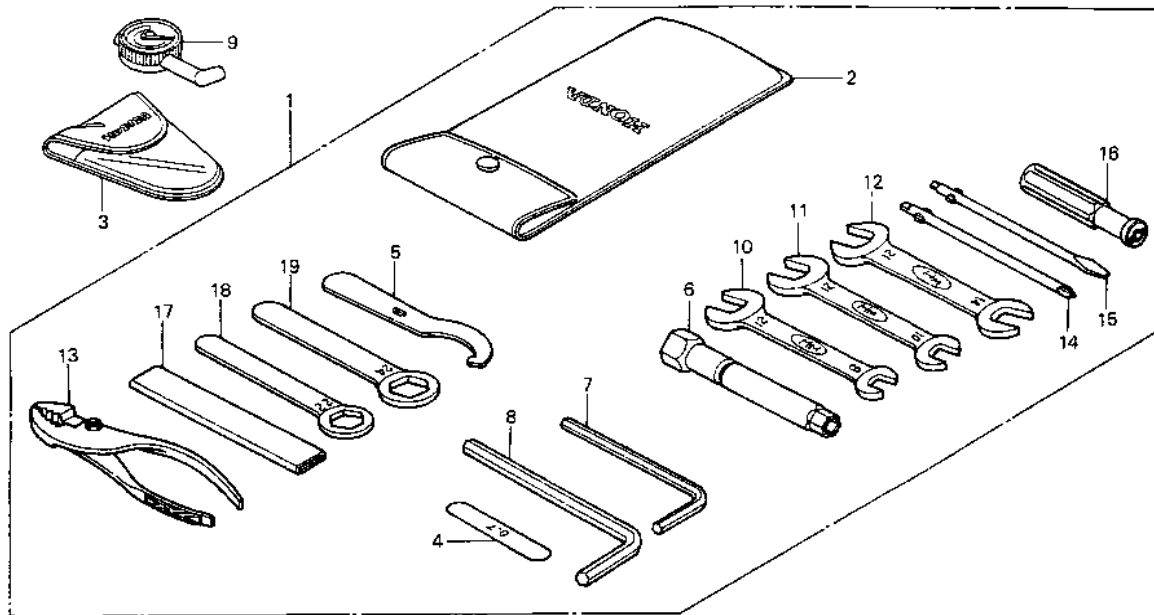
F-30

Tool

Outils

Werkzeug

Herramientas



B438-39A

Service item	F.R.T.	Ref. No.	Part No.	Description	Reqd. No.		Serial No.	Area code
					CB900	Fz FA		
		16	99003-50000	GRIP	1	1		
		17	99006-12000	HANDLE, EYE WRENCH, 120MM	1	1		
		18	99006-22000	WRENCH, EYE, 22MM	1	1		
		19	99006-24000	WRENCH, EYE, 24MM	1	1		

Part No.	Address No.	N° de pièce	N° de Adresse	Teile-Nr	Adresse-Nr.	No. de pieza	No. de direccion					
			33117-001-023	F2	33650-438-681	K4	37221-438-008	F7	42650-422-305	H8	44620-410-000	G14
				F5	33650-438-691	K4	37243-323-000	J2	42650-422-315	H8		G16
			33119-371-003	F2	33655-431-781	K4	37244-422-000	F7	42650-445-770	H11	44643-300-000	G14
			33120-371-601	F2	33701-422-603	K6	37250-422-008	F7	42705-410-000	G14		G16
			33120-371-611	F2	33701-422-614	K6	37250-422-601	F7		G16	44650-422-305	G14
			33120-375-003	F5	33701-438-681	K6	37250-422-761	F7		H9	44650-422-315	G14
			33121-405-671	F2	33702-422-601	K6	37260-438-000	F7		H12	44650-445-771	G16
			33128-292-670	F2	33702-422-612	K6	37261-438-000	F7	42706-410-000	G14	44680-410-000	G14
				F5	33702-438-681	K6	37600-438-008	F7		G16		G16
			33153-422-003	F3	33703-422-603	K6	37610-438-008	F7		H9	44710-438-003	G14
			33170-323-003	F5	33703-422-673	K6	37617-438-008	F7		H12		G16
			33170-390-611	F3	33704-422-003	K6	37619-438-008	F8	42710-438-003	H9	44710-438-004	G14
			33180-422-003	F3	33708-422-003	K6			42710-438-004	H9		G16
			33318-567-003	J15	33709-422-003	K6	38000		42710-438-711	H12	44800-425-013	G14
				K2	33710-422-003	K6			42710-438-712	H12		G16
				J15	33711-422-013	K6	38102-438-004	G2	42753-634-003	G14	44830-356-010	F8
			33400-438-601	J15	33713-422-013	K6	38106-410-004	G2		G16	44831-356-000	F8
			33400-438-602	J15	33715-422-013	K6	38110-438-004	G2		H9		
			33400-438-681	K2	33718-422-003	K7	38111-438-000	G2		H12	45000	
			33400-438-691	K2	33718-422-003	K7	38120-438-004	G2	42753-671-962	G14		
			33401-438-601	J15	33741-413-003	F3	38200-422-005	F15		G16	45100-438-006	G11
			33402-425-601	J15		F5	38210-422-000	F15		H9	45100-438-007	G11
			33402-431-782	J15	33741-415-601	J13	38215-438-300	F15		H12	45100-445-771	G11
				K2	33743-425-600	F3	38215-438-620	F15			45100-445-772	G11
			33403-425-003	K2		F5	38301-404-611	I5	43000		45101-410-006	G11
			33404-438-003	J15	33905-371-601	F3	38301-404-612	I5			45105-415-772	H6
				K2			38301-415-004	I5	43100-438-006	H5	45105-438-000	G11
			33406-431-781	J15	34000		38306-404-612	I5	43100-438-007	H5		G11
				K2			38306-438-000	I5	43100-445-771	H5	45105-438-004	G11
			33407-431-781	K2	34901-371-601	F3			43101-445-771	H6		H5
			33409-438-003	K2	34901-371-621	F3			43107-445-771	H6	45105-438-007	G11
			33411-431-782	K2	34902-259-000	F7	40000		43110-410-006	H5		H6
			33417-438-000	J15	34903-071-003	F5			43112-410-006	H5	45107-410-006	G11
				K2	34903-388-611	F3	40510-425-010	J8	43121-422-000	H9		H6
			33418-438-000	J15	34905-268-671	K4	40510-438-000	J8		H12	45108-410-006	G12
				K2	34906-313-671	K7			43140-410-000	H5		H6
			33419-438-000	J15	34908-634-611	K1	40535-438-611	J8	43209-371-006	G11	45108-415-006	H6
				K2	34911-634-611	K7	40535-438-621	J8		H5	45109-371-006	G12
				J15			40535-438-622	J10		H5		G12
			32100-438-000	K8	35010-438-610	F15	40535-438-651	J10	43218-371-006	G11		H6
			32101-422-003	K6	35010-438-680	F15	40543-438-000	H8		H5	45110-422-006	G12
			32101-425-000	K8	35010-438-680	F15	40548-268-000	J8	43310-438-013	H2	45112-410-006	G12
			32101-438-000	G2	35100-438-007	F15			43310-445-771	H2	45114-371-006	G12
			32116-425-000	D3	35100-438-601	F15	41000		43352-568-003	G11	45116-371-006	G12
			32116-425-000	D3	35150-425-602	F9				H5		H6
			32161-367-690	K8	35200-438-601	F9	41200-438-000	H8	43353-548-003	G11	45119-371-000	G12
			32173-369-000	F2	35210-438-000	F15				H5		H6
				F5	35211-438-000	F15	41231-286-000	H8		H5	45125-438-003	F12
			32174-438-000	K9	35330-413-003	F9			43435-392-000	H5	45125-438-013	F12
			32401-425-000	I4	35340-422-003	F12	41231-422-000	H8	43500-438-611	H2	45126-438-013	F12
			32402-425-000	I4	35350-438-000	I16			43500-438-612	H2	45126-438-023	F12
			32411-253-000	I4	35357-425-610	I16	41241-422-000	H8	43500-438-651	H2	45127-422-003	F12
			32412-425-000	I4	35500-333-014	D6			43500-438-652	H2	45131-410-006	G12
			32414-425-000	I4	35600-425-003	D7			43503-422-006	H2		H6
			32415-425-000	I4	35610-425-000	D7	42000		43504-371-013	H2	45132-410-006	G12
			32416-425-000	I4	35850-425-007	I4			43511-422-006	H2		H6
			32601-425-000	I10	35851-425-010	I4	42301-422-000	H8	43512-438-006	H2	45133-371-006	G12
			32906-049-000	G11	35852-425-007	I4			43513-410-003	H2		H6
			32921-115-000	D10	35853-425-300	I4	42311-422-000	H8	43513-469-611	H3	45200-438-006	G12
				D11	35853-425-720	I5			43514-445-771	H2	45200-438-007	G12
			33600-438-601	K1	35856-425-000	I5	42313-422-000	H8	43515-438-000	H2	45200-445-771	G12
			33600-438-602	K1					43520-422-305	H2	45200-445-772	G12
			33600-438-681	K4					43530-422-006	H3	45201-410-006	G13
			33600-438-681	K4						H8		H6
			33600-438-691	K4						H11		G12
			33605-431-781	K4						H8	45200-438-000	G12
			33605-438-000	K1						H11	45200-445-771	G12
				K4						H8	45200-445-772	G12
			33609-425-000	K1						H11	45201-410-006	G13
				K4						H8		H6
			33650-438-601	K1						H11	45210-422-006	G13
			33650-438-602	K1	37114-422-008	F7	42605-393-000	H8	44000		45210-422-000	G14
					37115-422-008	F7				H8		G14
					37200-422-611	F7	42605-393-000	H8	44301-422-000	G14		G16
					37200-422-671	F7				G16	45451-367-690	G5
					37220-422-008	F7	42610-422-000	H8	44311-410-000	G14	45500-438-611	F12
							42610-445-770	H11		G16	45500-438-612	F12
							42620-422-010	H8				

Part No.	Address No.	N° de pièce	N° de Adresse	Teile-Nr	Adresse-Nr.	No. da pieza	No. de direccion
						50523-425-000	J6
						50526-300-000	J6
						50527-425-000	J6
						50540-438-000	J6
						50541-445-010	J6
						50542-438-000	J6
						50543-438-000	J6
						50548-356-700	J6
						50548-438-000	J7
						50549-356-700	J7
						50549-438-000	J7
						50610-438-610	J2
						50610-438-611	J2
						50612-438-000	J2
						50617-438-000	J2
						50618-438-000	J2
						50619-425-010	J2
						50620-438-000	J2
						50621-438-000	J2
						50628-438-000	J2
						50630-438-000	J2
						50640-438-610	J3
						50640-438-611	J3
						50642-438-000	J3
						50661-425-670	J3
						50710-371-007	I2
						50710-405-000	J3
						50711-438-000	J3
						50713-438-000	J3
						50714-438-000	J3
						50715-438-000	J3
						50716-438-000	J3
						50717-438-000	J3
						51000	
						51400-438-003	G6
						51400-438-711	G8
						51401-438-003	G6
						51410-422-013	G6
						51410-469-013	G8
						51412-340-000	G6
						51412-422-003	G6
						51413-469-003	G8
						51414-469-003	G8
						51415-469-003	G8
						51421-438-003	G6
						51421-469-003	G8
						51432-371-003	G6
						51437-400-771	G6
						51440-425-003	G6
						51440-469-013	G8
						51447-469-003	G8
						51454-422-003	G6
						51454-469-003	G8
						51456-469-003	G8
						51457-469-000	G9
						51466-375-000	G6
						51500-438-003	G6
						51500-438-711	G9
						51521-438-003	G6
						51521-469-003	G9
						51634-410-003	G6
						52000	
						52100-438-000ZA	J8
						52100-445-770ZA	J10
						52108-422-300	J8
						52108-425-831	J10
						52108-425-832	J10
						52109-425-831	J10
						52136-405-000	J8
						52141-422-020	J8
						52141-425-830	J10
						52144-362-000	J8
						52144-425-831	J10
						52400-438-611	J12
						52400-438-711	J12
						52401-438-611	J12
						52402-422-611	J12
						52410-438-611	J12
						52410-469-003	J12
						52422-422-003	J12
						52450-422-611	J12
						52451-357-000	J10
						52451-422-611	J12
						52484-292-000	J12
						52758-438-300	J12
						52759-422-300	J12
						53000	
						53100-438-610	F15
						53105-438-000	F15
						53110-438-000	F15
						53141-422-000	F9
						53150-438-610	F16
						53165-422-000	F9
						53166-422-000	F9
						53170-422-010	F9
						53175-438-000	F13
						53178-422-010	F10
						53180-422-010	F10
						53192-422-000	F10
						53200-438-610	G2
						53200-438-611	G2
						53200-438-680	G2
						53200-445-000	G2
						53208-438-000	G2
						53214-371-010	G2
						53220-422-000	G2
						53223-371-010	G2
						53230-422-000	F16
						53230-469-000	F16
						53600-404-610	G3
						53603-051-000	G3
						53604-098-940	G3
						61000	
						61100-438-000ZA	G5
						61100-438-000ZA	G5
						61100-438-000ZC	G5
						61100-438-000ZD	G5
						61100-438-010ZA	G5
						61100-438-010ZB	G5
						61100-438-010ZC	G5
						61100-438-020ZA	G5
						61100-438-020ZB	G5
						61100-438-020ZC	G5
						61100-438-020ZD	G5
						61100-438-020ZE	G5
						61100-438-020ZF	G5
						61100-438-020ZG	G5
						61100-438-020ZH	G5
						61100-438-020ZI	G5
						61100-438-020ZJ	G5
						61100-438-020ZK	G5
						61100-438-020ZL	G5
						61100-438-020ZM	G5
						61100-438-020ZN	G5
						61100-438-020ZO	G5
						61100-438-020ZP	G5
						61100-438-020ZQ	G5
						61100-438-020ZR	G5
						61100-438-020ZS	G5
						61100-438-020ZT	G5
						61100-438-020ZU	G5
						61100-438-020ZV	G5
						61100-438-020ZW	G5
						61100-438-020ZX	G5
						61100-438-020ZY	G5
						61100-438-020ZZ	G5
						61302-425-000	F3
						61303-425-010	F3
						61304-292-000	F3
						61311-438-000	F3
						61313-438-000	F4
						61316-438-000	F4
						61302-425-000	F3
						61303-425-010	F3
						61304-292-000	F3
						61311-438-000	F3
						61313-438-000	F4
						61316-438-000	F4
						61302-425-000	F3
						61303-425-010	F3
						61304-292-000	F3
						61311-438-000	F3
						61313-438-000	F4
						61316-438-000	F4
						61302-425-000	F3
						61303-425-010	F3
						61304-292-000	F3
						61311-438-000	F3
						61313-438-000	F4
						61316-438-000	F4
						61302-425-000	F3
						61303-425-010	F3
						61304-292-000	F3
						61311-438-000	F3
						61313-438-000	F4
						61316-438-000	F4
						61302-425-000	F3
						61303-425-010	F3
						61304-292-000	F3
						61311-438-000	F3
						61313-438-000	F4
						61316-438-000	F4
						61302-425-000	F3
						61303-425-010	F3
						61304-292-000	F3
						61311-438-000	F3
						61313-438-000	F4
						61316-438-000	F4
						61302-425-000	F3
						61303-425-010	F3
						61304-292-000	F3
						61311-438-000	F3
						61313-438-000	F4
						61316-438-000	F4

